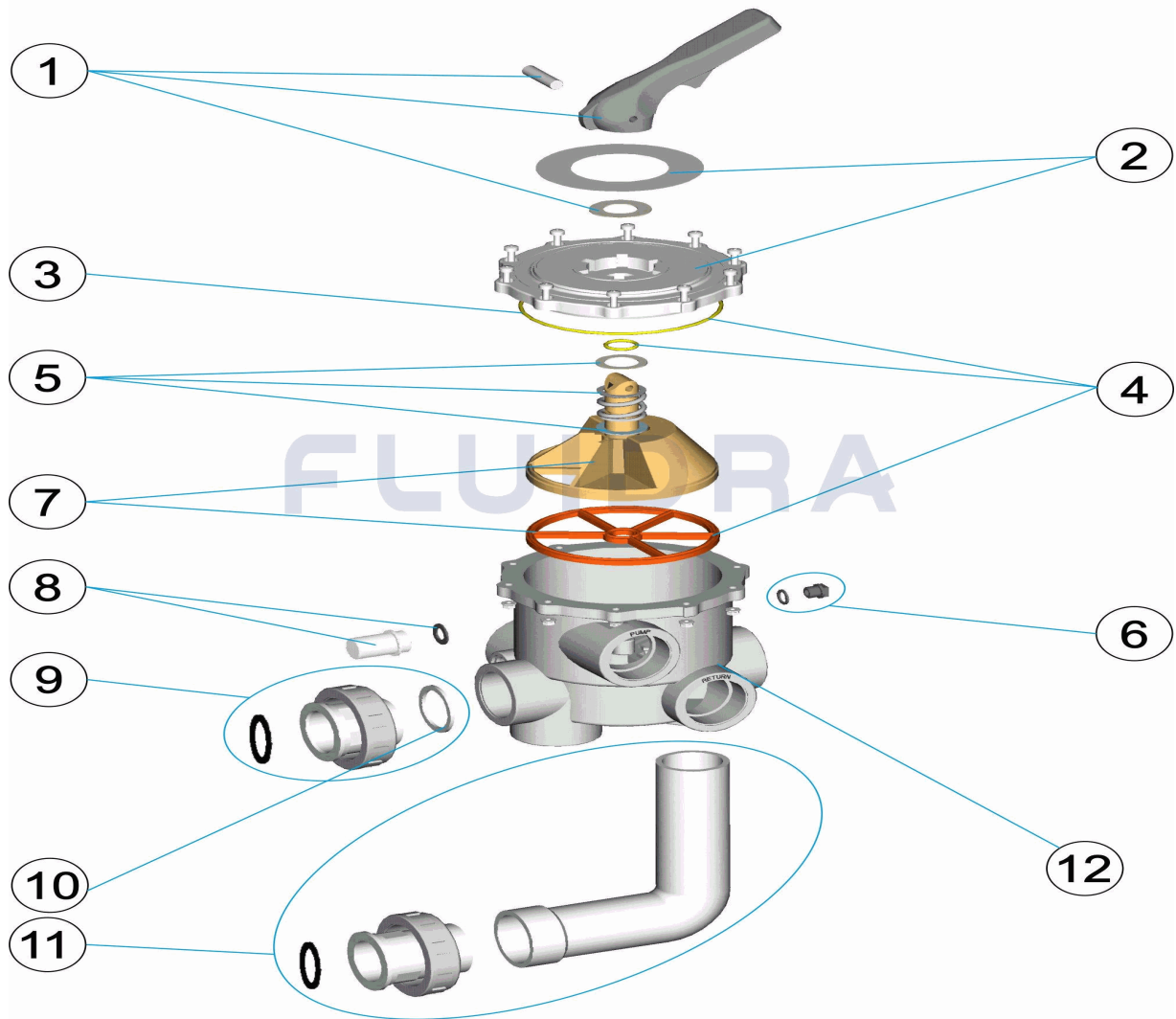


CODIGO PS-6201

DESCRIPCION: VALVULA SELECTORA 1 1/2"

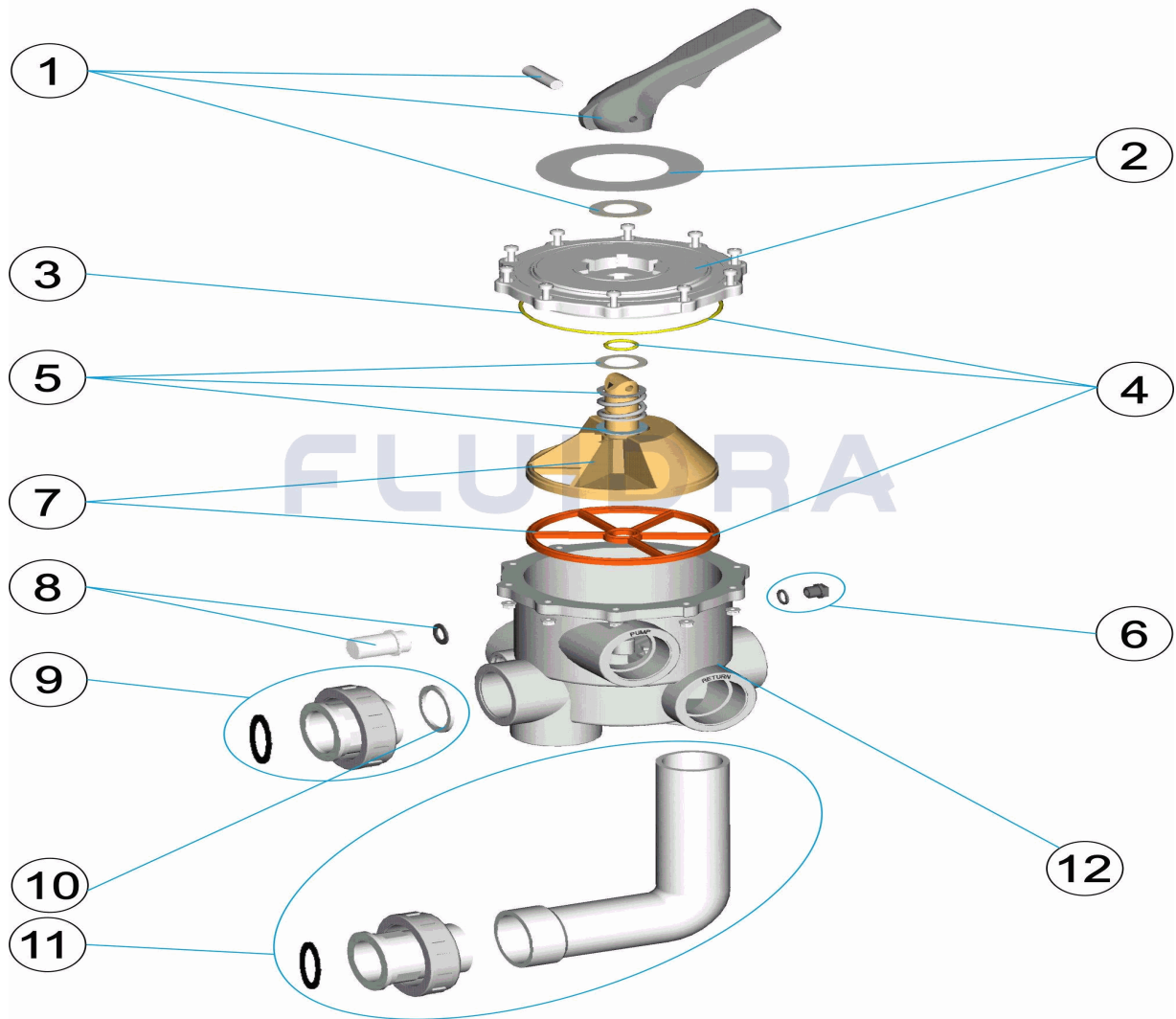


ESPAÑOL

POS	CODIGO	DESCRIPCION	CANTIDAD	POS	CODIGO	DESCRIPCION	CANTIDAD
1	SP-04-0086	MANETA 1 1/2" / AST. / B / NEUTR "		7	SP-04-0043	DISTRIBUIDOR CON JUNTAS 1 1/2' NUEVO	
2	SP-04-0087	TAPA CON CARATULA BLANCA 1 1/2'		8	SP-04-0007	VISOR CON JUNTA	
3	SP-04-0039	JUNTA TORICA TAPA 1 1/2"		9	SP-04-0523	ENLACE RECTO 1 1/2'	
4	SP-04-0040	JUNTAS VALVULA 1 1/2' NUEVA		10	SP-04-0046	JUNTA PLANA 1 1/2"	
5	SP-04-0041	RESORTE CON ARANDELAS		11	SP-04-0089	ENLACE ACODADO BLANCO 1 1/2' NUEVO	
6	SP-04-0044	TAPON 1/4"		12	SP-04-0223	CJTO. CUERPO 1 1/2"	

CODE

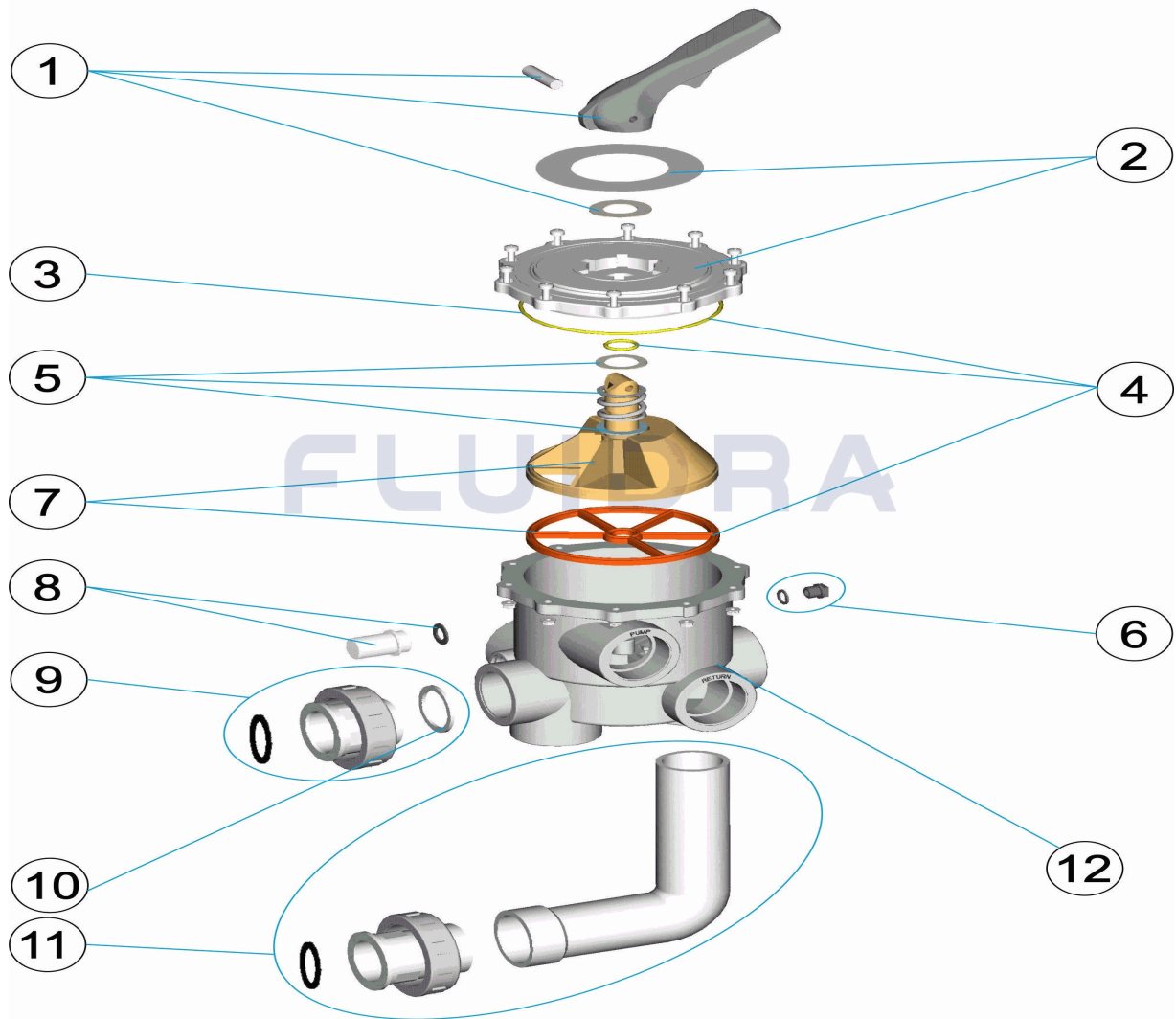
PS-6201

 DESCRIPTION: **SÉLECTEUR 1 1/2"**

FRANCAIS

POS	CODE	DESCRIPTION	QUANTITE	POS	CODE	DESCRIPTION	QUANTITE
1	SP-04-0086	POIGNEE BLANCHE 1 1/2'		7	SP-04-0043	BOISSEAU ET JOINT DE VANNE NOUVEAU	
2	SP-04-0087	COUVERCLE BLANC AVEC INSCRIPTIONS		8	SP-04-0007	VOYANT ET JOINT	
3	SP-04-0039	JOINT TORIQUE COUVERCLE 1 1/2"		9	SP-04-0523	SORTIE DROITE 1 1/2'	
4	SP-04-0040	JOINTS 1 1/2' NOUVEAU MODELE		10	SP-04-0046	JOINT PLAT	
5	SP-04-0041	RESSORT ET RONDELLES		11	SP-04-0089	SORTIE COUDEE BLANCHE 1 1/2'	
6	SP-04-0044	BOUCHON 1/4"		12	SP-04-0223	ENSEMBLE CORPS 1 1/2"	

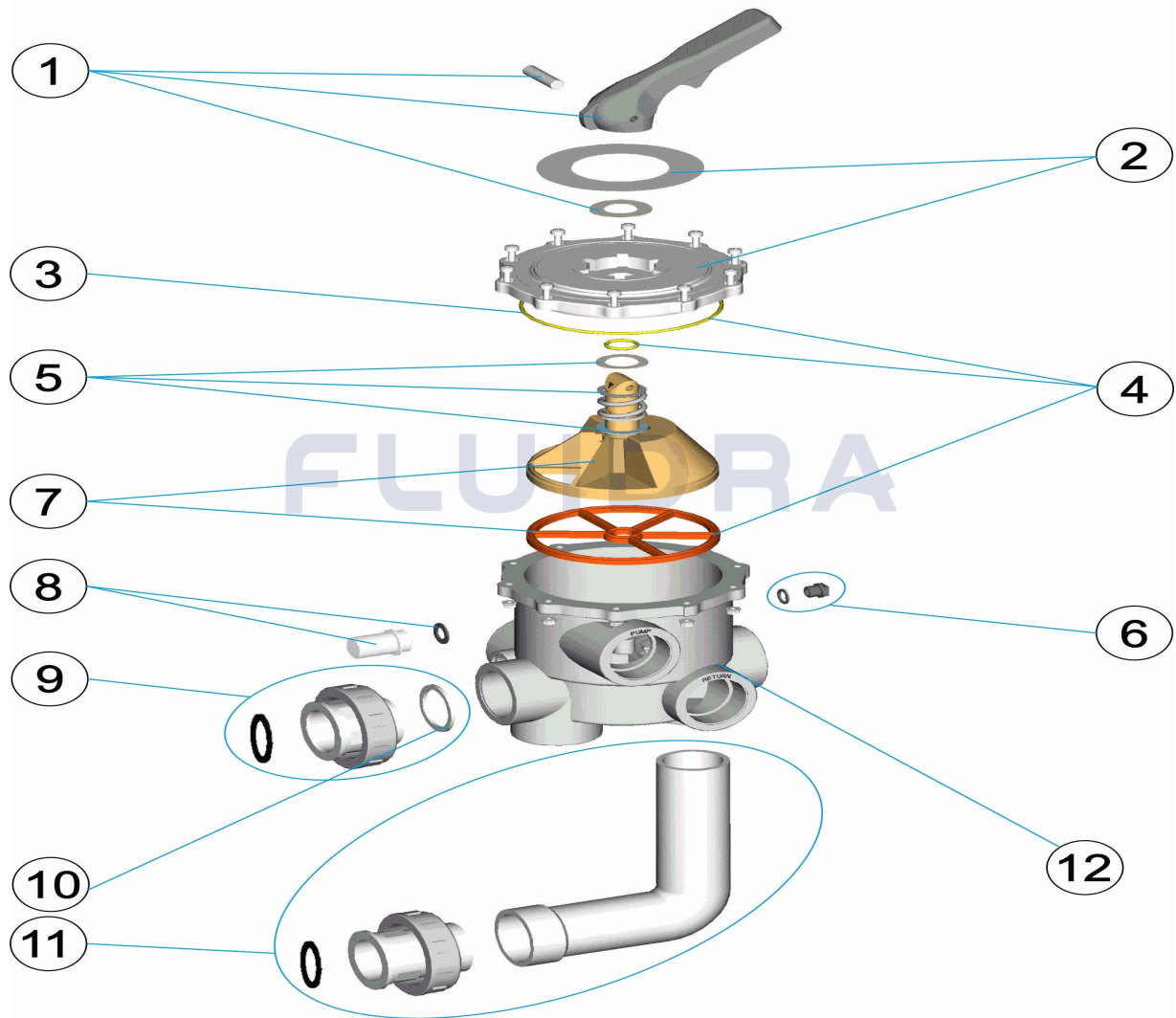
CODE PS-6201

DESCRIPTION: MULTIPORT VALVE 1 1/2"


ENGLISH

POS	CODE	DESCRIPTION	QUANTITY	POS	CODE	DESCRIPTION	QUANTITY
1	SP-04-0086	WHITE HANDLE 1 1/2'		7	SP-04-0043	DISTRIBUTOR WITH GASKETS 1 1/2'	
2	SP-04-0087	WHITE TOP 1 1/2'		8	SP-04-0007	VISOR WITH SEAL	
3	SP-04-0039	1 1/2" LID 'O' RIN "		9	SP-04-0523	UNION 1 1/2'	
4	SP-04-0040	GASKETS NEW VALVE 1 1/2'		10	SP-04-0046	FLAT GASKET	
5	SP-04-0041	SPRING WITH WASHERS		11	SP-04-0089	ELBOW WHITE 1 1/2' NEW	
6	SP-04-0044	CAP 1/4"		12	SP-04-0223	SET BLACK BODY 1 1/2"	

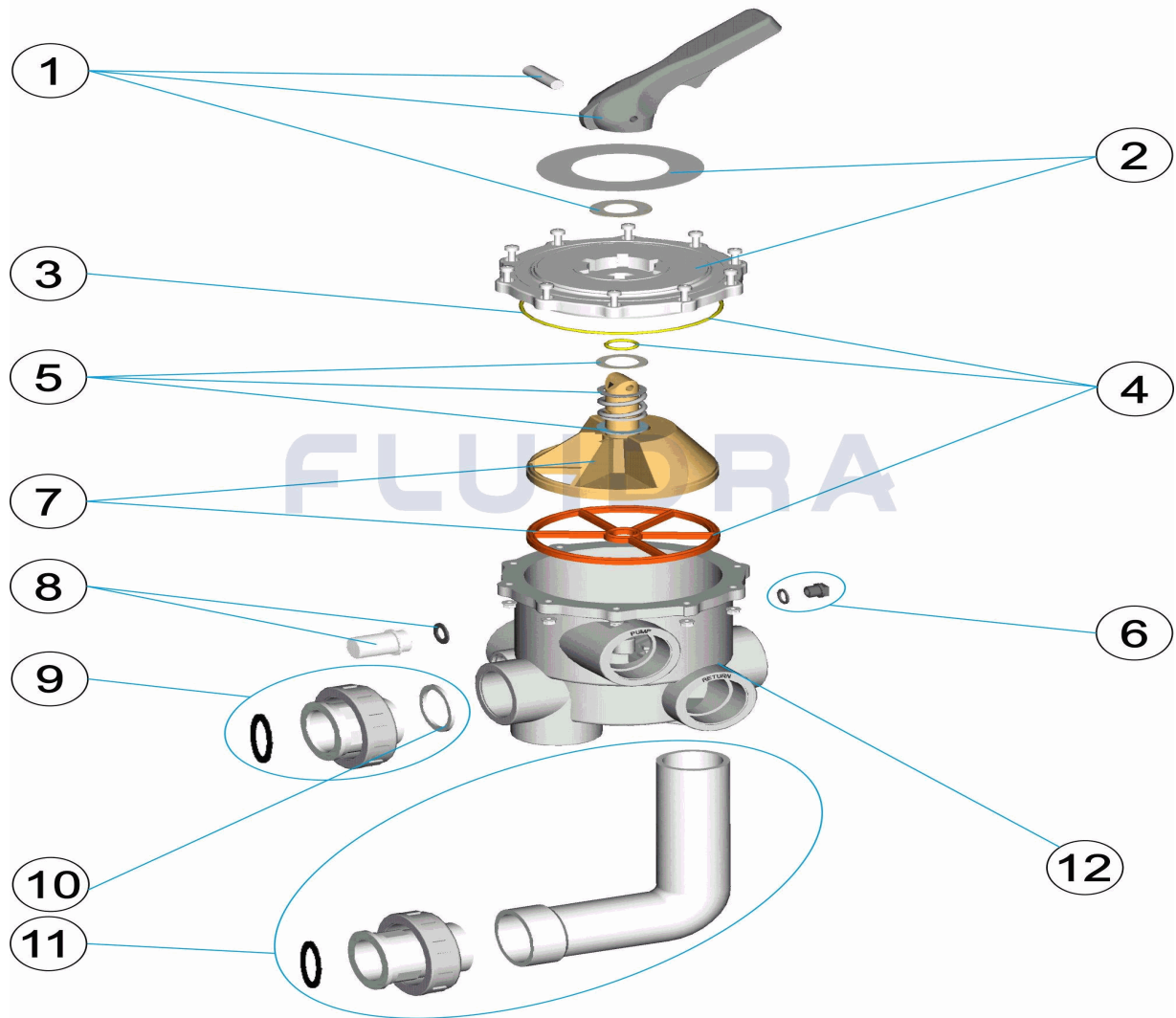
CODICE **PS-6201**

 DESCRIZIONE: **VALVOLA SELETRICE 1 1/2"**

ITALIANO

POS	CODICE	DESCRIZIONE	QUANTITA'	POS	CODICE	DESCRIZIONE	QUANTITA'
1	SP-04-0086	MANIGLIA BIANCA 1 1/2"		7	SP-04-0043	DISTRIBUTORE CON GUARNIZIONI 1 1/2" NI	
2	SP-04-0087	COPERCHIO CON MASCHERA BIANCA 1 1/2"		8	SP-04-0007	VISORE CON GUARNIZIONE	
3	SP-04-0039	O-RING COPERCHIO 1 1/2"		9	SP-04-0523	RACCORDO DIRITTO 1 1/2"	
4	SP-04-0040	GUARNIZIONI VALVOLA 1 1/2' NUOVO		10	SP-04-0046	GUARNIZIONE PIANA	
5	SP-04-0041	MOLLA CON RONDELLA		11	SP-04-0089	RACCORDO A GOMITO BIANCO 1 1/2" NUO	
6	SP-04-0044	TAPPO 1/4"		12	SP-04-0223	KIT CORPO SALETRICE 1 1/2"	

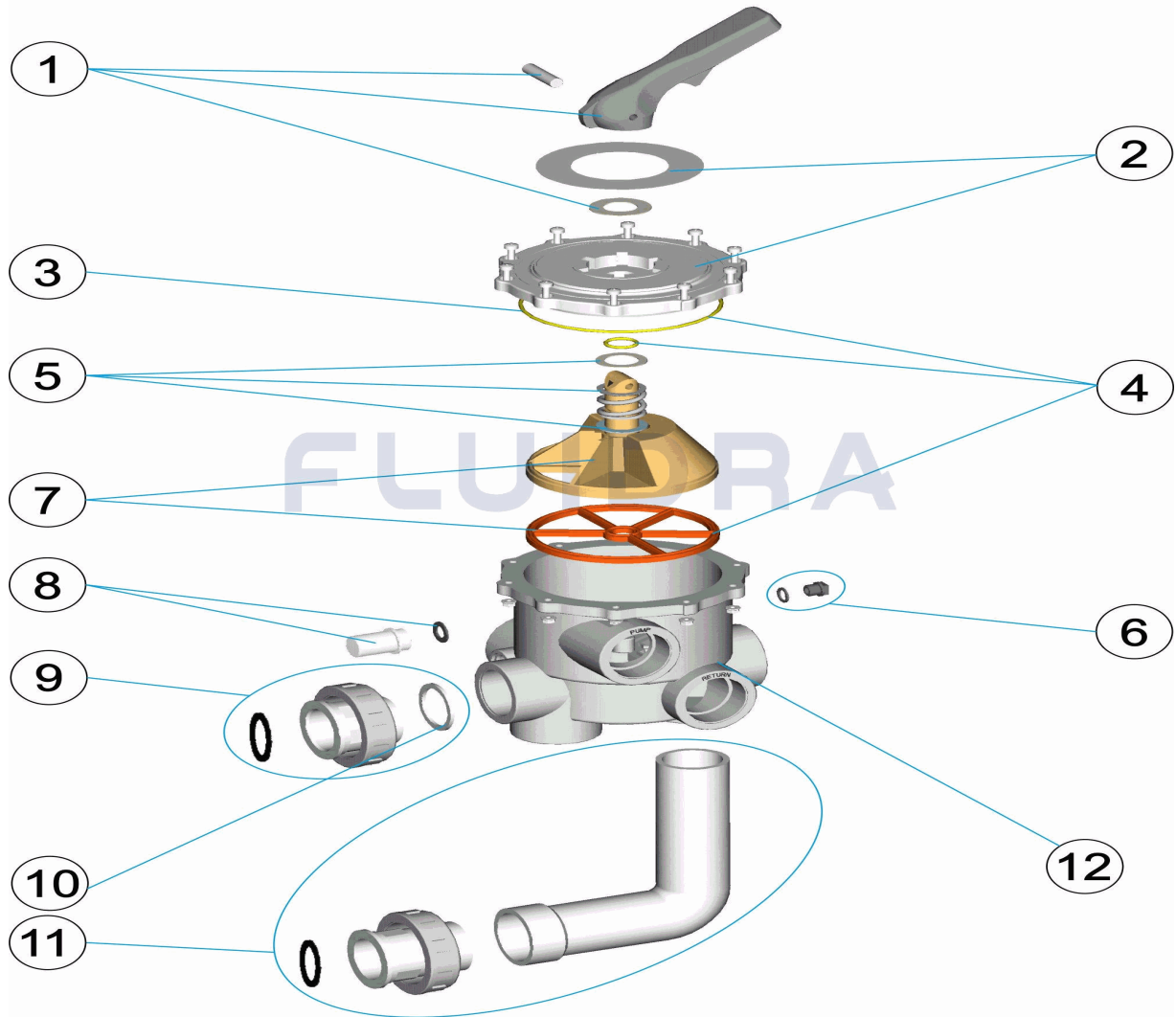
CODE

PS-6201

 BESCHREIBUNG: **MEHRWEGVENTIL 1 1/2"**

DEUTSCH

POS	CODE	BESCHREIBUNG	MENGE	POS	CODE	BESCHREIBUNG	MENGE
1	SP-04-0086	GRIFF 1 1/2" / AST. / B / NEUTRA "		7	SP-04-0043	VERTEILER UND DICHTUNGEN 1 1/2" NEUV	
2	SP-04-0087	ABDECKUNG MIT BEDIENFELD WEISS 1 1/2"		8	SP-04-0007	SCHAUGLAS UND DICHTUNG	
3	SP-04-0039	O-RING ABDECKUNG 1 1/2"		9	SP-04-0523	ANSCHLUSS GERADE 1 1/2"	
4	SP-04-0040	VENTILDICHTUNGEN 1 1/2" NEUVERSION		10	SP-04-0046	FLACHDICHTUNG 1 1/2"	
5	SP-04-0041	FEDER MIT UNTERLEGSCHIEBEN		11	SP-04-0089	ANSCHLUSSWINKEL WEISS 1 1/2" NEUVER	
6	SP-04-0044	STOPFEN 1/4"		12	SP-04-0223	SET GEHÄUSE 1 1/2"	

CODIGO **PS-6201**

 DESCRIÇÃO: **VÁLVULA SELECTORA 1 ½"**

PORTUGUES

POS	CODIGO	DESCRIÇÃO	JANTIDADE	POS	CODIGO	DESCRIÇÃO	JANTIDADE
1	SP-04-0086	MANIPULO BRANCO 1 1/2"		7	SP-04-0043	DISTRIBUIDOR COM JUNTAS 1 1/2"	
2	SP-04-0087	TAMPA COM ESPELHO FRONTAL PRETA 1		8	SP-04-0007	VISOR COM JUNTA	
3	SP-04-0039	JUNTA TÓRICA TAMPA 1 1/2"		9	SP-04-0523	LIGAÇÃO RECTA 1 1/2"	
4	SP-04-0040	JUNTAS VÁLVULA 1 1/2"		10	SP-04-0046	JUNTA PLANA	
5	SP-04-0041	MOLA COM ANILHAS		11	SP-04-0089	LIGAÇÃO CURVA BRANCA 1 1/2' NOVA	
6	SP-04-0044	TAMPÃO ¼"		12	SP-04-0223	CONJUNTO DE CORPO 1 1/2"	