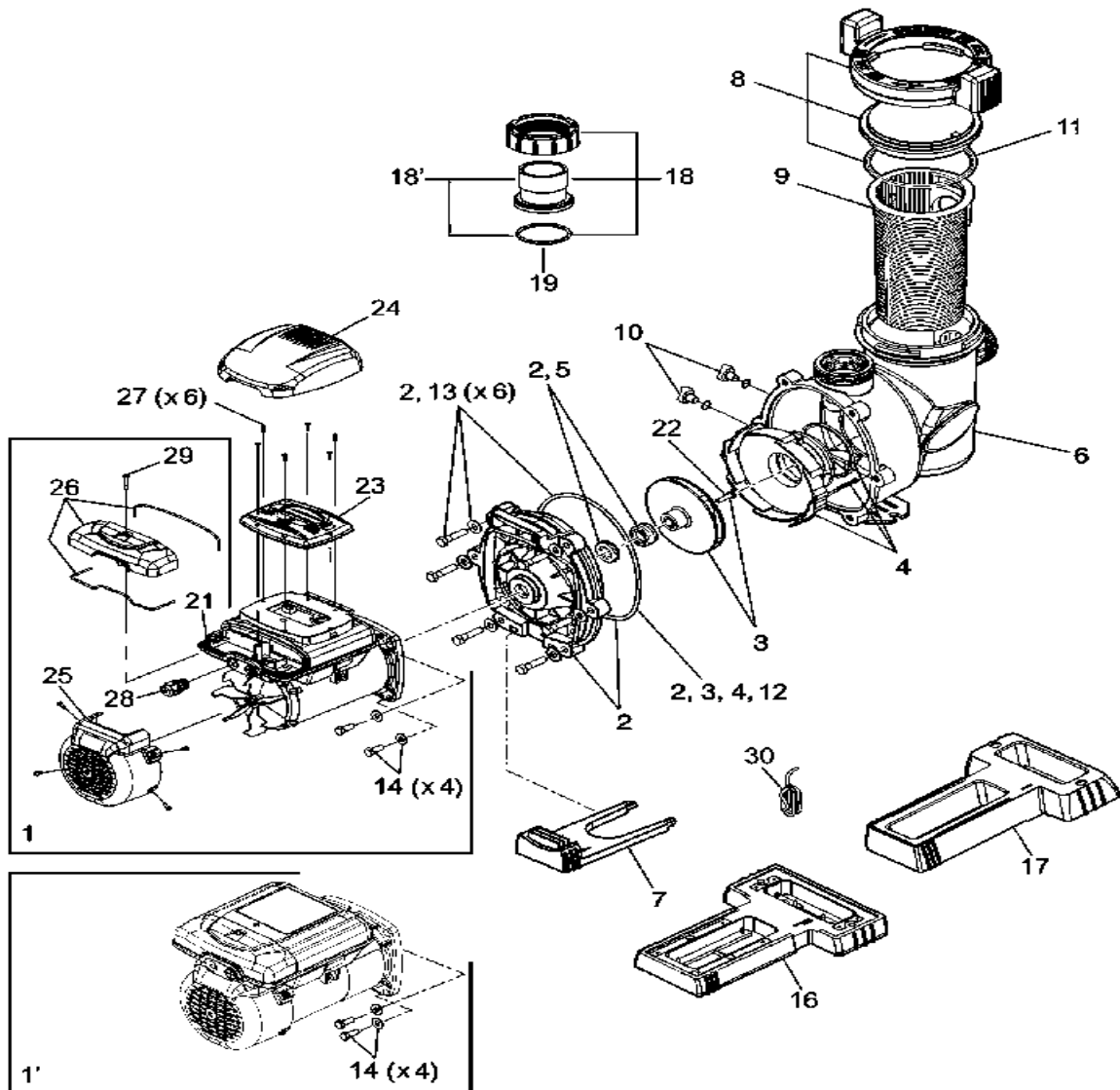


CODIGO **WP000003, WP000079**

 DESCRIPCION: **FLOPRO™ VS & FLOPRO™ VS AUT**

ESPAÑOL

POS	CODIGO	DESCRIPCION	CANTIDAD	POS	CODIGO	DESCRIPCION	CANTIDAD
1	* R0626500	MOTOR BOMBA 50 HZ FLOPRO VS 160		16	R0486701	ZÓCALO BOMBA BAJO	
1	* R0773200	MOTOR BOMBA 50 HZ FLOPRO VS AUT 160		17	R0546401	ZÓCALO BOMBA ALTO	
2	R0479502	KIT PLACA TRASERA FHP (+ TORNILLOS, J		18	R0728700	KIT RACORS UNIÓN DN63/50 MM (2 UN.)	
3	R0479603	TURBINA FLOPRO VS 160 (+ TORNILLO & J		18'	R0792700	KIT RACORS UNIÓN 2" UK (X2, SIN TUERC/	
4	R0479701	DIFUSOR FLOPRO VS 160 (+ TORNILLO & J		19	R0728800	KIT JUNTAS DE UNIÓN (2 UN.)	
5	R0479400	CIERRE MECÁNICO FLOPRO VS		21	R0660900	CONECTOR RS485 4 CONEXIONES	
6	R0479801	CUERPO BOMBA FHP		22	R0515400	TORNILLO TURBINA (+ JUNTA)	
7	R0479902	PIE BOMBA FLOPRO™ VS		23	WJEP-R	INTERFAZ DE USUARIO JEP-R	
8	R0480001	KIT TAPA PREFILTRO FHP (+ JUNTA)		24	R0571501	TAPA INTERFAZ DE USUARIO FLOPRO VS	
9	R0480101	CESTO PREFILTRO FHP		25	R0571300	TAPA VENTILADOR FLOPRO VS	
10	R0446001	KIT TAPONES DE VACIADO (+ JUNTAS, X 2		26	R0571400	TAPA CONEXIONES ELÉCTRICAS FLOPRO	
11	R0480201	JUNTA TAPA PREFILTRO (PASADORES, AR		27	R0571600	TORNILLERÍA INTERFAZ DE USUARIO	
12	R0480301	JUNTA TAPA TRASERA FHP		28	R0501101	PRENSA-ESTOPAS 6-12 MM X 1/2"	

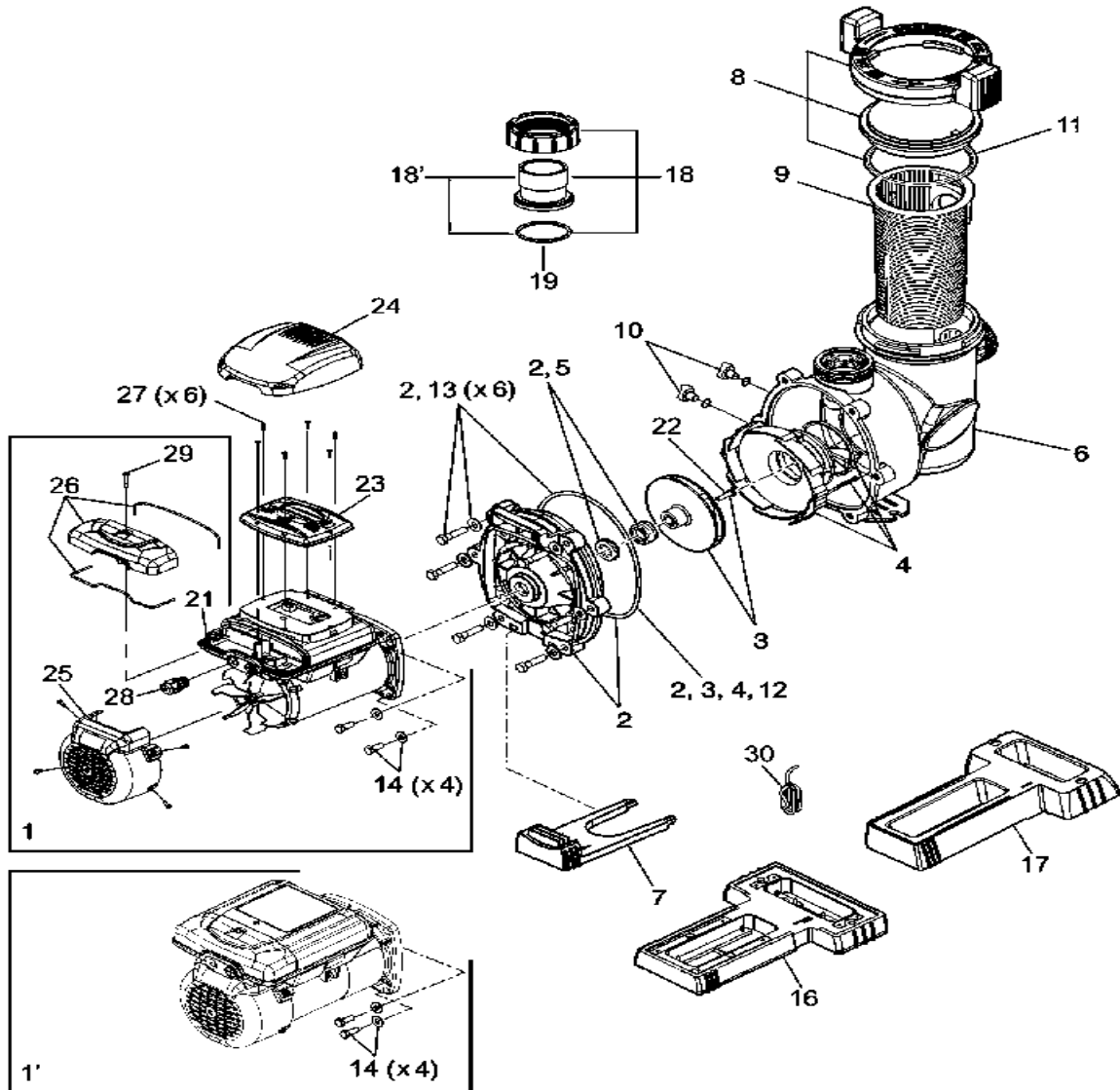
CODIGO **WP000003, WP000079**DESCRIPCION: **FLOPRO™ VS & FLOPRO™ VS AUT**

13	R0480501	TORNILLERÍA MOTOR PLACA TRASERA (P)	29	R0587600	TORNILLO TAPA DE CONEXIONES ELÉCTR
14	R0446702	TORNILLERÍA MOTOR (PASADORES & AR)	30	R0809300	CABLE RS485 - 30 M
N/S	71840	2 "-1,5" ROSCADO REDUCTOR PARA RETR			

CODIGO **WP000003, WP000079**DESCRIPCION: **FLOPRO™ VS & FLOPRO™ VS AUT****OBSERVACIONES**

POS	CODIGO	OBSERVACIONES
1	* R0626500	PARA: WP000003
1	* R0773200	PARA: WP000079

CODE **WP000003, WP000079**

 DESCRIPTION: **FLOPRO™ VS & FLOPRO™ VS AUT**


FRANCAIS

POS	CODE	DESCRIPTION	QUANTITE	POS	CODE	DESCRIPTION	QUANTITE
1	* R0626500	MOTEUR POMPE 50 HZ FLOPRO VS 160		16	R0486701	SOCLE POMPE FIN	
1	* R0773200	MOTEUR POMPE 50 HZ FLOPRO VS AUT 1		17	R0546401	SOCLE POMPE ÉPAIS	
2	R0479502	KIT PLAQUE ARRIÈRE FHP VS (+ VISSERIE		18	R0728700	KIT RACCORDS UNION DN63/50 MM (2 PIÈC	
3	R0479603	TURBINE FLOPRO VS 160 (+ VIS & JOINT)		18'	R0792700	KIT RACCORDS UNION 2" UK (2 PIÈCES, S/	
4	R0479701	DIFFUSEUR FLOPRO VS 160 (+ VIS & JOIN		19	R0728800	KIT JOINTS RACCORD UNION (X2)	
5	R0479400	GARNITURE MÉCANIQUE FLOPRO VS		21	R0660900	CONNECTEUR RS485 4 BROCHES	
6	R0479801	CUERPO POMPE FHP		22	R0515400	VIS TURBINE (+ JOINT)	
7	R0479902	PIED POMPE FLOPRO™ VS		23	WJEP-R	INTERFACE UTILISATEUR JEP-R	
8	R0480001	KIT COUVERCLE PRÉFILTRE FHP (+ JOINT		24	R0571501	CAPOT INTERFACE UTILISATEUR FLOPRO	
9	R0480101	PANIER PRÉFILTRE FHP		25	R0571300	CAPOT VENTILATEUR FLOPRO VS	
10	R0446001	KIT BOUCHONS DE VIDANGE (+ JOINTS, X		26	R0571400	CAPOT COMPARTIMENT ÉLECTRIQUE FLO	
11	R0480201	JOINT COUVERCLE PRÉFILTRE		27	R0571600	VISSERIE INTERFACE UTILISATEUR	
12	R0480301	JOINT PLAQUE ARRIÈRE FHP		28	R0501101	PRESSE-ÉTOUPE 6-12 MM X 1/2"	

* VOIR FICHE D'OBSERVATIONS

CODE **WP000003, WP000079**DESCRIPTION: **FLOPRO™ VS & FLOPRO™ VS AUT**

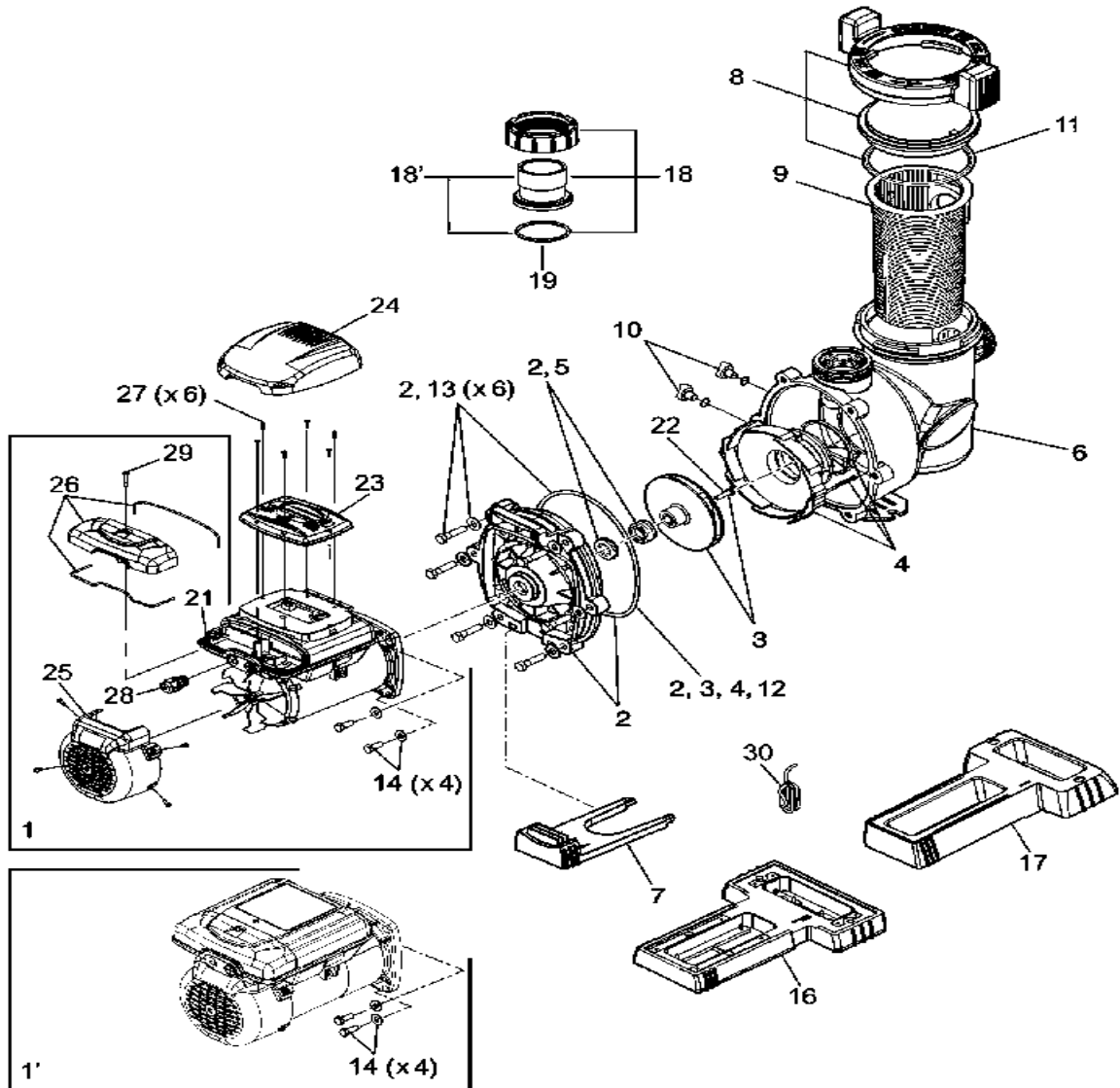
13	R0480501	VISSERIE PLAQUE ARRIÈRE (BOULONS, R	29	R0587600	VIS CAPOT COMPARTIMENT ÉLECTRIQUE
14	R0446702	VISSERIE MOTEUR (BOULONS & RONDELI	30	R0809300	CÂBLE RS485 - 30 MÈTRES
N/S	71840	RÉDUCTEUR FILETÉ 2"-1.5" SPÉCIFIQUE F			

CODE **WP000003, WP000079**DESCRIPTION: **FLOPRO™ VS & FLOPRO™ VS AUT****OBSERVATIONS**

POS	CODE	OBSERVATIONS
1	* R0626500	POUR: WP000003
1	* R0773200	POUR: WP000079

CODE **WP000003, WP000079**

DESCRIPTION: **FLOPRO™ VS & FLOPRO™ VS AUT**



ENGLISH

POS	CODE	DESCRIPTION	QUANTITY	POS	CODE	DESCRIPTION	QUANTITY
1	* R0626500	PUMP MOTOR, 50HZ FLOPRO VS 160		16	R0486701	SMALL PUMP BASE	
1	* R0773200	PUMP MOTOR, 50HZ FLOPRO VS AUT 160		17	R0546401	LARGE PUMP BASE	
2	R0479502	BACKPLATE KIT FHPVS (WITH HARDWARE		18	R0728700	63/50MM UNION TAILPIECE KIT (X2)	
3	R0479603	IMPELLER FLOPRO VS (WITH SCREW & OI		18'	R0792700	2" UK UNION TAILPIECE KIT (X2, WITHOUT	
4	R0479701	DIFFUSER FLOPRO VS (WITH ORING, HAR		19	R0728800	TAILPIECE ORING KIT (X2)	
5	R0479400	MECHANICAL SEAL FLOPRO VS (SET)		21	R0660900	4-PIN RS485 CONNECTOR	
6	R0479801	PUMP BODY FHP		22	R0515400	IMPELLER SCREW (WITH ORING)	
7	R0479902	MOTOR MOUNTING FOOT		23	WJEP-R	JEP-R USER INTERFACE	
8	R0480001	LID FHP (WITH LOCKING RING & ORING)		24	R0571501	USER INTERFACE COVER FLOPRO VS	
9	R0480101	FILTER BASKET FHP		25	R0571300	FAN COVER FLOPRO VS	
10	R0446001	DRAIN PLUG WITH ORING (SET OF 2)		26	R0571400	ELECTRICAL CONNECTION BOX COVER FL	
11	R0480201	LID ORING		27	R0571600	USER INTERFACE SCREWS	
12	R0480301	BACKPLATE ORING FHP		28	R0501101	CABLE GLAND 6-12 MM X 1/2"	

* SEE OBSERVATIONS SHEET

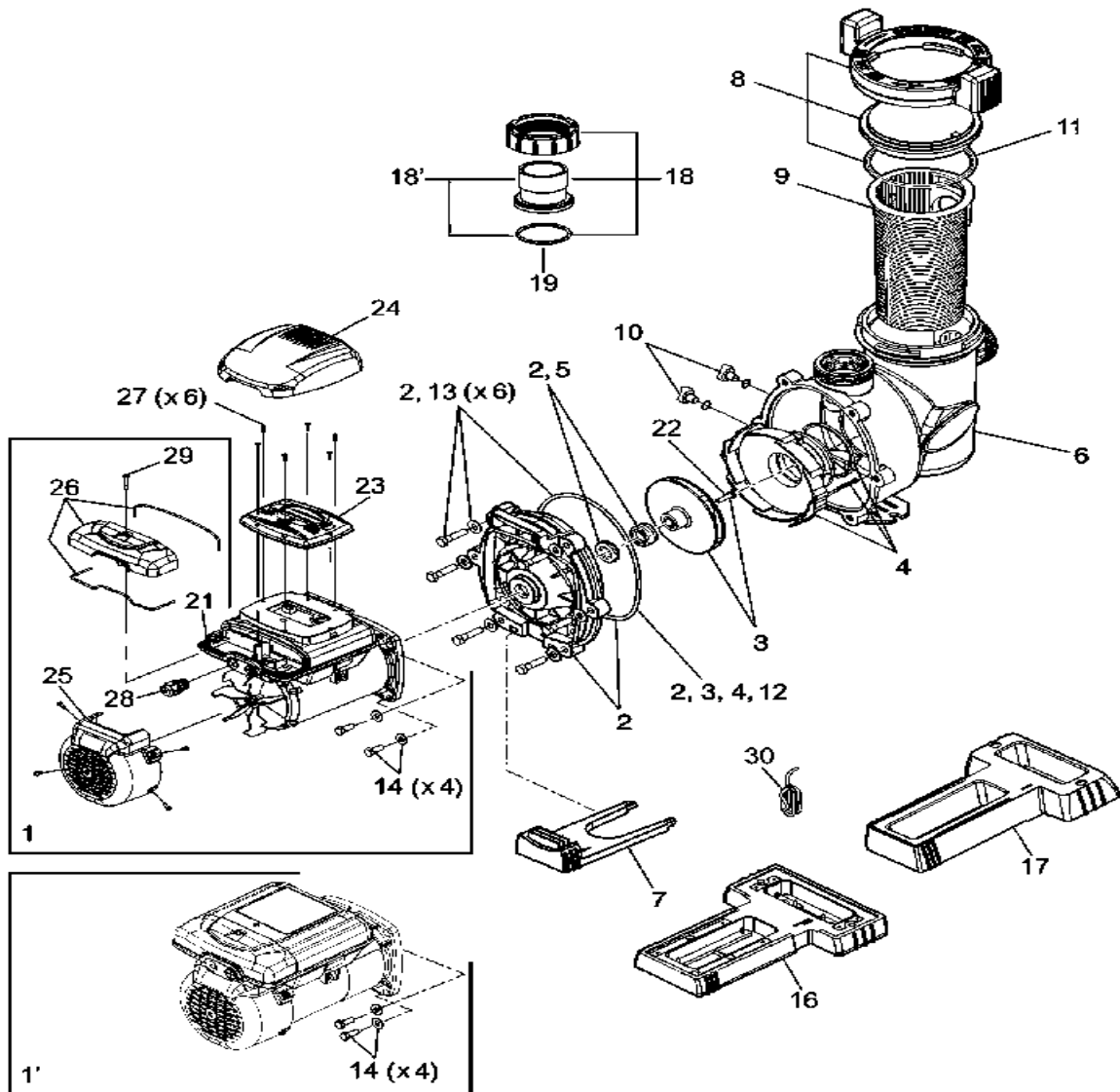
CODE **WP000003, WP000079**DESCRIPTION: **FLOPRO™ VS & FLOPRO™ VS AUT**

13	R0480501	BACKPLATE HARDWARE (BOLTS, WASHERS)	29	R0587600	ELECTRICAL CONNECTION BOX SCREW
14	R0446702	MOTOR BOLTS & WASHERS	30	R0809300	RS485 CABLE - 30 M
N/S	71840	2"-1.5" THREADED REDUCER FOR RETROFIT			

CODE **WP000003, WP000079**DESCRIPTION: **FLOPRO™ VS & FLOPRO™ VS AUT****OBSERVATIONS**

POS	CODE	OBSERVATIONS
1	* R0626500	FOR: WP000003
1	* R0773200	FOR: WP000079

CODICE **WP000003, WP000079**

 DESCRIZIONE: **FLOPRO™ VS & FLOPRO™ VS AUT**

ITALIANO

POS	CODICE	DESCRIZIONE	QUANTITA'	POS	CODICE	DESCRIZIONE	QUANTITA'
1	* R0626500	KIT MOTORE FLOPRO VS 160 EU		16	R0486701	BASE BASSA POMPA	
1	* R0773200	NOT DEFINED		17	R0546401	BASE ALTA POMPA	
2	R0479502	BACKPLATE KIT FLOPRO VS		18	R0728700	KIT RACCORDI 63/50 MM (*2)	
3	R0479603	TURBINA FLOPRO VS 160		18'	R0792700	NOT DEFINED	
4	R0479701	KIT DIFFUSORE FLOPRO 160 VS		19	R0728800	KIT OR BOCCHETTONE (*2)	
5	R0479400	GUARNIZIONE MECCANICA FLOPRO		21	R0660900	CONNETTORE RS485 4 SPAZZOLE	
6	R0479801	PUMP BODY (BODY & BACKPLATE O-RING		22	R0515400	VITE TURBINA FLOPRO + ANELLO	
7	R0479902	FLOPRO™ VS MOTOR FOOT		23	WJEP-R	INTERFACCIA UTENTE FLOPRO VS	
8	R0480001	KIT COPERCHIO PREFILTRO FLOPRO		24	R0571501	COPERCHIO INTERFACCIA UTENTE	
9	R0480101	CESTELLO PREFILTRO FLOPRO E3/T		25	R0571300	COPERCHIO VENTILATORE FLOPRO	
10	R0446001	KIT SPINE DI SVUOTAMENTO (*2)		26	R0571400	COPERCHIO COMPART. ELETTRICO	
11	R0480201	ANELLO COPERCHIO PREFILTRO		27	R0571600	VITI INTERFACCIA UTENTE	
12	R0480301	ANELLO PIASTRA INFERIORE FLOPR		28	R0501101	PRESSA-CAVO 6-12 MM_1/2	

* SI FACCI RIFERIMENTO AL FOGLIO DELLE OSSERVAZIONI

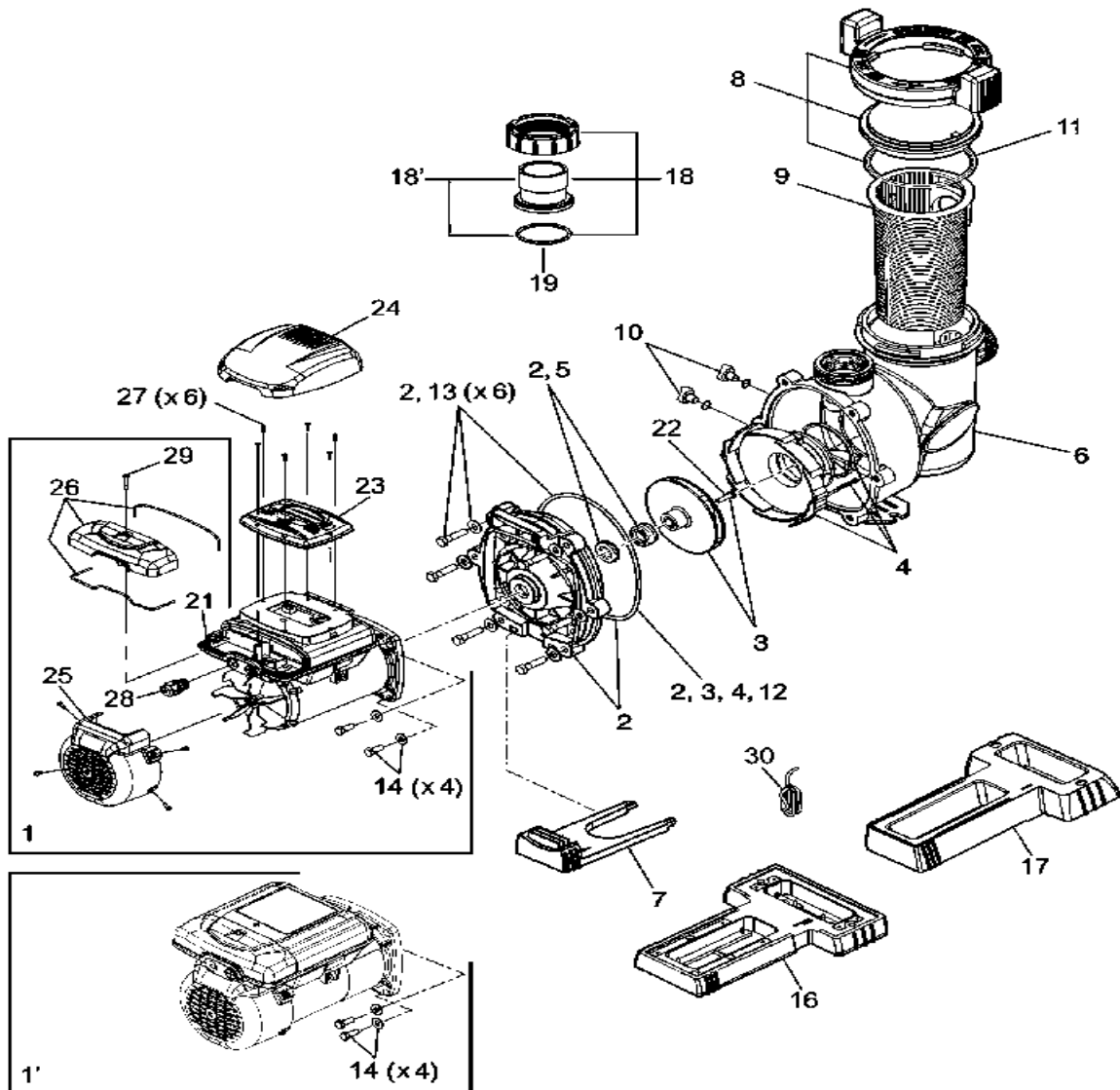
CODICE **WP000003, WP000079**DESCRIZIONE: **FLOPRO™ VS & FLOPRO™ VS AUT**

13	R0480501	VITI PIASTRA INFERIORE FLOPRO	29	R0587600	VITI COPERCHIO COMPART. ELETT.
14	R0446702	VITI MOTORE FLOPRO	30	R0809300	NOT DEFINED
N/S	71840	NOT DEFINED			

CODICE **WP000003, WP000079**DESCRIZIONE: **FLOPRO™ VS & FLOPRO™ VS AUT****OSSERVAZIONI**

POS	CODICE	OSSERVAZIONI
1	* R0626500	PER: WP000003
1	* R0773200	PER: WP000079

CODE **WP000003, WP000079**

 BESCHREIBUNG: **FLOPRO™ VS & FLOPRO™ VS AUT**


DEUTSCH

POS	CODE	BESCHREIBUNG	MENGE	POS	CODE	BESCHREIBUNG	MENGE
1	* R0626500	MOTOREINHEIT FLOPRO VS		16	R0486701	SOCKEL FLACH FP	
1	* R0773200	NOT DEFINED		17	R0546401	SOCKEL HOCH FP	
2	R0479502	BACKPLATE KIT FLOPRO VS		18	R0728700	ANSCHLUSSKIT 63/50 FLOPRO	
3	R0479603	LAUFRAD U. GEHÄUSEDICHTUNG FP		18'	R0792700	NOT DEFINED	
4	R0479701	UMKEHRLEITRAD U. DICHTUNG FP		19	R0728800	O-RING F. VERSCHRAUBUNG FP	
5	R0479400	GLEITRINGDICHTUNG FP		21	R0660900	STECKER 4-POLIGER RS485 FP	
6	R0479801	PUMP BODY (BODY & BACKPLATE O-RING		22	R0515400	SCHRAUBE F. PUMPENRAD FP	
7	R0479902	FLOPRO™ VS MOTOR FOOT		23	WJEP-R	BEDIENEINHEIT FP	
8	R0480001	DECKEL+DICHTUNG+RING FP		24	R0571501	DECKEL F. BEDIENEINHEIT FP	
9	R0480101	VORFILTERSIEB FP		25	R0571300	LÜFTERHAUBE VS-FHP1.0 FP	
10	R0446001	ABLASSSCHRAUBE M. O-RING FP		26	R0571400	DECKEL F. KLEMMKASTEN FP	
11	R0480201	VORFILTERDICHTUNG FP		27	R0571600	SCHRAUBEN F. BEDIENEINHEIT FP	
12	R0480301	GEHÄUSEDICHTUNG FP		28	R0501101	KABELVERSCHRAUBUNG 6-12 MM FP	

* SIEHE ANMERKUNGSBLATT

CODE **WP000003, WP000079**BESCHREIBUNG: **FLOPRO™ VS & FLOPRO™ VS AUT**

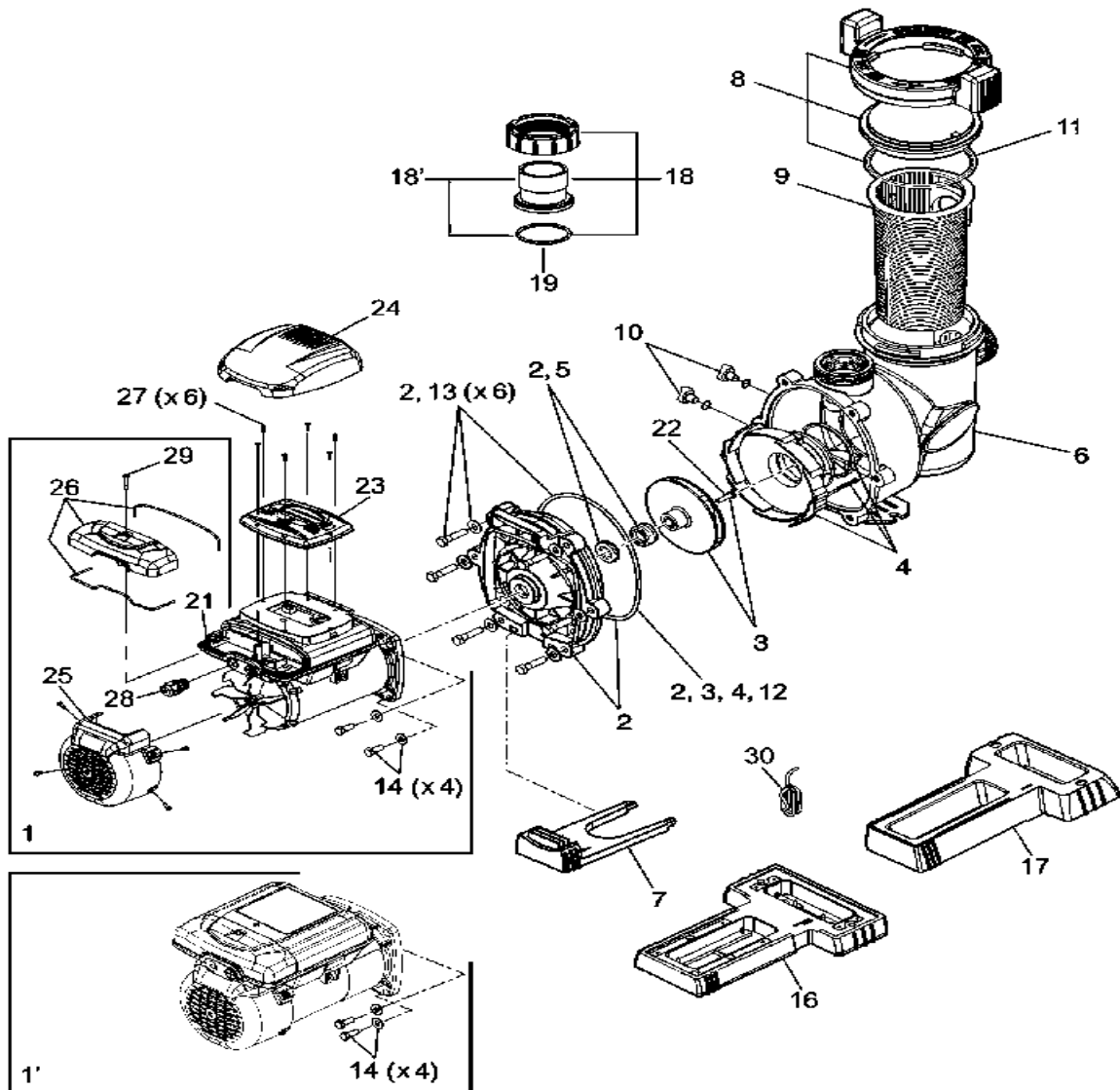
13	R0480501	SCHRAUBE+MUTTER+DICHTUNG FP	29	R0587600	SCHRAUBE F. DECKEL KLEMMK. FP
14	R0446702	SCHRAUBENSET+MUTTER FP	30	R0809300	NOT DEFINED
N/S	71840	NOT DEFINED			

CODE **WP000003, WP000079**BESCHREIBUNG: **FLOPRO™ VS & FLOPRO™ VS AUT****HINWEISE**

POS	CODE	HINWEISE
1	* R0626500	FÜR: WP000003
1	* R0773200	FÜR: WP000079

CODIGO **WP000003, WP000079**

DESCRIÇÃO: **FLOPRO™ VS & FLOPRO™ VS AUT**



PORTUGUES

POS	CODIGO	DESCRIÇÃO	JANTIDADE	POS	CODIGO	DESCRIÇÃO	JANTIDADE
1	* R0626500	MOTOR, DRIVE, 50HZ FLOPRO VS THP1,6€		16	R0486701	BASE BOMBA BAIXA	
1	* R0773200	NOT DEFINED		17	R0546401	BASE BOMBA ALTA	
2	R0479502	BACKPLATE KIT FLOPRO VS		18	R0728700	KIT RACORS UNIÃO DN63/50 MM(2)	
3	R0479603	IMPELLER, (IMPELLER, SCREW W/ O-RING		18'	R0792700	NOT DEFINED	
4	R0479701	DIFFUSER (DIFFUSER W/ O-RING, HARDW		19	R0728800	KIT JUNTAS UNIAO (X2)	
5	R0479400	MECHANICAL SEAL, CARBON AND CERAM		21	R0660900	CONNECTOR, SPEED DRIVE, VS-FHP PUMI	
6	R0479801	PUMP BODY (BODY & BACKPLATE O-RING		22	R0515400	SCREW W/ O-RING	
7	R0479902	FLOPRO™ VS MOTOR FOOT		23	WJEP-R	USER INTERFACE, VARIABLE-SPEED PUMF	
8	R0480001	KIT TAMPA PREFILTRO FHP+JUNTA		24	R0571501	CAPOT INTERFACE UTILISATEUR	
9	R0480101	CESTO PREFILTRO FLOPRO		25	R0571300	FAN COVER, VS-FHP1.0	
10	R0446001	DRAIN PLUG W/ O-RING (SET OF 2)		26	R0571400	ACCESS COVER, VS-FHP1.0	
11	R0480201	LID O-RING		27	R0571600	USER INTERFACE SCREWS, VS-FHP1.0	
12	R0480301	BACKPLATE O-RING		28	R0501101	CONDUIT FITTING, 1/2 NPT, VS-FHP1.0	

* VEJA A FICHA DE OBSERVAÇÕES

CODIGO **WP000003, WP000079**DESCRICAÇÃO: **FLOPRO™ VS & FLOPRO™ VS AUT**

13	R0480501	BACKPLATE HARDWARE (BACKPLATE HAF	29	R0587600	REAR ACCESS COVER SCREW, VS-FHP1.0
14	R0446702	MOTOR HARDWARE KIT	30	R0809300	NOT DEFINED
N/S	71840	NOT DEFINED			

CODIGO **WP000003, WP000079**DESCRIÇÃO: **FLOPRO™ VS & FLOPRO™ VS AUT****OBSERVACÕES**

POS	CODIGO	OBSERVACÕES
1	* R0626500	PARA: WP000003
1	* R0773200	PARA: WP000079