

DESPIECE

REV.: 0

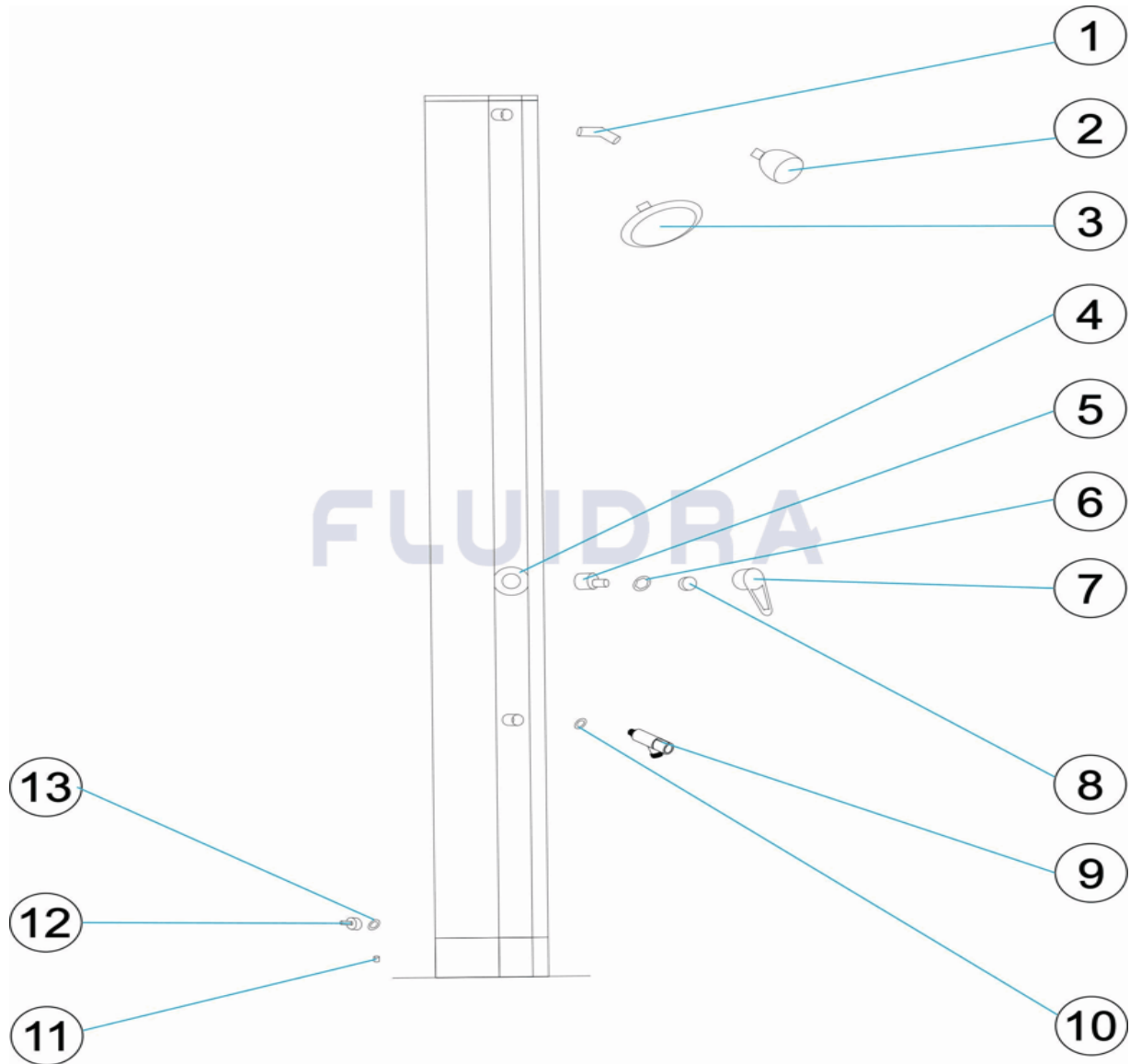
1471

FECHA: 07/06/2021

HOJA: 1/2

CODIGO 56553, 56554

DESCRIPCION: DUCHA CON GRIFO LAVAPIES



ESPAÑOL

POS	CODIGO	DESCRIPCION	CANTIDAD	POS	CODIGO	DESCRIPCION	CANTIDAD
1	* 40664R0004	CODO		8	40664R0009	CAPUCHÓN	
2	* 40664R0005	PIÑA DUCHA		9	56553R0004	GRIFO LAVAPIÉS	
3	* 56553R0001	PIÑA GRANDE PARA DUCHA		10	56553R0003	JUNTA	
4	40664R0006	EMBELLECEDOR		11	40664R0003	TAPÓN DE DRENAJE CON JUNTA TÓRICA	
5	56553R0002	VÁLVULA PARA GRIFO		12	40664R0001	ADAPTADOR DE ENTRADA	
6	40664R0008	TUERCA DE GRIFO		13	40664R0002	JUNTA	
7	40664R0010	POMO DUCHA					

DESPIECE

REV.: 0

1471

FECHA: 07/06/2021

HOJA: 2/2

CODIGO **56553, 56554**DESCRIPCION: **DUCHA CON GRIFO LAVAPIES**

OBSERVACIONES

POS	CODIGO	OBSERVACIONES
1	* 40664R0004	PARA: 56553
2	* 40664R0005	PARA: 56554
3	* 56553R0001	PARA: 56553

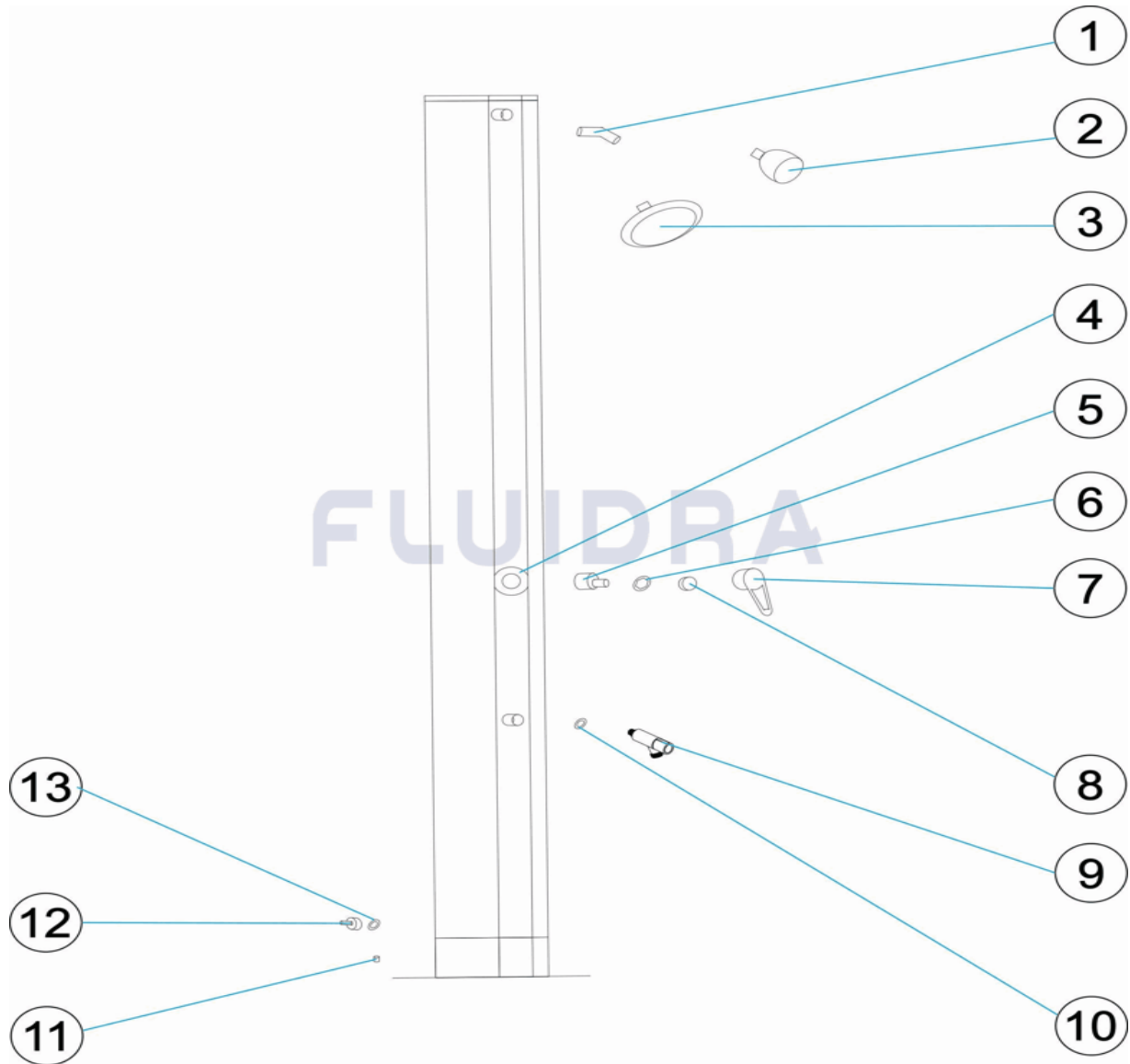
ÉCLATÉ

REV.: 0
DATE: 07/06/2021
PAG.: 1/2

1471

CODE 56553, 56554

DESCRIPTION: DOUCHE LAVE-PIEDS



FRANCAIS

POS	CODE	DESCRIPTION	QUANTITE	POS	CODE	DESCRIPTION	QUANTITE
1	* 40664R0004	COUDE		8	40664R0009	CAPUCHON	
2	* 40664R0005	POMMEAU DE DOUCHE		9	56553R0004	ROBINET RINCE PIEDS	
3	* 56553R0001	GRANDE POMMEAU DE DOUCHE		10	56553R0003	JOINT	
4	40664R0006	ENJOLIVEUR		11	40664R0003	BOUCHON DE PURGE + JOINT	
5	56553R0002	VANNE		12	40664R0001	ADAPTATEUR D'ENTRÉE	
6	40664R0008	ROBINET ÉCROU		13	40664R0002	JOINT	
7	40664R0010	POMMEAU					

* VOIR FICHE D'OBSERVATIONS

ÉCLATÉ

REV.: 0

1471

DATE: 07/06/2021

PAG.: 2/2

CODE **56553, 56554**DESCRIPTION: **DOUCHE LAVE-PIEDS**

OBSERVATIONS

POS	CODE	OBSERVATIONS
1	* 40664R0004	POUR: 56553
2	* 40664R0005	POUR: 56554
3	* 56553R0001	POUR: 56553

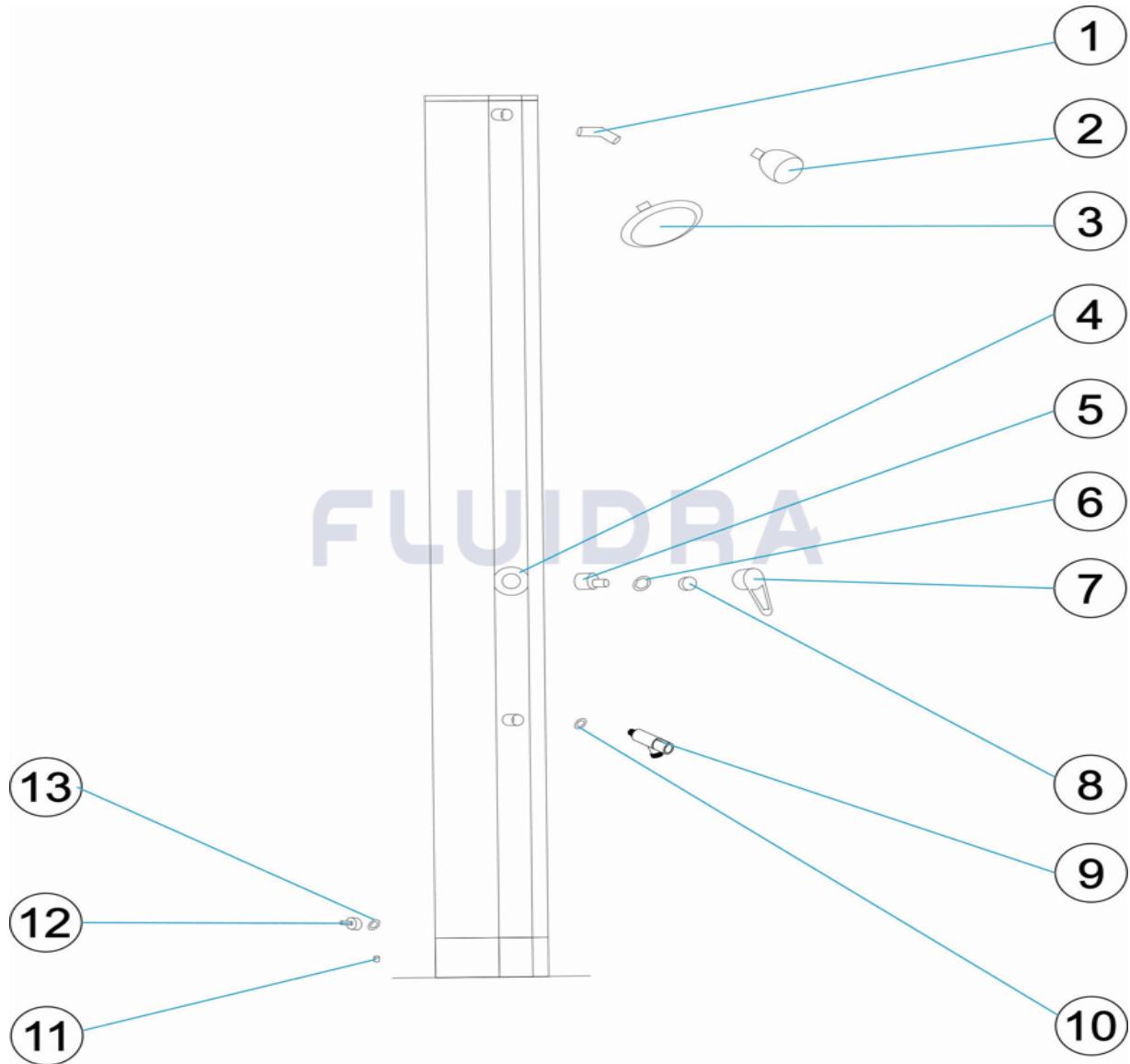
PARTS BREAKDOWN

REV.: 0
DATE: 07/06/2021
SHEET: 1/2

1471

CODE 56553, 56554

DESCRIPTION: SHOWER WITH FOOTWASH TAP



ENGLISH

POS	CODE	DESCRIPTION	QUANTITY	POS	CODE	DESCRIPTION	QUANTITY
1	* 40664R0004	ELBOW FITTING		8	40664R0009	COVER CAP	
2	* 40664R0005	SHOWER HEAD		9	56553R0004	FOOT SHOWER TAP	
3	* 56553R0001	BIG SHOWER HEAD		10	56553R0003	GASKET	
4	40664R0006	WAIST-SHAPED NUT		11	40664R0003	DRAIN PLUG WITH O-RING	
5	56553R0002	FAUCET VALVE		12	40664R0001	INPUT ADAPTER	
6	40664R0008	FAUCET NUT		13	40664R0002	GASKET	
7	40664R0010	HANDLE					

PARTS BREAKDOWN

REV.: 0
DATE: 07/06/2021
SHEET: 2/2

1471

CODE **56553, 56554**

DESCRIPTION: **SHOWER WITH FOOTWASH TAP**

OBSERVATIONS

POS	CODE	OBSERVATIONS
1	* 40664R0004	FOR: 56553
2	* 40664R0005	FOR: 56554
3	* 56553R0001	FOR: 56553

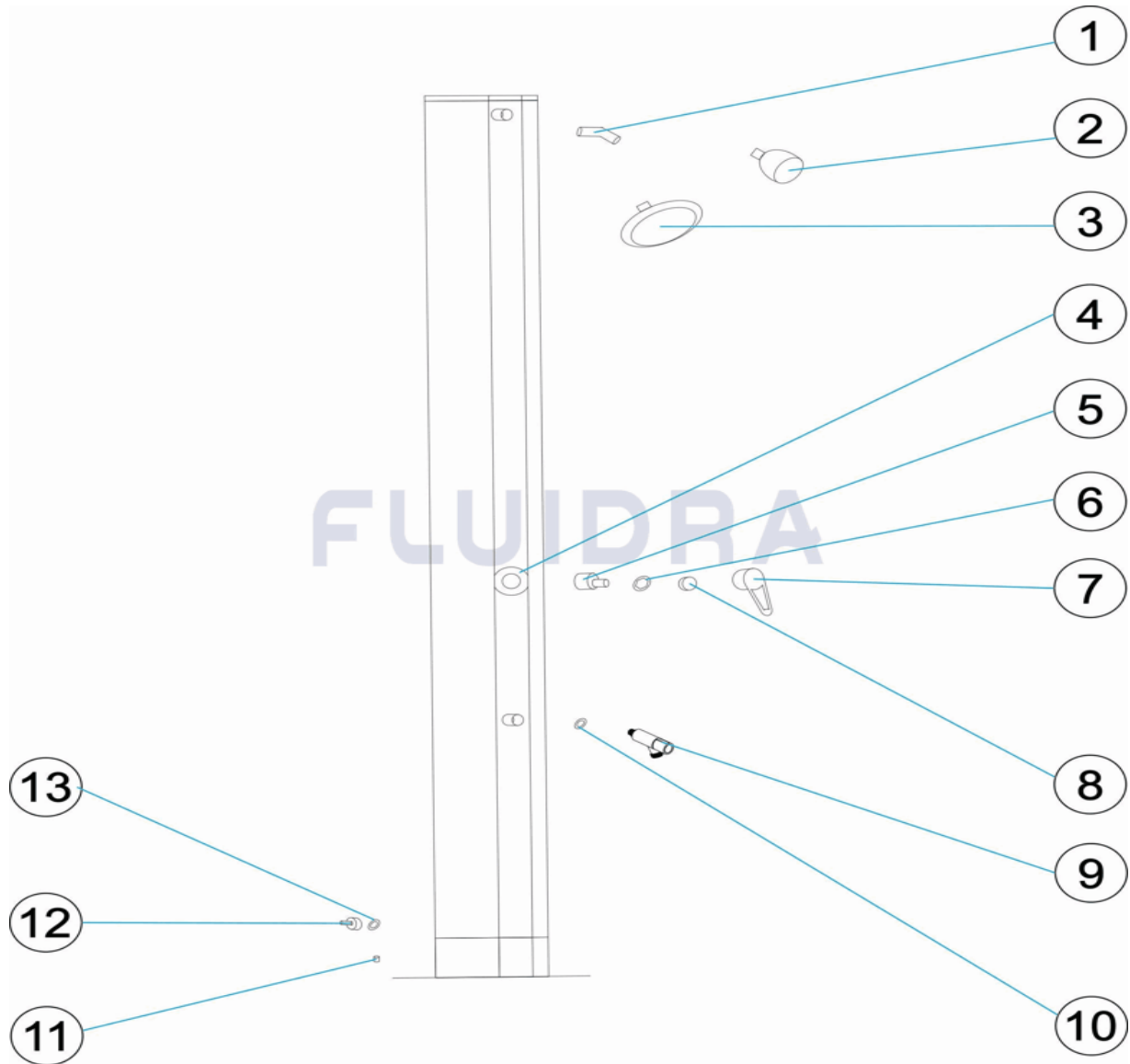
ESPLOSO

REV.: 0
 DATA: 07/06/2021
 PAG.: 1/2

1471

CODICE 56553, 56554

DESCRIZIONE: DOCCIA LAVAPIEDI



ITALIANO

POS	CODICE	DESCRIZIONE	QUANTITA'	POS	CODICE	DESCRIZIONE	QUANTITA'
1	* 40664R0004	GOMITO		8	40664R0009	CAPPUCCIO	
2	* 40664R0005	DIFFUSORE DOCCIA		9	56553R0004	RUBINETTO LAVAPIEDI	
3	* 56553R0001	GRANDE DIFFUSORE DOCCIA		10	56553R0003	GUARNIZIONE	
4	40664R0006	FLANGIA DI RIFINITURA		11	40664R0003	TAPPO DI DRENAGGIO + GUARNIZIONE	
5	56553R0002	VALVOLA		12	40664R0001	ADATTATORE DI INGRESSO	
6	40664R0008	RUBINETTO DADO		13	40664R0002	GUARNIZIONE	
7	40664R0010	MANOPOLA					

* SI FACCIA RIFERIMENTO AL FOGLIO DELLE OSSERVAZIONI

ESPLOSO

REV.: 0

1471

DATA: 07/06/2021

PAG.: 2/2

CODICE **56553, 56554**DESCRIZIONE: **DOCCIA LAVAPIEDI**

OSSERVAZIONI

POS	CODICE	OSSERVAZIONI
1	* 40664R0004	PER: 56553
2	* 40664R0005	PER: 56554
3	* 56553R0001	PER: 56553

EINZELTEILE

ÜBER.: 0

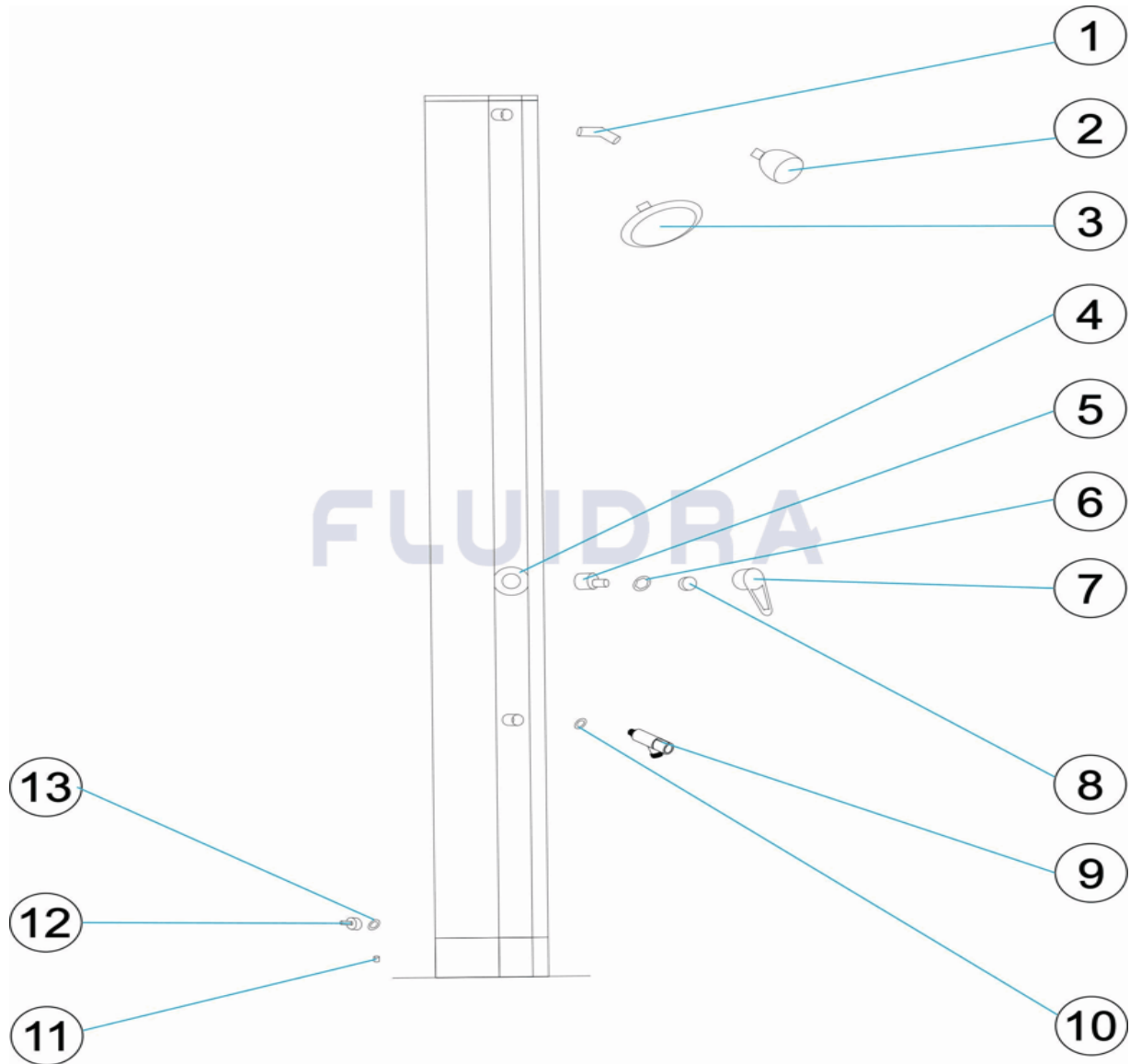
1471

DATUM: 07/06/2021

BLATT: 1/2

CODE 56553, 56554

BESCHREIBUNG: DUSCHE WASSERHAHN FUSSDUSCHE



DEUTSCH

POS	CODE	BESCHREIBUNG	MENGE	POS	CODE	BESCHREIBUNG	MENGE
1	* 40664R0004	WINKEL		8	40664R0009	HAUBE	
2	* 40664R0005	DUSCHKOPF		9	56553R0004	WASSERHAHN FUSSDUSCHE	
3	* 56553R0001	GROSSER DUSCHKOPF		10	56553R0003	DICHTUNG	
4	40664R0006	BLLENDE		11	40664R0003	ABLASSSTOPFEN + DICHTUNG	
5	56553R0002	VENTIL		12	40664R0001	EINGANGSADAPTER	
6	40664R0008	WASSERHAHN MUTTER		13	40664R0002	DICHTUNG	
7	40664R0010	DREHGRIF DUSCHE					

* SIEHE ANMERKUNGSBLATT

EINZELTEILE

ÜBER.: 0

1471

DATUM: 07/06/2021

BLATT: 2/2

CODE **56553, 56554**BESCHREIBUNG: **DUSCHE WASSERHAHN FUSSDUSCHE**

HINWEISE

POS	CODE	HINWEISE
1	* 40664R0004	FÜR: 56553
2	* 40664R0005	FÜR: 56554
3	* 56553R0001	FÜR: 56553

ITEM

REV.: 0

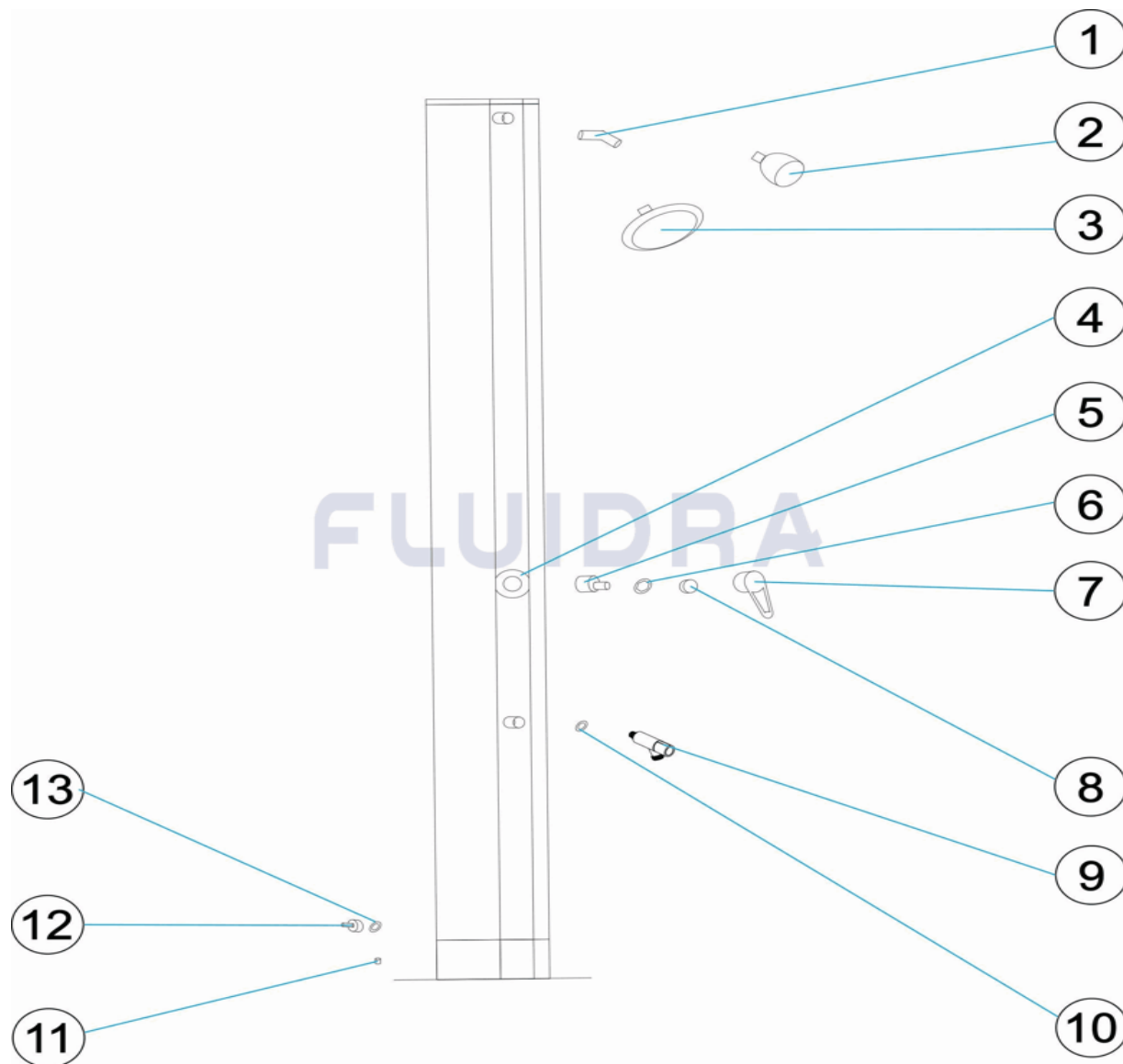
1471

DATA: 07/06/2021

FOLHA: 1/2

CODIGO **56553, 56554**

DESCRIÇÃO: **DUCHE LAVA-PÉS**



PORTUGUES

POS	CODIGO	DESCRIÇÃO	JANTIDADE	POS	CODIGO	DESCRIÇÃO	JANTIDADE
1	* 40664R0004	COTOBELÓ		8	40664R0009	PROTEÇÃO	
2	* 40664R0005	REGADOR CHUVEIRO		9	56553R0004	TORNEIRA LAVA-PÉS	
3	* 56553R0001	REGADOR CHUVEIRO GRANDE		10	56553R0003	JUNTA	
4	40664R0006	EMBELEZADOR		11	40664R0003	TAMPÃO DE PURGA + JUNTA	
5	56553R0002	VALVULA		12	40664R0001	ADAPTADOR DE ENTRADA	
6	40664R0008	TORNEIRA PORCA		13	40664R0002	JUNTA	
7	40664R0010	PUXADOR					

*** VEJA A FICHA DE OBSERVAÇÕES**

ITEM

REV.: 0

1471

DATA: 07/06/2021

FOLHA: 2/2

CODIGO **56553, 56554**DESCRIÇÃO: **DUCHE LAVA-PÉS**

OBSERVACÕES

POS	CODIGO	OBSERVACÕES
1	* 40664R0004	PARA: 56553
2	* 40664R0005	PARA: 56554
3	* 56553R0001	PARA: 56553