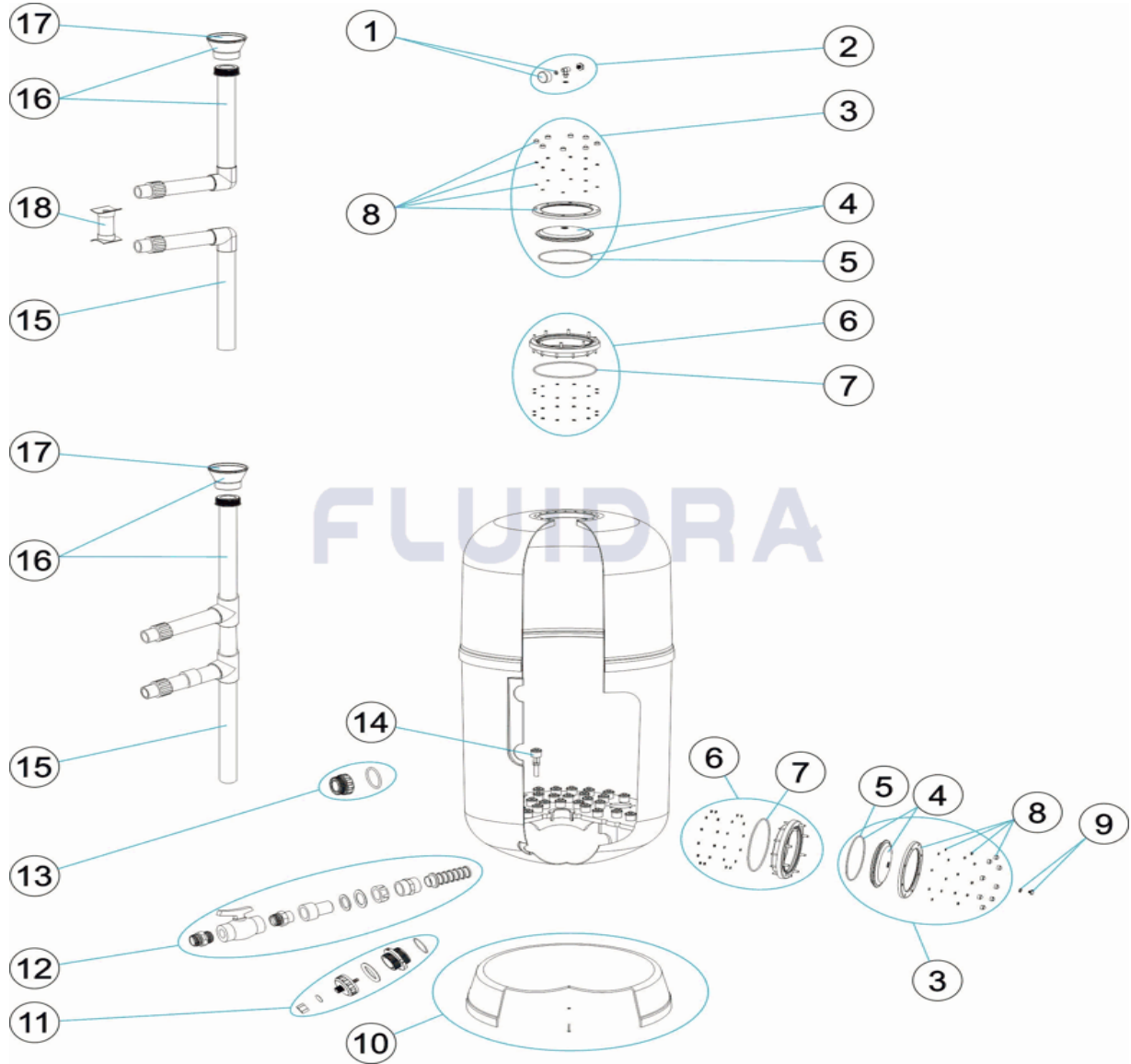


CODIGO FAHS650N, FAHS800N, FAHS950N

DESCRIPCION: FILTRO ALPINE (CREPINAS)



**ESPAÑOL**

POS	CODIGO	DESCRIPCION	CANTIDAD	POS	CODIGO	DESCRIPCION	CANTIDAD
1	CE04180405	MANOMETRO 1/8" 3 KG/C "		13	* CE04040112	RACORD SALIDA 2" + JUNTA TORIC "	
2	CE04180404	MANOMETRO COMPLETO		13	* CE04290108	RACOR SALIDA 2 1/2" + JUNTA TORIC "	
3	CE04303002	GRUPO TAPA NEGRA FILTRO A/TORNILLO		14	* CE04161535	CREPINA 0,5 MM	
4	CE04160847	TAPA FILTRO D. 220 NEGRA		15	* CE04010278	CJTO. COLECTOR D. 650	
5	CE04260106	JUNTA ARO FIJACION VALVULA		15	* CE04010279	CJTO. COLECTOR D. 800	
6	CE04160809	ARO CUELLO 20 TORNILLOS		15	* CE04010280	CJTO. COLECTOR D. 950 2"	
7	CE04020116	JUNTA TORICA 255X4		15	* CE04010281	CJTO. COLECTOR D. 950 2 1/2"	
8	CE04303001	ARO FIJACION TAPA		16	* CE04010245	CJTO. DIFUSOR D. 650	
9	CE04130107	TAPON PURGA 1/4" ANONIMO CON JUNT "		16	* CE04010361	CJTO. DIFUSOR D. 800	
10	* CE04010241	PIE FILTRO D. 650		16	* CE04010272	CJTO. DIFUSOR D.950 2"	
10	* CE04010242	PIE FILTRO D. 800		16	* CE04010247	CJTO. DIFUSOR D. 950 2 1/2"	
10	* CE04010293	PIE FILTRO D. 950		17	* CE04301004	CONO DIFUSOR D.50	
11	* CE04040024	DESCARGA ARENA-AGUA		17	* CE04300910	CONO DIFUSOR D. 63	

CODIGO **FAHS650N, FAHS800N, FAHS950N**

DESCRIPCION: **FILTRO ALPINE (CREPINAS)**

12	* CE04303004	CJTO. PURGA	17	* CE04190324	CONO DIFUSOR D.75
13	* CE04040103	RACORD 1 ½" + JUNTA TORIC "	18	* 36055R0423	SOPORTE COLECTOR - DIFUSOR D. 1050

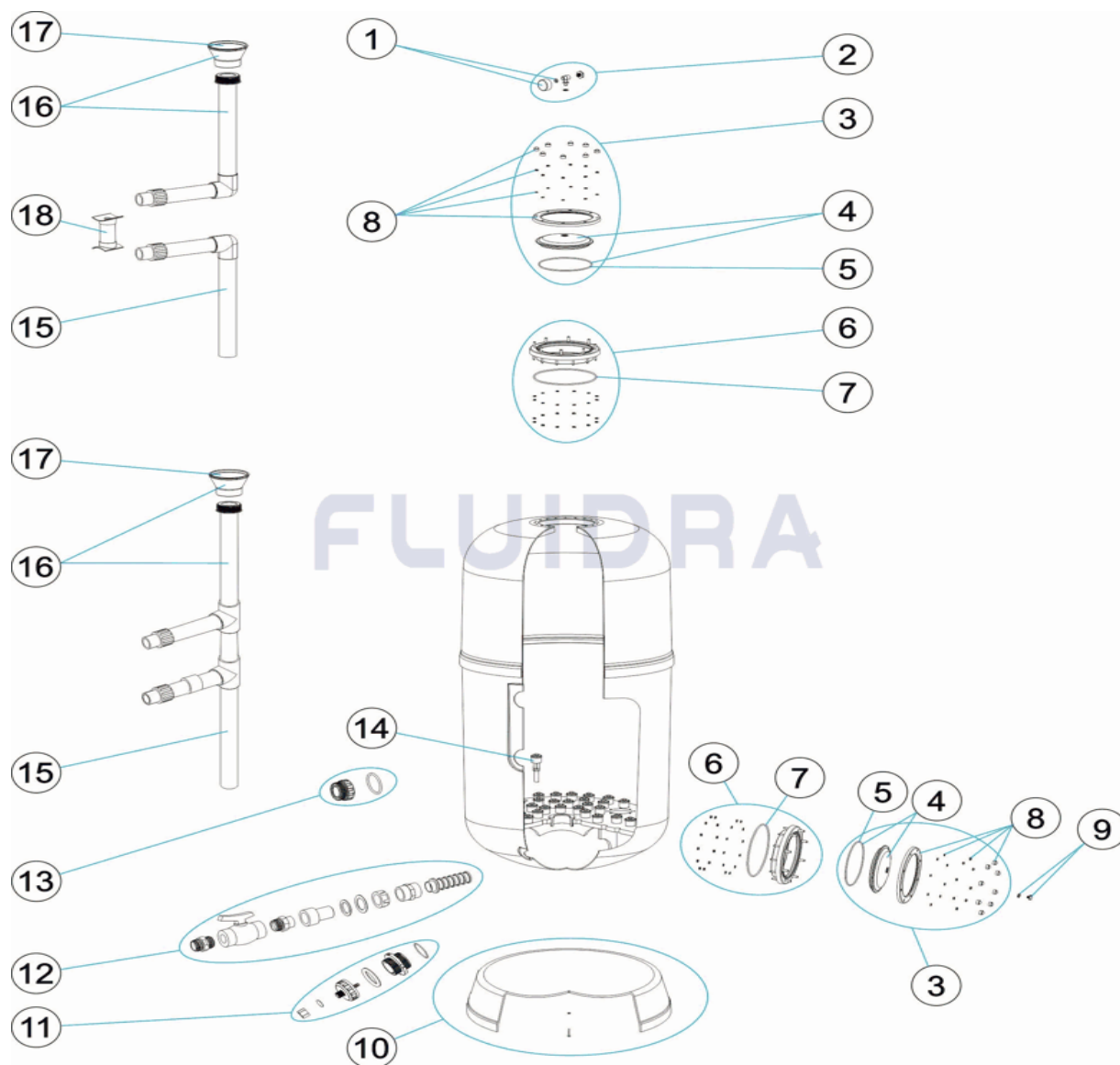
CODIGO **FAHS650N, FAHS800N, FAHS950N**

DESCRIPCION: **FILTRO ALPINE (CREPINAS)**

## OBSERVACIONES

POS	CODIGO	OBSERVACIONES
10	* CE04010241	PARA: FAHS650N
10	* CE04010242	PARA: FAHS800N
10	* CE04010293	PARA: FAHS950N
11	* CE04040024	PARA: FAHS950N
12	* CE04303004	PARA: FAHS650N, FAHS800N
13	* CE04040103	PARA: FAHS650N
13	* CE04040112	PARA: FAHS800N, FAHS950N FAHS950N < 2009
13	* CE04290108	PARA: FAHS950N > 2009
14	* CE04161535	PARA: FAHS650N [22UT], FAHS800N [40UT], FAHS950N [62UT]
15	* CE04010278	PARA: FAHS650N
15	* CE04010279	PARA: FAHS800N
15	* CE04010280	PARA: FAHS950N < 2009
15	* CE04010281	PARA: FAHS950N > 2009
16	* CE04010245	PARA: FAHS650N
16	* CE04010361	PARA: FAHS800N
16	* CE04010272	PARA: FAHS950N < 2009
16	* CE04010247	PARA: FAHS950N > 2009
17	* CE04301004	PARA: FAHS650N
17	* CE04300910	PARA: FAHS800N, FAHS950N < 2009
17	* CE04190324	PARA: FAHS950N > 2009
18	* 36055R0423	PARA: FAHS950N > 2009

CODE **FAHS650N, FAHS800N, FAHS950N**

 DESCRIPTION: **FILTRE ALPINE (CREPINAS)**

**FRANCAIS**

POS	CODE	DESCRIPTION	QUANTITE	POS	CODE	DESCRIPTION	QUANTITE
1	CE04180405	MANOMETRE 1/8" 3 KG./C "		13	* CE04040112	RACCORD SORTIE 2" + JOINT TORIQU "	
2	CE04180404	MANOMETRE COMPLET		13	* CE04290108	RACCOR SORTIE 2 1/2" + JOINT TORIQU "	
3	CE04303002	ENSEMBLE COUVERCLE		14	* CE04161535	CREPINE 0,5 MM	
4	CE04160847	COUVERCLE FILTRE D. 220 NOIR		15	* CE04010278	ENSEMBLE COLLECTEUR D. 650	
5	CE04260106	JOINT BRIDE FIXATION VANNE TOP		15	* CE04010279	ENSEMBLE COLLECTEUR D 800	
6	CE04160809	BRIDE GORGE 20 VIS		15	* CE04010280	ENSEMBLE COLLECTEUR D 950 2"	
7	CE04020116	JOINT TORIQUE 255X4		15	* CE04010281	ENSEMBLE COLLECTEUR D 950 2 1/2"	
8	CE04303001	BRIDE DE FIXATION COUVERCLE		16	* CE04010245	ENSEMBLE DIFFUSEUR D. 650	
9	CE04130107	BOUCHON PURGE 1/4" ANONYME AVEC J		16	* CE04010361	ENSEMBLE DIFFUSEUR D. 800	
10	* CE04010241	SOCLE FILTRE D. 650		16	* CE04010272	ENSEMBLE DIFFUSEUR D. 950 2"	
10	* CE04010242	SOCLE FILTRE D. 800		16	* CE04010247	ENSEMBLE DIFFUSEUR D. 950 2 1/2"	
10	* CE04010293	SOCLE FILTRE D. 950		17	* CE04301004	DIFUSOR CONIQUE SUPERIOR D. 50	
11	* CE04040024	DÉCHARGE DE SABLE - EAU		17	* CE04300910	DIFUSOR CONIQUE SUPERIOR D. 63	

CODE **FAHS650N, FAHS800N, FAHS950N**DESCRIPTION: **FILTRE ALPINE (CREPINAS)**

12	* CE04303004	ENSEMBLE PURGE	17	* CE04190324	DIFUSOR CONIQUE SUPÉRIOR D. 75
13	* CE04040103	RACCORD 1 1/2" + JOINT TORIQU "	18	* 36055R0423	SUPPORT COLLECTEUR D. 1050

CODE **FAHS650N, FAHS800N, FAHS950N**

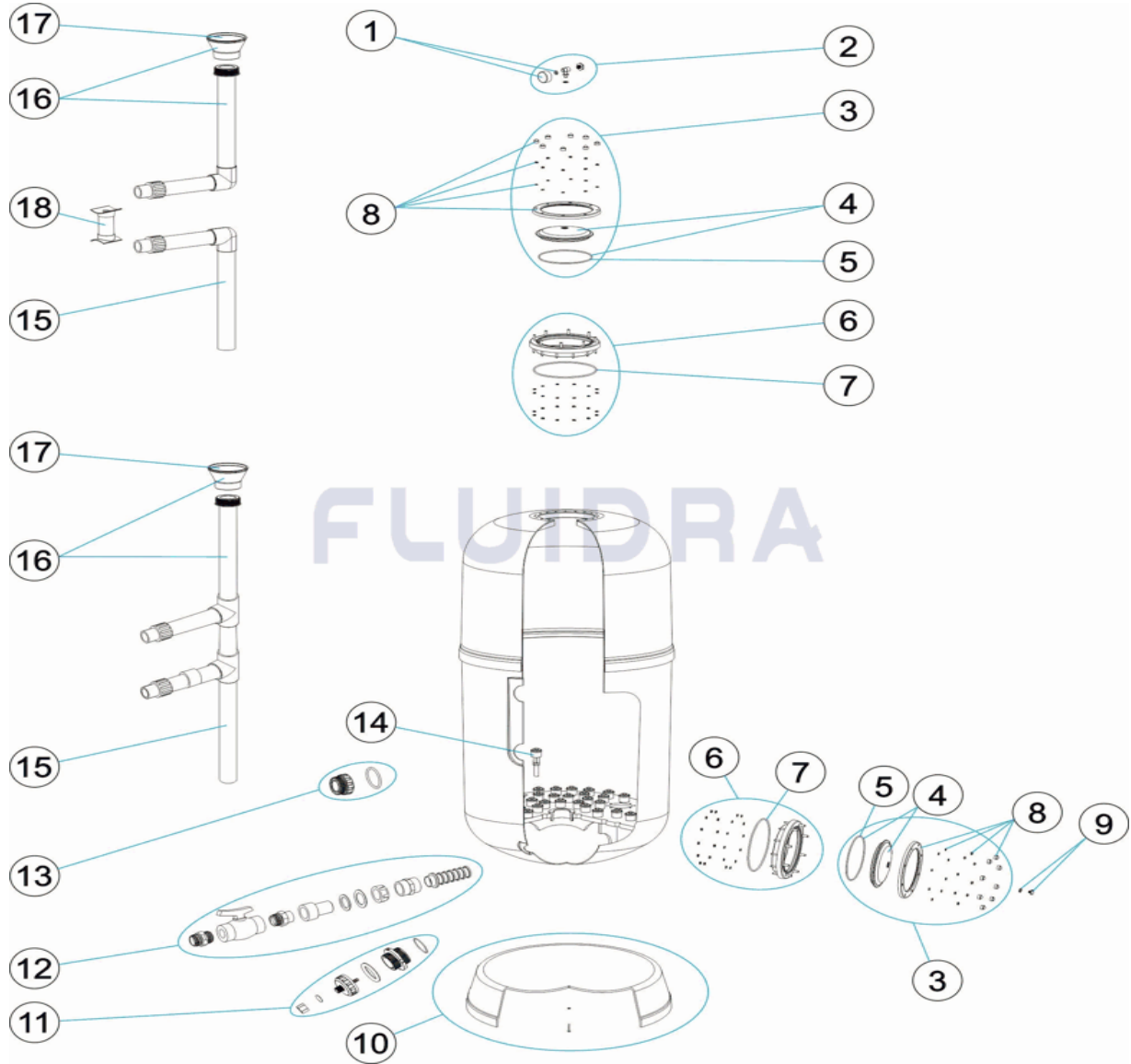
DESCRIPTION: **FILTRE ALPINE (CREPINAS)**

## OBSERVATIONS

POS	CODE	OBSERVATIONS
10	* CE04010241	POUR: FAHS650N
10	* CE04010242	POUR: FAHS800N
10	* CE04010293	POUR: FAHS950N
11	* CE04040024	POUR: FAHS950N
12	* CE04303004	POUR: FAHS650N, FAHS800N
13	* CE04040103	POUR: FAHS650N
13	* CE04040112	POUR: FAHS800N, FAHS950N FAHS950N < 2009
13	* CE04290108	POUR: FAHS950N > 2009
14	* CE04161535	POUR: FAHS650N [22UT], FAHS800N [40UT], FAHS950N [62UT]
15	* CE04010278	POUR: FAHS650N
15	* CE04010279	POUR: FAHS800N
15	* CE04010280	POUR: FAHS950N < 2009
15	* CE04010281	POUR: FAHS950N > 2009
16	* CE04010245	POUR: FAHS650N
16	* CE04010361	POUR: FAHS800N
16	* CE04010272	POUR: FAHS950N < 2009
16	* CE04010247	POUR: FAHS950N > 2009
17	* CE04301004	POUR: FAHS650N
17	* CE04300910	POUR: FAHS800N, FAHS950N < 2009
17	* CE04190324	POUR: FAHS950N > 2009
18	* 36055R0423	POUR: FAHS950N > 2009

CODE FAHS650N, FAHS800N, FAHS950N

DESCRIPTION: ALPINE FILTER (CREPINAS)



**ENGLISH**

POS	CODE	DESCRIPTION	QUANTITY	POS	CODE	DESCRIPTION	QUANTITY
1	CE04180405	PRESSURE GAUGE 1/8" 3 KG./C "		13	* CE04040112	2" OUTLET FITTING + O'RIN "	
2	CE04180404	COMPLETE PRESSURE GAUGE UNIT		13	* CE04290108	OUTLETUNION 2 1/2" + O-RIN "	
3	CE04303002	SET LID		14	* CE04161535	STRAINER 0,5 MM	
4	CE04160847	FILTER LID D. 220 BLACK		15	* CE04010278	MANIFOLD ASSEMBLY D. 650	
5	CE04260106	VALVE TOP RING FIXING GASKET		15	* CE04010279	MANIFOLD ASSEMBLY D 800	
6	CE04160809	20-SCREW NECK RING		15	* CE04010280	MANIFOLD ASSEMBLY D 950 2"	
7	CE04020116	O' RING 255X4		15	* CE04010281	MANIFOLD ASSEMBLY D 950 2 1/2"	
8	CE04303001	LIF FIXING RING		16	* CE04010245	DIFFUSER ASSEMBLY D. 650	
9	CE04130107	ANONYMOUS CAP		16	* CE04010361	DIFFUSER ASSEMBLY D. 800	
10	* CE04010241	FILTER BASE D. 650		16	* CE04010272	DIFFUSER ASSEMBLY D. 950 2"	
10	* CE04010242	FILTER BASE D. 800		16	* CE04010247	DIFFUSER ASSEMBLY D. 950 2 1/2"	
10	* CE04010293	FILTER BASE D. 950		17	* CE04301004	DIFFUSER CONE D. 50	
11	* CE04040024	SAND - WATER UNLOAD		17	* CE04300910	DIFFUSER CONE D. 63	



# PARTS BREAKDOWN

REV.: 4  
DATE: 31/08/2020  
SHEET: 2/3

976

CODE FAHS650N, FAHS800N, FAHS950N

DESCRIPTION: ALPINE FILTER (CREPINAS)

12	* CE04303004	DRAIN SET	17	* CE04190324	DIFFUSER CONE D. 75
13	* CE04040103	FITTING 1 1/2" + O'RIN "	18	* 36055R0423	SOPORTE COLECTOR - DIFUSOR D. 1050



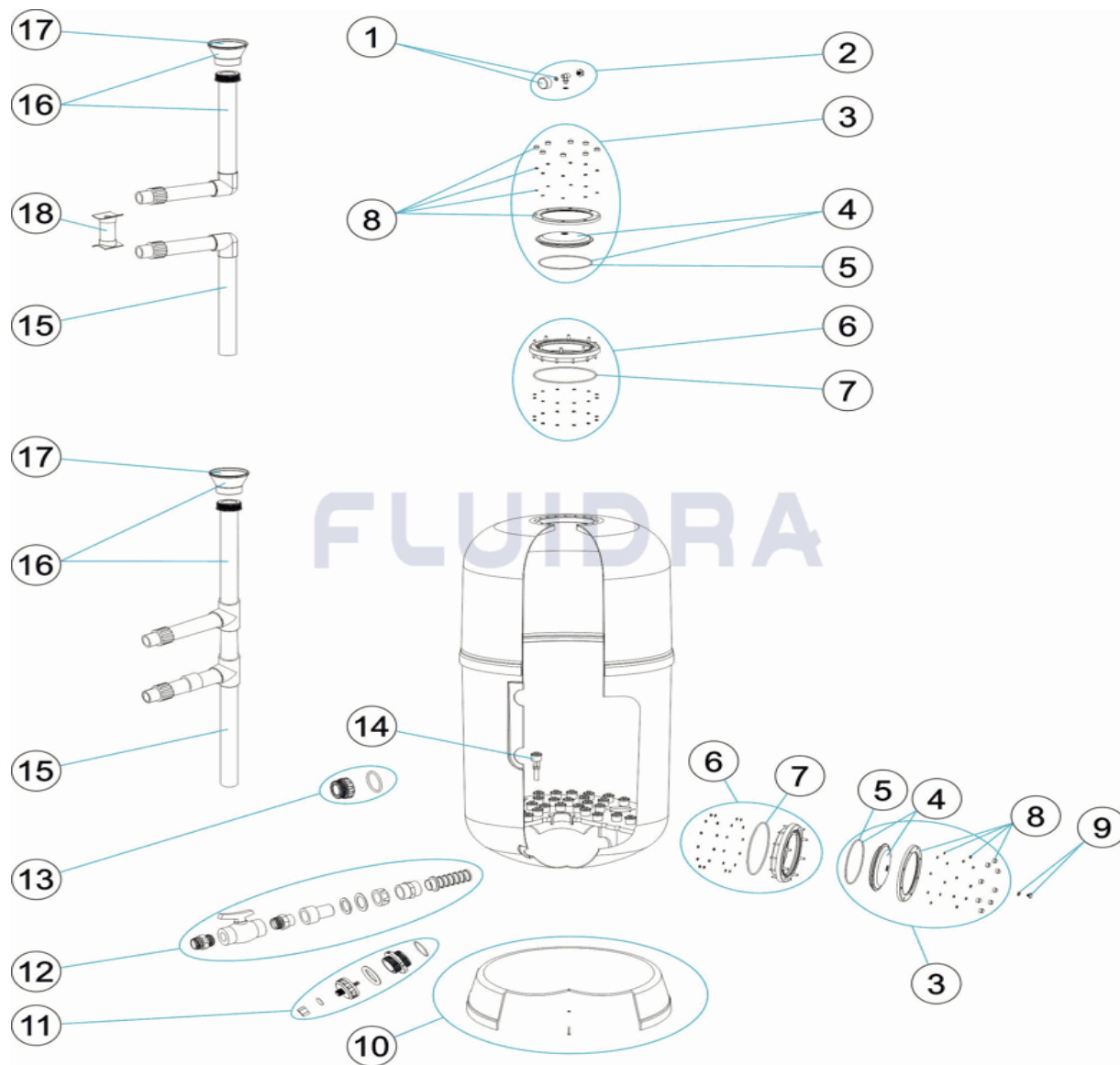
CODE **FAHS650N, FAHS800N, FAHS950N**

DESCRIPTION: **ALPINE FILTER (CREPINAS)**

## OBSERVATIONS

POS	CODE	OBSERVATIONS
10	* CE04010241	FOR: FAHS650N
10	* CE04010242	FOR: FAHS800N
10	* CE04010293	FOR: FAHS950N
11	* CE04040024	FOR: FAHS950N
12	* CE04303004	FOR: FAHS650N, FAHS800N
13	* CE04040103	FOR: FAHS650N
13	* CE04040112	FOR: FAHS800N, FAHS950N FAHS950N < 2009
13	* CE04290108	FOR: FAHS950N > 2009
14	* CE04161535	FOR: FAHS650N [22UT], FAHS800N [40UT], FAHS950N [62UT]
15	* CE04010278	FOR: FAHS650N
15	* CE04010279	FOR: FAHS800N
15	* CE04010280	FOR: FAHS950N < 2009
15	* CE04010281	FOR: FAHS950N > 2009
16	* CE04010245	FOR: FAHS650N
16	* CE04010361	FOR: FAHS800N
16	* CE04010272	FOR: FAHS950N < 2009
16	* CE04010247	FOR: FAHS950N > 2009
17	* CE04301004	FOR: FAHS650N
17	* CE04300910	FOR: FAHS800N, FAHS950N < 2009
17	* CE04190324	FOR: FAHS950N > 2009
18	* 36055R0423	FOR: FAHS950N > 2009

CODICE **FAHS650N, FAHS800N, FAHS950N**

 DESCRIZIONE: **FILTRO ALPINE (UGELLI)**

**ITALIANO**

POS	CODICE	DESCRIZIONE	QUANTITA'	POS	CODICE	DESCRIZIONE	QUANTITA'
1	CE04180405	MANOMETRO 1/8" 3 KG./C "		13	* CE04040112	RACCORDO USCITA 2" + O-RING	
2	CE04180404	MANOMETRO COMPLETO		13	* CE04290108	RACCORDO USCITA 2 1/2" + O-RIN "	
3	CE04303002	GRUPPO COPERCHIO		14	* CE04161535	DIFFUSORE 0,5 MM	
4	CE04160847	COPERCHIO FILTRO D. 220 NERO		15	* CE04010278	KIT COLLETTORE D. 650	
5	CE04260106	GUARNIZIONE FLANGIA FISSAGGIO VALVOL		15	* CE04010279	KIT COLLETTORE D 800	
6	CE04160809	ANELLO COLLO 20 VITI		15	* CE04010280	KIT COLLETTORE D 950 2"	
7	CE04020116	O-RING 255X4		15	* CE04010281	KIT COLLETTORE D 950 2 1/2"	
8	CE04303001	FLANGIA FISSAGGIO COPERCHIO		16	* CE04010245	RACCORDO DIFFUSORE D. 650	
9	CE04130107	APPO 1/4" SCARICO ANONIMO CON GUAF		16	* CE04010361	RACCORDO DIFFUSORE D. 800	
10	* CE04010241	BASE FILTRO D. 650		16	* CE04010272	RACCORDO DIFFUSORE D. 950 2"	
10	* CE04010242	BASE FILTRO D. 800		16	* CE04010247	RACCORDO DIFFUSORE D. 950 2 1/2"	
10	* CE04010293	BASE FILTRO D. 950		17	* CE04301004	CONO DIFFUSORE D. 50	
11	* CE04040024	SCARICA SABBIA - ACQUA		17	* CE04300910	CONO DIFFUSORE D. 63	

\* SI FACCIA RIFERIMENTO AL FOGLIO DELLE OSSERVAZIONI

CODICE **FAHS650N, FAHS800N, FAHS950N**DESCRIZIONE: **FILTRO ALPINE (UGELLI)**

12	* CE04303004	KIT SCARICO	17	* CE04190324	CONO DIFFUSORE D. 75
13	* CE04040103	RACCORDO 1 1/2" + O-RIN *	18	* 36055R0423	SUPPORTO COLLETTORE D. 1050

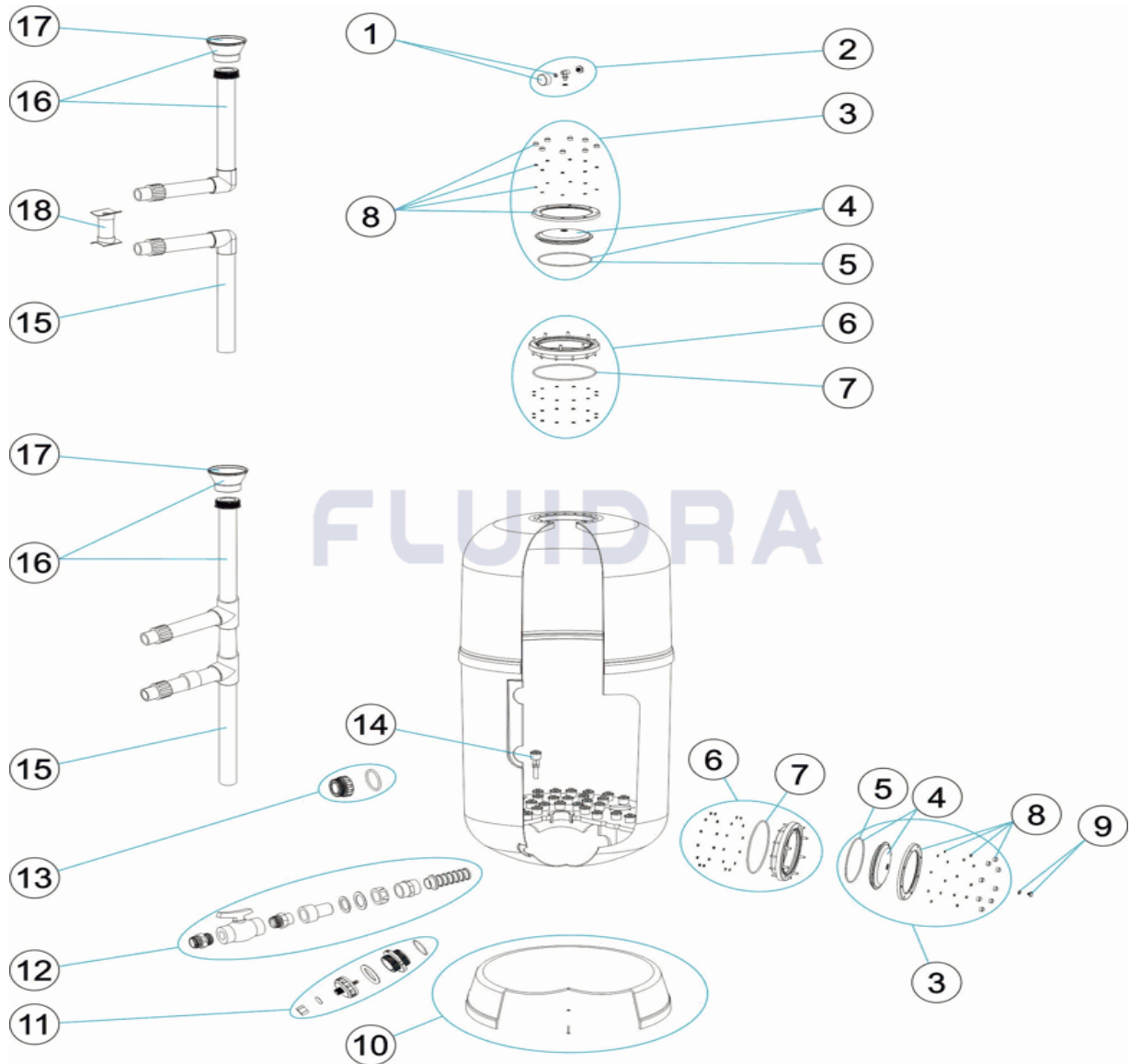
CODICE **FAHS650N, FAHS800N, FAHS950N**

DESCRIZIONE: **FILTRO ALPINE (UGELLI)**

## OSSERVAZIONI

POS	CODICE	OSSERVAZIONI
10	* CE04010241	PER: FAHS650N
10	* CE04010242	PER: FAHS800N
10	* CE04010293	PER: FAHS950N
11	* CE04040024	PER: FAHS950N
12	* CE04303004	PER: FAHS650N, FAHS800N
13	* CE04040103	PER: FAHS650N
13	* CE04040112	PER: FAHS800N, FAHS950N FAHS950N < 2009
13	* CE04290108	PER: FAHS950N > 2009
14	* CE04161535	PER: FAHS650N [22UT], FAHS800N [40UT], FAHS950N [62UT]
15	* CE04010278	PER: FAHS650N
15	* CE04010279	PER: FAHS800N
15	* CE04010280	PER: FAHS950N < 2009
15	* CE04010281	PER: FAHS950N > 2009
16	* CE04010245	PER: FAHS650N
16	* CE04010361	PER: FAHS800N
16	* CE04010272	PER: FAHS950N < 2009
16	* CE04010247	PER: FAHS950N > 2009
17	* CE04301004	PER: FAHS650N
17	* CE04300910	PER: FAHS800N, FAHS950N < 2009
17	* CE04190324	PER: FAHS950N > 2009
18	* 36055R0423	PER: FAHS950N > 2009

CODE **FAHS650N, FAHS800N, FAHS950N**

 BESCHREIBUNG: **FILTER ALPINE (FILTERSTOPFEN)**

**DEUTSCH**

POS	CODE	BESCHREIBUNG	MENGE	POS	CODE	BESCHREIBUNG	MENGE
1	CE04180405	MANOMETER 1/8" 3 KG/C "		13	* CE04040112	GEWINDESTÜCK AUSGANG 2" UND O-RIN '	
2	CE04180404	MANOMETER KOMPLETT		13	* CE04290108	GEWINDESTÜCK AUSGANG 2 1/2" UND O-F	
3	CE04303002	GRUPPE FILTERDECKEL SCHWARZ MIT SX		14	* CE04161535	FILTERSTOPFEN 0,5 MM	
4	CE04160847	FILTERDECKEL D. 220 SCHWARZ		15	* CE04010278	SAMMELROHRSET D. 650	
5	CE04260106	DICHTUNG FIXIERRING VENTIL		15	* CE04010279	SAMMELROHRSET D. 800	
6	CE04160809	FILTERRING 20 SCHRAUBEN		15	* CE04010280	SAMMELROHRSET D. 950 2"	
7	CE04020116	O-RING 255 X 4		15	* CE04010281	SAMMELROHRSET D. 950 2 1/2"	
8	CE04303001	FIXIERRING ABDECKUNG		16	* CE04010245	SET WASSERVERTEILER D. 650	
9	CE04130107	ABLASSSTOPFEN 1/4" ANONYM UND DICH		16	* CE04010361	SET WASSERVERTEILER D. 800	
10	* CE04010241	FILTERFUSS D. 650		16	* CE04010272	SET WASSERVERTEILER D. 950 2"	
10	* CE04010242	FILTERFUSS D. 800		16	* CE04010247	SET WASSERVERTEILER D. 950 2 1/2"	
10	* CE04010293	FILTERFUSS D. 950		17	* CE04301004	KEGEL WASSERVERTEILER D. 50	
11	* CE04040024	SANDAUSLASS - ABLASS		17	* CE04300910	KEGEL WASSERVERTEILER D. 63	

\* SIEHE ANMERKUGSBLATT

CODE **FAHS650N, FAHS800N, FAHS950N**BESCHREIBUNG: **FILTER ALPINE (FILTERSTOPFEN)**

12	* CE04303004	SET ABLASS	17	* CE04190324	KEGEL WASSERVERTEILER D. 75
13	* CE04040103	GEWINDESTÜCK 1 1/2" UND O-RIN "	18	* 36055R0423	HALTERUNG SAMMELROHR - WASSERVER

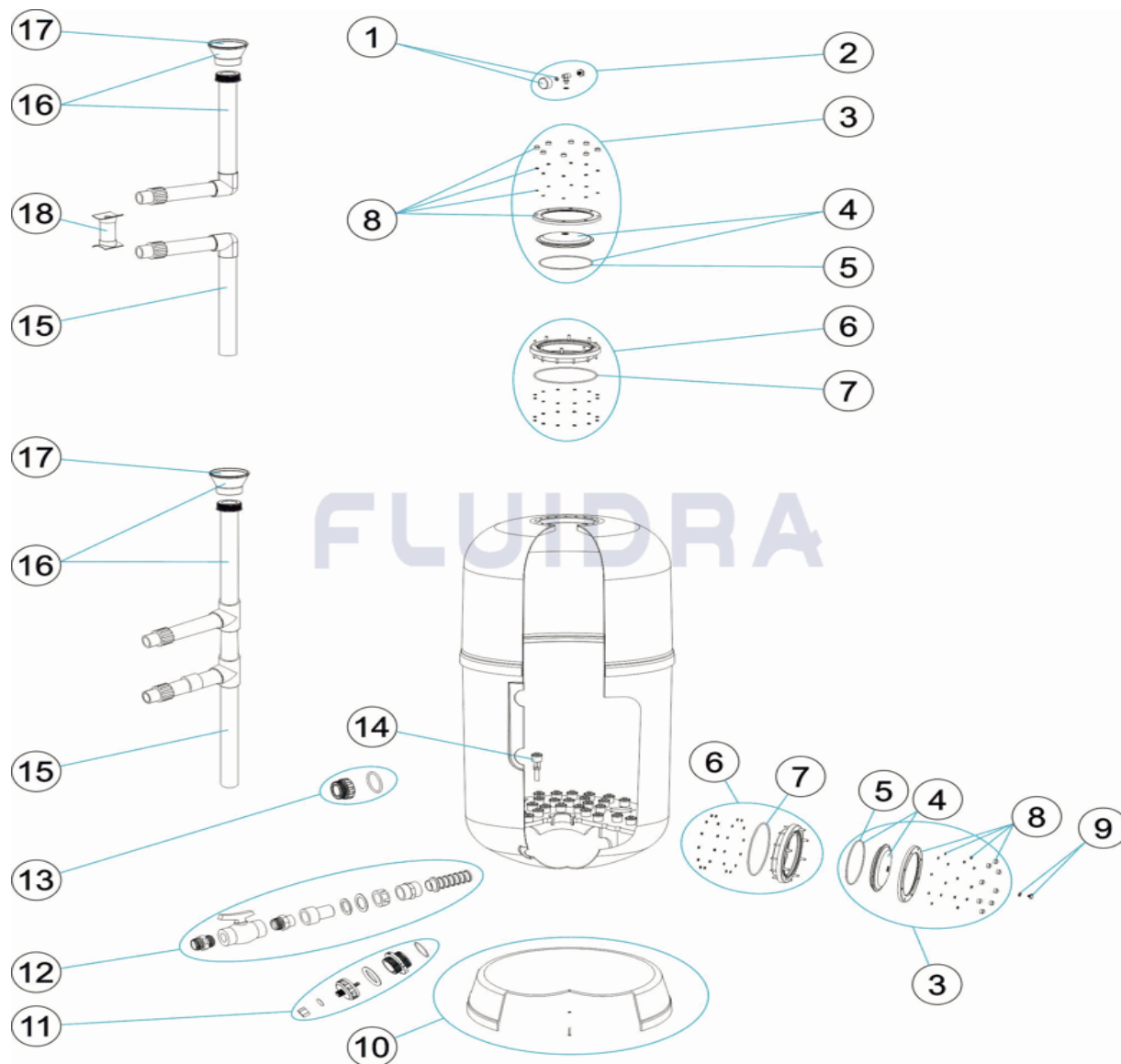
CODE **FAHS650N, FAHS800N, FAHS950N**

BESCHREIBUNG: **FILTER ALPINE (FILTERSTOPFEN)**

## HINWEISE

POS	CODE	HINWEISE
10	* CE04010241	FÜR: FAHS650N
10	* CE04010242	FÜR: FAHS800N
10	* CE04010293	FÜR: FAHS950N
11	* CE04040024	FÜR: FAHS950N
12	* CE04303004	FÜR: FAHS650N, FAHS800N
13	* CE04040103	FÜR: FAHS650N
13	* CE04040112	FÜR: FAHS800N, FAHS950N FAHS950N < 2009
13	* CE04290108	FÜR: FAHS950N > 2009
14	* CE04161535	FÜR: FAHS650N [22UT], FAHS800N [40UT], FAHS950N [62UT]
15	* CE04010278	FÜR: FAHS650N
15	* CE04010279	FÜR: FAHS800N
15	* CE04010280	FÜR: FAHS950N < 2009
15	* CE04010281	FÜR: FAHS950N > 2009
16	* CE04010245	FÜR: FAHS650N
16	* CE04010361	FÜR: FAHS800N
16	* CE04010272	FÜR: FAHS950N < 2009
16	* CE04010247	FÜR: FAHS950N > 2009
17	* CE04301004	FÜR: FAHS650N
17	* CE04300910	FÜR: FAHS800N, FAHS950N < 2009
17	* CE04190324	FÜR: FAHS950N > 2009
18	* 36055R0423	FÜR: FAHS950N > 2009

CODIGO **FAHS650N, FAHS800N, FAHS950N**

 DESCRIÇÃO: **FILTRO ALPINE (CREPINAS)**

**PORTUGUES**

POS	CODIGO	DESCRIÇÃO	JANTIDADE	POS	CODIGO	DESCRIÇÃO	JANTIDADE
1	CE04180405	MANOMETRO 1/8" 3 KG./C "		13	* CE04040112	ACOPLADOR SAÍDA 2" + JUNTA TORIC "	
2	CE04180404	MANÓMETRO COMPLETO		13	* CE04290108	RACORD DE SAIDA 2 1/2" + JUNTA TÓRIC "	
3	CE04303002	CONJUNTO TAMPA		14	* CE04161535	RALO 0,5 MM	
4	CE04160847	TAMPA FILTRO D.220 NEGRA		15	* CE04010278	CJTO. COLECTOR D 650	
5	CE04260106	JUNTA ARO FIXAÇÃO VALVULA TOP		15	* CE04010279	CJTO. COLECTOR D 800	
6	CE04160809	ARO PESCOÇOÇO 20 PARAFUSOS		15	* CE04010280	CJTO. COLECTOR D 950 2"	
7	CE04020116	JUNTA TÓRICA 255X4		15	* CE04010281	CJTO. COLECTOR D 950 2 1/2"	
8	CE04303001	ARO FIXAÇÃO TAMPA		16	* CE04010245	CJTO. DIFUSOR D. 650	
9	CE04130107	TAMPAO PURGA 1/4" ANONIMO COM JUN"		16	* CE04010361	CJTO. DIFUSOR D. 800	
10	* CE04010241	PÉ FILTRO D. 650		16	* CE04010272	CJTO. DIFUSOR D. 950 2"	
10	* CE04010242	PÉ FILTRO D. 800		16	* CE04010247	CJTO. DIFUSOR D. 950 2 1/2"	
10	* CE04010293	PÉ FILTRO D. 950		17	* CE04301004	CONO DIFUSOR D. 50	
11	* CE04040024	DESCARREGAAREIA - ÁGUA		17	* CE04300910	CONO DIFUSOR D. 63	

\* VEJA A FICHA DE OBSERVAÇÕES



CODIGO **FAHS650N, FAHS800N, FAHS950N**DESCRIÇÃO: **FILTRO ALPINE (CREPINAS)**

12	* CE04303004	CONJUNTO PURDA AREIA	17	* CE04190324	CONO DIFUSOR D. 75
13	* CE04040103	RACORD 1 1/2" JUNTA TORIC "	18	* 36055R0423	SUPORTE COLECTOR D. 1050

CODIGO **FAHS650N, FAHS800N, FAHS950N**DESCRIÇÃO: **FILTRO ALPINE (CREPINAS)****OBSERVAÇÕES**

POS	CODIGO	OBSERVAÇÕES
10	* CE04010241	PARA: FAHS650N
10	* CE04010242	PARA: FAHS800N
10	* CE04010293	PARA: FAHS950N
11	* CE04040024	PARA: FAHS950N
12	* CE04303004	PARA: FAHS650N, FAHS800N
13	* CE04040103	PARA: FAHS650N
13	* CE04040112	PARA: FAHS800N, FAHS950N FAHS950N < 2009
13	* CE04290108	PARA: FAHS950N > 2009
14	* CE04161535	PARA: FAHS650N [22UT], FAHS800N [40UT], FAHS950N [62UT]
15	* CE04010278	PARA: FAHS650N
15	* CE04010279	PARA: FAHS800N
15	* CE04010280	PARA: FAHS950N < 2009
15	* CE04010281	PARA: FAHS950N > 2009
16	* CE04010245	PARA: FAHS650N
16	* CE04010361	PARA: FAHS800N
16	* CE04010272	PARA: FAHS950N < 2009
16	* CE04010247	PARA: FAHS950N > 2009
17	* CE04301004	PARA: FAHS650N
17	* CE04300910	PARA: FAHS800N, FAHS950N < 2009
17	* CE04190324	PARA: FAHS950N > 2009
18	* 36055R0423	PARA: FAHS950N > 2009