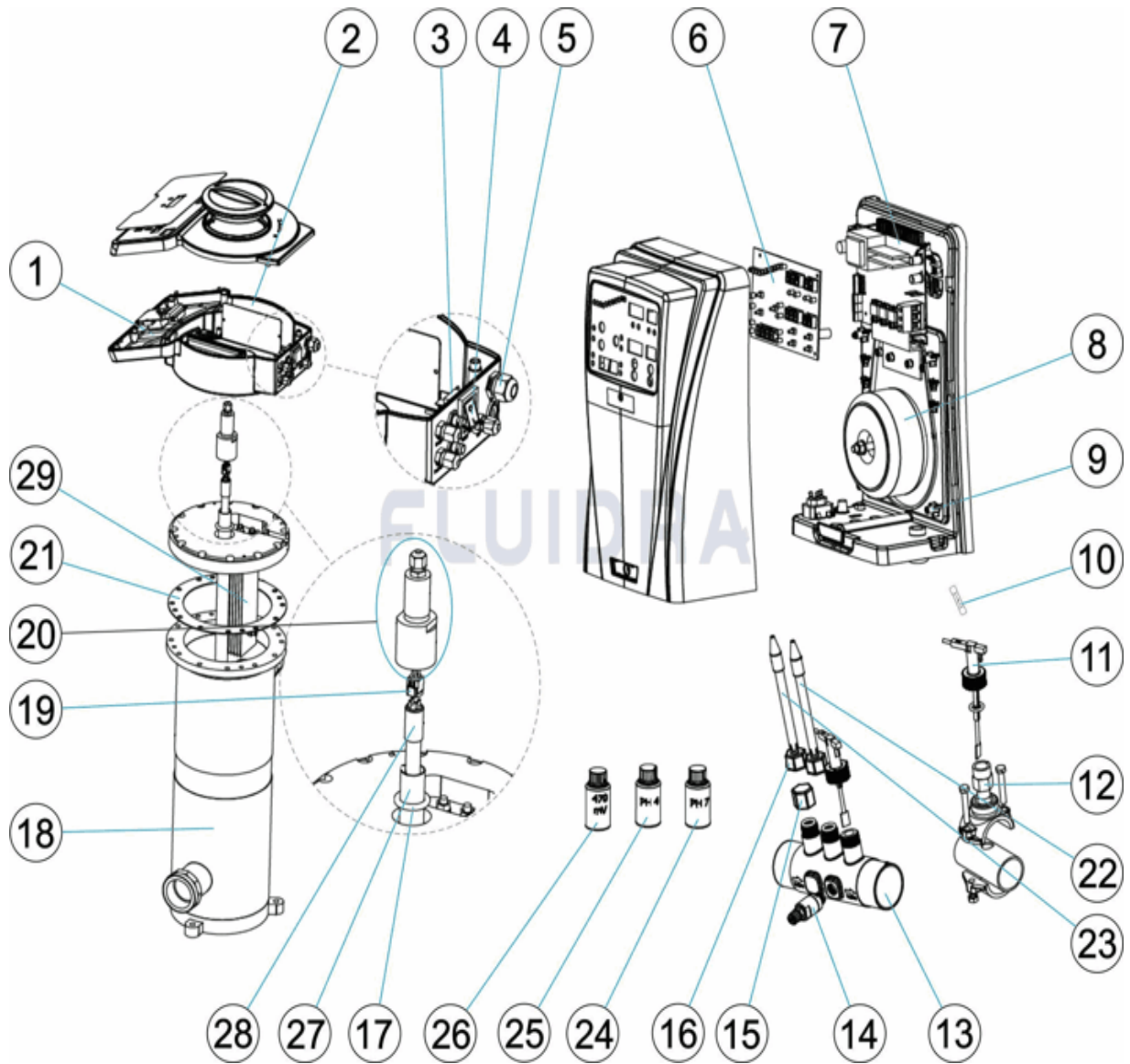


CODIGO 57744, 57745, 57746, 57747, 57748, 57749, 57750, 57751, 57752, 66126, 66127, 66128, 66129, 66130, 66138, 66139, 66140, 66141

DESCRIPCION: SISTEMA NEOLYSIS PISCINA PRIVADA NEO-12, NEO-24, NEO-32



ESPAÑOL

POS	CODIGO	DESCRIPCION	CANTIDAD	POS	CODIGO	DESCRIPCION	CANTIDAD
1	4408070066	UV TARJETA ELECTRONICA		7	* 4408040060	TARJETA POTENCIA AC-30/PH	
2	4408070061	BALASTRO LP 10, 14		7	* 4408041305	TARJETA POTENCIA AC-30 (PH/ORP)	
3	* 4408070069	CONECTOR BCN		8	* 4408041106	TRANSFORMADOR 190 VA	
4	4408070065	INTERRUPTOR		8	* 4408041107	TRANSFORMADOR 370 VA	
5	4408041015	PORTAFUSIBLES 6X32 CHASIS		8	* 4408041202	TRANSFORMADOR 480 VA	
6	* 4408040011	TARJETA VISUALIZADORA ELECTROLISIS		9	4408040523	PORTAFUSIBLE 5X20 CHASIS	
6	* 4408040134	TARJETA VISUALIZADORA NEOLYSIS		10	* 4408041113	FUSIBLE 2A	
6	* 4408040012	TARJETA VISUALIZADORA ELECTROLISIS		10	* 4408041114	FUSIBLE 3A	
7	* 4408041207	TARJETA POTENCIA AC-12		10	* 4408041204	FUSIBLE 4A	
7	* 4408040058	TARJETA POTENCIA AC-12/PH		11	71124	FLUJOSTATO	
7	* 4408041303	TARJETA POTENCIA AC-12 (PH/ORP)		12	* 4408041210	REDUCCION ROSCADA 3/4" 1/2"	
7	* 4408041115	TARJETA POTENCIA AC-22		13	* 70968	PORTASONDAS	

CODIGO **57744, 57745, 57746, 57747, 57748, 57749, 57750, 57751, 57752, 66126, 66127, 66128, 66129, 66130, 66138, 66139, 66140, 66141**

DESCRIPCION: SISTEMA NEOLYSIS PISCINA PRIVADA NEO-12, NEO-24, NEO-32

7	* 4408040059	TARJETA POTENCIA AC-22/PH	13	* 74493	PORTASONDAS
7	* 4408041304	TARJETA POTENCIA AC-22 (PH/ORP)	14	* 4408040068	VALVULA INYECCION PH-MINUS 3/8"
7	* 4408041208	TARJETA POTENCIA AC-30	15	* 4408040067	TAPON Sonda PH/ORP PORTASONDA
15	* 4408060121	TAPON NEGRO OBTURADOR + JUNTA	25	* 60632	TAMPON PH 4,0 50 ML. (ROJO)
16	* 4408040604	PORTAELECTRODOS PE 12M/M-1/2"	26	* 60633	SOLUCION CALIBRACION 470MV.
16	* 4408040444	PORTAELECTRODOS	27	60607	CUARZO UV LP-10,14
17	4408070077	JUNTA TORICA	28	* 60559	LAMPARA UV LP-10
18	4408040133	CELULA NEOLYSIS PIS. PRIV.	28	* 60606	LAMPARA UV LP-14
19	4408070059	CONECTOR 4PIN	29	* 61116	RECAMBIO ELECTRODO NEOLYSIS 12GR/l
20	4408070078	CJTO. TUERCAS	29	* 67807	RECAMBIO ELECTRODO NEOLYSIS 12GR/l
21	4408040132	JUNTA BRIDA CELULA NEOLYSIS EPDM	29	* 61117	RECAMBIO ELECTRODO NEOLYSIS 24GR/l
22	* 60648	ELECTRODO COMBINADO PH	29	* 67808	RECAMBIO ELECTRODO NEOLYSIS 24GR/l
23	* 60649	ELECTRODO ORP	29	* 61118	RECAMBIO ELECTRODO NEOLYSIS 32GR/l
24	* 60618	TAMPON PH 7,0 50 M/L. (VERDE)	29	* 67809	RECAMBIO ELECTRODO NEOLYSIS 32GR/l

CODIGO **57744, 57745, 57746, 57747, 57748, 57749, 57750, 57751, 57752, 66126, 66127, 66128, 66129, 66130, 66138, 66139, 66140, 66141**

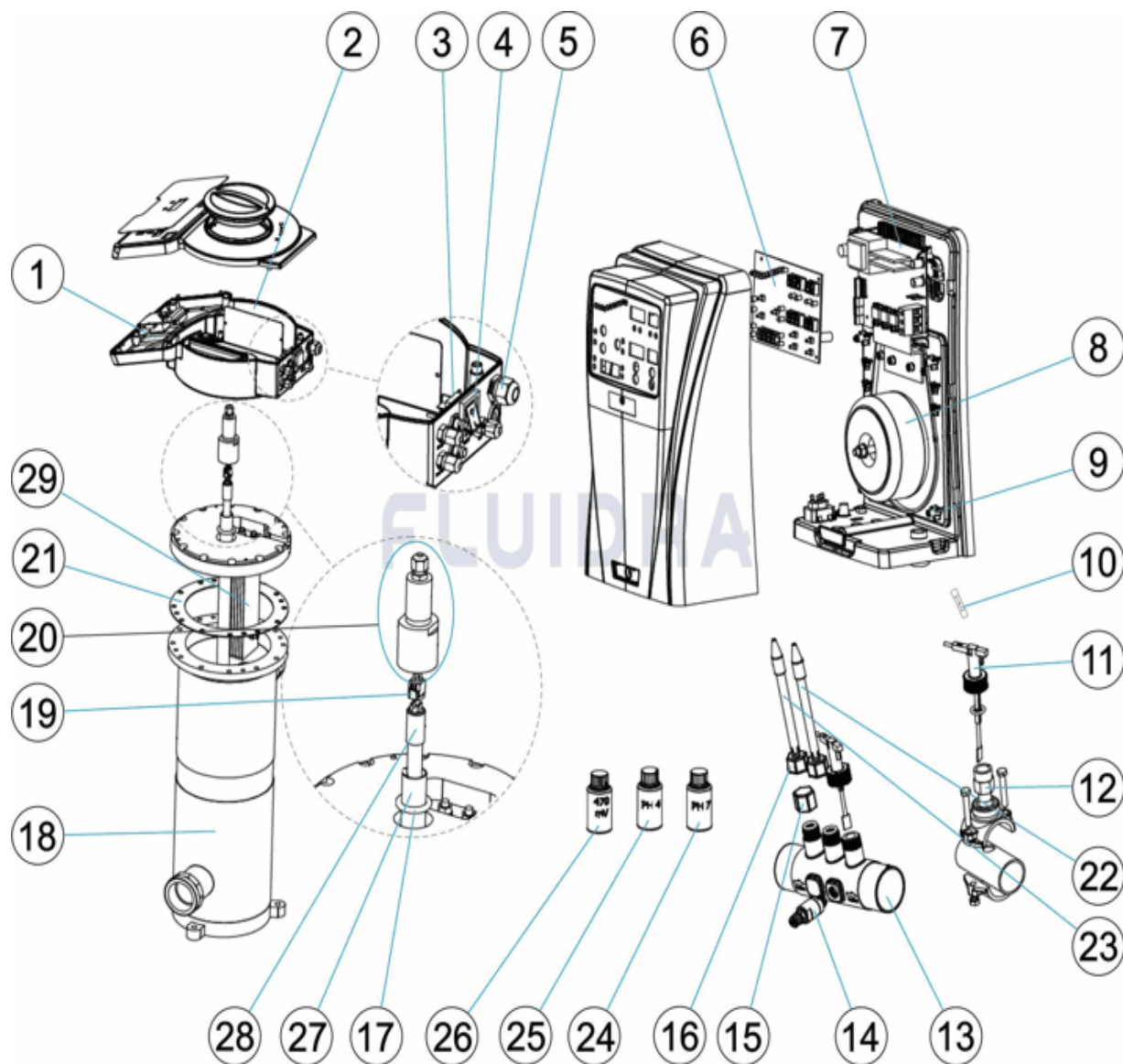
DESCRIPCION: SISTEMA NEOLYSIS PISCINA PRIVADA NEO-12, NEO-24, NEO-32

OBSERVACIONES

POS	CODIGO	OBSERVACIONES
3	* 4408070069	PARA: 57747, 57748, 57749, 57750, 57751, 57752, 66129, 66130, 66138, 66139, 66140, 66141
6	* 4408040011	PARA: 57744, 57745, 57746, 66126, 66127, 66128
6	* 4408040134	PARA: 57747, 57748, 57749, 66129, 66130, 66138
6	* 4408040012	PARA: 57750, 57751, 57752, 66139, 66140, 66141
7	* 4408041207	PARA: 57744, 66126
7	* 4408040058	PARA: 57747, 66130
7	* 4408041303	PARA: 57750, 66139
7	* 4408041115	PARA: 57745, 66127
7	* 4408040059	PARA: 57748, 66130
7	* 4408041304	PARA: 57751, 66140
7	* 4408041208	PARA: 57746, 66128
7	* 4408040060	PARA: 57749, 66138
7	* 4408041305	PARA: 57752, 66141
8	* 4408041106	PARA: 57744, 57747, 57750, 66126, 66129, 66139
8	* 4408041107	PARA: 57745, 57748, 57751, 66127, 66130, 66140
8	* 4408041202	PARA: 57746, 57749, 57752, 66128, 66138, 66141
10	* 4408041113	PARA: 57744, 57747, 57750, 66126, 66129, 66139
10	* 4408041114	PARA: 57745, 57748, 57751, 66127, 66130, 66140
10	* 4408041204	PARA: 57746, 57749, 57752, 66128, 66138, 66141
12	* 4408041210	PARA: 57744, 57745, 57746, 66126, 66127, 66128
13	* 70968	PARA: 57747, 57748, 57749, 57750, 57751, 57752, 66129, 66130, 66138, 66139, 66140, 66141
13	* 74493	PARA: 57747, 57748, 57749, 57750, 57751, 57752, 66129, 66130, 66138, 66139, 66140, 66141
14	* 4408040068	PARA: 57747, 57748, 57749, 57750, 57751, 57752, 66129, 66130, 66138, 66139, 66140, 66141
15	* 4408040067	PARA: 57747, 57748, 57749, 66129, 66130, 66138 70968
15	* 4408060121	PARA: 57747, 57749, 66129, 66130, 66138 74493
16	* 4408040604	PARA: 57747, 57748, 57749, 57750, 57751, 57752, 66129, 66130, 66138, 66139, 66140, 66141 70968
16	* 4408040444	PARA: 57747, 57748, 57749, 57750, 57751, 57752, 66129, 66130, 66138, 66139, 66140, 66141 74493
22	* 60648	PARA: 57747, 57748, 57749, 57750, 57751, 57752, 66129, 66130, 66138, 66139, 66140, 66141
23	* 60649	PARA: 57750, 57751, 57752, 66139, 66140, 66141
24	* 60618	PARA: 57745, 57746, 57748, 57749, 57751, 57752, 66127, 66128, 66130, 66138, 66140, 66141
25	* 60632	PARA: 57745, 57746, 57748, 57749, 57751, 57752, 66127, 66128, 66130, 66138, 66140, 66141
26	* 60633	PARA: 57750, 57751, 57752, 66139, 66140, 66141
28	* 60559	PARA: 57744, 57747, 57750, 66126, 66129, 66139
28	* 60606	PARA: 57745, 57746, 57748, 57749, 57751, 57752, 66127, 66128, 66130, 66138, 66140, 66141
29	* 61116	PARA: 57744, 57747, 57750
29	* 67807	PARA: 66126, 66129, 66139
29	* 61117	PARA: 57745, 57748, 57751
29	* 67808	PARA: 66127, 66130, 66140
29	* 61118	PARA: 57746, 57749, 57752
29	* 67809	PARA: 66128, 66138, 66141

CODE 57744, 57745, 57746, 57747, 57748, 57749, 57750, 57751, 57752, 66126, 66127, 66128, 66129, 66130, 66138, 66139, 66140, 66141

DESCRIPTION: SYSTÈME NEOLYSIS PISCINE PUBLIQUE NEO-12, NEO-24, NEO-32



FRANCAIS

POS	CODE	DESCRIPTION	QUANTITE	POS	CODE	DESCRIPTION	QUANTITE
1	4408070066	UV CARTE ÉLECTRONIQUE		7	* 4408040060	CARTE PUISSANCE AC-30/PH	
2	4408070061	BALLAST LP 10, 14		7	* 4408041305	CARTE PUISSANCE AC-30 (PH/ORP)	
3	* 4408070069	CONNECTEUR BCN		8	* 4408041106	TRANSFORMATEUR PUISSANCE 190VA	
4	4408070065	INTERRUPTEUR		8	* 4408041107	TRANSFORMATEUR PUISSANCE 370VA	
5	4408041015	PORTE-FUSIBLES 6X32 CASSIS		8	* 4408041202	TRANSFORMATEUR PUISSANCE 480VA	
6	* 4408040011	CARTE AFFICHEUR ÉLECTROLYSE DOM		9	4408040523	PORTE-FUSIBLES 5X20 CHASSIS	
6	* 4408040134	CARTE D'INDICATION NEOLYSIS		10	* 4408041113	FUSIBLE 2A	
6	* 4408040012	CARTE AFFICHEUR ÉLECTROLYSE DOM P		10	* 4408041114	FUSIBLE 3A	
7	* 4408041207	CARTE PUISSANCE AC-12		10	* 4408041204	FUSIBLE 4A	
7	* 4408040058	CARTE PUISSANCE AC-12/PH		11	71124	CONTROLEUR DE DEBIT	
7	* 4408041303	CARTE PUISSANCE AC-12 (PH/ORP)		12	* 4408041210	MANCHON PE 1/2" - 3/4"	
7	* 4408041115	CARTE PUISSANCE AC-22		13	* 70968	PORTE-SONDES	

* VOIR FICHE D'OBSERVATIONS

CODE **57744, 57745, 57746, 57747, 57748, 57749, 57750, 57751, 57752, 66126, 66127, 66128, 66129, 66130, 66138, 66139, 66140, 66141**

DESCRIPTION: **SYSTÈME NEOLYSIS PISCINE PUBLIQUE NEO-12, NEO-24, NEO-32**

7	* 4408040059	CARTE PUISSANCE AC-22/PH	13	* 74493	PORTE-SONDES
7	* 4408041304	CARTE PUISSANCE AC-22 (PH/ORP)	14	* 4408040068	VANNE INJECTION PH-MINUS 3/8"
7	* 4408041208	CARTE PUISSANCE AC-30	15	* 4408040067	BOUCHON M-25 H
15	* 4408060121	COUVERCLE NOIR DE FERMENTURE + JO	25	* 60632	TAMPON PH 4,0 50 ML. (ROUGE)
16	* 4408040604	PORTE-ÉLECTRODE PE 12MM. 1/2"	26	* 60633	SOLUTION CALIBRAGE 470 MV
16	* 4408040444	PORTE-ÉLECTRODE	27	60607	GAINÉ QUARTZ LP 10, 14
17	4408070077	JOINT TORIQUE	28	* 60559	LAMPE UV LP-10
18	4408040133	CELLULE NEOLYSIS	28	* 60606	LAMPE UV LP-14
19	4408070059	CONNECTEUR 4PIN	29	* 61116	RECHANGE ÉLECTRODE NEOLYSIS 12GR/I
20	4408070078	ENSEMBLE ÉCROUS	29	* 67807	RECHANGE ÉLECTRODE NEOLYSIS 12GR/I
21	4408040132	JOINT CELLULE NEOLYSIS EPDM	29	* 61117	RECHANGE ÉLECTRODE NEOLYSIS 24GR/I
22	* 60648	ELECTRODE COMBINÉE PH	29	* 67808	RECHANGE ÉLECTRODE NEOLYSIS 24GR/I
23	* 60649	ELECTRODE ORP	29	* 61118	RECHANGE ÉLECTRODE NEOLYSIS 32GR/I
24	* 60618	TAMPON PH 7,0 50 M/L. (VERT)	29	* 67809	RECHANGE ÉLECTRODE NEOLYSIS 32GR/I

CODE **57744, 57745, 57746, 57747, 57748, 57749, 57750, 57751, 57752, 66126, 66127, 66128, 66129, 66130, 66138, 66139, 66140, 66141**

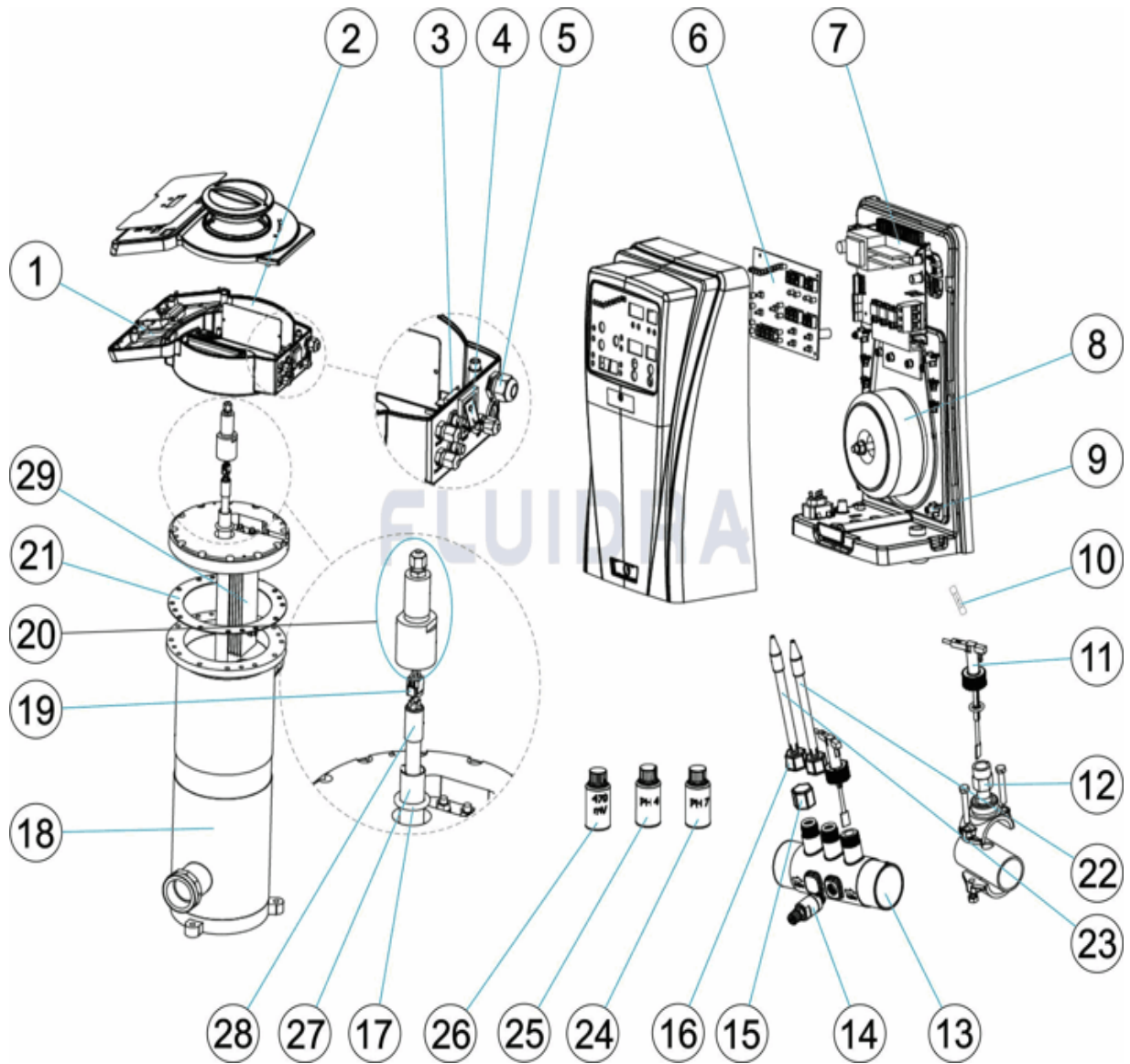
DESCRIPTION: **SYSTÈME NEOLYSIS PISCINE PUBLIQUE NEO-12, NEO-24, NEO-32**

OBSERVATIONS

POS	CODE	OBSERVATIONS
3	* 4408070069	POUR: 57747, 57748, 57749, 57750, 57751, 57752, 66129, 66130, 66138, 66139, 66140, 66141
6	* 4408040011	POUR: 57744, 57745, 57746, 66126, 66127, 66128
6	* 4408040134	POUR: 57747, 57748, 57749, 66129, 66130, 66138
6	* 4408040012	POUR: 57750, 57751, 57752, 66139, 66140, 66141
7	* 4408041207	POUR: 57744, 66126
7	* 4408040058	POUR: 57747, 66130
7	* 4408041303	POUR: 57750, 66139
7	* 4408041115	POUR: 57745, 66127
7	* 4408040059	POUR: 57748, 66130
7	* 4408041304	POUR: 57751, 66140
7	* 4408041208	POUR: 57746, 66128
7	* 4408040060	POUR: 57749, 66138
7	* 4408041305	POUR: 57752, 66141
8	* 4408041106	POUR: 57744, 57747, 57750, 66126, 66129, 66139
8	* 4408041107	POUR: 57745, 57748, 57751, 66127, 66130, 66140
8	* 4408041202	POUR: 57746, 57749, 57752, 66128, 66138, 66141
10	* 4408041113	POUR: 57744, 57747, 57750, 66126, 66129, 66139
10	* 4408041114	POUR: 57745, 57748, 57751, 66127, 66130, 66140
10	* 4408041204	POUR: 57746, 57749, 57752, 66128, 66138, 66141
12	* 4408041210	POUR: 57744, 57745, 57746, 66126, 66127, 66128
13	* 70968	POUR: 57747, 57748, 57749, 57750, 57751, 57752, 66129, 66130, 66138, 66139, 66140, 66141
13	* 74493	POUR: 57747, 57748, 57749, 57750, 57751, 57752, 66129, 66130, 66138, 66139, 66140, 66141
14	* 4408040068	POUR: 57747, 57748, 57749, 57750, 57751, 57752, 66129, 66130, 66138, 66139, 66140, 66141
15	* 4408040067	POUR: 57747, 57748, 57749, 66129, 66130, 66138 70968
15	* 4408060121	POUR: 57747, 57749, 66129, 66130, 66138 74493
16	* 4408040604	POUR: 57747, 57748, 57749, 57750, 57751, 57752, 66129, 66130, 66138, 66139, 66140, 66141 70968
16	* 4408040444	POUR: 57747, 57748, 57749, 57750, 57751, 57752, 66129, 66130, 66138, 66139, 66140, 66141 74493
22	* 60648	POUR: 57747, 57748, 57749, 57750, 57751, 57752, 66129, 66130, 66138, 66139, 66140, 66141
23	* 60649	POUR: 57750, 57751, 57752, 66139, 66140, 66141
24	* 60618	POUR: 57745, 57746, 57748, 57749, 57751, 57752, 66127, 66128, 66130, 66138, 66140, 66141
25	* 60632	POUR: 57745, 57746, 57748, 57749, 57751, 57752, 66127, 66128, 66130, 66138, 66140, 66141
26	* 60633	POUR: 57750, 57751, 57752, 66139, 66140, 66141
28	* 60559	POUR: 57744, 57747, 57750, 66126, 66129, 66139
28	* 60606	POUR: 57745, 57746, 57748, 57749, 57751, 57752, 66127, 66128, 66130, 66138, 66140, 66141
29	* 61116	POUR: 57744, 57747, 57750
29	* 67807	POUR: 66126, 66129, 66139
29	* 61117	POUR: 57745, 57748, 57751
29	* 67808	POUR: 66127, 66130, 66140
29	* 61118	POUR: 57746, 57749, 57752
29	* 67809	POUR: 66128, 66138, 66141

CODE **57744, 57745, 57746, 57747, 57748, 57749, 57750, 57751, 57752, 66126, 66127, 66128, 66129, 66130, 66138, 66139, 66140, 66141**

DESCRIPTION: **NEOLYSIS SYSTEM FOR PUBLIC POOL NEO-12, NEO-24, NEO-32**



ENGLISH

POS	CODE	DESCRIPTION	QUANTITY	POS	CODE	DESCRIPTION	QUANTITY
1	4408070066	UV ELECTRONIC CARD		7	* 4408040060	POWER CARD AC-30/PH	
2	4408070061	BALLAST LP 10, 14		7	* 4408041305	POWER CARD AC-30 (PH/ORP)	
3	* 4408070069	BCN CONNECTOR		8	* 4408041106	POWER TRANSFORMER 190 VA	
4	4408070065	CIRCUIT BREAKER		8	* 4408041107	POWER TRANSFORMER 370 VA	
5	4408041015	FUSE HOLDER 6X32		8	* 4408041202	POWER TRANSFORMER 480 VA	
6	* 4408040011	DOM ELECTROLYSIS VIEWER CARD		9	4408040523	FUSE HOLDER 5X20	
6	* 4408040134	DISPLAY/POWER CARD NEOLYSIS		10	* 4408041113	FUSE 2A	
6	* 4408040012	DOM PH/ORP ELECTROLYSIS VIEWER CAI		10	* 4408041114	FUSE 3A	
7	* 4408041207	POWER CARD AC-12		10	* 4408041204	FUSE 4A	
7	* 4408040058	POWER CARD AC-12/PH		11	71124	WATER FLOW SWITCH	
7	* 4408041303	POWER CARD AC-12 (PH/ORP)		12	* 4408041210	ADAPTOR SOCKET PE 1/2" - 3/4	
7	* 4408041115	POWER CARD AC-22		13	* 70968	SENSOR HOLDER	

*** SEE OBSERVATIONS SHEET**

CODE **57744, 57745, 57746, 57747, 57748, 57749, 57750, 57751, 57752, 66126, 66127, 66128, 66129, 66130, 66138, 66139, 66140, 66141**

DESCRIPTION: **NEOLYSIS SYSTEM FOR PUBLIC POOL NEO-12, NEO-24, NEO-32**

7	* 4408040059	POWER CARD AC-22/PH	13	* 74493	SENSOR HOLDER
7	* 4408041304	POWER CARD AC-22 (PH/ORP)	14	* 4408040068	PH-MINUS INJECTION VALVE 3/8"
7	* 4408041208	POWER CARD AC-30	15	* 4408040067	PLUG M-25 H
15	* 4408060121	BLACK OBTURATING PLUG + GASKET	25	* 60632	CALIBRATION SOLUTION PH 4,0 50 ML. (RE
16	* 4408040604	ELECTRODE CARRIER PE 12M/M.-1/2"	26	* 60633	CALIBRATION SOLUTION ORP 470 MV
16	* 4408040444	ELECTRODE CARRIER	27	60607	QUARTZ SLEEVE LP 10, 14
17	4408070077	O' RING	28	* 60559	LAMPELC UV LP-10
18	4408040133	NEOLYSIS CELL	28	* 60606	LAMPELC UV LP-14
19	4408070059	4PIN CONNECTOR	29	* 61116	ELECTRODE SPARE NEOLYSIS 12GR/H-48v
20	4408070078	NUTS	29	* 67807	ELECTRODE SPARE NEOLYSIS 12GR/H-48v
21	4408040132	CELL GASKET NEOLYSIS EPDM	29	* 61117	ELECTRODE SPARE NEOLYSIS 24GR/H-56v
22	* 60648	ELECTRODE PH	29	* 67808	ELECTRODE SPARE NEOLYSIS 24GR/H-56v
23	* 60649	ORP ELECTRODE	29	* 61118	ELECTRODE SPARE NEOLYSIS 32GR/H-56v
24	* 60618	CALIBRATION SOLUTION PH 7,0 50 M/L. (G	29	* 67809	ELECTRODE SPARE NEOLYSIS 32GR/H-56v

CODE **57744, 57745, 57746, 57747, 57748, 57749, 57750, 57751, 57752, 66126, 66127, 66128, 66129, 66130, 66138, 66139, 66140, 66141**

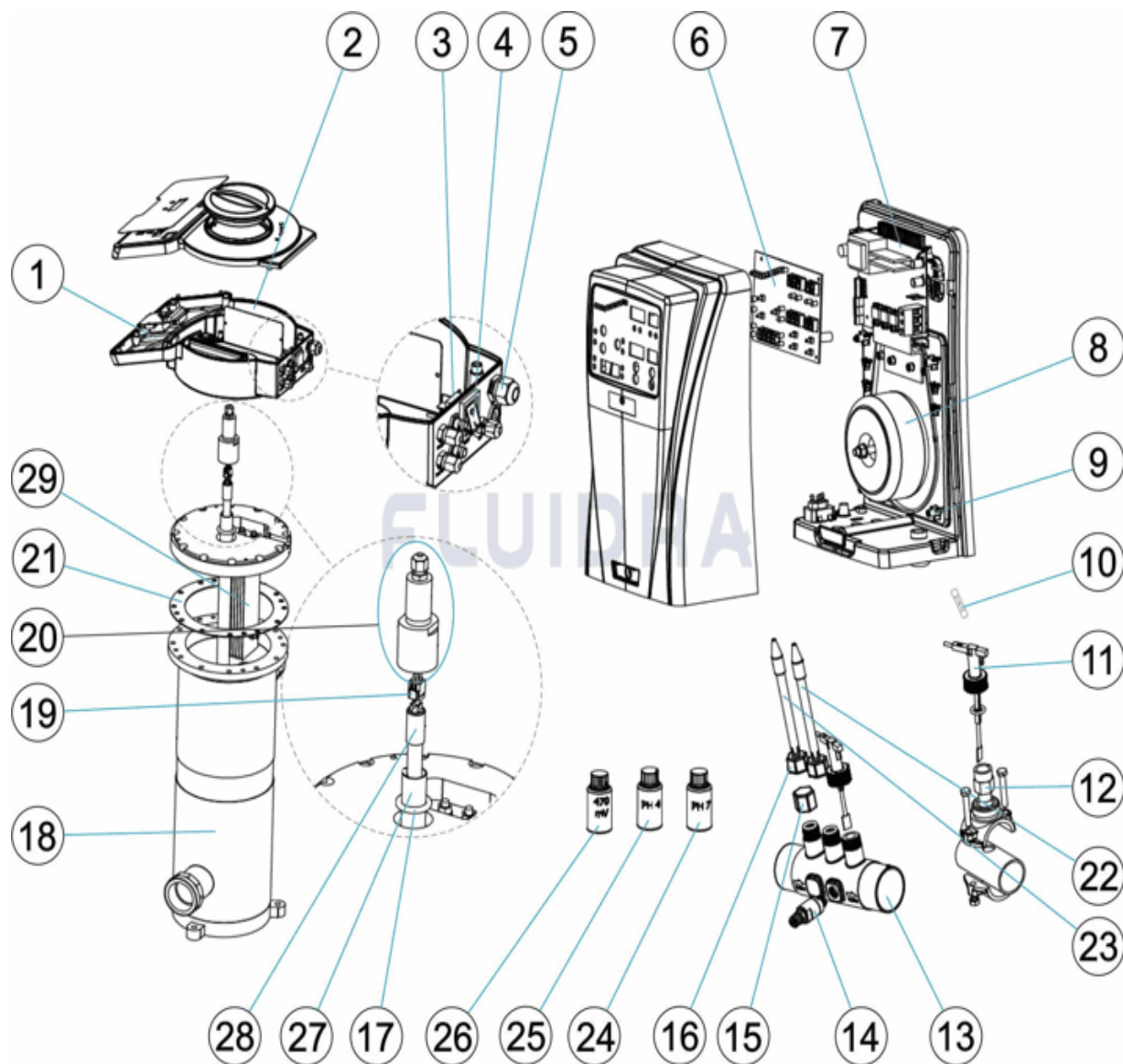
DESCRIPTION: **NEOLYSIS SYSTEM FOR PUBLIC POOL NEO-12, NEO-24, NEO-32**

OBSERVATIONS

POS	CODE	OBSERVATIONS
3	* 4408070069	FOR: 57747, 57748, 57749, 57750, 57751, 57752, 66129, 66130, 66138, 66139, 66140, 66141
6	* 4408040011	FOR: 57744, 57745, 57746, 66126, 66127, 66128
6	* 4408040134	FOR: 57747, 57748, 57749, 66129, 66130, 66138
6	* 4408040012	FOR: 57750, 57751, 57752, 66139, 66140, 66141
7	* 4408041207	FOR: 57744, 66126
7	* 4408040058	FOR: 57747, 66130
7	* 4408041303	FOR: 57750, 66139
7	* 4408041115	FOR: 57745, 66127
7	* 4408040059	FOR: 57748, 66130
7	* 4408041304	FOR: 57751, 66140
7	* 4408041208	FOR: 57746, 66128
7	* 4408040060	FOR: 57749, 66138
7	* 4408041305	FOR: 57752, 66141
8	* 4408041106	FOR: 57744, 57747, 57750, 66126, 66129, 66139
8	* 4408041107	FOR: 57745, 57748, 57751, 66127, 66130, 66140
8	* 4408041202	FOR: 57746, 57749, 57752, 66128, 66138, 66141
10	* 4408041113	FOR: 57744, 57747, 57750, 66126, 66129, 66139
10	* 4408041114	FOR: 57745, 57748, 57751, 66127, 66130, 66140
10	* 4408041204	FOR: 57746, 57749, 57752, 66128, 66138, 66141
12	* 4408041210	FOR: 57744, 57745, 57746, 66126, 66127, 66128
13	* 70968	FOR: 57747, 57748, 57749, 57750, 57751, 57752, 66129, 66130, 66138, 66139, 66140, 66141
13	* 74493	FOR: 57747, 57748, 57749, 57750, 57751, 57752, 66129, 66130, 66138, 66139, 66140, 66141
14	* 4408040068	FOR: 57747, 57748, 57749, 57750, 57751, 57752, 66129, 66130, 66138, 66139, 66140, 66141
15	* 4408040067	FOR: 57747, 57748, 57749, 66129, 66130, 66138 70968
15	* 4408060121	FOR: 57747, 57749, 66129, 66130, 66138 74493
16	* 4408040604	FOR: 57747, 57748, 57749, 57750, 57751, 57752, 66129, 66130, 66138, 66139, 66140, 66141 70968
16	* 4408040444	FOR: 57747, 57748, 57749, 57750, 57751, 57752, 66129, 66130, 66138, 66139, 66140, 66141 74493
22	* 60648	FOR: 57747, 57748, 57749, 57750, 57751, 57752, 66129, 66130, 66138, 66139, 66140, 66141
23	* 60649	FOR: 57750, 57751, 57752, 66139, 66140, 66141
24	* 60618	FOR: 57745, 57746, 57748, 57749, 57751, 57752, 66127, 66128, 66130, 66138, 66140, 66141
25	* 60632	FOR: 57745, 57746, 57748, 57749, 57751, 57752, 66127, 66128, 66130, 66138, 66140, 66141
26	* 60633	FOR: 57750, 57751, 57752, 66139, 66140, 66141
28	* 60559	FOR: 57744, 57747, 57750, 66126, 66129, 66139
28	* 60606	FOR: 57745, 57746, 57748, 57749, 57751, 57752, 66127, 66128, 66130, 66138, 66140, 66141
29	* 61116	FOR: 57744, 57747, 57750
29	* 67807	FOR: 66126, 66129, 66139
29	* 61117	FOR: 57745, 57748, 57751
29	* 67808	FOR: 66127, 66130, 66140
29	* 61118	FOR: 57746, 57749, 57752
29	* 67809	FOR: 66128, 66138, 66141

CODICE 57744, 57745, 57746, 57747, 57748, 57749, 57750, 57751, 57752, 66126, 66127, 66128, 66129, 66130, 66138, 66139, 66140, 66141

DESCRIZIONE: SISTEMA NEOLISYS PISCINA PUBBLICA NEO-12, NEO-24, NEO-32



ITALIANO

POS	CODICE	DESCRIZIONE	QUANTITA'	POS	CODICE	DESCRIZIONE	QUANTITA'
1	4408070066	UV SCHEDA ELETTRONICA		7	* 4408040060	CARTA POTENZA AC-30/PH	
2	4408070061	REGOLATORE DI CORRENTE LP 10, 14		7	* 4408041305	CARTA POTENZA AC-30 (PH/ORP)	
3	* 4408070069	CONNETTORE BCN		8	* 4408041106	TRANSFORMATORE POTENZA 190 VA	
4	4408070065	INTERRUTTORE		8	* 4408041107	TRANSFORMATORE POTENZA 370 VA	
5	4408041015	PORTAFUSIBILI 6X32 CORPO		8	* 4408041202	TRANSFORMATORE POTENZA 480 VA	
6	* 4408040011	SCHEDA VISORE ELETTROLISI DOM		9	4408040523	PORTAFUSIBILI 5X20 CORPO	
6	* 4408040134	CARTA D'INDICAZIONE NEOLYSIS		10	* 4408041113	FUSIVILE 2A	
6	* 4408040012	SCHEDA VISORE ELETTROLISI DOM PH/OI		10	* 4408041114	FUSIVILE 3A	
7	* 4408041207	CARTA POTENZA AC-12		10	* 4408041204	FUSIVILE 4A	
7	* 4408040058	CARTA POTENZA AC-12/PH		11	71124	FLUSSOSTATO	
7	* 4408041303	CARTA POTENZA AC-12 (PH/ORP)		12	* 4408041210	MANICOTTO PE 1/2" - 3/4"	
7	* 4408041115	CARTA POTENZA AC-22		13	* 70968	PORTA-SONDE	

* SI FACCIÀ RIFERIMENTO AL FOGLIO DELLE OSSERVAZIONI

CODICE **57744, 57745, 57746, 57747, 57748, 57749, 57750, 57751, 57752, 66126, 66127, 66128, 66129, 66130, 66138, 66139, 66140, 66141**

DESCRIZIONE: SISTEMA NEOLISYS PISCINA PUBBLICA NEO-12, NEO-24, NEO-32

7	* 4408040059	CARTA POTENZA AC-22/PH	13	* 74493	PORTA-SONDE
7	* 4408041304	CARTA POTENZA AC-22 (PH/ORP)	14	* 4408040068	VALVOLA INIEZIONE PH-MINUS 3/8"
7	* 4408041208	CARTA POTENZA AC-30	15	* 4408040067	TAPPO M-25 H
15	* 4408060121	TAPPO NERO PICCOLO + GUARNIZIONE	25	* 60632	SOLUZIONE TAMPONE PH 4,0 50 ML. (ROS:
16	* 4408040604	PORTAELETTODO PE 12M/M. X 1/2"	26	* 60633	SOLUZIONE CALIBRAZIONE 470MV.
16	* 4408040444	PORTAELETTODO	27	60607	GUAINA DI QUARZO LP 10, 14
17	4408070077	O-RING	28	* 60559	LAMPADA UV LP-10
18	4408040133	CELLULA NEOLISIS	28	* 60606	LAMPADA UV LP-14
19	4408070059	CONNETTORE 4910	29	* 61116	RECAMBIO ELETTRODO NEOLYSIS 12GR/F
20	4408070078	CONGIUNTO DADI	29	* 67807	RECAMBIO ELETTRODO NEOLYSIS 12GR/F
21	4408040132	GIUNTA CELLULA NEOLYSIS EPDM	29	* 61117	RECAMBIO ELETTRODO NEOLYSIS 24GR/F
22	* 60648	ELETTRODO COMBINATO PH	29	* 67808	RECAMBIO ELETTRODO NEOLYSIS 24GR/F
23	* 60649	ELETTRODO RX	29	* 61118	RECAMBIO ELETTRODO NEOLYSIS 32GR/F
24	* 60618	SOLUZIONE TAMPONE PH 7,0 50 M/L. (VEF	29	* 67809	RECAMBIO ELETTRODO NEOLYSIS 32GR/F

CODICE **57744, 57745, 57746, 57747, 57748, 57749, 57750, 57751, 57752, 66126, 66127, 66128, 66129, 66130, 66138, 66139, 66140, 66141**

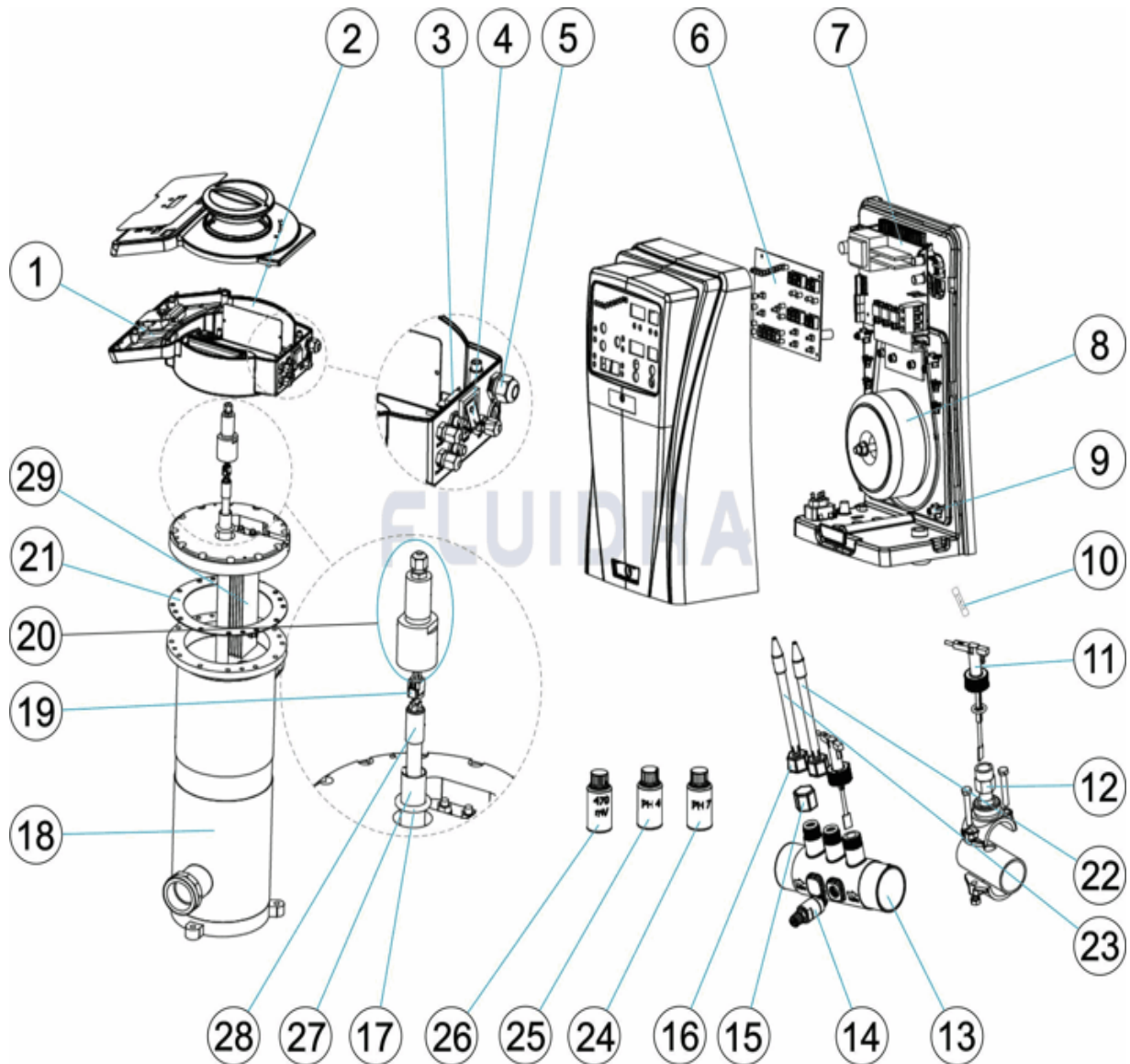
DESCRIZIONE: SISTEMA NEOLISYS PISCINA PUBBLICA NEO-12, NEO-24, NEO-32

OSSERVAZIONI

POS	CODICE	OSSERVAZIONI
3	* 4408070069	PER: 57747, 57748, 57749, 57750, 57751, 57752, 66129, 66130, 66138, 66139, 66140, 66141
6	* 4408040011	PER: 57744, 57745, 57746, 66126, 66127, 66128
6	* 4408040134	PER: 57747, 57748, 57749, 66129, 66130, 66138
6	* 4408040012	PER: 57750, 57751, 57752, 66139, 66140, 66141
7	* 4408041207	PER: 57744, 66126
7	* 4408040058	PER: 57747, 66130
7	* 4408041303	PER: 57750, 66139
7	* 4408041115	PER: 57745, 66127
7	* 4408040059	PER: 57748, 66130
7	* 4408041304	PER: 57751, 66140
7	* 4408041208	PER: 57746, 66128
7	* 4408040060	PER: 57749, 66138
7	* 4408041305	PER: 57752, 66141
8	* 4408041106	PER: 57744, 57747, 57750, 66126, 66129, 66139
8	* 4408041107	PER: 57745, 57748, 57751, 66127, 66130, 66140
8	* 4408041202	PER: 57746, 57749, 57752, 66128, 66138, 66141
10	* 4408041113	PER: 57744, 57747, 57750, 66126, 66129, 66139
10	* 4408041114	PER: 57745, 57748, 57751, 66127, 66130, 66140
10	* 4408041204	PER: 57746, 57749, 57752, 66128, 66138, 66141
12	* 4408041210	PER: 57744, 57745, 57746, 66126, 66127, 66128
13	* 70968	PER: 57747, 57748, 57749, 57750, 57751, 57752, 66129, 66130, 66138, 66139, 66140, 66141
13	* 74493	PER: 57747, 57748, 57749, 57750, 57751, 57752, 66129, 66130, 66138, 66139, 66140, 66141
14	* 4408040068	PER: 57747, 57748, 57749, 57750, 57751, 57752, 66129, 66130, 66138, 66139, 66140, 66141
15	* 4408040067	PER: 57747, 57748, 57749, 66129, 66130, 66138 70968
15	* 4408060121	PER: 57747, 57749, 66129, 66130, 66138 74493
16	* 4408040604	PER: 57747, 57748, 57749, 57750, 57751, 57752, 66129, 66130, 66138, 66139, 66140, 66141 70968
16	* 4408040444	PER: 57747, 57748, 57749, 57750, 57751, 57752, 66129, 66130, 66138, 66139, 66140, 66141 74493
22	* 60648	PER: 57747, 57748, 57749, 57750, 57751, 57752, 66129, 66130, 66138, 66139, 66140, 66141
23	* 60649	PER: 57750, 57751, 57752, 66139, 66140, 66141
24	* 60618	PER: 57745, 57746, 57748, 57749, 57751, 57752, 66127, 66128, 66130, 66138, 66140, 66141
25	* 60632	PER: 57745, 57746, 57748, 57749, 57751, 57752, 66127, 66128, 66130, 66138, 66140, 66141
26	* 60633	PER: 57750, 57751, 57752, 66139, 66140, 66141
28	* 60559	PER: 57744, 57747, 57750, 66126, 66129, 66139
28	* 60606	PER: 57745, 57746, 57748, 57749, 57751, 57752, 66127, 66128, 66130, 66138, 66140, 66141
29	* 61116	PER: 57744, 57747, 57750
29	* 67807	PER: 66126, 66129, 66139
29	* 61117	PER: 57745, 57748, 57751
29	* 67808	PER: 66127, 66130, 66140
29	* 61118	PER: 57746, 57749, 57752
29	* 67809	PER: 66128, 66138, 66141

CODE **57744, 57745, 57746, 57747, 57748, 57749, 57750, 57751, 57752, 66126, 66127, 66128, 66129, 66130, 66138, 66139, 66140, 66141**

BESCHREIBUNG: **NEOLYSESYSTEM PRIVATBECKEN NEO-12, NEO-24, NEO-32**



DEUTSCH

POS	CODE	BESCHREIBUNG	MENGE	POS	CODE	BESCHREIBUNG	MENGE
1	4408070066	UV ELEKTRISCHE PLATINE		7	* 4408040060	LEISTUNGSPLATINE AC - 30/PH	
2	4408070061	VORSCHALTGERÄT LP 10, 14		7	* 4408041305	LEISTUNGSPLATINE AC-30 (PH/ORP)	
3	* 4408070069	STECKKUPPLUNG BCN		8	* 4408041106	TRAFO 190 VA	
4	4408070065	SCHALTER		8	* 4408041107	TRAFO 370 VA	
5	4408041015	SICHERUNGSSITZ 6 X 32 RAHMEN		8	* 4408041202	TRAFO 480 VA	
6	* 4408040011	VISUALISIERPLATINE ELEKTROLYSE DOM		9	4408040523	SICHERUNGSSITZ 5 X 20 RAHMEN	
6	* 4408040134	VISUALISIERPLATINE NEOLYSE		10	* 4408041113	SICHERUNG 2 A	
6	* 4408040012	BILDSCHIRM ELEKTROLYSE DOM PH/ORP		10	* 4408041114	SICHERUNG 3 A	
7	* 4408041207	LEISTUNGSPLATINE AC - 12		10	* 4408041204	SICHERUNG 4 A	
7	* 4408040058	LEISTUNGSPLATINE AC - 12/PH		11	71124	DURCHFLUSSMESSER	
7	* 4408041303	LEISTUNGSPLATINE AC-12 (PH/ORP)		12	* 4408041210	REDUZIERSTÜCK GEWINDE 3/4" 1/2"	
7	* 4408041115	LEISTUNGSPLATINE AC - 22		13	* 70968	SONDENHALTERUNG	

*** SIEHE ANMERKUNGSBLATT**

CODE **57744, 57745, 57746, 57747, 57748, 57749, 57750, 57751, 57752, 66126, 66127, 66128, 66129, 66130, 66138, 66139, 66140, 66141**

BESCHREIBUNG: **NEOLYSESYSTEM PRIVATBECKEN NEO-12, NEO-24, NEO-32**

7	* 4408040059	LEISTUNGSPLATINE AC - 22/PH	13	* 74493	SONDENHALTERUNG
7	* 4408041304	LEISTUNGSPLATINE AC-22 (PH/ORP)	14	* 4408040068	INJEKTORVENTIL PH-MINUS 3/8"
7	* 4408041208	LEISTUNGSPLATINE AC - 30	15	* 4408040067	STOPFEN PH/OPR-SONDE SONDENHALTEI
15	* 4408060121	STOPFEN SCHWARZ VERSCHLUSS UND C	25	* 60632	PUFFER PH 4,0 50 ML (ROT)
16	* 4408040604	ELEKTRODENSITZ PE 12 MM-1/2"	26	* 60633	KALIBRIERLÖSUNG 47 0MV
16	* 4408040444	ELEKTRODENSITZ	27	60607	QUARZRÖHRE UV LP - 10,14
17	4408070077	O-RING	28	* 60559	LAMPE UV LP - 10
18	4408040133	ZELLE NEOLYSE PRIVATBECKEN	28	* 60606	LAMPE UV LP - 14
19	4408070059	STECKKUPPLUNG 4PIN	29	* 61116	ERSATZTEIL ELEKTRODE NEOLYSE 12GR/I
20	4408070078	SET MUTTERN	29	* 67807	ERSATZTEIL ELEKTRODE NEOLYSE 12GR/I
21	4408040132	DICHTUNG FLANSCH ZELLE NEOLYSE EPI	29	* 61117	ERSATZTEIL ELEKTRODE NEOLYSE 24GR/I
22	* 60648	ELEKTRODE KOMBINIERT PH	29	* 67808	ERSATZTEIL ELEKTRODE NEOLYSE 24GR/I
23	* 60649	ORP-ELEKTRODE	29	* 61118	ERSATZTEIL ELEKTRODE NEOLYSE 32GR/I
24	* 60618	PUFFER PH 7,0 50 M/L (GRÜN)	29	* 67809	ERSATZTEIL ELEKTRODE NEOLYSE 32GR/I

CODE **57744, 57745, 57746, 57747, 57748, 57749, 57750, 57751, 57752, 66126, 66127, 66128, 66129, 66130, 66138, 66139, 66140, 66141**

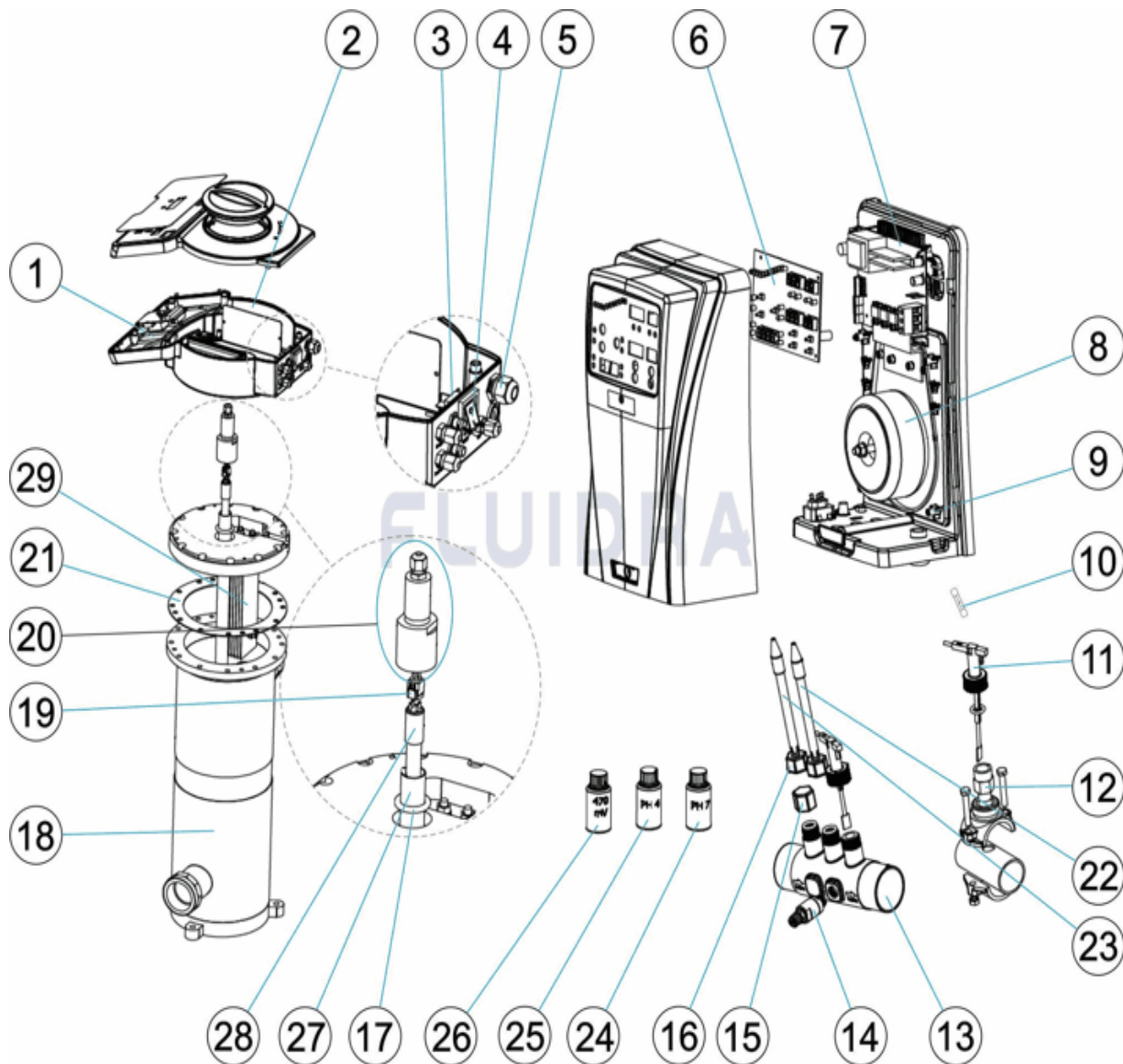
BESCHREIBUNG: **NEOLYSESYSTEM PRIVATBECKEN NEO-12, NEO-24, NEO-32**

HINWEISE

POS	CODE	HINWEISE
3	* 4408070069	FÜR: 57747, 57748, 57749, 57750, 57751, 57752, 66129, 66130, 66138, 66139, 66140, 66141
6	* 4408040011	FÜR: 57744, 57745, 57746, 66126, 66127, 66128
6	* 4408040134	FÜR: 57747, 57748, 57749, 66129, 66130, 66138
6	* 4408040012	FÜR: 57750, 57751, 57752, 66139, 66140, 66141
7	* 4408041207	FÜR: 57744, 66126
7	* 4408040058	FÜR: 57747, 66130
7	* 4408041303	FÜR: 57750, 66139
7	* 4408041115	FÜR: 57745, 66127
7	* 4408040059	FÜR: 57748, 66130
7	* 4408041304	FÜR: 57751, 66140
7	* 4408041208	FÜR: 57746, 66128
7	* 4408040060	FÜR: 57749, 66138
7	* 4408041305	FÜR: 57752, 66141
8	* 4408041106	FÜR: 57744, 57747, 57750, 66126, 66129, 66139
8	* 4408041107	FÜR: 57745, 57748, 57751, 66127, 66130, 66140
8	* 4408041202	FÜR: 57746, 57749, 57752, 66128, 66138, 66141
10	* 4408041113	FÜR: 57744, 57747, 57750, 66126, 66129, 66139
10	* 4408041114	FÜR: 57745, 57748, 57751, 66127, 66130, 66140
10	* 4408041204	FÜR: 57746, 57749, 57752, 66128, 66138, 66141
12	* 4408041210	FÜR: 57744, 57745, 57746, 66126, 66127, 66128
13	* 70968	FÜR: 57747, 57748, 57749, 57750, 57751, 57752, 66129, 66130, 66138, 66139, 66140, 66141
13	* 74493	FÜR: 57747, 57748, 57749, 57750, 57751, 57752, 66129, 66130, 66138, 66139, 66140, 66141
14	* 4408040068	FÜR: 57747, 57748, 57749, 57750, 57751, 57752, 66129, 66130, 66138, 66139, 66140, 66141
15	* 4408040067	FÜR: 57747, 57748, 57749, 66129, 66130, 66138 70968
15	* 4408060121	FÜR: 57747, 57749, 66129, 66130, 66138 74493
16	* 4408040604	FÜR: 57747, 57748, 57749, 57750, 57751, 57752, 66129, 66130, 66138, 66139, 66140, 66141 70968
16	* 4408040444	FÜR: 57747, 57748, 57749, 57750, 57751, 57752, 66129, 66130, 66138, 66139, 66140, 66141 74493
22	* 60648	FÜR: 57747, 57748, 57749, 57750, 57751, 57752, 66129, 66130, 66138, 66139, 66140, 66141
23	* 60649	FÜR: 57750, 57751, 57752, 66139, 66140, 66141
24	* 60618	FÜR: 57745, 57746, 57748, 57749, 57751, 57752, 66127, 66128, 66130, 66138, 66140, 66141
25	* 60632	FÜR: 57745, 57746, 57748, 57749, 57751, 57752, 66127, 66128, 66130, 66138, 66140, 66141
26	* 60633	FÜR: 57750, 57751, 57752, 66139, 66140, 66141
28	* 60559	FÜR: 57744, 57747, 57750, 66126, 66129, 66139
28	* 60606	FÜR: 57745, 57746, 57748, 57749, 57751, 57752, 66127, 66128, 66130, 66138, 66140, 66141
29	* 61116	FÜR: 57744, 57747, 57750
29	* 67807	FÜR: 66126, 66129, 66139
29	* 61117	FÜR: 57745, 57748, 57751
29	* 67808	FÜR: 66127, 66130, 66140
29	* 61118	FÜR: 57746, 57749, 57752
29	* 67809	FÜR: 66128, 66138, 66141

CODIGO 57744, 57745, 57746, 57747, 57748, 57749, 57750, 57751, 57752, 66126, 66127, 66128, 66129, 66130, 66138, 66139, 66140, 66141

DESCRIÇÃO: SISTEMA NEOLYSIS PISCINA PÚBLICA NEO-12



PORTUGUES

POS	CODIGO	DESCRIÇÃO	JANTIDADE	POS	CODIGO	DESCRIÇÃO	JANTIDADE
1	4408070066	UV CARTÃO ELECTRÓNICO		7	* 4408040060	TARJETA POTÊNCIA AC-30/PH	
2	4408070061	BALASTRO LP 10, 14		7	* 4408041305	TARJETA POTÊNCIA AC-30 (PH/ORP)	
3	* 4408070069	LIGAÇÃO BCN		8	* 4408041106	TRANSFORMADOR POTÊNCIA 190VA	
4	4408070065	INTERRUPTOR		8	* 4408041107	TRANSFORMADOR POTÊNCIA 370VA	
5	4408041015	PORTAFUSIVEIS 6X32 CHASIS		8	* 4408041202	TRANSFORMADOR POTÊNCIA 480VA	
6	* 4408040011	PLACA VISUALIZAÇÃO ELECTRÓLISE DOM		9	4408040523	PORTAFUSIVEIS 5X20 CHASIS	
6	* 4408040134	TARJETA INDICAÇÃO NEOLYSIS		10	* 4408041113	FUSIVEL 2A	
6	* 4408040012	PLACA VISUALIZAÇÃO ELECTRÓLISE DOM		10	* 4408041114	FUSIVEL 3A	
7	* 4408041207	TARJETA POTÊNCIA AC-12		10	* 4408041204	FUSIVEL 4A	
7	* 4408040058	TARJETA POTÊNCIA AC-12/PH		11	71124	FLUXO-ESTATO	
7	* 4408041303	TARJETA POTÊNCIA AC-12 (PH/ORP)		12	* 4408041210	UNIÃO PE 1/2" - 3/4"	
7	* 4408041115	TARJETA POTÊNCIA AC-22		13	* 70968	PORTA-SONDAS	

*** VEJA A FICHA DE OBSERVAÇÕES**

CODIGO **57744, 57745, 57746, 57747, 57748, 57749, 57750, 57751, 57752, 66126, 66127, 66128, 66129, 66130, 66138, 66139, 66140, 66141**

DESCRIÇÃO: SISTEMA NEOLYSIS PISCINA PÚBLICA NEO-12

7	* 4408040059	TARJETA POTÊNCIA AC-22/PH	13	* 74493	PORTA-SONDAS
7	* 4408041304	TARJETA POTÊNCIA AC-22 (PH/ORP)	14	* 4408040068	VALVOLA INJEÇÃO PH-MINUS 3/8"
7	* 4408041208	TARJETA POTÊNCIA AC-30	15	* 4408040067	TAMPÃO M-25 H
15	* 4408060121	TAMPÃO PRETO OBTURADOR + JUNTA	25	* 60632	SOLUÇÃO TAMPÃO PH 4,0 50 ML. (VERMEL
16	* 4408040604	PORTAELECTRODOS PE 12M/M-1/2"	26	* 60633	SOLUÇÃO TAMPÃO 470 MV
16	* 4408040444	PORTAELECTRODOS	27	60607	TUBO DE QUARZO LP 10, 14
17	4408070077	JUNTA TÓRICA	28	* 60559	LÂMPADA UV LP-10
18	4408040133	CÉLULA NEOLYSIS	28	* 60606	LÂMPADA UV LP-14
19	4408070059	LIGAÇÃO 4PIN	29	* 61116	SOBRESSALENTE ELÉCTRODO NEOLYSIS
20	4408070078	CJTO. PORCAS	29	* 67807	SOBRESSALENTE ELÉCTRODO NEOLYSIS
21	4408040132	JUNTA CELULA NEOLYSIS EPDM	29	* 61117	SOBRESSALENTE ELÉCTRODO NEOLYSIS
22	* 60648	ELECTRODO COMBINADO PH	29	* 67808	SOBRESSALENTE ELÉCTRODO NEOLYSIS
23	* 60649	ELECTRODO ORP	29	* 61118	SOBRESSALENTE ELÉCTRODO NEOLYSIS
24	* 60618	SOLUÇÃO TAMPÃO PH 7,0 50 M/L. (VERDE	29	* 67809	SOBRESSALENTE ELÉCTRODO NEOLYSIS

CODIGO **57744, 57745, 57746, 57747, 57748, 57749, 57750, 57751, 57752, 66126, 66127, 66128, 66129, 66130, 66138, 66139, 66140, 66141**

DESCRIÇÃO: SISTEMA NEOLYSIS PISCINA PÚBLICA NEO-12

OBSERVAÇÕES

POS	CODIGO	OBSERVAÇÕES
3	* 4408070069	PARA: 57747, 57748, 57749, 57750, 57751, 57752, 66129, 66130, 66138, 66139, 66140, 66141
6	* 4408040011	PARA: 57744, 57745, 57746, 66126, 66127, 66128
6	* 4408040134	PARA: 57747, 57748, 57749, 66129, 66130, 66138
6	* 4408040012	PARA: 57750, 57751, 57752, 66139, 66140, 66141
7	* 4408041207	PARA: 57744, 66126
7	* 4408040058	PARA: 57747, 66130
7	* 4408041303	PARA: 57750, 66139
7	* 4408041115	PARA: 57745, 66127
7	* 4408040059	PARA: 57748, 66130
7	* 4408041304	PARA: 57751, 66140
7	* 4408041208	PARA: 57746, 66128
7	* 4408040060	PARA: 57749, 66138
7	* 4408041305	PARA: 57752, 66141
8	* 4408041106	PARA: 57744, 57747, 57750, 66126, 66129, 66139
8	* 4408041107	PARA: 57745, 57748, 57751, 66127, 66130, 66140
8	* 4408041202	PARA: 57746, 57749, 57752, 66128, 66138, 66141
10	* 4408041113	PARA: 57744, 57747, 57750, 66126, 66129, 66139
10	* 4408041114	PARA: 57745, 57748, 57751, 66127, 66130, 66140
10	* 4408041204	PARA: 57746, 57749, 57752, 66128, 66138, 66141
12	* 4408041210	PARA: 57744, 57745, 57746, 66126, 66127, 66128
13	* 70968	PARA: 57747, 57748, 57749, 57750, 57751, 57752, 66129, 66130, 66138, 66139, 66140, 66141
13	* 74493	PARA: 57747, 57748, 57749, 57750, 57751, 57752, 66129, 66130, 66138, 66139, 66140, 66141
14	* 4408040068	PARA: 57747, 57748, 57749, 57750, 57751, 57752, 66129, 66130, 66138, 66139, 66140, 66141
15	* 4408040067	PARA: 57747, 57748, 57749, 66129, 66130, 66138 70968
15	* 4408060121	PARA: 57747, 57749, 66129, 66130, 66138 74493
16	* 4408040604	PARA: 57747, 57748, 57749, 57750, 57751, 57752, 66129, 66130, 66138, 66139, 66140, 66141 70968
16	* 4408040444	PARA: 57747, 57748, 57749, 57750, 57751, 57752, 66129, 66130, 66138, 66139, 66140, 66141 74493
22	* 60648	PARA: 57747, 57748, 57749, 57750, 57751, 57752, 66129, 66130, 66138, 66139, 66140, 66141
23	* 60649	PARA: 57750, 57751, 57752, 66139, 66140, 66141
24	* 60618	PARA: 57745, 57746, 57748, 57749, 57751, 57752, 66127, 66128, 66130, 66138, 66140, 66141
25	* 60632	PARA: 57745, 57746, 57748, 57749, 57751, 57752, 66127, 66128, 66130, 66138, 66140, 66141
26	* 60633	PARA: 57750, 57751, 57752, 66139, 66140, 66141
28	* 60559	PARA: 57744, 57747, 57750, 66126, 66129, 66139
28	* 60606	PARA: 57745, 57746, 57748, 57749, 57751, 57752, 66127, 66128, 66130, 66138, 66140, 66141
29	* 61116	PARA: 57744, 57747, 57750
29	* 67807	PARA: 66126, 66129, 66139
29	* 61117	PARA: 57745, 57748, 57751
29	* 67808	PARA: 66127, 66130, 66140
29	* 61118	PARA: 57746, 57749, 57752
29	* 67809	PARA: 66128, 66138, 66141