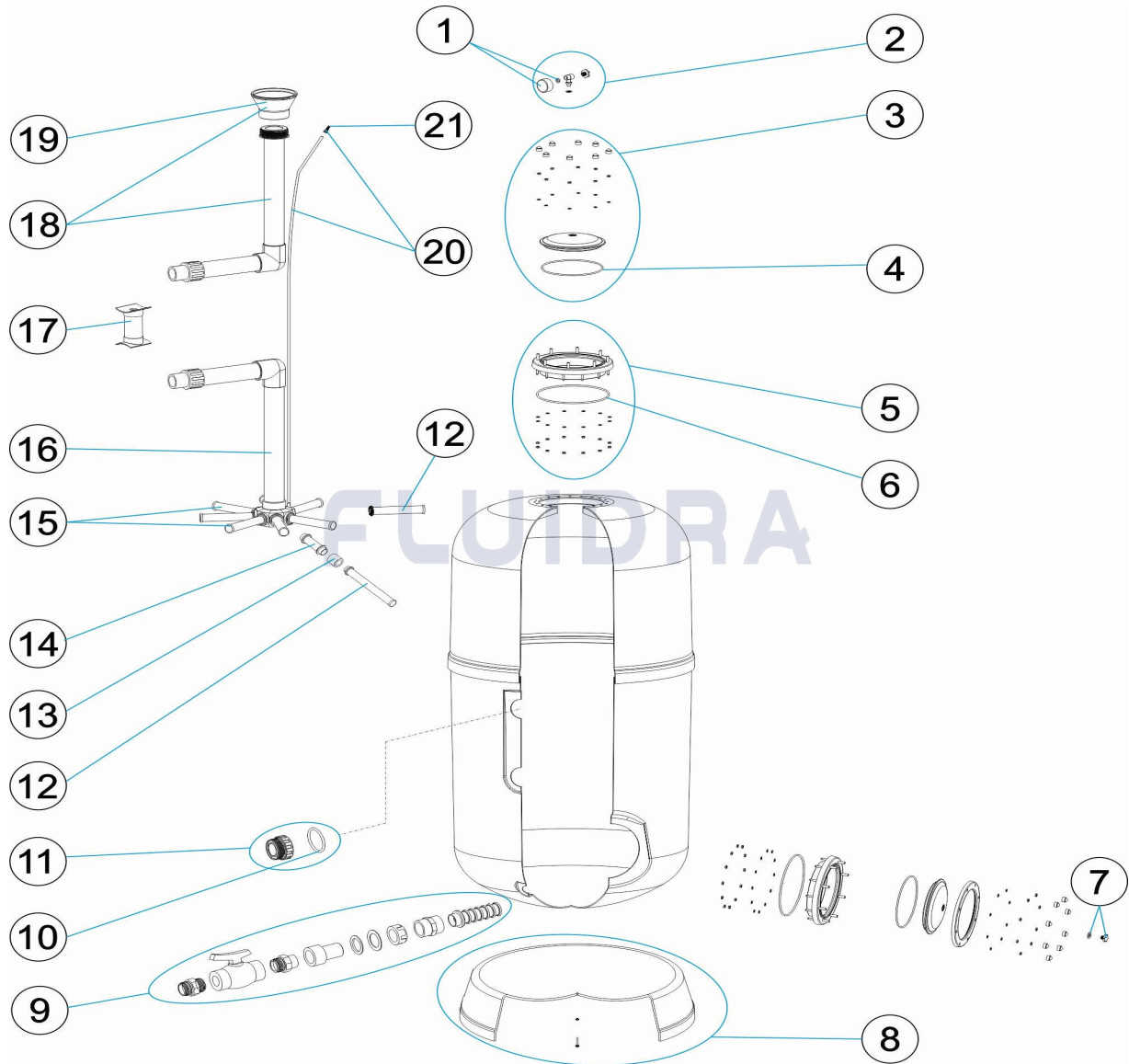


CODIGO FINI100650, FINI100800, FINI100950, FINI100500

DESCRIPCION: FILTRO NILO D.500-650-800-950


**ESPAÑOL**

POS	CODIGO	DESCRIPCION	CANTIDAD	POS	CODIGO	DESCRIPCION	CANTIDAD
1	SP-04-0072	MANOMETRO 1/8" 3 KG/C "		11	* SP-04-0143	RACORD SALIDA 2" + JUNTA TORIC "	
2	SP-04-0071	MANOMETRO COMPLETO		11	* SP-04-0144	RACOR SALIDA 2 1/2" + JUNTA TORIC "	
3	SP-04-0131	TAPA FILTRO COMPLETA		12	* SP-04-0147	BRAZO COLECTOR 1" 225 M "	
4	SP-04-0132	JUNTA TORICA 209X6		12	* SP-04-0149	BRAZO COLECTOR 1" 175 M "	
5	SP-04-0133	ARO CUELLO 20 TORNILLOS		13	* SP-04-0146	MANGUITO ENLACE UNION 1"	
6	SP-04-0134	JUNTA TORICA 255X4		14	* SP-04-0145	BRAZO COLECTOR 1" 100 M "	
7	SP-04-0286	TAPON PURGA Y JUNTA		15	* SP-04-0152	CJTO. BRAZOS COLECTOR	
8	* SP-04-0137	PIE FILTRO		15	* SP-04-0153	CJTO. BRAZOS COLECTOR D. 650	
8	* SP-04-0287	PIE FILTRO D. 650		15	* SP-04-0201	CJTO. BRAZOS COLECTOR D. 650	
8	* SP-04-0288	PIE FILTRO D. 800		15	* SP-04-0155	CJTO. BRAZOS COLECTOR D. 950 - 1050	
8	* SP-04-0289	PIE FILTRO D. 950		16	* SP-04-0516	CJTO. COLECTOR D. 500	
9	SP-04-0290	CJTO. PURGA AGUA		16	* SP-04-0292	CJTO. COLECTOR D. 650	
10	* SP-04-0253	JUNTA TORICA D. 60X8		16	* SP-04-0293	CJTO. COLECTOR D. 800	



# DESPIECE

REV: 0

9152

FECHA: 01/06/2022

HOJA: 2/3

CODIGO **FINI100650, FINI100800, FINI100950, FINI100500**DESCRIPCION: **FILTRO NILO D.500-650-800-950**

10	* SP-04-0291	JUNTA TORICA D. 70X5	16	* SP-04-0294	CJTO. COLECTOR D. 950
11	* SP-04-0142	RACORD 1 ½" + JUNTA TORIC "	17	* SP-04-0295	SOPORTE DIFUSOR D.950-2 ½"
18	* SP-04-0517	CJTO. DIFUSOR D. 500	19	* SP-04-0181	CONO DIFUSOR D. 63
18	* SP-04-0296	CJTO. DIFUSOR D.650	19	* SP-04-0182	CONO DIFUSOR D.75
18	* SP-04-0297	CJTO. DIFUSOR D.800	20	SP-04-0299	TUBO RIGIDO L-1900
18	* SP-04-0298	CJTO. DIFUSOR D.950 2 ½"	21	SP-04-0129	PURGA AIRE



# DESPIECE

REV: 0

9152

FECHA: 01/06/2022

HOJA: 3/3

CODIGO FINI100650, FINI100800, FINI100950, FINI100500

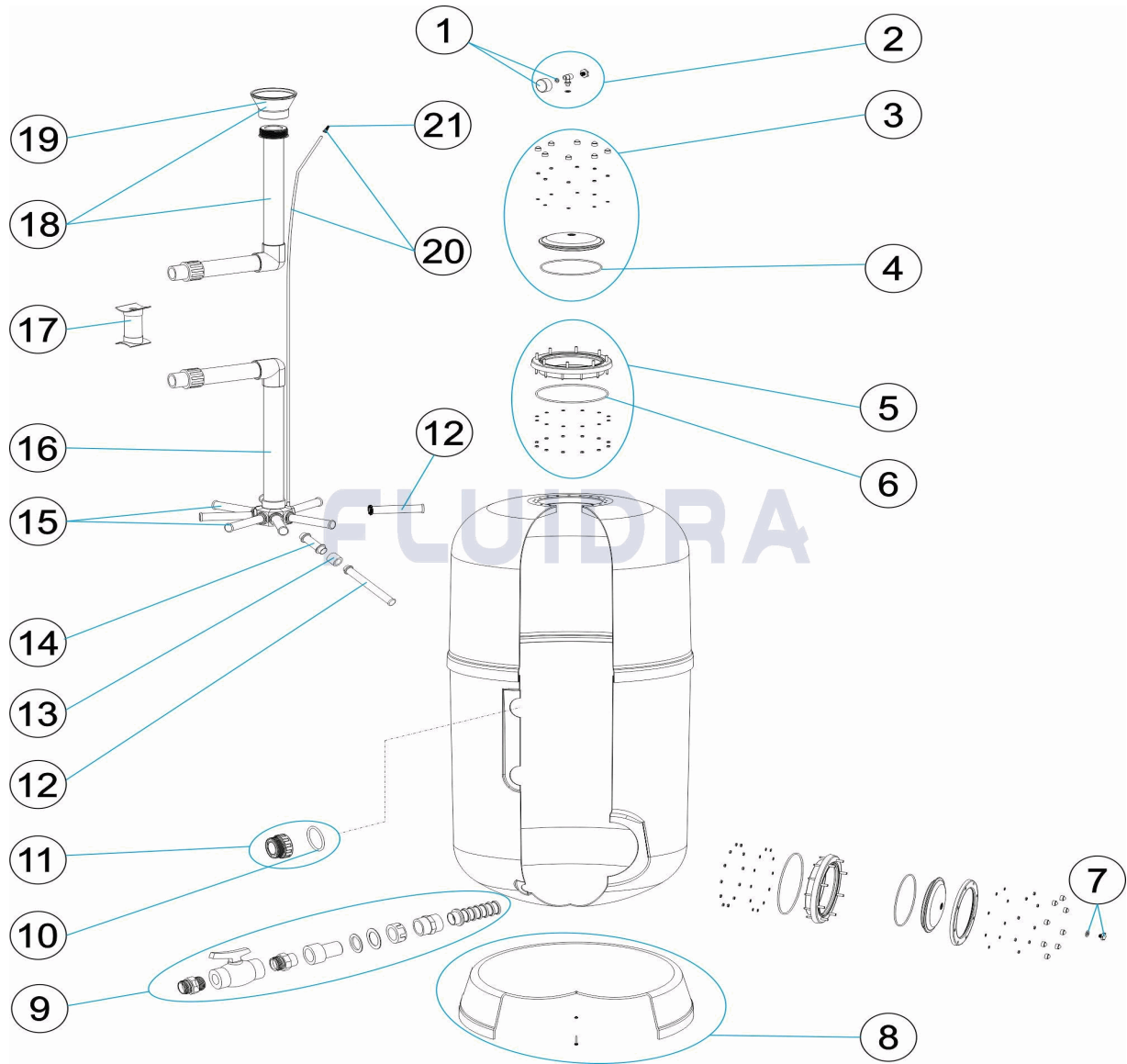
DESCRIPCION: FILTRO NILO D.500-650-800-950

## OBSERVACIONES

POS	CODIGO	OBSERVACIONES
8	* SP-04-0137	PARA: FINI100500
8	* SP-04-0287	PARA: FINI100650
8	* SP-04-0288	PARA: FINI100800
8	* SP-04-0289	PARA: FINI100950
10	* SP-04-0253	PARA: FINI100650, FINI100800, FINI100500
10	* SP-04-0291	PARA: FINI100950
11	* SP-04-0142	PARA: FINI100650, FINI100500
11	* SP-04-0143	PARA: FINI100800
11	* SP-04-0144	PARA: FINI100950
12	* SP-04-0147	PARA: FINI100650 [4UNIDADES], FINI100800 [6UNIDADES], FINI100950 [6UNIDADES]
12	* SP-04-0149	PARA: FINI100500 [4UNIDADES]
13	* SP-04-0146	PARA: FINI100950
14	* SP-04-0145	PARA: FINI100950
15	* SP-04-0152	PARA: FINI100500
15	* SP-04-0153	PARA: FINI100650
15	* SP-04-0201	PARA: FINI100800
15	* SP-04-0155	PARA: FINI100950
16	* SP-04-0516	PARA: FINI100500
16	* SP-04-0292	PARA: FINI100650
16	* SP-04-0293	PARA: FINI100800
16	* SP-04-0294	PARA: FINI100950
17	* SP-04-0295	PARA: FINI100950
18	* SP-04-0517	PARA: FINI100500
18	* SP-04-0296	PARA: FINI100650
18	* SP-04-0297	PARA: FINI100800
18	* SP-04-0298	PARA: FINI100950
19	* SP-04-0181	PARA: FINI100650, FINI100500
19	* SP-04-0182	PARA: FINI100800, FINI100950

CODE FINI100650, FINI100800, FINI100950, FINI100500

DESCRIPTION: FILTRE NILO D.500-650-800-950



### FRANCAIS

POS	CODE	DESCRIPTION	QUANTITE	POS	CODE	DESCRIPTION	QUANTITE
1	SP-04-0072	MANOMETRE 1/8" 3 KG./C "		11	* SP-04-0143	RACCOR SORTIE 2" + JOINT TORIQU "	
2	SP-04-0071	MANOMETRE COMPLET		11	* SP-04-0144	RACCOR SORTIE 2 1/2" + JOINT TORIQU "	
3	SP-04-0131	COUVERCLE DE FILTRE COMPLETE		12	* SP-04-0147	BRAS DE REPARTITEUR 1" 225 M "	
4	SP-04-0132	JOINT TORIQUE 209X6		12	* SP-04-0149	BRAS DE REPARTITEUR 1" 175 M "	
5	SP-04-0133	BRIDE GORGE 20 VIS		13	* SP-04-0146	MANCHON UNION 1"	
6	SP-04-0134	JOINT TORIQUE 255X4		14	* SP-04-0145	BRAS DE REPARTITEUR 1" 100M "	
7	SP-04-0286	BOUCHON PURGE ET JOINT		15	* SP-04-0152	ENSEMBLE BRAS DE REPARTITEUR	
8	* SP-04-0137	SOCLE FILTRE		15	* SP-04-0153	ENSEMBLE BRAS DE REPARTITEUR D. 650	
8	* SP-04-0287	SOCLE FILTRE D. 650		15	* SP-04-0201	ENSEMBLE BRAS DE REPARTITEUR D. 650	
8	* SP-04-0288	SOCLE FILTRE D. 800		15	* SP-04-0155	ENSEMBLE BRAS DE REPARTITEUR D. 950	
8	* SP-04-0289	SOCLE FILTRE D. 950		16	* SP-04-0516	ENSEMBLE COLLECTEUR D. 500	
9	SP-04-0290	ENSEMBLE PURGE		16	* SP-04-0292	ENSEMBLE COLLECTEUR D. 650	
10	* SP-04-0253	JOINT TORIQUE D 60X8		16	* SP-04-0293	ENSEMBLE COLLECTEUR D. 800	

CODE **FINI100650, FINI100800, FINI100950, FINI100500**

DESCRIPTION: **FILTRE NILO D.500-650-800-950**

10	* SP-04-0291	JOINT TORIQUE D 70X5	16	* SP-04-0294	ENSEMBLE COLLECTEUR D. 950
11	* SP-04-0142	RACCORD 1 1/2" + JOINT TORIQU "	17	* SP-04-0295	SUPPORT COLLECTEUR D.950-2 1/2"
18	* SP-04-0517	ENSEMBLE DIFFUSEUR D. 500	19	* SP-04-0181	DIFUSOR CONIQUE SUPÉRIOR D. 63
18	* SP-04-0296	ENSEMBLE DIFFUSEUR D. 650	19	* SP-04-0182	DIFUSOR CONIQUE SUPÉRIOR D. 75
18	* SP-04-0297	ENSEMBLE DIFFUSEUR D. 800	20	SP-04-0299	TUBE RIGIDE L-1900
18	* SP-04-0298	ENSEMBLE DIFFUSEUR D. 2 1/2"	21	SP-04-0129	PURGE D'AIR

CODE **FINI100650, FINI100800, FINI100950, FINI100500**

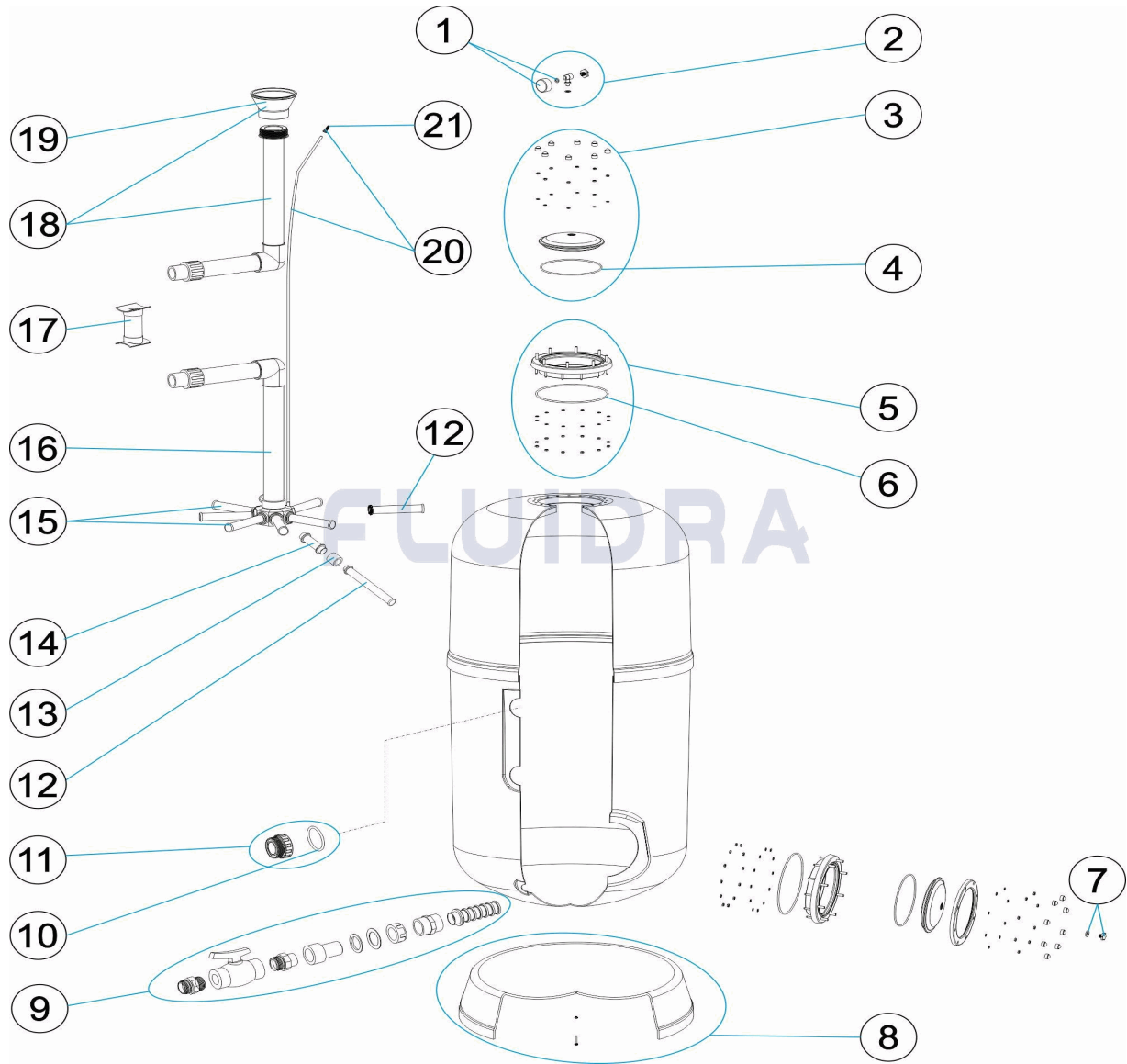
DESCRIPTION: **FILTRE NILO D.500-650-800-950**

## OBSERVATIONS

POS	CODE	OBSERVATIONS
8	* SP-04-0137	POUR: FINI100500
8	* SP-04-0287	POUR: FINI100650
8	* SP-04-0288	POUR: FINI100800
8	* SP-04-0289	POUR: FINI100950
10	* SP-04-0253	POUR: FINI100650, FINI100800, FINI100500
10	* SP-04-0291	POUR: FINI100950
11	* SP-04-0142	POUR: FINI100650, FINI100500
11	* SP-04-0143	POUR: FINI100800
11	* SP-04-0144	POUR: FINI100950
12	* SP-04-0147	POUR: FINI100650 [4UT], FINI100800 [6UT], FINI100950 [6UT]
12	* SP-04-0149	POUR: FINI100500 [4UT]
13	* SP-04-0146	POUR: FINI100950
14	* SP-04-0145	POUR: FINI100950
15	* SP-04-0152	POUR: FINI100500
15	* SP-04-0153	POUR: FINI100650
15	* SP-04-0201	POUR: FINI100800
15	* SP-04-0155	POUR: FINI100950
16	* SP-04-0516	POUR: FINI100500
16	* SP-04-0292	POUR: FINI100650
16	* SP-04-0293	POUR: FINI100800
16	* SP-04-0294	POUR: FINI100950
17	* SP-04-0295	POUR: FINI100950
18	* SP-04-0517	POUR: FINI100500
18	* SP-04-0296	POUR: FINI100650
18	* SP-04-0297	POUR: FINI100800
18	* SP-04-0298	POUR: FINI100950
19	* SP-04-0181	POUR: FINI100650, FINI100500
19	* SP-04-0182	POUR: FINI100800, FINI100950

CODE FINI100650, FINI100800, FINI100950, FINI100500

DESCRIPTION: NILO FILTER D.500-650-800-950


**ENGLISH**

POS	CODE	DESCRIPTION	QUANTITY	POS	CODE	DESCRIPTION	QUANTITY
1	SP-04-0072	PRESSURE GAUGE 1/8" 3 KG./C "		11	* SP-04-0143	2" OUTLET FITTING + O'RIN "	
2	SP-04-0071	COMPLETE PRESSURE GAUGE UNIT		11	* SP-04-0144	OUTLET UNION 2 1/2" + O-RIN "	
3	SP-04-0131	FILTER LID UNIT		12	* SP-04-0147	MANIFOLD ARM 1" 225 M "	
4	SP-04-0132	209 X 6 O'RING		12	* SP-04-0149	MANIFOLD ARM 1" 175 M "	
5	SP-04-0133	20-SCREW NECK RING		13	* SP-04-0146	UNION 1"	
6	SP-04-0134	O' RING 255X4		14	* SP-04-0145	MANIFOLD ARM 1" 100 M "	
7	SP-04-0286	DRAIN PLUG AND GASKET		15	* SP-04-0152	MANIFOLD ARM ASSEMBLY	
8	* SP-04-0137	FILTER BASE		15	* SP-04-0153	MANIFOLD ARM ASSEMBLY D. 650	
8	* SP-04-0287	FILTER BASE D. 650		15	* SP-04-0201	MANIFOLD ARM ASSEMBLY D. 650	
8	* SP-04-0288	FILTER BASE D. 800		15	* SP-04-0155	MANIFOLD ARM ASSEMBLY D. 950-1050	
8	* SP-04-0289	FILTER BASE D. 950		16	* SP-04-0516	MANIFOLD ASSEMBLY D. 500	
9	SP-04-0290	DRAIN WATER SET		16	* SP-04-0292	MANIFOLD ASSEMBLY D. 650	
10	* SP-04-0253	O' RING D. 60X8		16	* SP-04-0293	MANIFOLD ASSEMBLY D. 800	



# PARTS BREAKDOWN

REV.: 0  
DATE: 01/06/2022  
SHEET: 2/3

9152

CODE FINI100650, FINI100800, FINI100950, FINI100500

DESCRIPTION: NILO FILTER D.500-650-800-950

10	* SP-04-0291	O' RING D. 70X5	16	* SP-04-0294	MANIFOLD ASSEMBLY D. 950
11	* SP-04-0142	FITTING 1 1/2" + O'RIN "	17	* SP-04-0295	COLLECTOR SUPPORT D.950-2 1/2"
18	* SP-04-0517	DIFFUSER ASSEMBLY D. 500	19	* SP-04-0181	DIFFUSER CONE D. 63
18	* SP-04-0296	DIFFUSER ASSEMBLY D. 650	19	* SP-04-0182	DIFFUSER CONE D. 75
18	* SP-04-0297	DIFFUSER ASSEMBLY D. 800	20	SP-04-0299	RIGID PIPE L-1900
18	* SP-04-0298	DIFFUSER ASSEMBLY D. 950 2 1/2"	21	SP-04-0129	AIR PURGE





# PARTS BREAKDOWN

REV.: 0

9152

DATE: 01/06/2022

SHEET: 3/3

CODE FINI100650, FINI100800, FINI100950, FINI100500

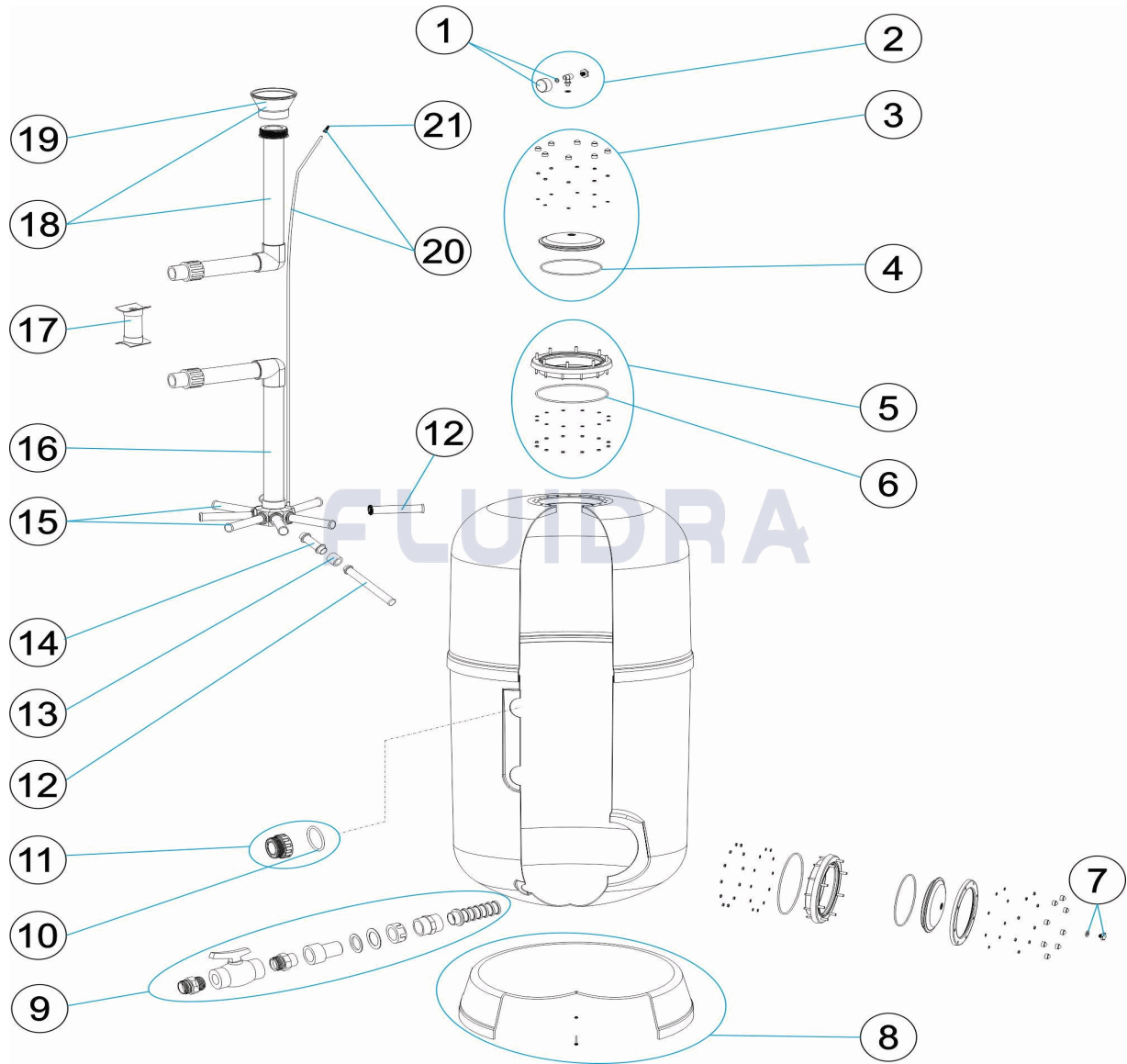
DESCRIPTION: NILO FILTER D.500-650-800-950

## OBSERVATIONS

POS	CODE	OBSERVATIONS
8	* SP-04-0137	FOR: FINI100500
8	* SP-04-0287	FOR: FINI100650
8	* SP-04-0288	FOR: FINI100800
8	* SP-04-0289	FOR: FINI100950
10	* SP-04-0253	FOR: FINI100650, FINI100800, FINI100500
10	* SP-04-0291	FOR: FINI100950
11	* SP-04-0142	FOR: FINI100650, FINI100500
11	* SP-04-0143	FOR: FINI100800
11	* SP-04-0144	FOR: FINI100950
12	* SP-04-0147	FOR: FINI100650 [4UT], FINI100800 [6UT], FINI100950 [6UT]
12	* SP-04-0149	FOR: FINI100500 [4UT]
13	* SP-04-0146	FOR: FINI100950
14	* SP-04-0145	FOR: FINI100950
15	* SP-04-0152	FOR: FINI100500
15	* SP-04-0153	FOR: FINI100650
15	* SP-04-0201	FOR: FINI100800
15	* SP-04-0155	FOR: FINI100950
16	* SP-04-0516	FOR: FINI100500
16	* SP-04-0292	FOR: FINI100650
16	* SP-04-0293	FOR: FINI100800
16	* SP-04-0294	FOR: FINI100950
17	* SP-04-0295	FOR: FINI100950
18	* SP-04-0517	FOR: FINI100500
18	* SP-04-0296	FOR: FINI100650
18	* SP-04-0297	FOR: FINI100800
18	* SP-04-0298	FOR: FINI100950
19	* SP-04-0181	FOR: FINI100650, FINI100500
19	* SP-04-0182	FOR: FINI100800, FINI100950

CODICE FINI100650, FINI100800, FINI100950, FINI100500

DESCRIZIONE: FILTRI NILO D.500-650-800-950


**ITALIANO**

POS	CODICE	DESCRIZIONE	QUANTITA'	POS	CODICE	DESCRIZIONE	QUANTITA'
1	SP-04-0072	MANOMETRO 1/8" 3 KG./C "		11	* SP-04-0143	RACCORDO USCITA 2" + O-RING	
2	SP-04-0071	MANOMETRO COMPLETO		11	* SP-04-0144	RACCORDO USCITA 2 1/2" + O-RIN "	
3	SP-04-0131	COPERCHIO FILTRO COMPLETO		12	* SP-04-0147	CANDELOTTO COLLECTORE 1" 225 M "	
4	SP-04-0132	O-RING 209X6		12	* SP-04-0149	CANDELOTTO COLLECTORE 1" 175 M "	
5	SP-04-0133	ANELLO COLLO 20 VITI		13	* SP-04-0146	MANICOTTO DA 1" PER CANDELOTT "	
6	SP-04-0134	O-RING 255X4		14	* SP-04-0145	CANDELOTTO COLLECTORE 1" 100M "	
7	SP-04-0286	TAPPO SPURGO E GUARNIZIONE		15	* SP-04-0152	GRUPPO CANDELOTTO COLLECTORE	
8	* SP-04-0137	BASE FILTRO		15	* SP-04-0153	GRUPPO CANDELOTTO COLLECTORE D. 6	
8	* SP-04-0287	BASE FILTRO D. 650		15	* SP-04-0201	GRUPPO CANDELOTTO COLLECTORE D. 6	
8	* SP-04-0288	BASE FILTRO D. 800		15	* SP-04-0155	GRUPPO CANDELOTTO COLLECTORE D. 9	
8	* SP-04-0289	BASE FILTRO D. 950		16	* SP-04-0516	KIT COLLETTORE D. 500	
9	SP-04-0290	KIT SCARICO		16	* SP-04-0292	KIT COLLETTORE D. 650	
10	* SP-04-0253	O-RING D 60X8		16	* SP-04-0293	KIT COLLETTORE D. 800	

**CODICE FINI100650, FINI100800, FINI100950, FINI100500**

**DESCRIZIONE: FILTRI NILO D.500-650-800-950**

10	* SP-04-0291	O-RING D 70X5	16	* SP-04-0294	KIT COLLETTORE D. 950
11	* SP-04-0142	RACCORDO 1 1/2" + O-RIN *	17	* SP-04-0295	SUPPORTO COLLETTORE D.950-2 1/2"
18	* SP-04-0517	RACCORDO DIFFUSORE D. 500	19	* SP-04-0181	CONO DIFFUSORE D. 63
18	* SP-04-0296	RACCORDO DIFFUSORE D. 650	19	* SP-04-0182	CONO DIFFUSORE D. 75
18	* SP-04-0297	RACCORDO DIFFUSORE D. 800	20	SP-04-0299	TUBO RIGIDO L-1900
18	* SP-04-0298	RACCORDO DIFFUSORE D. 950 2 1/2"	21	SP-04-0129	SFIATO ARIA

CODICE **FINI100650, FINI100800, FINI100950, FINI100500**

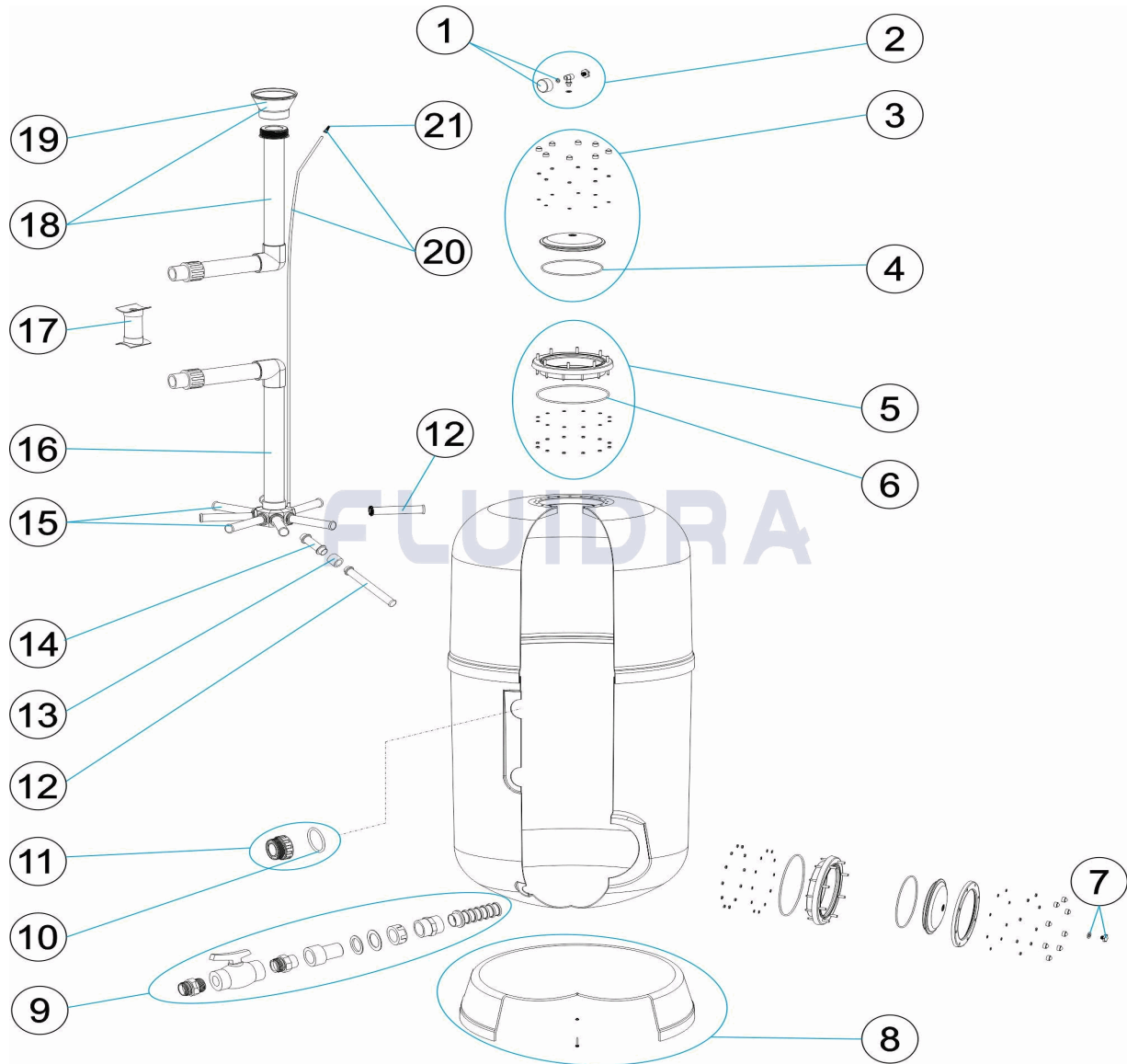
DESCRIZIONE: **FILTRI NILO D.500-650-800-950**

## OSSERVAZIONI

POS	CODICE	OSSERVAZIONI
8	* SP-04-0137	PER: FINI100500
8	* SP-04-0287	PER: FINI100650
8	* SP-04-0288	PER: FINI100800
8	* SP-04-0289	PER: FINI100950
10	* SP-04-0253	PER: FINI100650, FINI100800, FINI100500
10	* SP-04-0291	PER: FINI100950
11	* SP-04-0142	PER: FINI100650, FINI100500
11	* SP-04-0143	PER: FINI100800
11	* SP-04-0144	PER: FINI100950
12	* SP-04-0147	PER: FINI100650 [4UT], FINI100800 [6UT], FINI100950 [6UT]
12	* SP-04-0149	PER: FINI100500 [4UT]
13	* SP-04-0146	PER: FINI100950
14	* SP-04-0145	PER: FINI100950
15	* SP-04-0152	PER: FINI100500
15	* SP-04-0153	PER: FINI100650
15	* SP-04-0201	PER: FINI100800
15	* SP-04-0155	PER: FINI100950
16	* SP-04-0516	PER: FINI100500
16	* SP-04-0292	PER: FINI100650
16	* SP-04-0293	PER: FINI100800
16	* SP-04-0294	PER: FINI100950
17	* SP-04-0295	PER: FINI100950
18	* SP-04-0517	PER: FINI100500
18	* SP-04-0296	PER: FINI100650
18	* SP-04-0297	PER: FINI100800
18	* SP-04-0298	PER: FINI100950
19	* SP-04-0181	PER: FINI100650, FINI100500
19	* SP-04-0182	PER: FINI100800, FINI100950

CODE FINI100650, FINI100800, FINI100950, FINI100500

BESCHREIBUNG: FILTER NILO D.500-650-800-950


**DEUTSCH**

POS	CODE	BESCHREIBUNG	MENGE	POS	CODE	BESCHREIBUNG	MENGE
1	SP-04-0072	MANOMETER 1/8" 3 KG/C "		11	* SP-04-0143	GEWINDESTÜCK AUSGANG 2" UND O-RIN '	
2	SP-04-0071	MANOMETER KOMPLETT		11	* SP-04-0144	GEWINDESTÜCK AUSGANG 2 1/2" UND O-F	
3	SP-04-0131	FILTERDECKEL KOMPLETT		12	* SP-04-0147	FILTERSTERN-SCHLITZROHR 1" 225 M "	
4	SP-04-0132	O-RING 209 X 6		12	* SP-04-0149	FILTERSTERN-SCHLITZROHR 1" 175 M "	
5	SP-04-0133	FILTERRING 20 SCHRAUBEN		13	* SP-04-0146	NIPPEL ANSCHLUSSVERBINDUNG 1"	
6	SP-04-0134	O-RING 255 X 4		14	* SP-04-0145	FILTERSTERN-SCHLITZROHR 1" 100 M "	
7	SP-04-0286	ABLASSSTOPFEN UND DICHTUNG		15	* SP-04-0152	SET FILTERSTERN-SCHLITZROHR	
8	* SP-04-0137	FILTERFUSS		15	* SP-04-0153	SET FILTERSTERN-SCHLITZROHR D. 650	
8	* SP-04-0287	FILTERFUSS D. 650		15	* SP-04-0201	SET FILTERSTERN-SCHLITZROHR D. 650	
8	* SP-04-0288	FILTERFUSS D. 800		15	* SP-04-0155	SET FILTERSTERN-SCHLITZROHR D. 950 -	
8	* SP-04-0289	FILTERFUSS D. 950		16	* SP-04-0516	SAMMELROHRSET D. 500	
9	SP-04-0290	SET WASSERABLASS		16	* SP-04-0292	SAMMELROHRSET D. 650	
10	* SP-04-0253	O-RING D. 60 X 8		16	* SP-04-0293	SAMMELROHRSET D. 800	



# EINZELTEILE

ÜBER.: 0

9152

DATUM: 01/06/2022

BLATT: 2/3

CODE **FINI100650, FINI100800, FINI100950, FINI100500**BESCHREIBUNG: **FILTER NILO D.500-650-800-950**

10	* SP-04-0291	O-RING D. 70 X 5	16	* SP-04-0294	SAMMELROHRSET D. 950
11	* SP-04-0142	GEWINDESTÜCK 1 1/2" UND O-RIN "	17	* SP-04-0295	HALTERUNG WASSERVERTEILER D.950-2 !
18	* SP-04-0517	SET WASSERVERTEILER D. 500	19	* SP-04-0181	KEGEL WASSERVERTEILER D. 63
18	* SP-04-0296	SET WASSERVERTEILER D. 650	19	* SP-04-0182	KEGEL WASSERVERTEILER D. 75
18	* SP-04-0297	SET WASSERVERTEILER D. 800	20	SP-04-0299	ROHR HART L - 1900
18	* SP-04-0298	SET WASSERVERTEILER D. 950 2 1/2"	21	SP-04-0129	ENTLÜFTUNG

\* SIEHE ANMERKUNGSBLATT



# EINZELTEILE

ÜBER.: 0

9152

DATUM: 01/06/2022

BLATT: 3/3

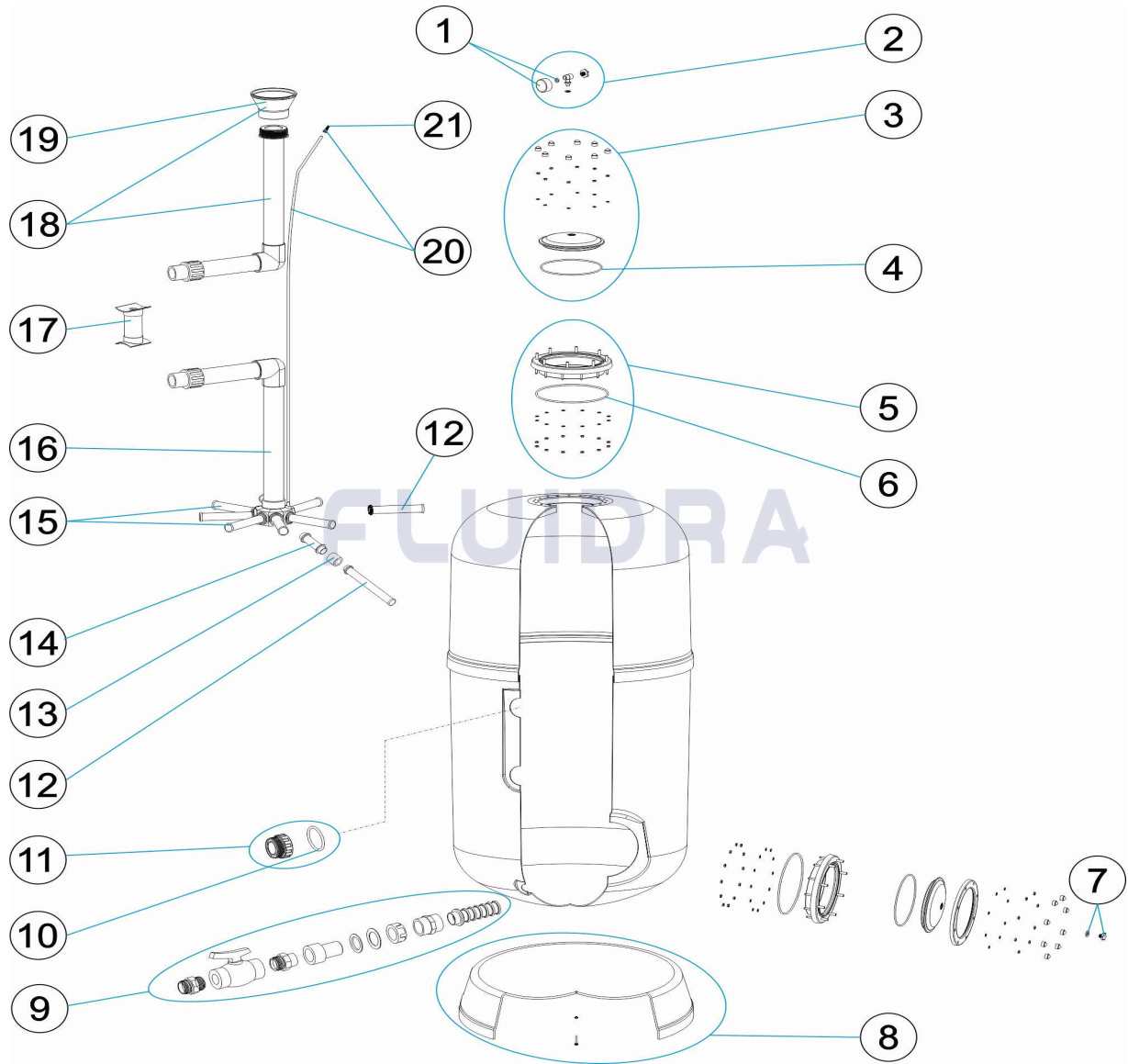
CODE FINI100650, FINI100800, FINI100950, FINI100500

BESCHREIBUNG: FILTER NILO D.500-650-800-950

## HINWEISE

POS	CODE	HINWEISE
8	* SP-04-0137	FÜR: FINI100500
8	* SP-04-0287	FÜR: FINI100650
8	* SP-04-0288	FÜR: FINI100800
8	* SP-04-0289	FÜR: FINI100950
10	* SP-04-0253	FÜR: FINI100650, FINI100800, FINI100500
10	* SP-04-0291	FÜR: FINI100950
11	* SP-04-0142	FÜR: FINI100650, FINI100500
11	* SP-04-0143	FÜR: FINI100800
11	* SP-04-0144	FÜR: FINI100950
12	* SP-04-0147	FÜR: FINI100650 [4UT], FINI100800 [6UT], FINI100950 [6UT]
12	* SP-04-0149	FÜR: FINI100500 [4UT]
13	* SP-04-0146	FÜR: FINI100950
14	* SP-04-0145	FÜR: FINI100950
15	* SP-04-0152	FÜR: FINI100500
15	* SP-04-0153	FÜR: FINI100650
15	* SP-04-0201	FÜR: FINI100800
15	* SP-04-0155	FÜR: FINI100950
16	* SP-04-0516	FÜR: FINI100500
16	* SP-04-0292	FÜR: FINI100650
16	* SP-04-0293	FÜR: FINI100800
16	* SP-04-0294	FÜR: FINI100950
17	* SP-04-0295	FÜR: FINI100950
18	* SP-04-0517	FÜR: FINI100500
18	* SP-04-0296	FÜR: FINI100650
18	* SP-04-0297	FÜR: FINI100800
18	* SP-04-0298	FÜR: FINI100950
19	* SP-04-0181	FÜR: FINI100650, FINI100500
19	* SP-04-0182	FÜR: FINI100800, FINI100950

CODIGO **FINI100650, FINI100800, FINI100950, FINI100500**

 DESCRIÇÃO: **FILTRO NILO D.500-650-800-950**


### PORTUGUES

POS	CODIGO	DESCRIÇÃO	JANTIDADE	POS	CODIGO	DESCRIÇÃO	JANTIDADE
1	SP-04-0072	MANOMETRO 1/8" 3 KG./C "		11	* SP-04-0143	ACOPLADOR SAÍDA 2" + JUNTA TORIC "	
2	SP-04-0071	MANÓMETRO COMPLETO		11	* SP-04-0144	RACORD DE SAIDA 2 1/2" + JUNTA TÓRIC "	
3	SP-04-0131	TAMPA FILTRO COMPLETO		12	* SP-04-0147	BRAÇO COLECTOR 1" 225 M "	
4	SP-04-0132	JUNTA TÓRICA 209X6		12	* SP-04-0149	BRAÇO COLECTOR 1" 175 M "	
5	SP-04-0133	ARO PESCOCOÇO 20 PARAFUSOS		13	* SP-04-0146	RACCORD UNIÃO 1"	
6	SP-04-0134	JUNTA TÓRICA 255X4		14	* SP-04-0145	BRAÇO COLECTOR 1" 100M "	
7	SP-04-0286	TAMPÃO PURGA E JUNTA		15	* SP-04-0152	CJTO. BRAÇO COLECTOR	
8	* SP-04-0137	PÉ FILTRO		15	* SP-04-0153	CJTO. BRAÇO COLECTOR D.650	
8	* SP-04-0287	PÉ FILTRO D. 650		15	* SP-04-0201	CJTO. BRAÇO COLECTOR D.650	
8	* SP-04-0288	PÉ FILTRO D. 800		15	* SP-04-0155	CJTO. BRAÇO COLECTOR D.950-1050	
8	* SP-04-0289	PÉ FILTRO D. 950		16	* SP-04-0516	CJTO. COLECTOR D. 500	
9	SP-04-0290	CONJUNTO PURDA		16	* SP-04-0292	CJTO. COLECTOR D 650	
10	* SP-04-0253	JUNTA TÓRICA D 60X8		16	* SP-04-0293	CJTO. COLECTOR D. 800	





# ITEM

REV.: 0

9152

DATA: 01/06/2022

FOLHA: 2/3

CODIGO **FINI100650, FINI100800, FINI100950, FINI100500**DESCRICAÇÃO: **FILTRO NILO D.500-650-800-950**

10	* SP-04-0291	JUNTA TÓRICA D 70X5	16	* SP-04-0294	CJTO. COLECTOR D. 950
11	* SP-04-0142	RACORD 1 1/2" JUNTA TORIC "	17	* SP-04-0295	SUPORTE COLECTOR D.950-2 ½"
18	* SP-04-0517	CJTO. DIFUSOR D. 500	19	* SP-04-0181	CONO DIFUSOR D. 63
18	* SP-04-0296	CJTO. DIFUSOR D. 650	19	* SP-04-0182	CONO DIFUSOR D. 75
18	* SP-04-0297	CJTO. DIFUSOR D. 800	20	SP-04-0299	TUBO RÍGIDO L-1900
18	* SP-04-0298	CJTO. DIFUSOR D. 950 2 1/2"	21	SP-04-0129	PURGA AREIA

**CODIGO FINI100650, FINI100800, FINI100950, FINI100500**

**DESCRIÇÃO: FILTRO NILO D.500-650-800-950**

## OBSERVAÇÕES

POS	CODIGO	OBSERVAÇÕES
8	* SP-04-0137	PARA: FINI100500
8	* SP-04-0287	PARA: FINI100650
8	* SP-04-0288	PARA: FINI100800
8	* SP-04-0289	PARA: FINI100950
10	* SP-04-0253	PARA: FINI100650, FINI100800, FINI100500
10	* SP-04-0291	PARA: FINI100950
11	* SP-04-0142	PARA: FINI100650, FINI100500
11	* SP-04-0143	PARA: FINI100800
11	* SP-04-0144	PARA: FINI100950
12	* SP-04-0147	PARA: FINI100650 [4UT], FINI100800 [6UT], FINI100950 [6UT]
12	* SP-04-0149	PARA: FINI100500 [4UT]
13	* SP-04-0146	PARA: FINI100950
14	* SP-04-0145	PARA: FINI100950
15	* SP-04-0152	PARA: FINI100500
15	* SP-04-0153	PARA: FINI100650
15	* SP-04-0201	PARA: FINI100800
15	* SP-04-0155	PARA: FINI100950
16	* SP-04-0516	PARA: FINI100500
16	* SP-04-0292	PARA: FINI100650
16	* SP-04-0293	PARA: FINI100800
16	* SP-04-0294	PARA: FINI100950
17	* SP-04-0295	PARA: FINI100950
18	* SP-04-0517	PARA: FINI100500
18	* SP-04-0296	PARA: FINI100650
18	* SP-04-0297	PARA: FINI100800
18	* SP-04-0298	PARA: FINI100950
19	* SP-04-0181	PARA: FINI100650, FINI100500
19	* SP-04-0182	PARA: FINI100800, FINI100950