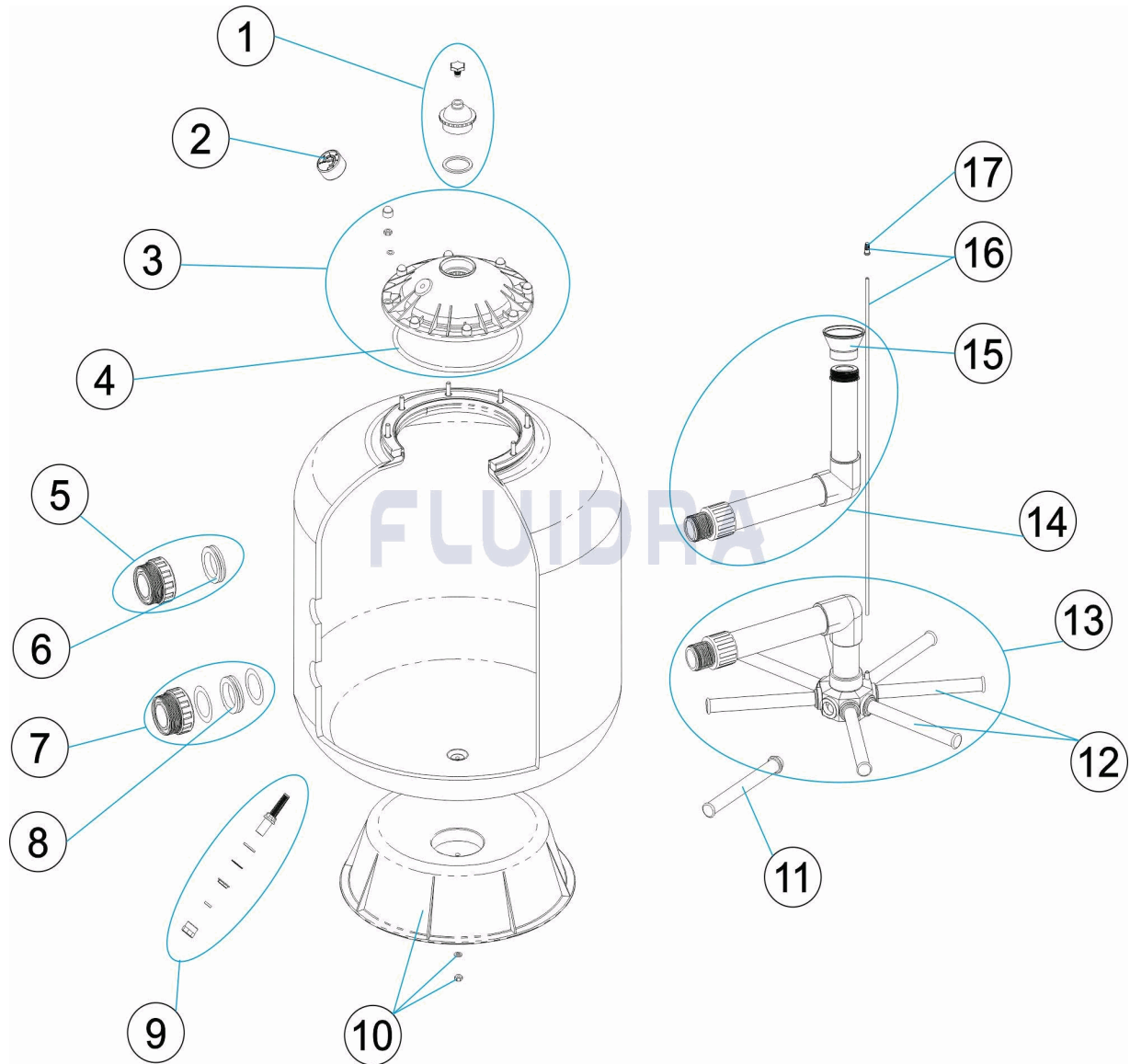


CODIGO **FI-VI0500, FI-VI0600, FI-VI0750**

 DESCRIPCION: **FILTRO VIENA SALIDA LATERAL D. 500 - 600 - 750**

ESPAÑOL

POS	CODIGO	DESCRIPCION	CANTIDAD	POS	CODIGO	DESCRIPCION	CANTIDAD
1	SP-04-0262	PURGA VISOR		12	* SP-04-0152	CJTO. BRAZOS COLECTOR	
2	SP-04-0010	MANOMETRO 1/8" 3 KG./C "		12	* SP-04-0153	CJTO. BRAZOS COLECTOR D. 650	
3	SP-04-0263	TAPA FILTRO		12	* SP-04-0154	CJTO. BRAZOS COLECTOR D. 750	
4	SP-04-0264	JUNTA TAPA		13	* SP-04-0267	CJTO. COLECTOR D. 500	
5	* SP-04-0015	RACORD 1 1/2' + JUNTA CONCAVA		13	* SP-04-0268	CJTO. COLECTOR D. 600	
6	* SP-04-0016	JUNTA CONCAVA 1 1/2"		13	* SP-04-0269	CJTO. COLECTOR D. 750	
7	* SP-04-0265	RACORD 2" + JUNTA CONCAV		14	* SP-04-0270	CJTO. DIFUSOR D. 500	
8	* SP-04-0252	JUNTA CONCAVA 2"		14	* SP-04-0271	CJTO. DIFUSOR D. 600	
9	SP-04-0237	CREPINA PURGA 3/8"		14	* SP-04-0272	CJTO. DIFUSOR D. 750	
10	* SP-04-0239	PIE FILTRO D. 500		15	* SP-04-0180	CONO DIFUSOR D.50	
10	* SP-04-0240	PIE FILTRO D. 600		15	* SP-04-0181	CONO DIFUSOR D. 63	
10	* SP-04-0266	PIE FILTRO D. 750		16	* SP-04-0273	TUBO RIGIDO L-510	
11	* SP-04-0149	BRAZO COLECTOR 1" 175 M "		16	* SP-04-0184	PURGA AIRE + TUBO L=670	

* NOTA OBSERVACIONES



KIT

REV: 0

9149

FECHA: 01/06/2022

HOJA: 2/3

CODIGO **FI-VI0500, FI-VI0600, FI-VI0750**DESCRIPCION: **FILTRO VIENA SALIDA LATERAL D. 500 - 600 - 750**

11	* SP-04-0147	BRAZO COLECTOR 1" 225 M "	16	* SP-04-0275	TUBO RIGIDO L-760
11	* SP-04-0150	BRAZO COLECTOR 1" 265 M "	17	SP-04-0129	PURGA AIRE



KIT

REV: 0

9149

FECHA: 01/06/2022

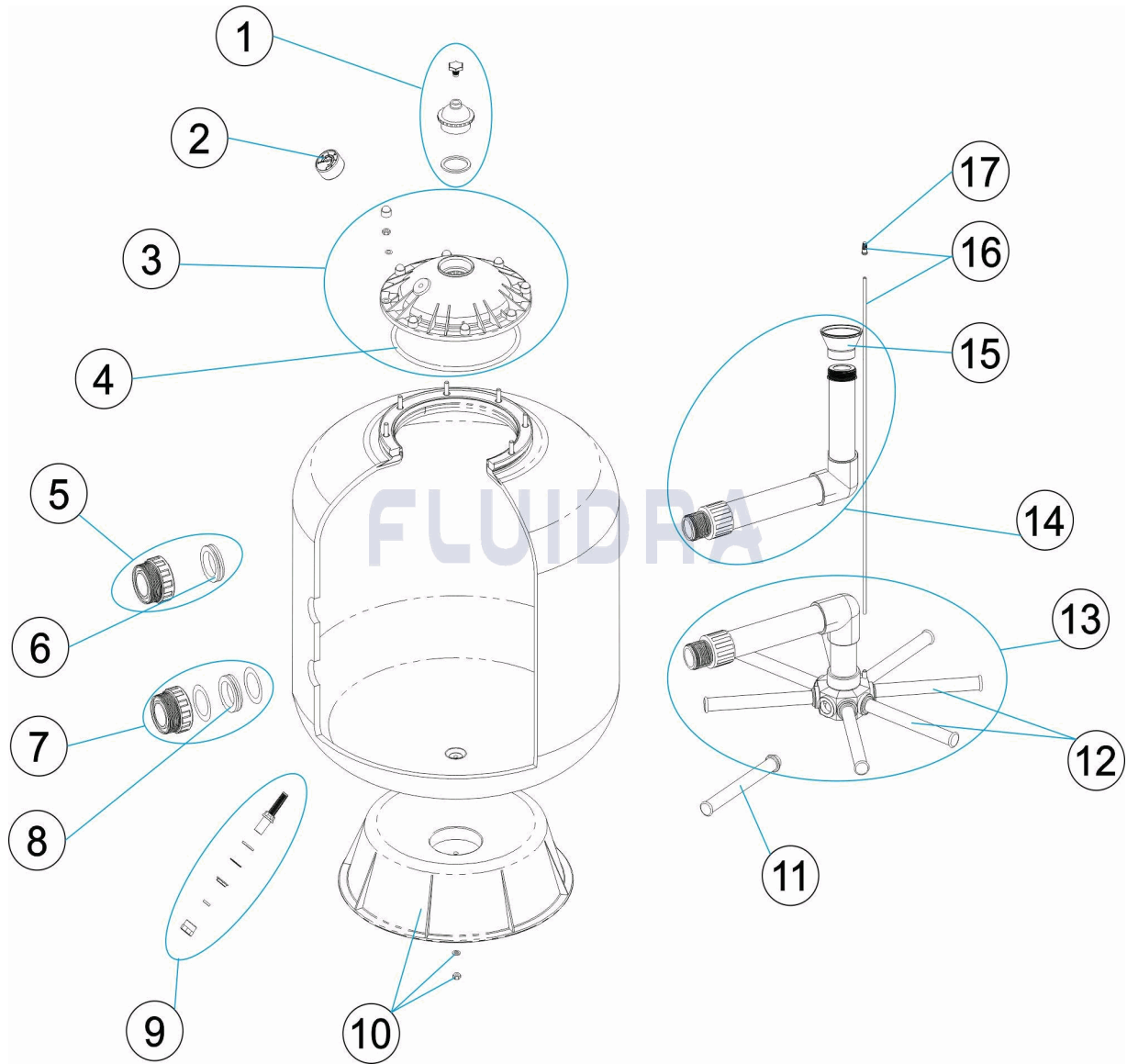
HOJA: 3/3

CODIGO **FI-VI0500, FI-VI0600, FI-VI0750**DESCRIPCION: **FILTRO VIENA SALIDA LATERAL D. 500 - 600 - 750**

OBSERVACIONES

POS	CODIGO	OBSERVACIONES
5	* SP-04-0015	PARA: FI-VI0500, FI-VI0600
6	* SP-04-0016	PARA: FI-VI0500, FI-VI0600
7	* SP-04-0265	PARA: FI-VI0750
8	* SP-04-0252	PARA: FI-VI0750
10	* SP-04-0239	PARA: FI-VI0500
10	* SP-04-0240	PARA: FI-VI0600
10	* SP-04-0266	PARA: FI-VI0750
11	* SP-04-0149	PARA: FI-VI0500 [4UNIDADES]
11	* SP-04-0147	PARA: FI-VI0600 [4UNIDADES]
11	* SP-04-0150	PARA: FI-VI0750 [6UNIDADES]
12	* SP-04-0152	PARA: FI-VI0500
12	* SP-04-0153	PARA: FI-VI0600
12	* SP-04-0154	PARA: FI-VI0750
13	* SP-04-0267	PARA: FI-VI0500
13	* SP-04-0268	PARA: FI-VI0600
13	* SP-04-0269	PARA: FI-VI0750
14	* SP-04-0270	PARA: FI-VI0500
14	* SP-04-0271	PARA: FI-VI0600
14	* SP-04-0272	PARA: FI-VI0750
15	* SP-04-0180	PARA: FI-VI0500, FI-VI0600
15	* SP-04-0181	PARA: FI-VI0750
16	* SP-04-0273	PARA: FI-VI0500
16	* SP-04-0184	PARA: FI-VI0600
16	* SP-04-0275	PARA: FI-VI0750

CODE **FI-VI0500, FI-VI0600, FI-VI0750**

 DESCRIPTION: **FILTRE VIENA SORTIE LATÉRALE D. 500 - 600 - 750**

FRANCAIS

POS	CODE	DESCRIPTION	QUANTITE	POS	CODE	DESCRIPTION	QUANTITE
1	SP-04-0262	PURGE		12	* SP-04-0152	ENSEMBLE BRAS DE REPARTITEUR	
2	SP-04-0010	MANOMETRE 1/8" 3 KG./C "		12	* SP-04-0153	ENSEMBLE BRAS DE REPARTITEUR D. 650	
3	SP-04-0263	COUVERCLE DE FILTRE		12	* SP-04-0154	ENSEMBLE BRAS DE REPARTITEUR D. 750	
4	SP-04-0264	JOINT DE COUVERCLE		13	* SP-04-0267	ENSEMBLE COLLECTEUR D. 500	
5	* SP-04-0015	RACCORD 1 1/2' + JOINT CONCAVE		13	* SP-04-0268	ENSEMBLE COLLECTEUR D. 600	
6	* SP-04-0016	JOINT CONCAVE 1 1/2"		13	* SP-04-0269	ENSEMBLE COLLECTEUR D. 750	
7	* SP-04-0265	RACCORD 2" + JOINT CONCAV "		14	* SP-04-0270	ENSEMBLE DIFFUSEUR D. 500	
8	* SP-04-0252	JOINT CONCAVE 2"		14	* SP-04-0271	ENSEMBLE DIFFUSEUR D. 600	
9	SP-04-0237	CREPINE DE PURGE 3/8'		14	* SP-04-0272	ENSEMBLE DIFFUSEUR D. 750	
10	* SP-04-0239	SOCLE FILTRE D 500		15	* SP-04-0180	DIFUSOR CONIQUE SUPÉRIOR D. 50	
10	* SP-04-0240	SOCLE FILTRE D 600		15	* SP-04-0181	DIFUSOR CONIQUE SUPÉRIOR D. 63	
10	* SP-04-0266	SOCLE FILTRE D 750		16	* SP-04-0273	TUBE RIGIDE L-510	
11	* SP-04-0149	BRAS DE REPARTITEUR 1" 175 M "		16	* SP-04-0184	PURGE AIR + TUBE L=670	

* VOIR FICHE D'OBSERVATIONS



ÉCLATÉ

REV.: 0

9149

DATE: 01/06/2022

PAG.: 2/3

CODE **FI-VI0500, FI-VI0600, FI-VI0750**DESCRIPTION: **FILTRE VIENA SORTIE LATÉRALE D. 500 - 600 - 750**

11	* SP-04-0147	BRAS DE REPARTITEUR 1" 225 M "	16	* SP-04-0275	TUBE RIGIDE L-760
11	* SP-04-0150	BRAS DE REPARTITEUR 1" 265 M/M "	17	SP-04-0129	PURGE D'AIR

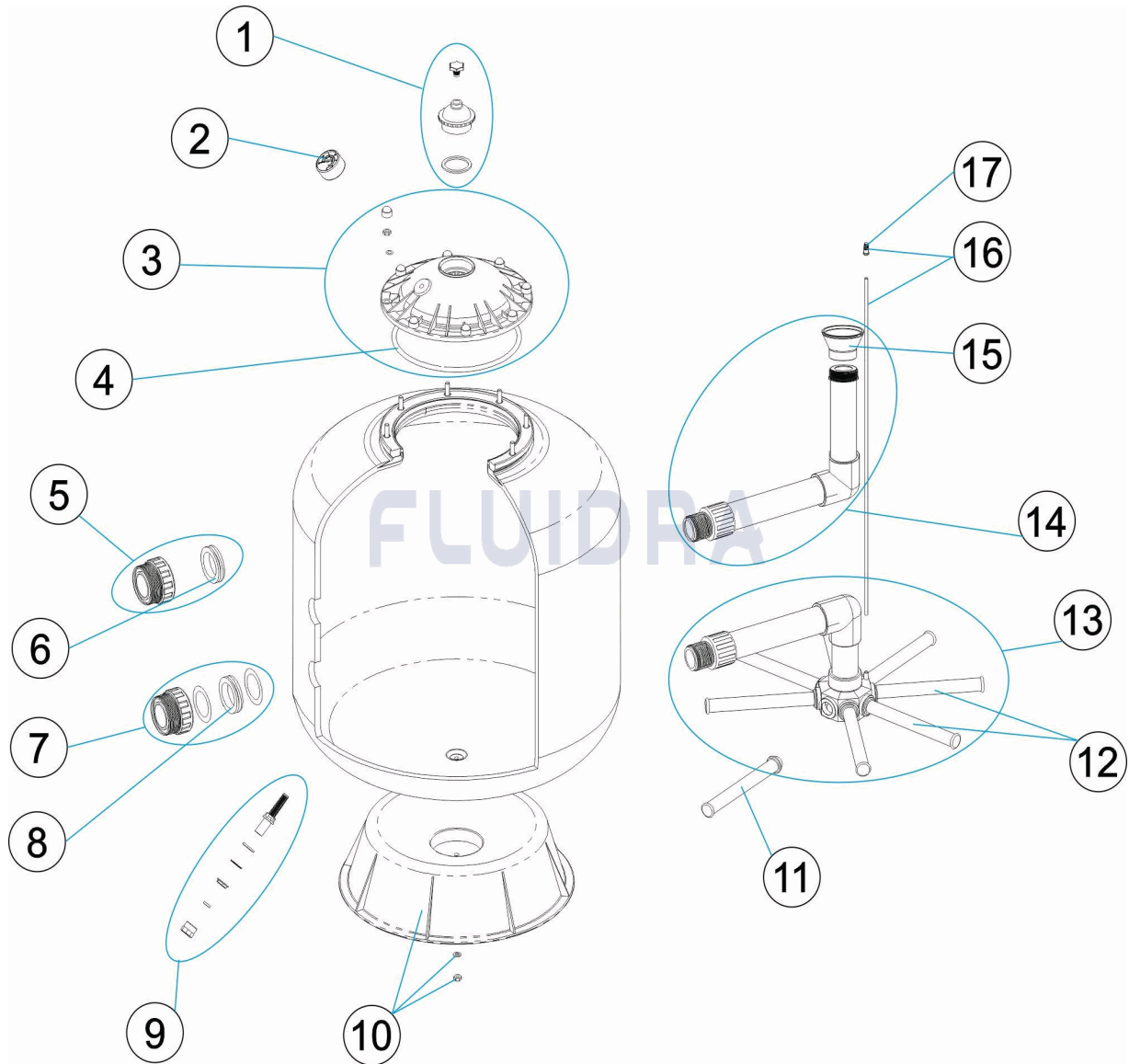
CODE **FI-VI0500, FI-VI0600, FI-VI0750**

DESCRIPTION: **FILTRE VIENA SORTIE LATÉRALE D. 500 - 600 - 750**

OBSERVATIONS

POS	CODE	OBSERVATIONS
5	* SP-04-0015	POUR: FI-VI0500, FI-VI0600
6	* SP-04-0016	POUR: FI-VI0500, FI-VI0600
7	* SP-04-0265	POUR: FI-VI0750
8	* SP-04-0252	POUR: FI-VI0750
10	* SP-04-0239	POUR: FI-VI0500
10	* SP-04-0240	POUR: FI-VI0600
10	* SP-04-0266	POUR: FI-VI0750
11	* SP-04-0149	POUR: FI-VI0500 [4UT]
11	* SP-04-0147	POUR: FI-VI0600 [4UT]
11	* SP-04-0150	POUR: FI-VI0750 [6UT]
12	* SP-04-0152	POUR: FI-VI0500
12	* SP-04-0153	POUR: FI-VI0600
12	* SP-04-0154	POUR: FI-VI0750
13	* SP-04-0267	POUR: FI-VI0500
13	* SP-04-0268	POUR: FI-VI0600
13	* SP-04-0269	POUR: FI-VI0750
14	* SP-04-0270	POUR: FI-VI0500
14	* SP-04-0271	POUR: FI-VI0600
14	* SP-04-0272	POUR: FI-VI0750
15	* SP-04-0180	POUR: FI-VI0500, FI-VI0600
15	* SP-04-0181	POUR: FI-VI0750
16	* SP-04-0273	POUR: FI-VI0500
16	* SP-04-0184	POUR: FI-VI0600
16	* SP-04-0275	POUR: FI-VI0750

CODE **FI-VI0500, FI-VI0600, FI-VI0750**
DESCRIPTION: **VIENA FILTER SIDE OUTLET D. 500 - 600 - 750**



ENGLISH

POS	CODE	DESCRIPTION	QUANTITY	POS	CODE	DESCRIPTION	QUANTITY
1	SP-04-0262	AIR RELIEF SIGHT GLASS		12	* SP-04-0152	MANIFOLD ARM ASSEMBLY	
2	SP-04-0010	PRESSURE GAUGE 1/8" 3 KG./C "		12	* SP-04-0153	MANIFOLD ARM ASSEMBLY D. 650	
3	SP-04-0263	FILTER LID		12	* SP-04-0154	MANIFOLD ARM ASSEMBLY D. 750	
4	SP-04-0264	LID GASKET		13	* SP-04-0267	MANIFOLD ASSEMBLY D. 500	
5	* SP-04-0015	1 1/2" FITTING + CONCAVE GASKET		13	* SP-04-0268	MANIFOLD ASSEMBLY D. 600	
6	* SP-04-0016	CONCAVE GASKET 1 1/2"		13	* SP-04-0269	MANIFOLD ASSEMBLY D. 750	
7	* SP-04-0265	2" FITTING + CONCAVE GASKE "		14	* SP-04-0270	DIFFUSER ASSEMBLY D. 500	
8	* SP-04-0252	CONCAVE GASKET 2"		14	* SP-04-0271	DIFFUSER ASSEMBLY D. 600	
9	SP-04-0237	DRAINAGE STRAINER NOZZLE 3/8'		14	* SP-04-0272	DIFFUSER ASSEMBLY D. 750	
10	* SP-04-0239	FILTER BASE D. 500		15	* SP-04-0180	DIFFUSER CONE D. 50	
10	* SP-04-0240	FILTER BASE D. 600		15	* SP-04-0181	DIFFUSER CONE D. 63	
10	* SP-04-0266	FILTER BASE D. 750		16	* SP-04-0273	RIGID PIPE L-510	
11	* SP-04-0149	MANIFOLD ARM 1" 175 M "		16	* SP-04-0184	AIR PURGE + PIPE L=670	

* SEE OBSERVATIONS SHEET



PARTS BREAKDOWN

REV.: 0

9149

DATE: 01/06/2022

SHEET: 2/3

CODE **FI-VI0500, FI-VI0600, FI-VI0750**DESCRIPTION: **VIENA FILTER SIDE OUTLET D. 500 - 600 - 750**

11	* SP-04-0147	MANIFOLD ARM 1" 225 M "	16	* SP-04-0275	RIGID PIPE L-760
11	* SP-04-0150	COLLECTOR ARM 1" 265 M "	17	SP-04-0129	AIR PURGE

* SEE OBSERVATIONS SHEET



PARTS BREAKDOWN

REV.: 0
DATE: 01/06/2022
SHEET: 3/3

9149

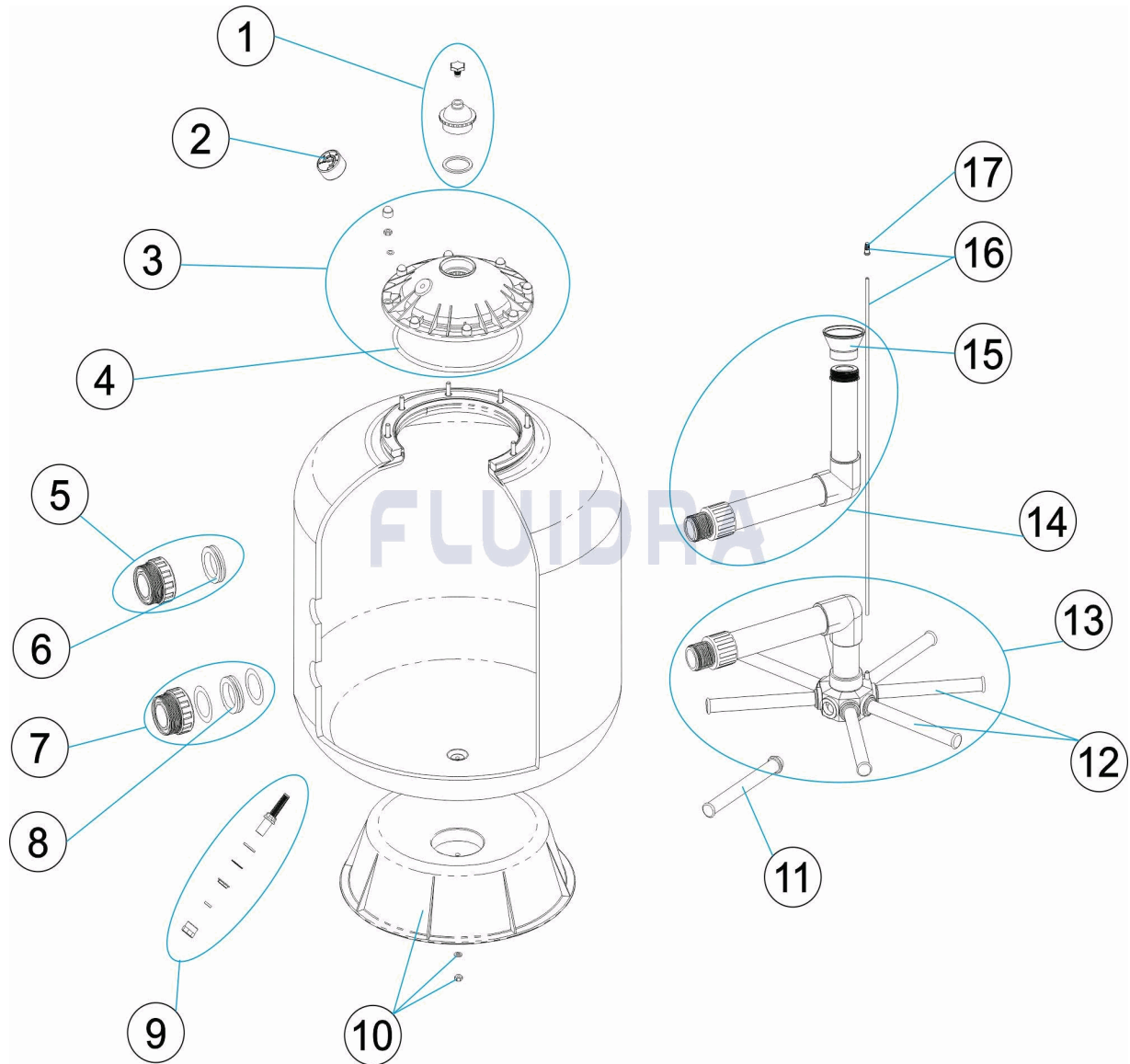
CODE FI-VI0500, FI-VI0600, FI-VI0750

DESCRIPTION: VIENA FILTER SIDE OUTLET D. 500 - 600 - 750

OBSERVATIONS

POS	CODE	OBSERVATIONS
5	* SP-04-0015	FOR: FI-VI0500, FI-VI0600
6	* SP-04-0016	FOR: FI-VI0500, FI-VI0600
7	* SP-04-0265	FOR: FI-VI0750
8	* SP-04-0252	FOR: FI-VI0750
10	* SP-04-0239	FOR: FI-VI0500
10	* SP-04-0240	FOR: FI-VI0600
10	* SP-04-0266	FOR: FI-VI0750
11	* SP-04-0149	FOR: FI-VI0500 [4UT]
11	* SP-04-0147	FOR: FI-VI0600 [4UT]
11	* SP-04-0150	FOR: FI-VI0750 [6UT]
12	* SP-04-0152	FOR: FI-VI0500
12	* SP-04-0153	FOR: FI-VI0600
12	* SP-04-0154	FOR: FI-VI0750
13	* SP-04-0267	FOR: FI-VI0500
13	* SP-04-0268	FOR: FI-VI0600
13	* SP-04-0269	FOR: FI-VI0750
14	* SP-04-0270	FOR: FI-VI0500
14	* SP-04-0271	FOR: FI-VI0600
14	* SP-04-0272	FOR: FI-VI0750
15	* SP-04-0180	FOR: FI-VI0500, FI-VI0600
15	* SP-04-0181	FOR: FI-VI0750
16	* SP-04-0273	FOR: FI-VI0500
16	* SP-04-0184	FOR: FI-VI0600
16	* SP-04-0275	FOR: FI-VI0750

CODICE **FI-VI0500, FI-VI0600, FI-VI0750**

 DESCRIZIONE: **FILTRO VIENA USCITA LATERALE D. 500-600-750**

ITALIANO

POS	CODICE	DESCRIZIONE	QUANTITA'	POS	CODICE	DESCRIZIONE	QUANTITA'
1	SP-04-0262	SCARICO VISORE		12	* SP-04-0152	GRUPPO CANDELOTTO COLLECTORE	
2	SP-04-0010	MANOMETRO 1/8" 3 KG./C "		12	* SP-04-0153	GRUPPO CANDELOTTO COLLECTORE D. 6	
3	SP-04-0263	COPERCHIO FILTRO		12	* SP-04-0154	GRUPPO CANDELOTTO COLLECTORE D. 7	
4	SP-04-0264	GUARNIZIONE COPERCHIO		13	* SP-04-0267	KIT COLLETTORE D. 500	
5	* SP-04-0015	RACCORDO 1 1/2" + GUAR. CONCAVA		13	* SP-04-0268	KIT COLLETTORE D. 600	
6	* SP-04-0016	GUARNIZIONI CONCAVA 1 1/2"		13	* SP-04-0269	KIT COLLETTORE D. 750	
7	* SP-04-0265	RACCORDO 2" + GUAR. CONCAV "		14	* SP-04-0270	RACCORDO DIFFUSORE D. 500	
8	* SP-04-0252	GUARNIZIONI CONCAVA 2"		14	* SP-04-0271	RACCORDO DIFFUSORE D. 600	
9	SP-04-0237	DIFFUSORE SCARICO 3/8"		14	* SP-04-0272	RACCORDO DIFFUSORE D. 750	
10	* SP-04-0239	BASE FILTRO D 500		15	* SP-04-0180	CONO DIFFUSORE D. 50	
10	* SP-04-0240	BASE FILTRO D 600		15	* SP-04-0181	CONO DIFFUSORE D. 63	
10	* SP-04-0266	BASE FILTRO D 750		16	* SP-04-0273	TUBO RIGIDO L-510	
11	* SP-04-0149	CANDELOTTO COLLECTORE 1" 175 M "		16	* SP-04-0184	SPURGO ARIA + TUBO L=670	

* SI FACCIA RIFERIMENTO AL FOGLIO DELLE OSSERVAZIONI



ESPLOSO

REV.: 0

9149

DATA: 01/06/2022

PAG.: 2/3

CODICE **FI-VI0500, FI-VI0600, FI-VI0750**DESCRIZIONE: **FILTRO VIENA USCITA LATERALE D. 500-600-750**

11	* SP-04-0147	CANDELOTTO COLLECTORE 1" 225 M "	16	* SP-04-0275	TUBO RIGIDO L-760
11	* SP-04-0150	CANDELOTTO 1" 265 M/M "	17	SP-04-0129	SFIATO ARIA

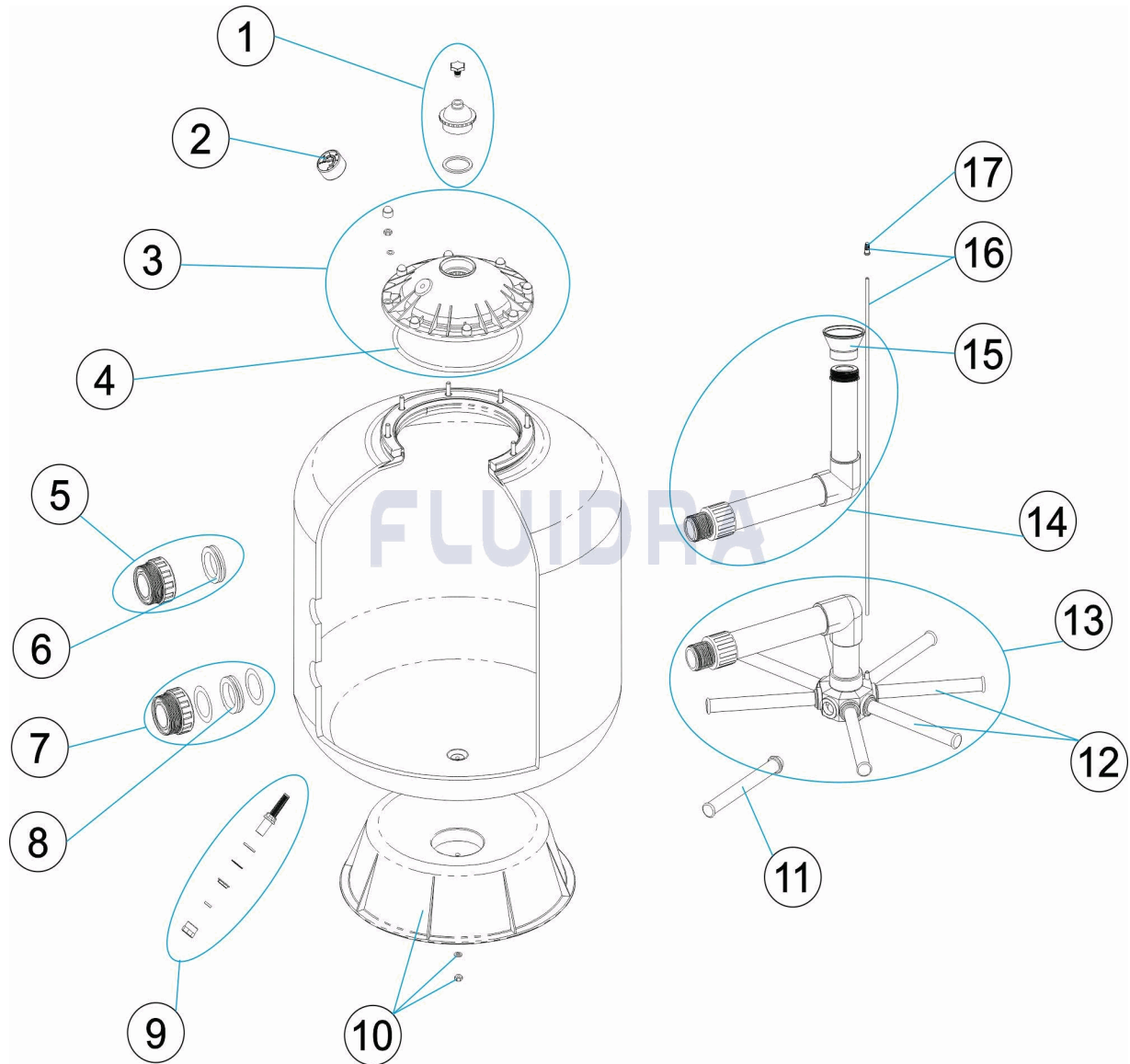
CODICE **FI-VI0500, FI-VI0600, FI-VI0750**

DESCRIZIONE: **FILTRO VIENA USCITA LATERALE D. 500-600-750**

OSSERVAZIONI

POS	CODICE	OSSERVAZIONI
5	* SP-04-0015	PER: FI-VI0500, FI-VI0600
6	* SP-04-0016	PER: FI-VI0500, FI-VI0600
7	* SP-04-0265	PER: FI-VI0750
8	* SP-04-0252	PER: FI-VI0750
10	* SP-04-0239	PER: FI-VI0500
10	* SP-04-0240	PER: FI-VI0600
10	* SP-04-0266	PER: FI-VI0750
11	* SP-04-0149	PER: FI-VI0500 [4UT]
11	* SP-04-0147	PER: FI-VI0600 [4UT]
11	* SP-04-0150	PER: FI-VI0750 [6UT]
12	* SP-04-0152	PER: FI-VI0500
12	* SP-04-0153	PER: FI-VI0600
12	* SP-04-0154	PER: FI-VI0750
13	* SP-04-0267	PER: FI-VI0500
13	* SP-04-0268	PER: FI-VI0600
13	* SP-04-0269	PER: FI-VI0750
14	* SP-04-0270	PER: FI-VI0500
14	* SP-04-0271	PER: FI-VI0600
14	* SP-04-0272	PER: FI-VI0750
15	* SP-04-0180	PER: FI-VI0500, FI-VI0600
15	* SP-04-0181	PER: FI-VI0750
16	* SP-04-0273	PER: FI-VI0500
16	* SP-04-0184	PER: FI-VI0600
16	* SP-04-0275	PER: FI-VI0750

CODE **FI-VI0500, FI-VI0600, FI-VI0750**

 BESCHREIBUNG: **FILTER VIENA AUSGANG SEITLICH D. 500 - 600 - 750**

DEUTSCH

POS	CODE	BESCHREIBUNG	MENGE	POS	CODE	BESCHREIBUNG	MENGE
1	SP-04-0262	ABLASS SCHAUGLAS		12	* SP-04-0152	SET FILTERSTERN-SCHLITZROHR	
2	SP-04-0010	MANOMETER 1/8" 3 KG/C "		12	* SP-04-0153	SET FILTERSTERN-SCHLITZROHR D. 650	
3	SP-04-0263	FILTERDECKEL		12	* SP-04-0154	SET FILTERSTERN-SCHLITZROHR D. 750	
4	SP-04-0264	DICHTUNG ABDECKUNG		13	* SP-04-0267	SAMMELROHRSET D. 500	
5	* SP-04-0015	GEWINDESTÜCK 1 1/2' UND DICHTUNG KC		13	* SP-04-0268	SAMMELROHRSET D. 600	
6	* SP-04-0016	DICHTUNG KONKAV 1 1/2"		13	* SP-04-0269	SAMMELROHRSET D. 750	
7	* SP-04-0265	GEWINDESTÜCK 2" UND DICHTUNG KONK		14	* SP-04-0270	SET WASSERVERTEILER D. 500	
8	* SP-04-0252	DICHTUNG KONKAV 2"		14	* SP-04-0271	SET WASSERVERTEILER D. 600	
9	SP-04-0237	FILTERSTOPFEN ABLASS 3/8"		14	* SP-04-0272	SET WASSERVERTEILER D. 750	
10	* SP-04-0239	FILTERFUSS D. 500		15	* SP-04-0180	KEGEL WASSERVERTEILER D. 50	
10	* SP-04-0240	FILTERFUSS D. 600		15	* SP-04-0181	KEGEL WASSERVERTEILER D. 63	
10	* SP-04-0266	FILTERFUSS D. 750		16	* SP-04-0273	ROHR HART L - 510	
11	* SP-04-0149	FILTERSTERN-SCHLITZROHR 1" 175 M "		16	* SP-04-0184	ENTLÜFTUNG UND ROHR L=670	



EINZELTEILE

ÜBER.: 0

9149

DATUM: 01/06/2022

BLATT: 2/3

CODE **FI-VI0500, FI-VI0600, FI-VI0750**BESCHREIBUNG: **FILTER VIENA AUSGANG SEITLICH D. 500 - 600 - 750**

11	* SP-04-0147	FILTERSTERN-SCHLITZROHR 1" 225 M "	16	* SP-04-0275	ROHR HART L-760
11	* SP-04-0150	FILTERSTERN-SCHLITZROHR 1" 265 M "	17	SP-04-0129	ENTLÜFTUNG

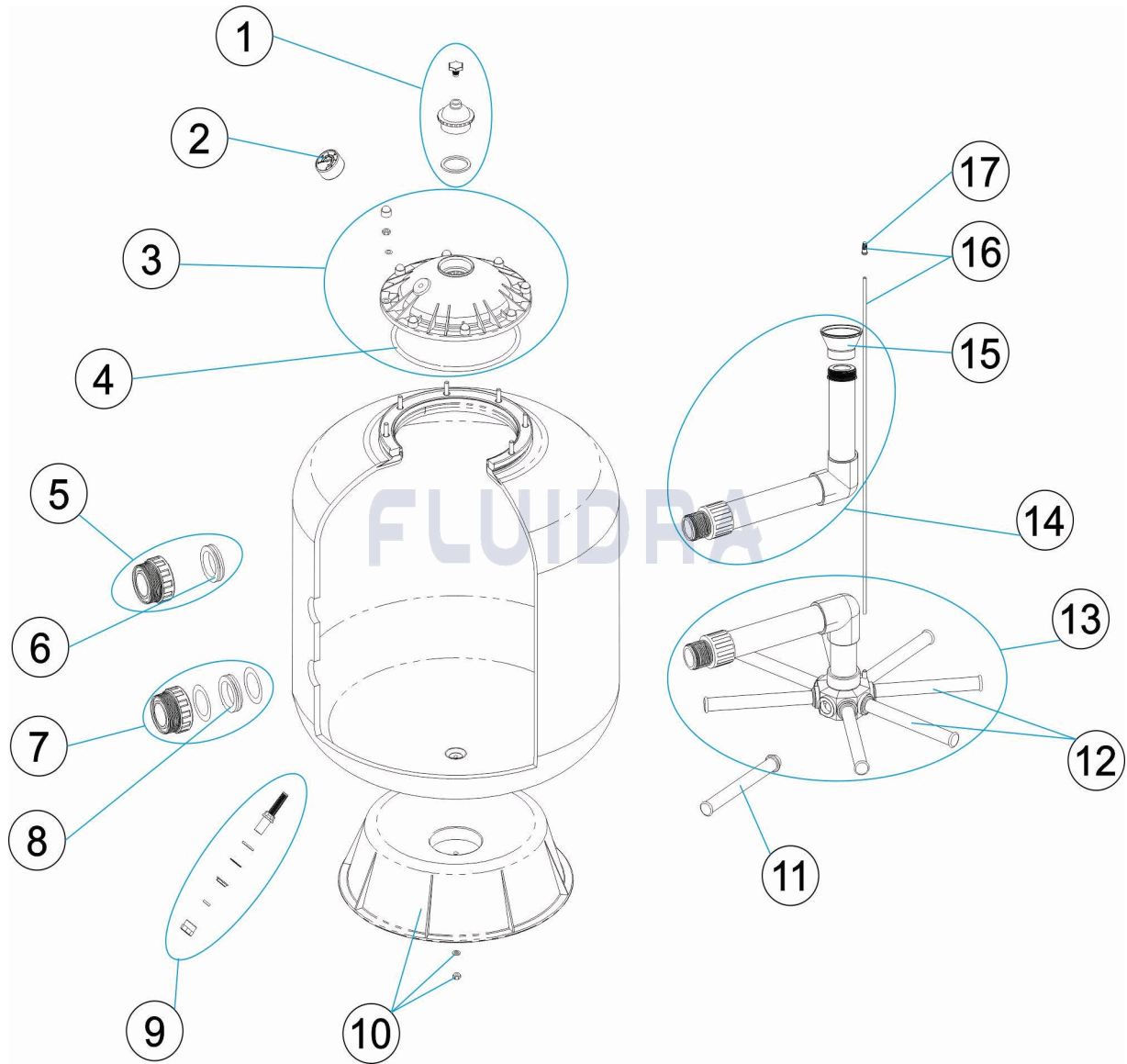
CODE **FI-VI0500, FI-VI0600, FI-VI0750**

BESCHREIBUNG: **FILTER VIENA AUSGANG SEITLICH D. 500 - 600 - 750**

HINWEISE

POS	CODE	HINWEISE
5	* SP-04-0015	FÜR: FI-VI0500, FI-VI0600
6	* SP-04-0016	FÜR: FI-VI0500, FI-VI0600
7	* SP-04-0265	FÜR: FI-VI0750
8	* SP-04-0252	FÜR: FI-VI0750
10	* SP-04-0239	FÜR: FI-VI0500
10	* SP-04-0240	FÜR: FI-VI0600
10	* SP-04-0266	FÜR: FI-VI0750
11	* SP-04-0149	FÜR: FI-VI0500 [4UT]
11	* SP-04-0147	FÜR: FI-VI0600 [4UT]
11	* SP-04-0150	FÜR: FI-VI0750 [6UT]
12	* SP-04-0152	FÜR: FI-VI0500
12	* SP-04-0153	FÜR: FI-VI0600
12	* SP-04-0154	FÜR: FI-VI0750
13	* SP-04-0267	FÜR: FI-VI0500
13	* SP-04-0268	FÜR: FI-VI0600
13	* SP-04-0269	FÜR: FI-VI0750
14	* SP-04-0270	FÜR: FI-VI0500
14	* SP-04-0271	FÜR: FI-VI0600
14	* SP-04-0272	FÜR: FI-VI0750
15	* SP-04-0180	FÜR: FI-VI0500, FI-VI0600
15	* SP-04-0181	FÜR: FI-VI0750
16	* SP-04-0273	FÜR: FI-VI0500
16	* SP-04-0184	FÜR: FI-VI0600
16	* SP-04-0275	FÜR: FI-VI0750

CODIGO **FI-VI0500, FI-VI0600, FI-VI0750**

 DESCRIÇÃO: **FILTRO VIENA SAÍDA LATERAL D. 500 - 600 - 750**


PORTUGUES

POS	CODIGO	DESCRIÇÃO	JANTIDADE	POS	CODIGO	DESCRIÇÃO	JANTIDADE
1	SP-04-0262	FECHO COMPLETO		12	* SP-04-0152	CJTO. BRAÇO COLECTOR	
2	SP-04-0010	MANOMETRO 1/8" 3 KG./C "		12	* SP-04-0153	CJTO. BRAÇO COLECTOR D.650	
3	SP-04-0263	TAMPA FILTRO		12	* SP-04-0154	CJTO. BRAÇO COLECTOR D. 750	
4	SP-04-0264	JUNTA TAMPA		13	* SP-04-0267	CJTO. COLECTOR D. 500	
5	* SP-04-0015	RACORD 1 1/2' + JUNTA CONCAVA		13	* SP-04-0268	CJTO. COLECTOR D. 600	
6	* SP-04-0016	JUNTA CÓNCAVA 1 1/2"		13	* SP-04-0269	CJTO. COLECTOR D. 750	
7	* SP-04-0265	RACORD 2" + JUNTA CONCAV "		14	* SP-04-0270	CJTO. DIFUSOR D. 500	
8	* SP-04-0252	JUNTA CÓNCAVA 2"		14	* SP-04-0271	CJTO. DIFUSOR D. 600	
9	SP-04-0237	DRENO 3/8"		14	* SP-04-0272	CJTO. DIFUSOR D. 750	
10	* SP-04-0239	PÉ FILTRO D 500		15	* SP-04-0180	CONO DIFUSOR D. 50	
10	* SP-04-0240	PÉ FILTRO D 600		15	* SP-04-0181	CONO DIFUSOR D. 63	
10	* SP-04-0266	PÉ FILTRO D 750		16	* SP-04-0273	TUBO RÍGIDO L-510	
11	* SP-04-0149	BRAÇO COLECTOR 1" 175 M "		16	* SP-04-0184	PURGA AR + TUBO L=670	

* VEJA A FICHA DE OBSERVAÇÕES



ITEM

REV.: 0

9149

DATA: 01/06/2022

FOLHA: 2/3

CODIGO **FI-VI0500, FI-VI0600, FI-VI0750**DESCRICAÇÃO: **FILTRO VIENA SAÍDA LATERAL D. 500 - 600 - 750**

11	* SP-04-0147	BRAÇO COLECTOR 1" 225 M "	16	* SP-04-0275	TUBO RÍGIDO L-760
11	* SP-04-0150	BRAÇO COLECTOR 1" 265 M/M "	17	SP-04-0129	PURGA AREIA

CODIGO FI-VI0500, FI-VI0600, FI-VI0750

DESCRIÇÃO: FILTRO VIENA SAÍDA LATERAL D. 500 - 600 - 750

OBSERVAÇÕES

POS	CODIGO	OBSERVAÇÕES
5	* SP-04-0015	PARA: FI-VI0500, FI-VI0600
6	* SP-04-0016	PARA: FI-VI0500, FI-VI0600
7	* SP-04-0265	PARA: FI-VI0750
8	* SP-04-0252	PARA: FI-VI0750
10	* SP-04-0239	PARA: FI-VI0500
10	* SP-04-0240	PARA: FI-VI0600
10	* SP-04-0266	PARA: FI-VI0750
11	* SP-04-0149	PARA: FI-VI0500 [4UT]
11	* SP-04-0147	PARA: FI-VI0600 [4UT]
11	* SP-04-0150	PARA: FI-VI0750 [6UT]
12	* SP-04-0152	PARA: FI-VI0500
12	* SP-04-0153	PARA: FI-VI0600
12	* SP-04-0154	PARA: FI-VI0750
13	* SP-04-0267	PARA: FI-VI0500
13	* SP-04-0268	PARA: FI-VI0600
13	* SP-04-0269	PARA: FI-VI0750
14	* SP-04-0270	PARA: FI-VI0500
14	* SP-04-0271	PARA: FI-VI0600
14	* SP-04-0272	PARA: FI-VI0750
15	* SP-04-0180	PARA: FI-VI0500, FI-VI0600
15	* SP-04-0181	PARA: FI-VI0750
16	* SP-04-0273	PARA: FI-VI0500
16	* SP-04-0184	PARA: FI-VI0600
16	* SP-04-0275	PARA: FI-VI0750