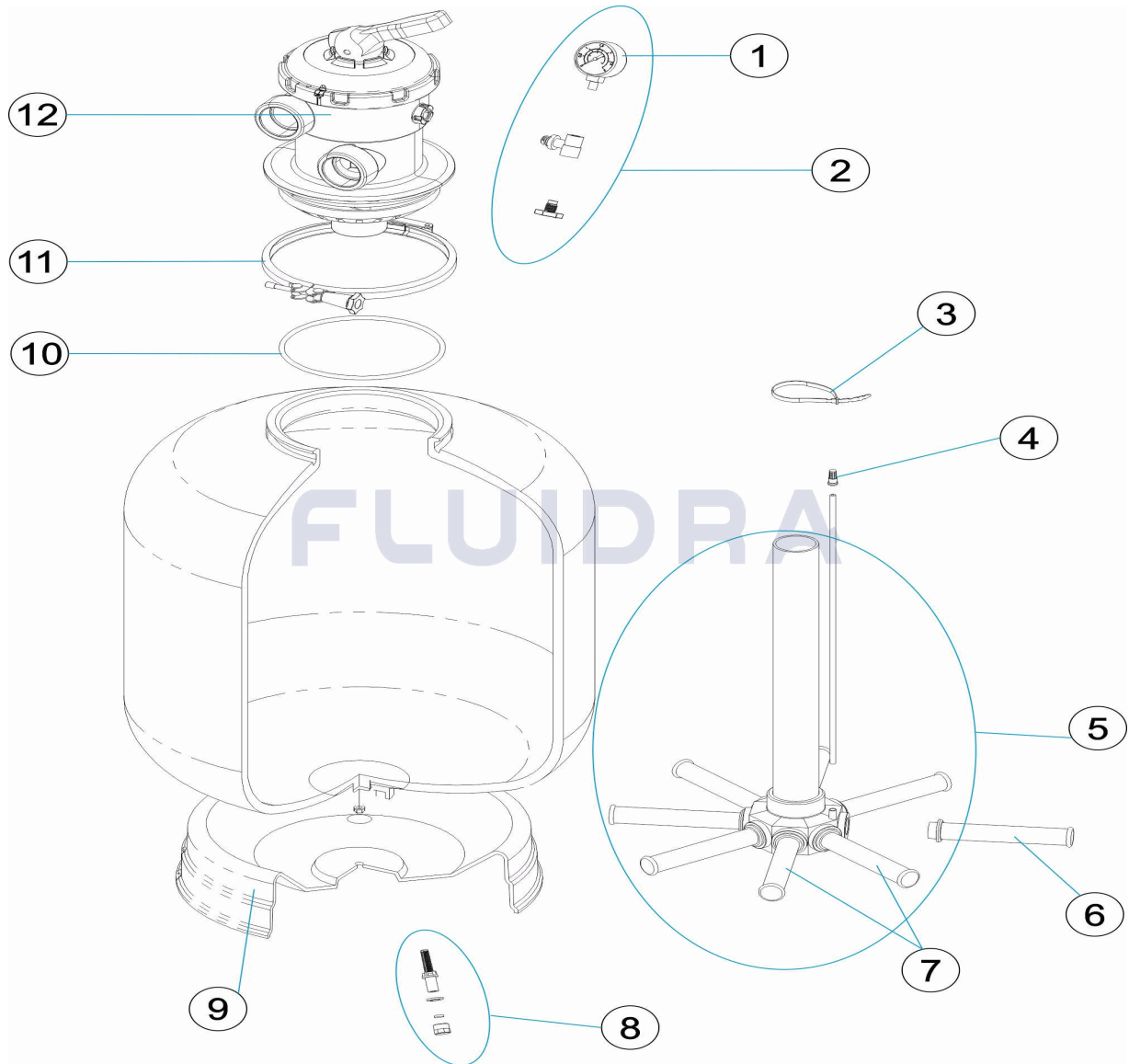


CODIGO **PS-5301, PS-5302, PS-5303**

 DESCRIPCION: **FILTRO CORINTO VALVULA TOP**

ESPAÑOL

POS	CODIGO	DESCRIPCION	CANTIDAD	POS	CODIGO	DESCRIPCION	CANTIDAD
1	SP-04-0096	MANOMETRO 1/8" 3 KG/C "		7	* SP-04-0151	CJTO. BRAZOS COLECTOR D. 400	
2	SP-04-0097	MANOMETRO COMPLETO		7	* SP-04-0152	CJTO. BRAZOS COLECTOR	
3	SP-04-0128	BRIDA		7	* SP-04-0153	CJTO. BRAZOS COLECTOR D. 650	
4	SP-04-0129	PURGA AIRE		8	SP-04-0118	PURGA ARENA	
5	* SP-04-0234	CJTO. COLECTOR D. 400 TOP		9	* SP-04-0259	PIE FILTRO D. 400	
5	* SP-04-0235	CJTO. COLECTOR D. 500 TOP		9	* SP-04-0260	PIE FILTRO D.500	
5	* SP-04-0236	CJTO. COLECTOR D. 600 TOP		9	* SP-04-0261	PIE FILTRO D.480/560	
6	* SP-04-0148	BRAZO COLECTOR 1" 110 M "		10	SP-04-0074	JUNTA TORICA TAPA	
6	* SP-04-0149	BRAZO COLECTOR 1" 175 M "		11	SP-04-0241	ANILLO CIERRE 203 NEGRO	
6	* SP-04-0147	BRAZO COLECTOR 1" 225 M "		12	PS-6405	VALVULA SELECTORA 1 ½" TOP	



KIT

REV: 0

9146

FECHA: 31/05/2022

HOJA: 2/2

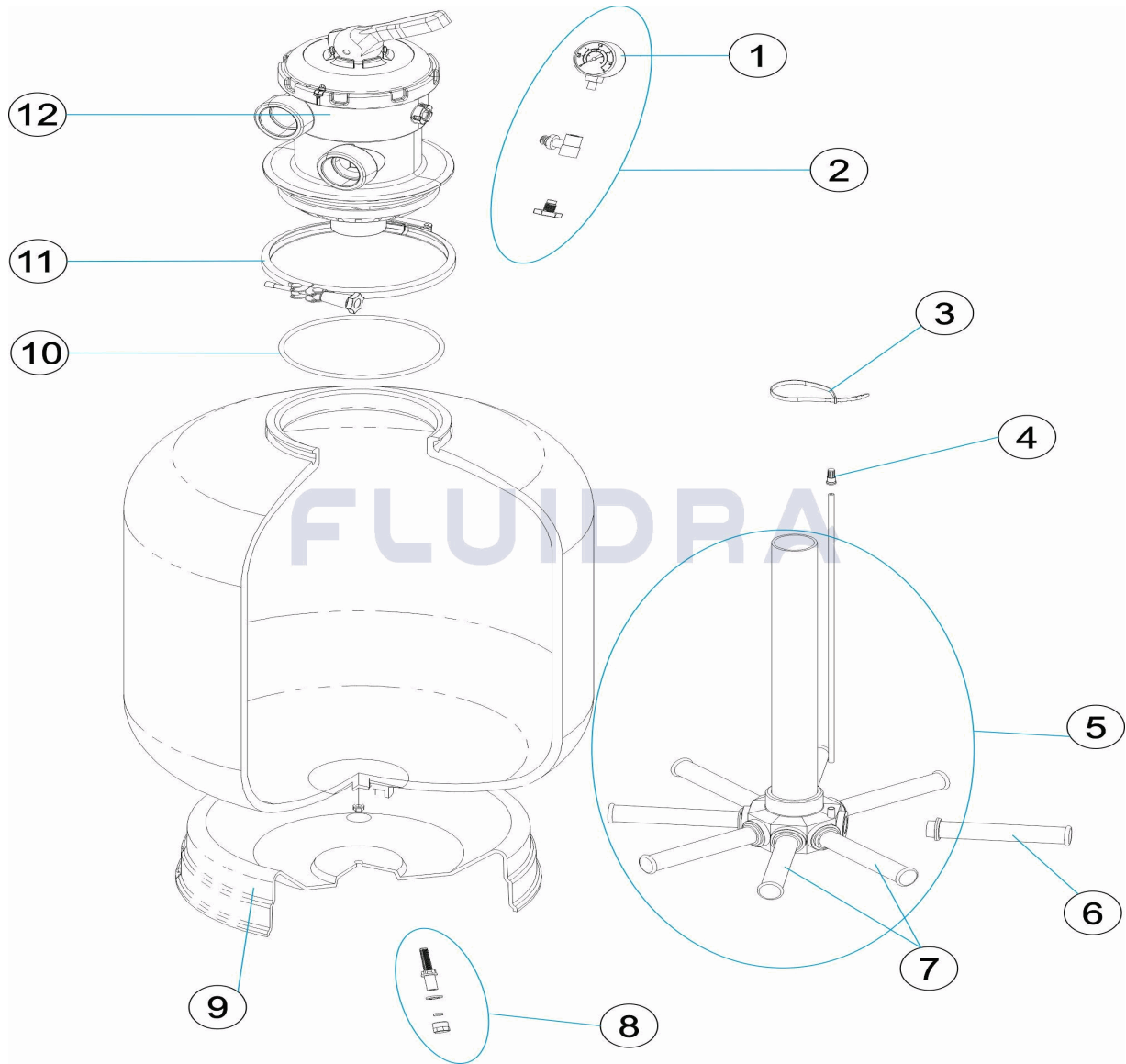
CODIGO **PS-5301, PS-5302, PS-5303**DESCRIPCION: **FILTRO CORINTO VALVULA TOP**

OBSERVACIONES

POS	CODIGO	OBSERVACIONES
5	* SP-04-0234	PARA: PS-5301
5	* SP-04-0235	PARA: PS-5302
5	* SP-04-0236	PARA: PS-5303
6	* SP-04-0148	PARA: PS-5301
6	* SP-04-0149	PARA: PS-5302
6	* SP-04-0147	PARA: PS-5303
7	* SP-04-0151	PARA: PS-5301
7	* SP-04-0152	PARA: PS-5302
7	* SP-04-0153	PARA: PS-5303
9	* SP-04-0259	PARA: PS-5301
9	* SP-04-0260	PARA: PS-5302
9	* SP-04-0261	PARA: PS-5303

CODE PS-5301, PS-5302, PS-5303

DESCRIPTION: FILTRE CORINTO VANNE TOP


FRANCAIS

POS	CODE	DESCRIPTION	QUANTITE	POS	CODE	DESCRIPTION	QUANTITE
1	SP-04-0096	MANOMETRE 1/8" 3 KG./C "		7	* SP-04-0151	ENSEMBLE BRAS DE REPARTITEUR D. 400	
2	SP-04-0097	MANOMETRE COMPLET		7	* SP-04-0152	ENSEMBLE BRAS DE REPARTITEUR	
3	SP-04-0128	BRIDE		7	* SP-04-0153	ENSEMBLE BRAS DE REPARTITEUR D. 650	
4	SP-04-0129	PURGE D'AIR		8	SP-04-0118	PURGE SABLE	
5	* SP-04-0234	ENSEMBLE COLLECTEUR D. 400 TOP		9	* SP-04-0259	SOCLE FILTRE D 400	
5	* SP-04-0235	ENSEMBLE COLLECTEUR D. 500 TOP		9	* SP-04-0260	SOCLE FILTRE D. 500	
5	* SP-04-0236	ENSEMBLE COLLECTEUR D. 600 TOP		9	* SP-04-0261	SOCLE FILTRE D 480/560	
6	* SP-04-0148	BRAS DE REPARTITEUR 1" 110 M "		10	SP-04-0074	JOINT TORIQUE COUVERCLE	
6	* SP-04-0149	BRAS DE REPARTITEUR 1" 175 M "		11	SP-04-0241	COLLIER DE FERMETURE 203 NOIR	
6	* SP-04-0147	BRAS DE REPARTITEUR 1" 225 M "		12	PS-6405	SÉLECTEUR 1 ½" TOP	



ÉCLATÉ

REV.: 0
DATE: 31/05/2022
PAG.: 2/2

9146

CODE **PS-5301, PS-5302, PS-5303**

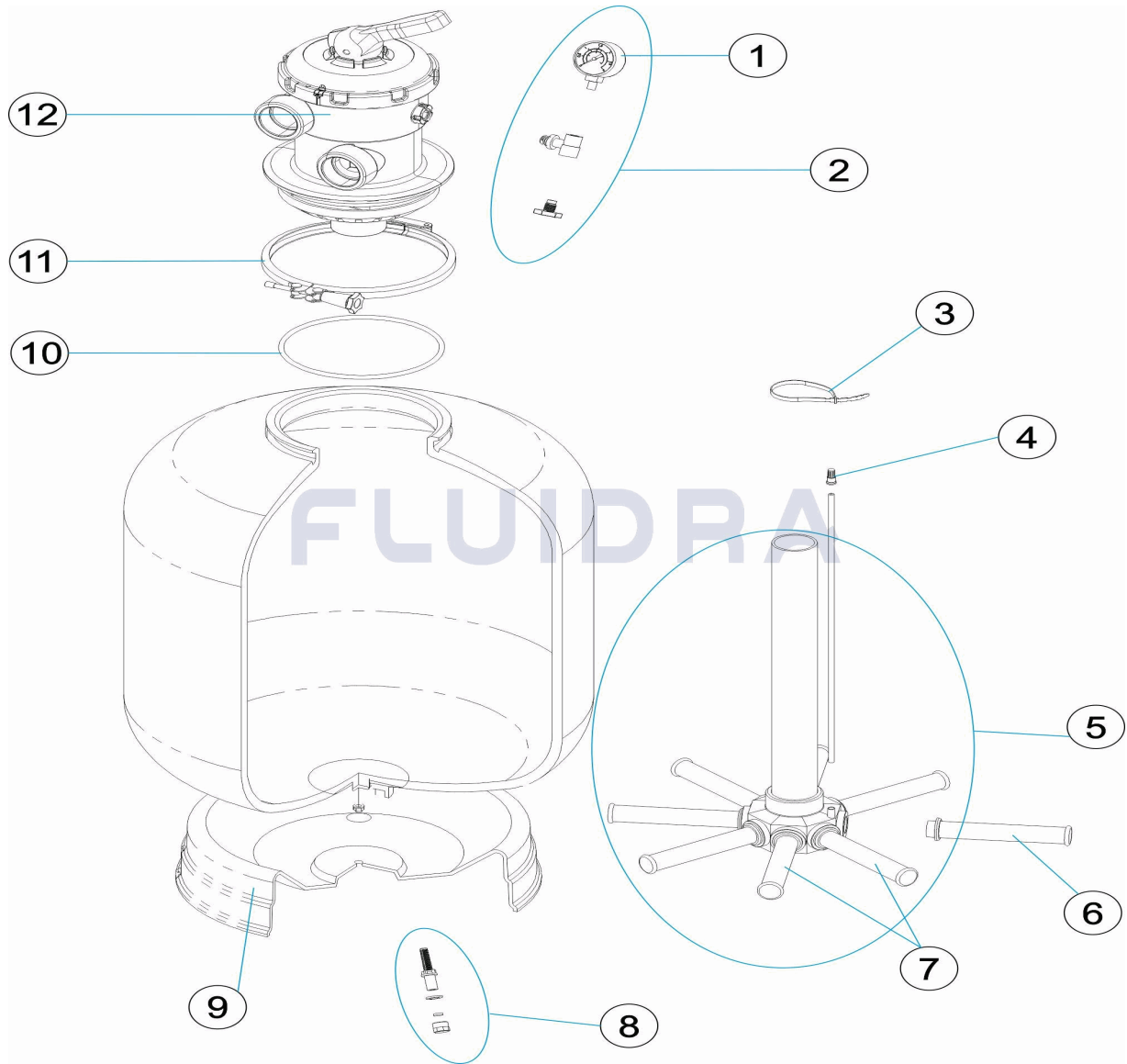
DESCRIPTION: **FILTRE CORINTO VANNE TOP**

OBSERVATIONS

POS	CODE	OBSERVATIONS
5	* SP-04-0234	POUR: PS-5301
5	* SP-04-0235	POUR: PS-5302
5	* SP-04-0236	POUR: PS-5303
6	* SP-04-0148	POUR: PS-5301
6	* SP-04-0149	POUR: PS-5302
6	* SP-04-0147	POUR: PS-5303
7	* SP-04-0151	POUR: PS-5301
7	* SP-04-0152	POUR: PS-5302
7	* SP-04-0153	POUR: PS-5303
9	* SP-04-0259	POUR: PS-5301
9	* SP-04-0260	POUR: PS-5302
9	* SP-04-0261	POUR: PS-5303

CODE PS-5301, PS-5302, PS-5303

DESCRIPTION: CORINTO FILTER VALVE TOP



ENGLISH

POS	CODE	DESCRIPTION	QUANTITY	POS	CODE	DESCRIPTION	QUANTITY
1	SP-04-0096	PRESSURE GAUGE 1/8" 3 KG./C "		7	* SP-04-0151	MANIFOLD ARM ASSEMBLY D. 400	
2	SP-04-0097	COMPLETE PRESSURE GAUGE UNIT		7	* SP-04-0152	MANIFOLD ARM ASSEMBLY	
3	SP-04-0128	FLANGE		7	* SP-04-0153	MANIFOLD ARM ASSEMBLY D. 650	
4	SP-04-0129	AIR PURGE		8	SP-04-0118	SAND PURGE	
5	* SP-04-0234	MANIFOLD ASSEMBLY D. 400 TOP		9	* SP-04-0259	FILTER BASE D. 400	
5	* SP-04-0235	MANIFOLD ASSEMBLY D. 500 TOP		9	* SP-04-0260	FILTER BASE D. 500	
5	* SP-04-0236	MANIFOLD ASSEMBLY D. 600 TOP		9	* SP-04-0261	FILTER BASE D. 480/560	
6	* SP-04-0148	MANIFOLD ARM 1" 110 M "		10	SP-04-0074	LID 'O' RING	
6	* SP-04-0149	MANIFOLD ARM 1" 175 M "		11	SP-04-0241	BLACK LOCKING FIXTURE 203	
6	* SP-04-0147	MANIFOLD ARM 1" 225 M "		12	PS-6405	MULTIPOINT VALVE 1/2" TOP	



PARTS BREAKDOWN

REV.: 0

9146

DATE: 31/05/2022

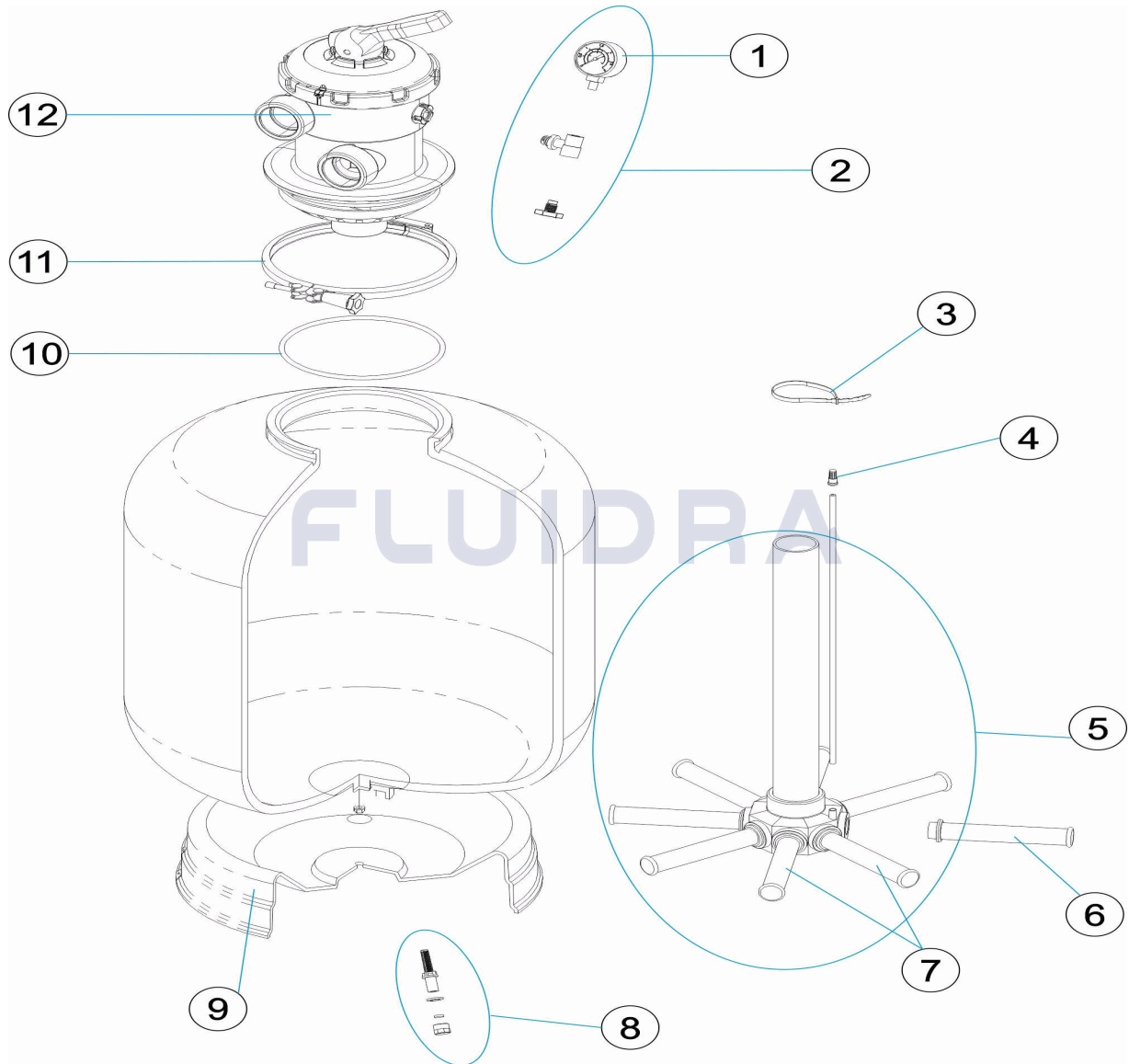
SHEET: 2/2

CODE **PS-5301, PS-5302, PS-5303**DESCRIPTION: **CORINTO FILTER VALVE TOP**

OBSERVATIONS

POS	CODE	OBSERVATIONS
5	* SP-04-0234	FOR: PS-5301
5	* SP-04-0235	FOR: PS-5302
5	* SP-04-0236	FOR: PS-5303
6	* SP-04-0148	FOR: PS-5301
6	* SP-04-0149	FOR: PS-5302
6	* SP-04-0147	FOR: PS-5303
7	* SP-04-0151	FOR: PS-5301
7	* SP-04-0152	FOR: PS-5302
7	* SP-04-0153	FOR: PS-5303
9	* SP-04-0259	FOR: PS-5301
9	* SP-04-0260	FOR: PS-5302
9	* SP-04-0261	FOR: PS-5303

CODICE **PS-5301, PS-5302, PS-5303**

 DESCRIZIONE: **FILTRI CORINTO VALVOLA TOP**

ITALIANO

POS	CODICE	DESCRIZIONE	QUANTITA'	POS	CODICE	DESCRIZIONE	QUANTITA'
1	SP-04-0096	MANOMETRO 1/8" 3 KG./C "		7	* SP-04-0151	GRUPPO CANDELOTTO COLLECTORE D. 4	
2	SP-04-0097	MANOMETRO COMPLETO		7	* SP-04-0152	GRUPPO CANDELOTTO COLLECTORE	
3	SP-04-0128	FLANGIA		7	* SP-04-0153	GRUPPO CANDELOTTO COLLECTORE D. 6	
4	SP-04-0129	SFIATO ARIA		8	SP-04-0118	SCARICO SABBIA	
5	* SP-04-0234	KIT COLLETTORE D. 400 TOP		9	* SP-04-0259	BASE FILTRO D 400	
5	* SP-04-0235	KIT COLLETTORE D. 500 TOP		9	* SP-04-0260	BASE FILTRO D. 500	
5	* SP-04-0236	KIT COLLETTORE D. 600 TOP		9	* SP-04-0261	BASE FILTRO D 480/560	
6	* SP-04-0148	CANDELOTTO COLLECTORE 1" 110 M "		10	SP-04-0074	O-RING COPERCHIO	
6	* SP-04-0149	CANDELOTTO COLLECTORE 1" 175 M "		11	SP-04-0241	ANELLO CHIUSURA 203 NERO	
6	* SP-04-0147	CANDELOTTO COLLECTORE 1" 225 M "		12	PS-6405	VALVOLA SELETRICE 1 1/2" TOP	

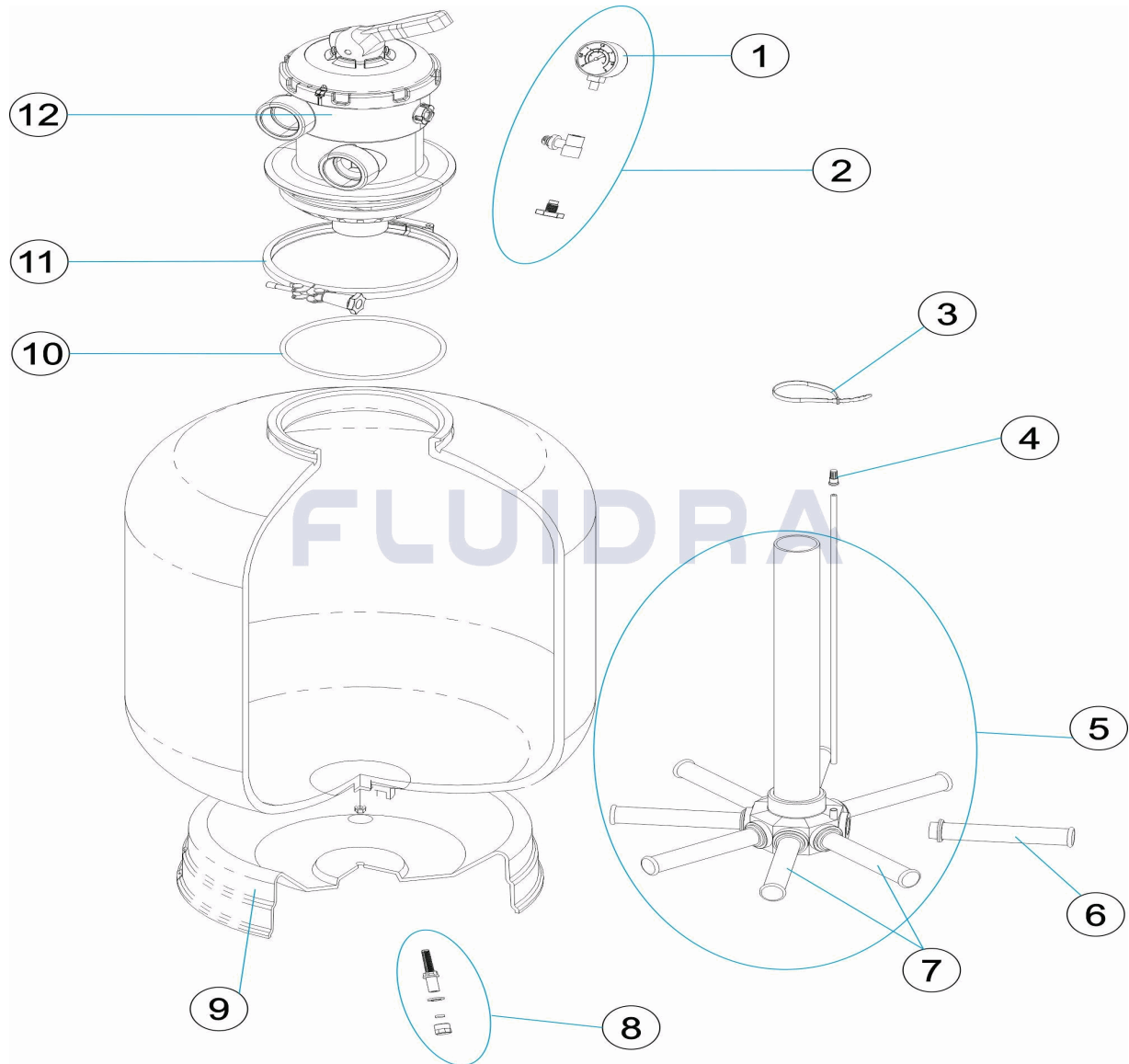
CODICE **PS-5301, PS-5302, PS-5303**

DESCRIZIONE: **FILTRI CORINTO VALVOLA TOP**

OSSERVAZIONI

POS	CODICE	OSSERVAZIONI
5	* SP-04-0234	PER: PS-5301
5	* SP-04-0235	PER: PS-5302
5	* SP-04-0236	PER: PS-5303
6	* SP-04-0148	PER: PS-5301
6	* SP-04-0149	PER: PS-5302
6	* SP-04-0147	PER: PS-5303
7	* SP-04-0151	PER: PS-5301
7	* SP-04-0152	PER: PS-5302
7	* SP-04-0153	PER: PS-5303
9	* SP-04-0259	PER: PS-5301
9	* SP-04-0260	PER: PS-5302
9	* SP-04-0261	PER: PS-5303

CODE **PS-5301, PS-5302, PS-5303**

 BESCHREIBUNG: **FILTER CORINTO VENTIL TOP**

DEUTSCH

POS	CODE	BESCHREIBUNG	MENGE	POS	CODE	BESCHREIBUNG	MENGE
1	SP-04-0096	MANOMETER 1/8" 3 KG/C "		7	* SP-04-0151	SET FILTERSTERN-SCHLITZROHR D. 400	
2	SP-04-0097	MANOMETER KOMPLETT		7	* SP-04-0152	SET FILTERSTERN-SCHLITZROHR	
3	SP-04-0128	FLANSCH		7	* SP-04-0153	SET FILTERSTERN-SCHLITZROHR D. 650	
4	SP-04-0129	ENTLÜFTUNG		8	SP-04-0118	SANDENTLEERUNG	
5	* SP-04-0234	SAMMELROHRSET D. 400 TOP		9	* SP-04-0259	FILTERFUSS D. 400	
5	* SP-04-0235	SAMMELROHRSET D. 500 TOP		9	* SP-04-0260	FILTERFUSS D. 500	
5	* SP-04-0236	SAMMELROHRSET D. 600 TOP		9	* SP-04-0261	FILTERFUSS D. 480/560	
6	* SP-04-0148	FILTERSTERN-SCHLITZROHR 1" 110 M "		10	SP-04-0074	O-RING ABDECKUNG	
6	* SP-04-0149	FILTERSTERN-SCHLITZROHR 1" 175 M "		11	SP-04-0241	SCHLIESSRING 203 SCHWARZ	
6	* SP-04-0147	FILTERSTERN-SCHLITZROHR 1" 225 M "		12	PS-6405	MEHRWEGVENTIL 1 1/2" TOP	



EINZELTEILE

ÜBER.: 0

9146

DATUM: 31/05/2022

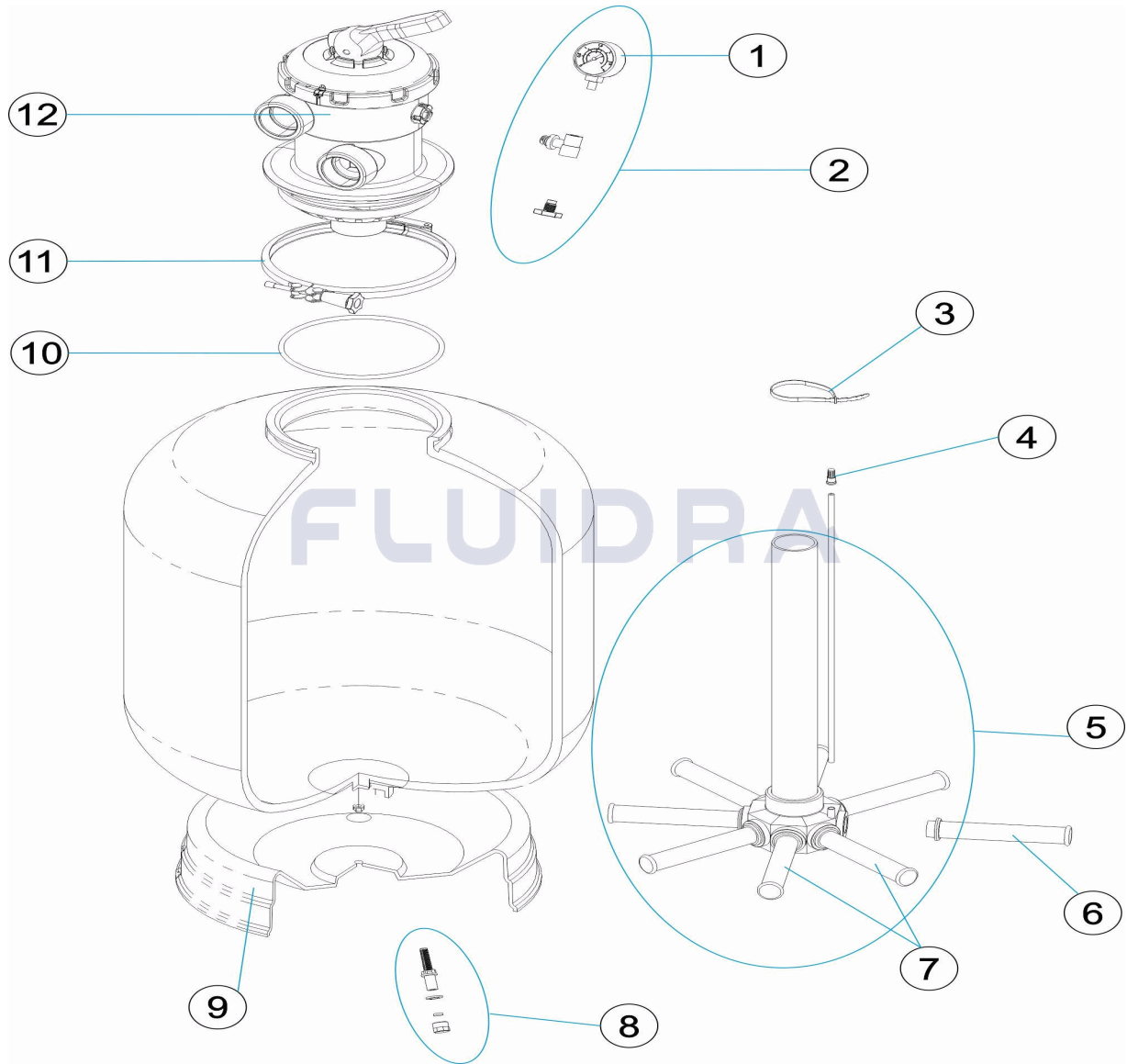
BLATT: 2/2

CODE **PS-5301, PS-5302, PS-5303**BESCHREIBUNG: **FILTER CORINTO VENTIL TOP**

HINWEISE

POS	CODE	HINWEISE
5	* SP-04-0234	FÜR: PS-5301
5	* SP-04-0235	FÜR: PS-5302
5	* SP-04-0236	FÜR: PS-5303
6	* SP-04-0148	FÜR: PS-5301
6	* SP-04-0149	FÜR: PS-5302
6	* SP-04-0147	FÜR: PS-5303
7	* SP-04-0151	FÜR: PS-5301
7	* SP-04-0152	FÜR: PS-5302
7	* SP-04-0153	FÜR: PS-5303
9	* SP-04-0259	FÜR: PS-5301
9	* SP-04-0260	FÜR: PS-5302
9	* SP-04-0261	FÜR: PS-5303

CODIGO **PS-5301, PS-5302, PS-5303**

 DESCRIÇÃO: **FILTRO CORINTO VÁLVULA TOP**


PORTUGUES

POS	CODIGO	DESCRIÇÃO	JANTIDADE	POS	CODIGO	DESCRIÇÃO	JANTIDADE
1	SP-04-0096	MANOMETRO 1/8" 3 KG./C "		7	* SP-04-0151	CJTO. BRAÇO COLECTOR D. 400	
2	SP-04-0097	MANÓMETRO COMPLETO		7	* SP-04-0152	CJTO. BRAÇO COLECTOR	
3	SP-04-0128	FLANGE		7	* SP-04-0153	CJTO. BRAÇO COLECTOR D.650	
4	SP-04-0129	PURGA AREIA		8	SP-04-0118	PURGA AREIA	
5	* SP-04-0234	CJTO. COLECTOR D. 400 TOP		9	* SP-04-0259	PÉ FILTRO D 400	
5	* SP-04-0235	CJTO. COLECTOR D. 500 TOP		9	* SP-04-0260	PÉ FILTRO D. 500	
5	* SP-04-0236	CJTO. COLECTOR D. 600 TOP		9	* SP-04-0261	PÉ FILTRO D 480/560	
6	* SP-04-0148	BRAÇO COLECTOR 1" 110 M "		10	SP-04-0074	JUNTA TÓRICA TAMPA	
6	* SP-04-0149	BRAÇO COLECTOR 1" 175 M "		11	SP-04-0241	FECHO COMPLETO	
6	* SP-04-0147	BRAÇO COLECTOR 1" 225 M "		12	PS-6405	VÁLVULA SELECTORA 1 ½" TOP	



ITEM

REV.: 0

9146

DATA: 31/05/2022

FOLHA: 2/2

CODIGO **PS-5301, PS-5302, PS-5303**DESCRIÇÃO: **FILTRO CORINTO VÁLVULA TOP**

OBSERVAÇÕES

POS	CODIGO	OBSERVAÇÕES
5	* SP-04-0234	PARA: PS-5301
5	* SP-04-0235	PARA: PS-5302
5	* SP-04-0236	PARA: PS-5303
6	* SP-04-0148	PARA: PS-5301
6	* SP-04-0149	PARA: PS-5302
6	* SP-04-0147	PARA: PS-5303
7	* SP-04-0151	PARA: PS-5301
7	* SP-04-0152	PARA: PS-5302
7	* SP-04-0153	PARA: PS-5303
9	* SP-04-0259	PARA: PS-5301
9	* SP-04-0260	PARA: PS-5302
9	* SP-04-0261	PARA: PS-5303