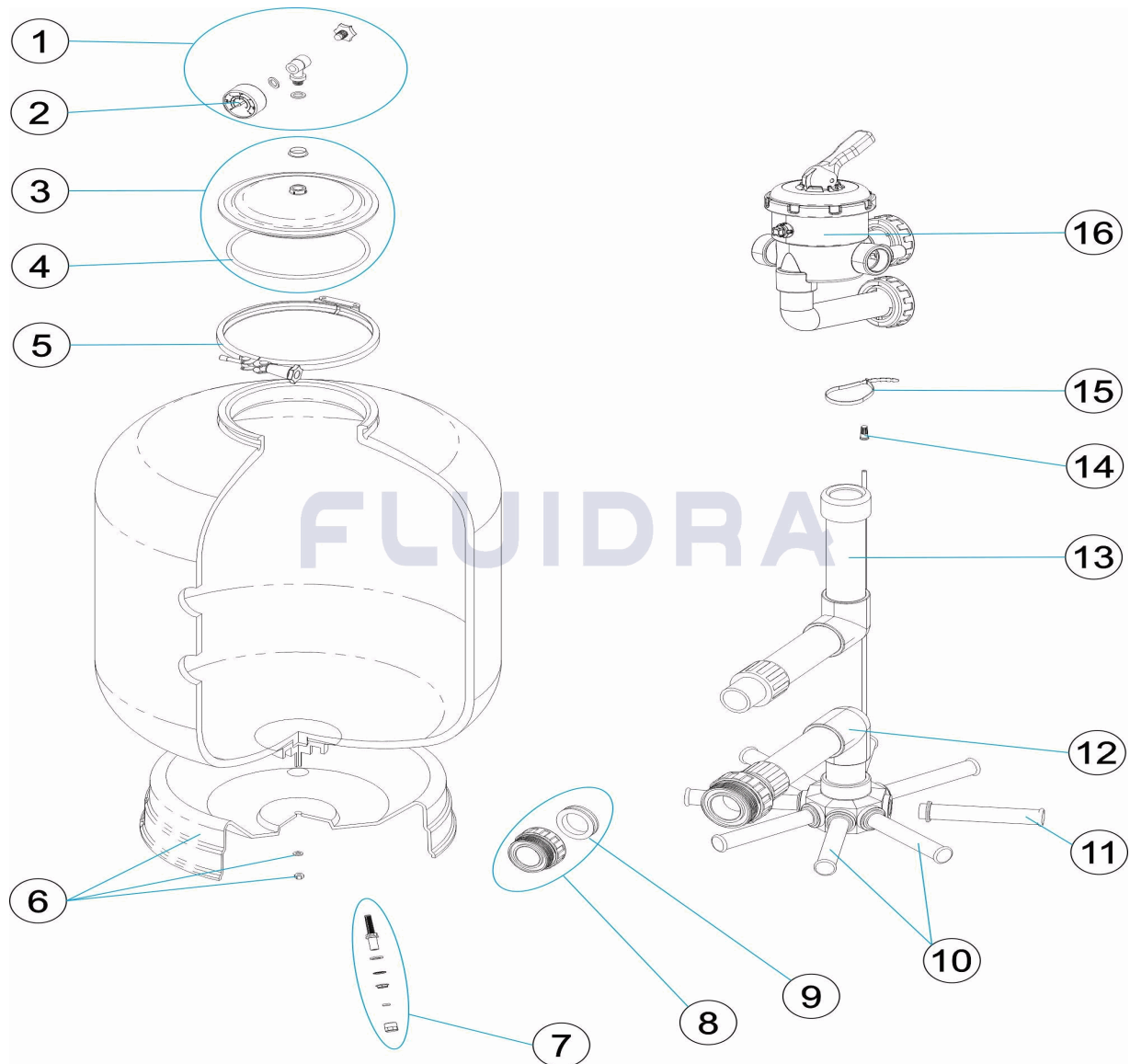


CODIGO **VRN-400-L, VRN-400-VL, VRN-500-L, VRN-500-VL, VRN-600-L, VRN-600-VL**

DESCRIPCION: **FILTRO VERONA D.400-500-600**



ESPAÑOL

POS	CODIGO	DESCRIPCION	CANTIDAD	POS	CODIGO	DESCRIPCION	CANTIDAD
1	SP-04-0071	MANOMETRO COMPLETO		10	* SP-04-0153	CJTO. BRAZOS COLECTOR D. 650	
2	SP-04-0072	MANOMETRO 1/8" 3 KG/C "		11	* SP-04-0148	BRAZO COLECTOR 1" 110 M "	
3	SP-04-0073	TAPA TRANSPARENTE D. 173 + JUNTA		11	* SP-04-0149	BRAZO COLECTOR 1" 175 M "	
4	SP-04-0074	JUNTA TORICA TAPA		11	* SP-04-0147	BRAZO COLECTOR 1" 225 M "	
5	SP-04-0241	ANILLO CIERRE 203 NEGRO		12	* SP-04-0242	CJTO. COLECTOR D. 400	
6	* SP-04-0238	PIE FILTRO D. 400		12	* SP-04-0243	CJTO. COLECTOR D. 500	
6	* SP-04-0239	PIE FILTRO D. 500		12	* SP-04-0244	CJTO. COLECTOR D. 600	
6	* SP-04-0240	PIE FILTRO D. 600		13	* SP-04-0245	CJTO. DIFUSOR D. 400	
7	SP-04-0237	CREPINA PURGA 3/8'		13	* SP-04-0246	CJTO. DIFUSOR D. 500	
8	SP-04-0015	RACORD 1 1/2' + JUNTA CONCAVA		13	* SP-04-0247	CJTO. DIFUSOR D. 600	
9	SP-04-0016	JUNTA CONCAVA 1 1/2"		14	SP-04-0129	PURGA AIRE	
10	* SP-04-0151	CJTO. BRAZOS COLECTOR D. 400		15	SP-04-0128	BRIDA	



KIT

REV: 0

9140

FECHA: 31/05/2022

HOJA: 2/3

CODIGO **VRN-400-L, VRN-400-VL, VRN-500-L, VRN-500-VL, VRN-600-L,
VRN-600-VL**

DESCRIPCION: **FILTRO VERONA D.400-500-600**

10	* SP-04-0152	CJTO. BRAZOS COLECTOR	16	* PS-6103	VALVULA SELECTORA 1 1/2"
----	--------------	-----------------------	----	-----------	--------------------------



KIT

REV: 0

9140

FECHA: 31/05/2022

HOJA: 3/3

CODIGO **VRN-400-L, VRN-400-VL, VRN-500-L, VRN-500-VL, VRN-600-L,
VRN-600-VL**

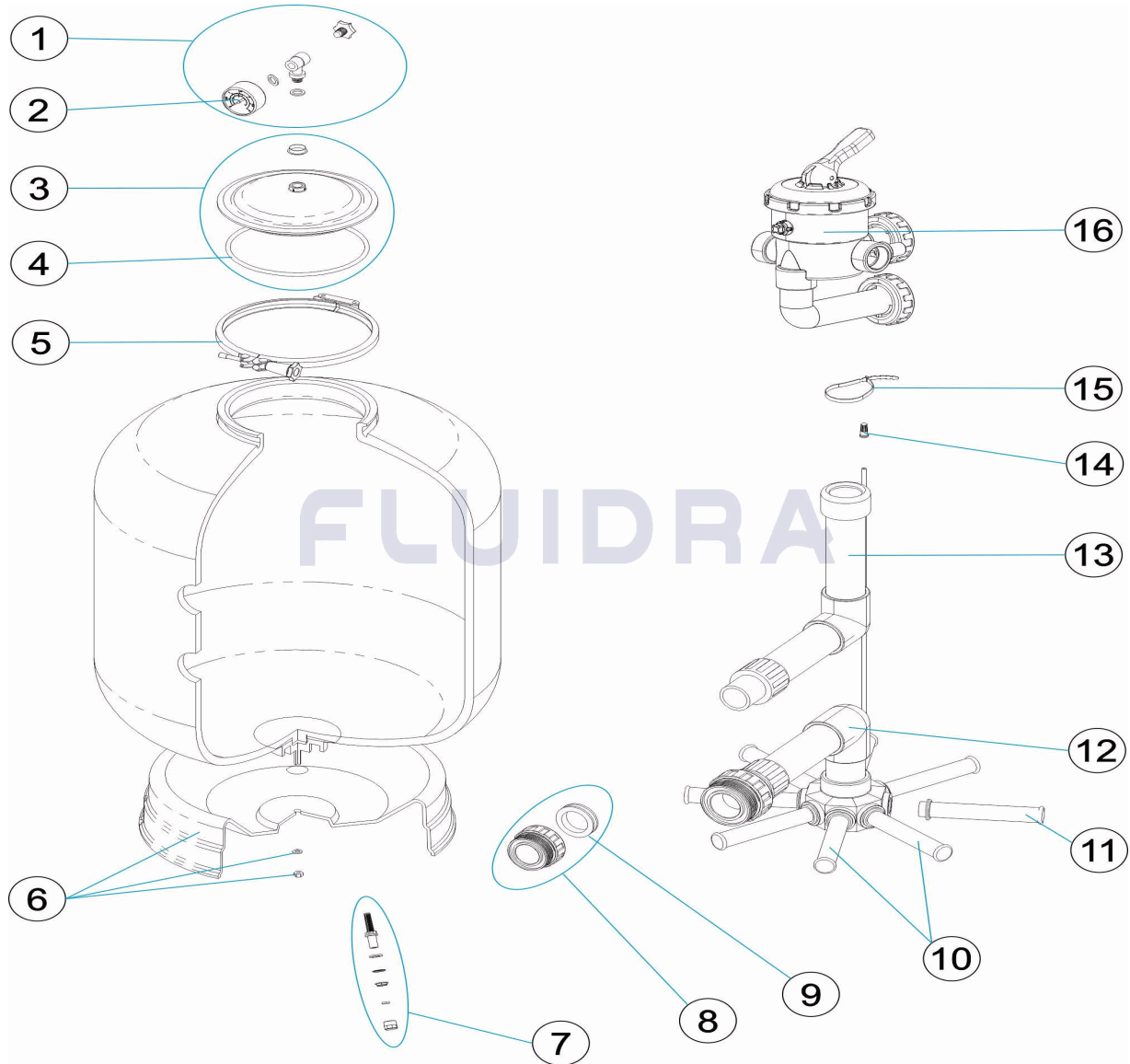
DESCRIPCION: FILTRO VERONA D.400-500-600

OBSERVACIONES

POS	CODIGO	OBSERVACIONES
6	* SP-04-0238	PARA: VRN-400-VL, VRN-400-L
6	* SP-04-0239	PARA: VRN-500-VL, VRN-500-L
6	* SP-04-0240	PARA: VRN-600-VL, VRN-600-L
10	* SP-04-0151	PARA: VRN-400-VL, VRN-400-L
10	* SP-04-0152	PARA: VRN-500-VL, VRN-500-L
10	* SP-04-0153	PARA: VRN-600-VL, VRN-600-L
11	* SP-04-0148	PARA: VRN-400-VL, VRN-400-L
11	* SP-04-0149	PARA: VRN-500-VL, VRN-500-L
11	* SP-04-0147	PARA: VRN-600-VL, VRN-600-L
12	* SP-04-0242	PARA: VRN-400-VL, VRN-400-L
12	* SP-04-0243	PARA: VRN-500-VL, VRN-500-L
12	* SP-04-0244	PARA: VRN-600-VL, VRN-600-L
13	* SP-04-0245	PARA: VRN-400-VL, VRN-400-L
13	* SP-04-0246	PARA: VRN-500-VL, VRN-500-L
13	* SP-04-0247	PARA: VRN-600-VL, VRN-600-L
16	* PS-6103	PARA: VRN-400-VL, VRN-500-VL, VRN-600-VL

CODE **VRN-400-L, VRN-400-VL, VRN-500-L, VRN-500-VL, VRN-600-L, VRN-600-VL**

DESCRIPTION: **FILTRE VERONA D.400-500-600**



FRANCAIS

POS	CODE	DESCRIPTION	QUANTITE	POS	CODE	DESCRIPTION	QUANTITE
1	SP-04-0071	MANOMETRE COMPLET		10	* SP-04-0153	ENSEMBLE BRAS DE REPARTITEUR D. 650	
2	SP-04-0072	MANOMETRE 1/8" 3 KG./C "		11	* SP-04-0148	BRAS DE REPARTITEUR 1" 110 M "	
3	SP-04-0073	COUVERCLE TRANSPARENT D.173 + JOIN'		11	* SP-04-0149	BRAS DE REPARTITEUR 1" 175 M "	
4	SP-04-0074	JOINT TORIQUE COUVERCLE		11	* SP-04-0147	BRAS DE REPARTITEUR 1" 225 M "	
5	SP-04-0241	COLLIER DE FERMETURE 203 NOIR		12	* SP-04-0242	ENSEMBLE COLLECTEUR D. 400	
6	* SP-04-0238	SOCLE FILTRE D 400		12	* SP-04-0243	ENSEMBLE COLLECTEUR D. 500	
6	* SP-04-0239	SOCLE FILTRE D 500		12	* SP-04-0244	ENSEMBLE COLLECTEUR D. 600	
6	* SP-04-0240	SOCLE FILTRE D 600		13	* SP-04-0245	ENSEMBLE DIFFUSEUR D. 400	
7	SP-04-0237	CREPINE DE PURGE 3/8'		13	* SP-04-0246	ENSEMBLE DIFFUSEUR D. 500	
8	SP-04-0015	RACCORD 1 1/2' + JOINT CONCAVE		13	* SP-04-0247	ENSEMBLE DIFFUSEUR D. 600	
9	SP-04-0016	JOINT CONCAVE 1 1/2"		14	SP-04-0129	PURGE D'AIR	
10	* SP-04-0151	ENSEMBLE BRAS DE REPARTITEUR D. 400		15	SP-04-0128	BRIDE	



ÉCLATÉ

REV.: 0

9140

DATE: 31/05/2022

PAG.: 2/3

CODE **VRN-400-L, VRN-400-VL, VRN-500-L, VRN-500-VL, VRN-600-L,
VRN-600-VL**

DESCRIPTION: **FILTRE VERONA D.400-500-600**

¹⁰	* SP-04-0152	ENSEMBLE BRAS DE REPARTITEUR	¹⁶	* PS-6103	SÉLECTEUR 1 ½"
---------------	--------------	------------------------------	---------------	-----------	----------------



ÉCLATÉ

REV.: 0

9140

DATE: 31/05/2022

PAG.: 3/3

CODE **VRN-400-L, VRN-400-VL, VRN-500-L, VRN-500-VL, VRN-600-L,
VRN-600-VL**

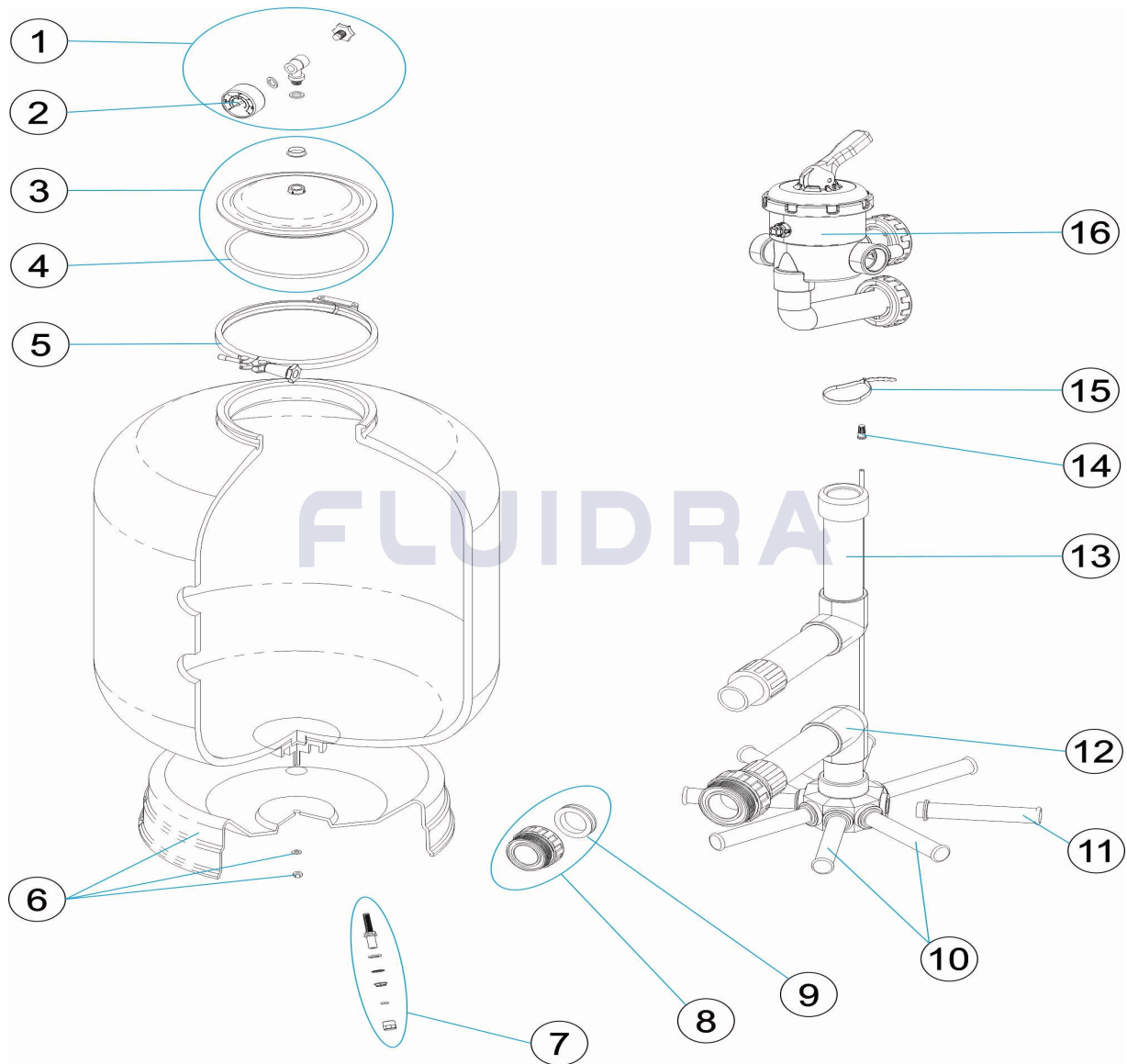
DESCRIPTION: **FILTRE VERONA D.400-500-600**

OBSERVATIONS

POS	CODE	OBSERVATIONS
6	* SP-04-0238	POUR: VRN-400-VL, VRN-400-L
6	* SP-04-0239	POUR: VRN-500-VL, VRN-500-L
6	* SP-04-0240	POUR: VRN-600-VL, VRN-600-L
10	* SP-04-0151	POUR: VRN-400-VL, VRN-400-L
10	* SP-04-0152	POUR: VRN-500-VL, VRN-500-L
10	* SP-04-0153	POUR: VRN-600-VL, VRN-600-L
11	* SP-04-0148	POUR: VRN-400-VL, VRN-400-L
11	* SP-04-0149	POUR: VRN-500-VL, VRN-500-L
11	* SP-04-0147	POUR: VRN-600-VL, VRN-600-L
12	* SP-04-0242	POUR: VRN-400-VL, VRN-400-L
12	* SP-04-0243	POUR: VRN-500-VL, VRN-500-L
12	* SP-04-0244	POUR: VRN-600-VL, VRN-600-L
13	* SP-04-0245	POUR: VRN-400-VL, VRN-400-L
13	* SP-04-0246	POUR: VRN-500-VL, VRN-500-L
13	* SP-04-0247	POUR: VRN-600-VL, VRN-600-L
16	* PS-6103	POUR: VRN-400-VL, VRN-500-VL, VRN-600-VL

CODE **VRN-400-L, VRN-400-VL, VRN-500-L, VRN-500-VL, VRN-600-L, VRN-600-VL**

DESCRIPTION: **VERONA FILTER D.400-500-600**



ENGLISH

POS	CODE	DESCRIPTION	QUANTITY	POS	CODE	DESCRIPTION	QUANTITY
1	SP-04-0071	COMPLETE PRESSURE GAUGE UNIT		10	* SP-04-0153	MANIFOLD ARM ASSEMBLY D. 650	
2	SP-04-0072	PRESSURE GAUGE 1/8" 3 KG./C "		11	* SP-04-0148	MANIFOLD ARM 1" 110 M "	
3	SP-04-0073	TRANSPARENT LID D.173 + 'O' RING		11	* SP-04-0149	MANIFOLD ARM 1" 175 M "	
4	SP-04-0074	LID 'O' RING		11	* SP-04-0147	MANIFOLD ARM 1" 225 M "	
5	SP-04-0241	BLACK LOCKING FIXTURE 203		12	* SP-04-0242	MANIFOLD ASSEMBLY D. 400	
6	* SP-04-0238	FILTER BASE D. 400		12	* SP-04-0243	MANIFOLD ASSEMBLY D. 500	
6	* SP-04-0239	FILTER BASE D. 500		12	* SP-04-0244	MANIFOLD ASSEMBLY D. 600	
6	* SP-04-0240	FILTER BASE D. 600		13	* SP-04-0245	DIFFUSER ASSEMBLY D. 400	
7	SP-04-0237	DRAINAGE STRAINER NOZZLE 3/8'		13	* SP-04-0246	DIFFUSER ASSEMBLY D. 500	
8	SP-04-0015	1 1/2' FITTING + CONCAVE GASKET		13	* SP-04-0247	DIFFUSER ASSEMBLY D. 600	
9	SP-04-0016	CONCAVE GASKET 1 1/2"		14	SP-04-0129	AIR PURGE	
10	* SP-04-0151	MANIFOLD ARM ASSEMBLY D. 400		15	SP-04-0128	FLANGE	



PARTS BREAKDOWN

REV.: 0

9140

DATE: 31/05/2022

SHEET: 2/3

CODE **VRN-400-L, VRN-400-VL, VRN-500-L, VRN-500-VL, VRN-600-L,
VRN-600-VL**

DESCRIPTION: **VERONA FILTER D.400-500-600**

10	* SP-04-0152	MANIFOLD ARM ASSEMBLY	16	* PS-6103	MULTIPOINT VALVE 1 ½"
----	--------------	-----------------------	----	-----------	-----------------------



PARTS BREAKDOWN

REV.: 0

9140

DATE: 31/05/2022

SHEET: 3/3

CODE **VRN-400-L, VRN-400-VL, VRN-500-L, VRN-500-VL, VRN-600-L,
VRN-600-VL**

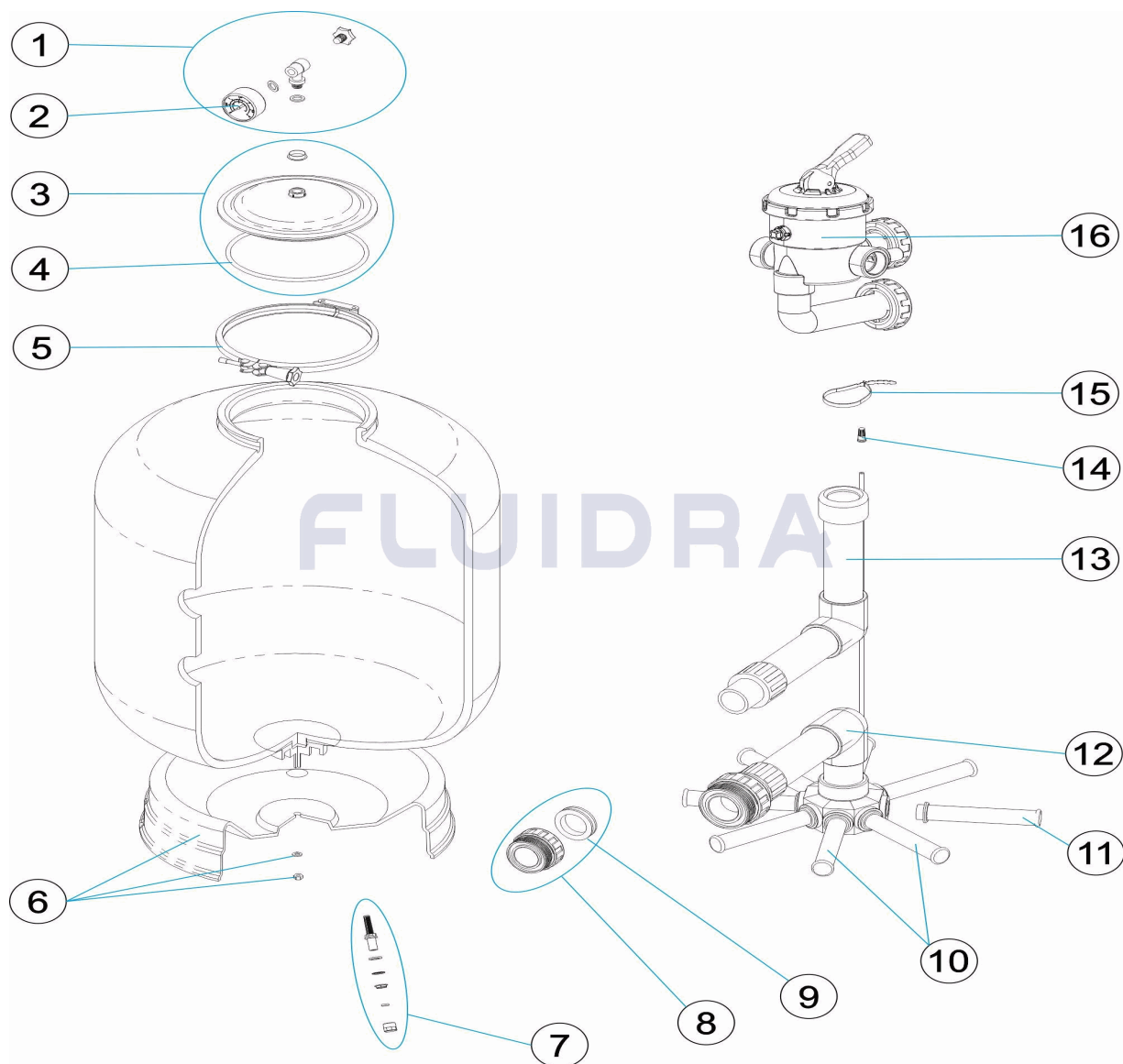
DESCRIPTION: **VERONA FILTER D.400-500-600**

OBSERVATIONS

POS	CODE	OBSERVATIONS
6	* SP-04-0238	FOR: VRN-400-VL, VRN-400-L
6	* SP-04-0239	FOR: VRN-500-VL, VRN-500-L
6	* SP-04-0240	FOR: VRN-600-VL, VRN-600-L
10	* SP-04-0151	FOR: VRN-400-VL, VRN-400-L
10	* SP-04-0152	FOR: VRN-500-VL, VRN-500-L
10	* SP-04-0153	FOR: VRN-600-VL, VRN-600-L
11	* SP-04-0148	FOR: VRN-400-VL, VRN-400-L
11	* SP-04-0149	FOR: VRN-500-VL, VRN-500-L
11	* SP-04-0147	FOR: VRN-600-VL, VRN-600-L
12	* SP-04-0242	FOR: VRN-400-VL, VRN-400-L
12	* SP-04-0243	FOR: VRN-500-VL, VRN-500-L
12	* SP-04-0244	FOR: VRN-600-VL, VRN-600-L
13	* SP-04-0245	FOR: VRN-400-VL, VRN-400-L
13	* SP-04-0246	FOR: VRN-500-VL, VRN-500-L
13	* SP-04-0247	FOR: VRN-600-VL, VRN-600-L
16	* PS-6103	FOR: VRN-400-VL, VRN-500-VL, VRN-600-VL

CODICE **VRN-400-L, VRN-400-VL, VRN-500-L, VRN-500-VL, VRN-600-L, VRN-600-VL**

DESCRIZIONE: **FILTRI VERONA D.400-500-600**



ITALIANO

POS	CODICE	DESCRIZIONE	QUANTITA'	POS	CODICE	DESCRIZIONE	QUANTITA'
1	SP-04-0071	MANOMETRO COMPLETO		10	* SP-04-0153	GRUPPO CANDELOTTO COLLECTORE D. 6	
2	SP-04-0072	MANOMETRO 1/8" 3 KG./C "		11	* SP-04-0148	CANDELOTTO COLLECTORE 1" 110 M "	
3	SP-04-0073	COPERCHIO TRASPARENTE D.173 + O-R		11	* SP-04-0149	CANDELOTTO COLLECTORE 1" 175 M "	
4	SP-04-0074	O-RING COPERCHIO		11	* SP-04-0147	CANDELOTTO COLLECTORE 1" 225 M "	
5	SP-04-0241	ANELLO CHIUSURA 203 NERO		12	* SP-04-0242	KIT COLLETTORE D. 400	
6	* SP-04-0238	BASE FILTRO D 400		12	* SP-04-0243	KIT COLLETTORE D. 500	
6	* SP-04-0239	BASE FILTRO D 500		12	* SP-04-0244	KIT COLLETTORE D. 600	
6	* SP-04-0240	BASE FILTRO D 600		13	* SP-04-0245	RACCORDO DIFFUSORE D. 400	
7	SP-04-0237	DIFFUSORE SCARICO 3/8"		13	* SP-04-0246	RACCORDO DIFFUSORE D. 500	
8	SP-04-0015	RACCORDO 1 1/2' + GUAR. CONCAVA		13	* SP-04-0247	RACCORDO DIFFUSORE D. 600	
9	SP-04-0016	GUARNIZIONI CONCAVA 1 1/2"		14	SP-04-0129	SFIATO ARIA	
10	* SP-04-0151	GRUPPO CANDELOTTO COLLECTORE D. 4		15	SP-04-0128	FLANGIA	



ESPLOSO

REV.: 0

9140

DATA: 31/05/2022

PAG.: 2/3

CODICE **VRN-400-L, VRN-400-VL, VRN-500-L, VRN-500-VL, VRN-600-L,
VRN-600-VL**

DESCRIZIONE: **FILTRI VERONA D.400-500-600**

¹⁰	* SP-04-0152	GRUPPO CANDELOTTO COLLECTORE	¹⁶	* PS-6103	VALVOLA SELETRICE 1 ½"
---------------	--------------	------------------------------	---------------	-----------	------------------------

CODICE **VRN-400-L, VRN-400-VL, VRN-500-L, VRN-500-VL, VRN-600-L,
VRN-600-VL**

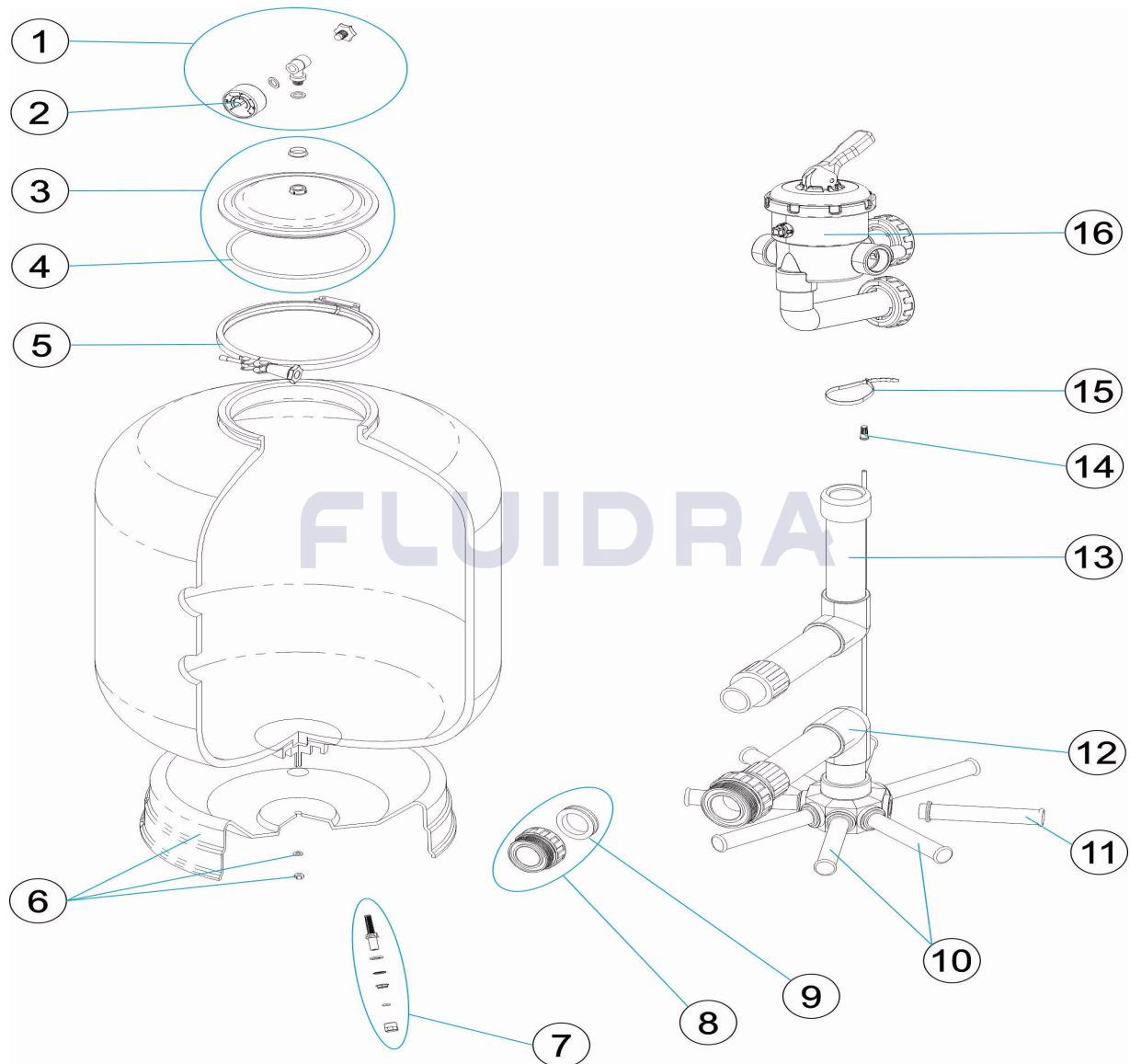
DESCRIZIONE: FILTRI VERONA D.400-500-600

OSSERVAZIONI

POS	CODICE	OSSERVAZIONI
6	* SP-04-0238	PER: VRN-400-VL, VRN-400-L
6	* SP-04-0239	PER: VRN-500-VL, VRN-500-L
6	* SP-04-0240	PER: VRN-600-VL, VRN-600-L
10	* SP-04-0151	PER: VRN-400-VL, VRN-400-L
10	* SP-04-0152	PER: VRN-500-VL, VRN-500-L
10	* SP-04-0153	PER: VRN-600-VL, VRN-600-L
11	* SP-04-0148	PER: VRN-400-VL, VRN-400-L
11	* SP-04-0149	PER: VRN-500-VL, VRN-500-L
11	* SP-04-0147	PER: VRN-600-VL, VRN-600-L
12	* SP-04-0242	PER: VRN-400-VL, VRN-400-L
12	* SP-04-0243	PER: VRN-500-VL, VRN-500-L
12	* SP-04-0244	PER: VRN-600-VL, VRN-600-L
13	* SP-04-0245	PER: VRN-400-VL, VRN-400-L
13	* SP-04-0246	PER: VRN-500-VL, VRN-500-L
13	* SP-04-0247	PER: VRN-600-VL, VRN-600-L
16	* PS-6103	PER: VRN-400-VL, VRN-500-VL, VRN-600-VL

CODE **VRN-400-L, VRN-400-VL, VRN-500-L, VRN-500-VL, VRN-600-L, VRN-600-VL**

BESCHREIBUNG: **FILTER VERONA D.400-500-600**



DEUTSCH

POS	CODE	BESCHREIBUNG	MENGE	POS	CODE	BESCHREIBUNG	MENGE
1	SP-04-0071	MANOMETER KOMPLETT		10	* SP-04-0153	SET FILTERSTERN-SCHLITZROHR D. 650	
2	SP-04-0072	MANOMETER 1/8" 3 KG/C "		11	* SP-04-0148	FILTERSTERN-SCHLITZROHR 1" 110 M "	
3	SP-04-0073	ABDECKUNG TRANSPARENT D. 173 UND L		11	* SP-04-0149	FILTERSTERN-SCHLITZROHR 1" 175 M "	
4	SP-04-0074	O-RING ABDECKUNG		11	* SP-04-0147	FILTERSTERN-SCHLITZROHR 1" 225 M "	
5	SP-04-0241	SCHLIESSRING 203 SCHWARZ		12	* SP-04-0242	SAMMELROHRSET D. 400	
6	* SP-04-0238	FILTERFUSS D. 400		12	* SP-04-0243	SAMMELROHRSET D. 500	
6	* SP-04-0239	FILTERFUSS D. 500		12	* SP-04-0244	SAMMELROHRSET D. 600	
6	* SP-04-0240	FILTERFUSS D. 600		13	* SP-04-0245	SET WASSERVERTEILER D. 400	
7	SP-04-0237	FILTERSTOPFEN ABLASS 3/8"		13	* SP-04-0246	SET WASSERVERTEILER D. 500	
8	SP-04-0015	GEWINDESTÜCK 1 1/2" UND DICHTUNG KC		13	* SP-04-0247	SET WASSERVERTEILER D. 600	
9	SP-04-0016	DICHTUNG KONKAV 1 1/2"		14	SP-04-0129	ENTLÜFTUNG	
10	* SP-04-0151	SET FILTERSTERN-SCHLITZROHR D. 400		15	SP-04-0128	FLANSCH	



EINZELTEILE

ÜBER.: 0

9140

DATUM: 31/05/2022

BLATT: 2/3

CODE **VRN-400-L, VRN-400-VL, VRN-500-L, VRN-500-VL, VRN-600-L,
VRN-600-VL**

BESCHREIBUNG: **FILTER VERONA D.400-500-600**

¹⁰	* SP-04-0152	SET FILTERSTERN-SCHLITZROHR	¹⁶	* PS-6103	MEHRWEGVENTIL 1 ½"
---------------	--------------	-----------------------------	---------------	-----------	--------------------



EINZELTEILE

ÜBER.: 0

9140

DATUM: 31/05/2022

BLATT: 3/3

CODE **VRN-400-L, VRN-400-VL, VRN-500-L, VRN-500-VL, VRN-600-L,
VRN-600-VL**

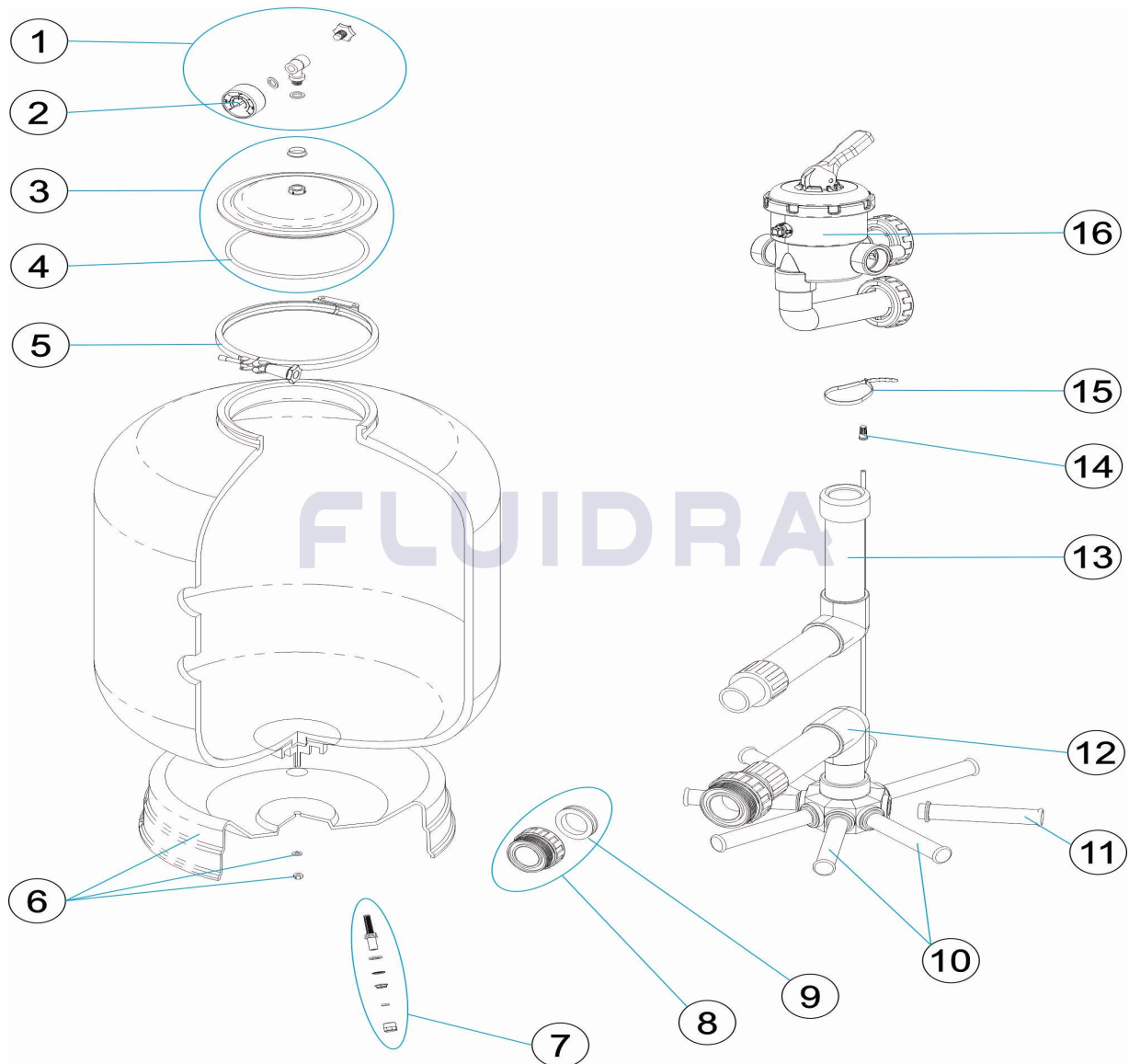
BESCHREIBUNG: **FILTER VERONA D.400-500-600**

HINWEISE

POS	CODE	HINWEISE
6	* SP-04-0238	FÜR: VRN-400-VL, VRN-400-L
6	* SP-04-0239	FÜR: VRN-500-VL, VRN-500-L
6	* SP-04-0240	FÜR: VRN-600-VL, VRN-600-L
10	* SP-04-0151	FÜR: VRN-400-VL, VRN-400-L
10	* SP-04-0152	FÜR: VRN-500-VL, VRN-500-L
10	* SP-04-0153	FÜR: VRN-600-VL, VRN-600-L
11	* SP-04-0148	FÜR: VRN-400-VL, VRN-400-L
11	* SP-04-0149	FÜR: VRN-500-VL, VRN-500-L
11	* SP-04-0147	FÜR: VRN-600-VL, VRN-600-L
12	* SP-04-0242	FÜR: VRN-400-VL, VRN-400-L
12	* SP-04-0243	FÜR: VRN-500-VL, VRN-500-L
12	* SP-04-0244	FÜR: VRN-600-VL, VRN-600-L
13	* SP-04-0245	FÜR: VRN-400-VL, VRN-400-L
13	* SP-04-0246	FÜR: VRN-500-VL, VRN-500-L
13	* SP-04-0247	FÜR: VRN-600-VL, VRN-600-L
16	* PS-6103	FÜR: VRN-400-VL, VRN-500-VL, VRN-600-VL

CODIGO VRN-400-L, VRN-400-VL, VRN-500-L, VRN-500-VL, VRN-600-L, VRN-600-VL

DESCRIÇÃO: FILTRO VERONA D.400-500-600



PORTUGUES

POS	CODIGO	DESCRIÇÃO	JANTIDADE	POS	CODIGO	DESCRIÇÃO	JANTIDADE
1	SP-04-0071	MANÓMETRO COMPLETO		10	* SP-04-0153	CJTO. BRAÇO COLECTOR D.650	
2	SP-04-0072	MANOMETRO 1/8" 3 KG./C "		11	* SP-04-0148	BRAÇO COLECTOR 1" 110 M "	
3	SP-04-0073	TAMPA TRANSPARENTE D.173 + JUNTA		11	* SP-04-0149	BRAÇO COLECTOR 1" 175 M "	
4	SP-04-0074	JUNTA TÓRICA TAMPA		11	* SP-04-0147	BRAÇO COLECTOR 1" 225 M "	
5	SP-04-0241	FECHO COMPLETO		12	* SP-04-0242	CJTO. COLECTOR D. 400	
6	* SP-04-0238	PÉ FILTRO D 400		12	* SP-04-0243	CJTO. COLECTOR D. 500	
6	* SP-04-0239	PÉ FILTRO D 500		12	* SP-04-0244	CJTO. COLECTOR D. 600	
6	* SP-04-0240	PÉ FILTRO D 600		13	* SP-04-0245	CJTO. DIFUSOR D. 400	
7	SP-04-0237	DRENO 3/8"		13	* SP-04-0246	CJTO. DIFUSOR D. 500	
8	SP-04-0015	RACORD 1 1/2' + JUNTA CONCAVA		13	* SP-04-0247	CJTO. DIFUSOR D. 600	
9	SP-04-0016	JUNTA CÓNCAVA 1 1/2"		14	SP-04-0129	PURGA AREIA	
10	* SP-04-0151	CJTO. BRAÇO COLECTOR D. 400		15	SP-04-0128	FLANGE	



ITEM

REV.: 0

9140

DATA: 31/05/2022

FOLHA: 2/3

CODIGO **VRN-400-L, VRN-400-VL, VRN-500-L, VRN-500-VL, VRN-600-L,
VRN-600-VL**

DESCRIÇÃO: **FILTRO VERONA D.400-500-600**

10	* SP-04-0152	CJTO. BRAÇO COLECTOR	16	* PS-6103	VÁLVULA SELECTORA 1 ½"
----	--------------	----------------------	----	-----------	------------------------



ITEM

REV.: 0

9140

DATA: 31/05/2022

FOLHA: 3/3

CODIGO **VRN-400-L, VRN-400-VL, VRN-500-L, VRN-500-VL, VRN-600-L,
VRN-600-VL**

DESCRIÇÃO: FILTRO VERONA D.400-500-600

OBSERVAÇÕES

POS	CODIGO	OBSERVAÇÕES
6	* SP-04-0238	PARA: VRN-400-VL, VRN-400-L
6	* SP-04-0239	PARA: VRN-500-VL, VRN-500-L
6	* SP-04-0240	PARA: VRN-600-VL, VRN-600-L
10	* SP-04-0151	PARA: VRN-400-VL, VRN-400-L
10	* SP-04-0152	PARA: VRN-500-VL, VRN-500-L
10	* SP-04-0153	PARA: VRN-600-VL, VRN-600-L
11	* SP-04-0148	PARA: VRN-400-VL, VRN-400-L
11	* SP-04-0149	PARA: VRN-500-VL, VRN-500-L
11	* SP-04-0147	PARA: VRN-600-VL, VRN-600-L
12	* SP-04-0242	PARA: VRN-400-VL, VRN-400-L
12	* SP-04-0243	PARA: VRN-500-VL, VRN-500-L
12	* SP-04-0244	PARA: VRN-600-VL, VRN-600-L
13	* SP-04-0245	PARA: VRN-400-VL, VRN-400-L
13	* SP-04-0246	PARA: VRN-500-VL, VRN-500-L
13	* SP-04-0247	PARA: VRN-600-VL, VRN-600-L
16	* PS-6103	PARA: VRN-400-VL, VRN-500-VL, VRN-600-VL