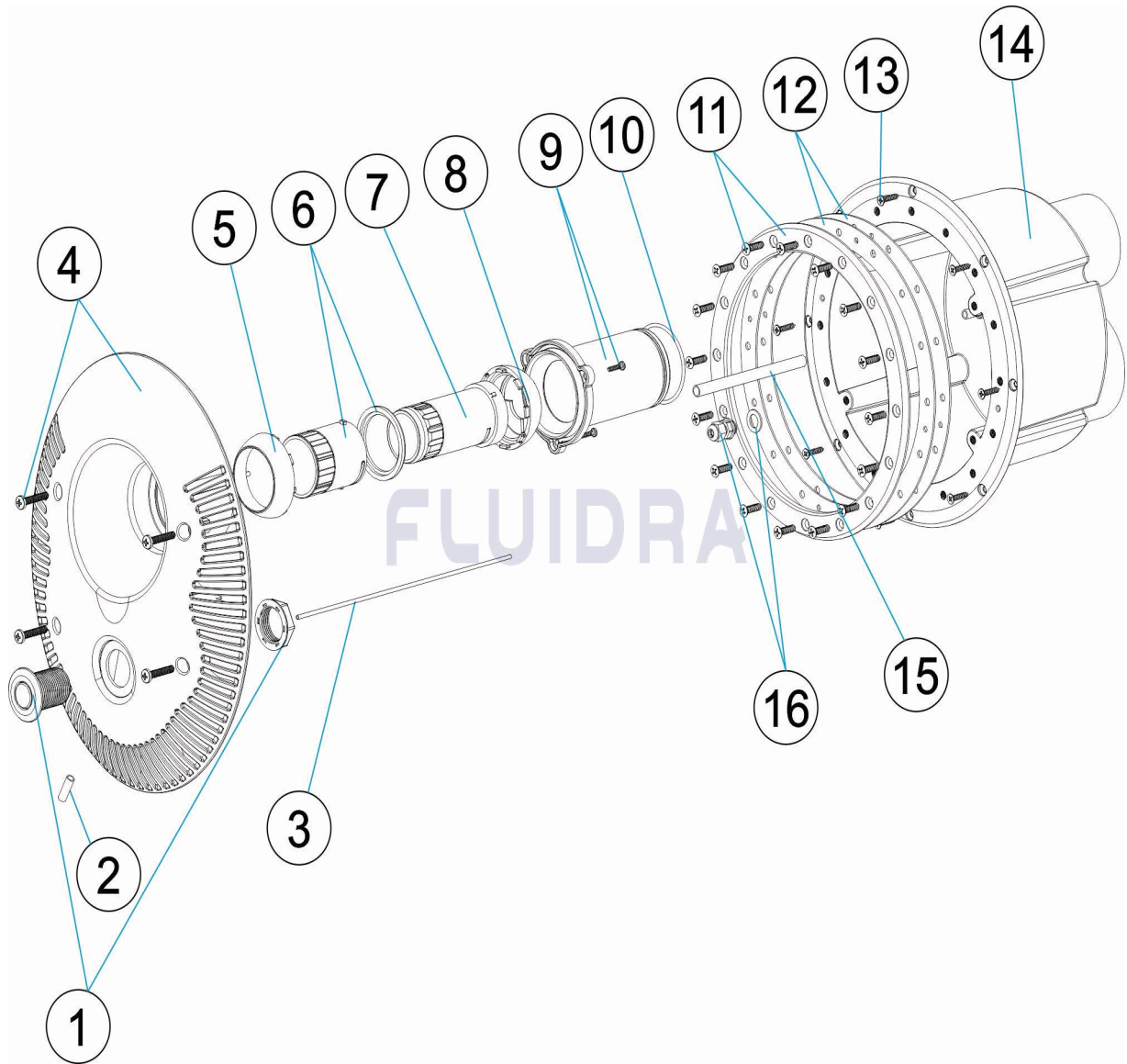


CODIGO **A-034, A-035**

 DESCRIPCION: **BOQUILLA CONTRACORRIENTE PANELES / PISC. PREFABRICADA**

ESPAÑOL

POS	CODIGO	DESCRIPCION	CANTIDAD	POS	CODIGO	DESCRIPCION	CANTIDAD
1	SP-02-0151	PULSADOR NEUMATICO 2X3,5 INDUSTRIA		10	SP-02-0160	JUNTA TÓRICA 65X3	
2	SP-02-0152	TUBO PVC RIGIDO D.5,5X7,5 M/M.		11	SP-02-0164	BRIDA FIJACION ANCHA PROY.STD.	
3	SP-02-0153	TUBO ULTRAVINIL CRISTAL 2X3,5X6 CORT.		12	SP-02-0165	JUNTA ADHESIVA PROYECTOR	
4	SP-02-0154	CARATULA BOQUILLA CONTRACORRIENTI		13	SP-02-0166	TORNILLO FIJACION NICHOS	
5	SP-02-0155	TAPA POSTERIOR BOQUILLA CONTRACOF		14	* SP-02-0167	NICHOS CONTRACORRIENTE PISC. PREF.	
6	SP-02-0156	REGULADOR AIRE BOQUILLA CONTRACOF		14	* SP-02-0168	NICHOS PANELES BOQUILLA CONTRACOF	
7	SP-02-0157	REGULADOR AGUA BOQUILLA CONTRACOF		15	SP-02-0162	TUBO ULTRAVINIL CRISTAL 7X10	
8	SP-02-0158	TAPA DELANTERA BOQUILLA CONTRACOF		16	SP-02-0161	PRENSAESTOPAS M-12X1,5	
9	SP-02-0159	ENLACE IMPULSION BOQUILLA CONTRACOF					



DESPIECE

REV: 0

9135

FECHA: 30/05/2022

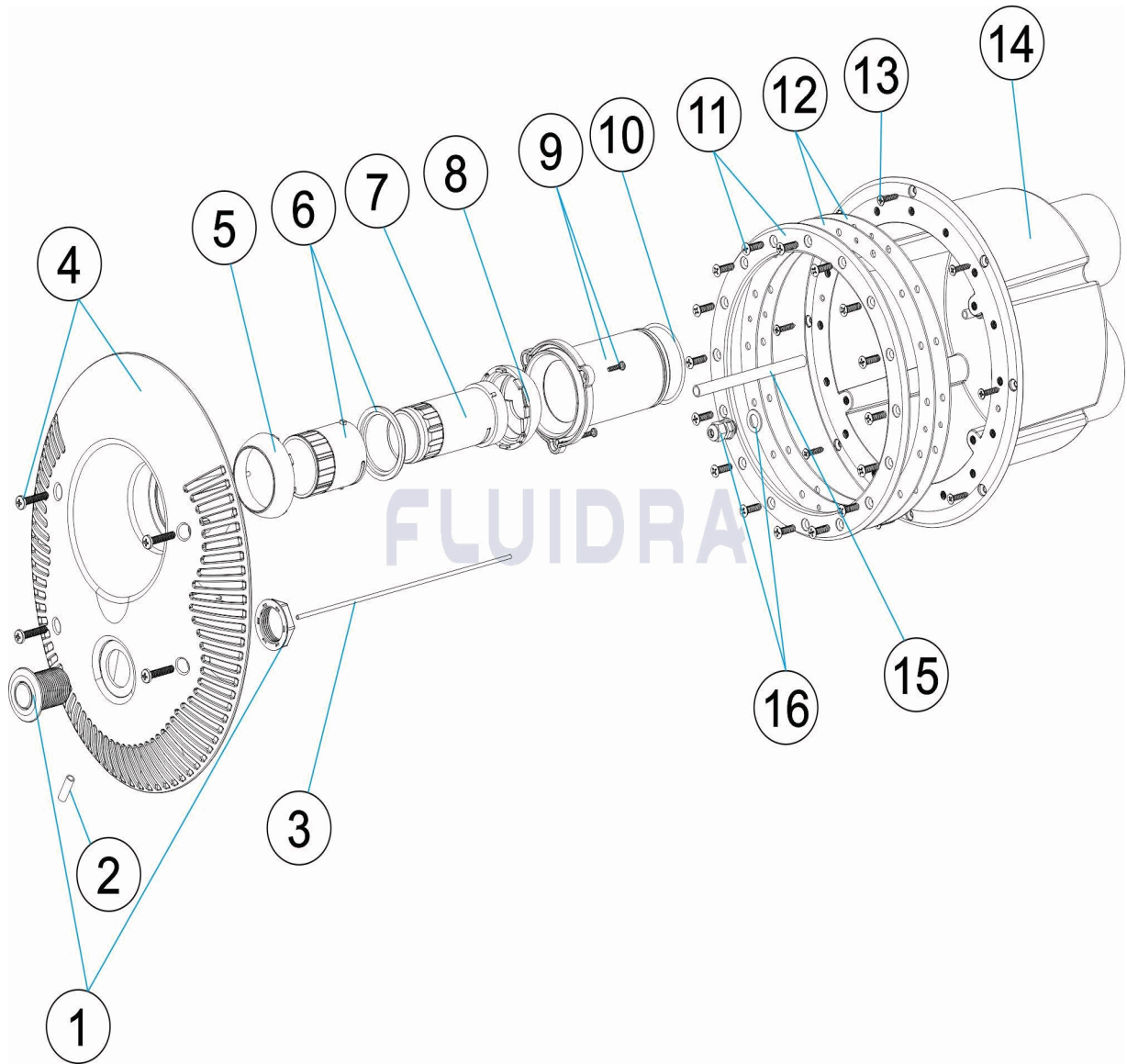
HOJA: 2/2

CODIGO **A-034, A-035**DESCRIPCION: **BOQUILLA CONTRACORRIENTE PANELES / PISC. PREFABRICADA**

OBSERVACIONES

POS	CODIGO	OBSERVACIONES
14	* SP-02-0167	PARA: A-034
14	* SP-02-0168	PARA: A-035

CODE **A-034, A-035**

 DESCRIPTION: **BUSE CONTRE-COURANT PANNEAUX / PISC. PRÉFABRIQUÉE**

FRANCAIS

POS	CODE	DESCRIPTION	QUANTITE	POS	CODE	DESCRIPTION	QUANTITE
1	SP-02-0151	BOUTON POUSSOIR PNEUMATIQUE		10	SP-02-0160	JOINT TORIQUE 65X3	
2	SP-02-0152	TUBE PVC RIGIDE D.5,5X7,5 M/M.		11	SP-02-0164	BRIDE FIXATION PROJECTEUR	
3	SP-02-0153	TUYAU ULTRAVINYLE 2X3,5X6		12	SP-02-0165	JOINT ADHESIF PROJECTEUR	
4	SP-02-0154	COUVERCLE ECC. ECO.		13	SP-02-0166	VIS FIXATION PROJECTEUR	
5	SP-02-0155	COUVERCLE POSTÉRIEUR BUSE CONTRE		14	* SP-02-0167	NICHE CONTRE-COURANT PISC. PRÉF.	
6	SP-02-0156	RÉGULATEUR AIR BUSE CONTRE-COURAI		14	* SP-02-0168	NICHE PANNEAUX BUSE CONTRE-COURAI	
7	SP-02-0157	RÉGULATEUR EAU BUSE CONTRE-COURA		15	SP-02-0162	TUYAU ULTRAVINYLE 7X10	
8	SP-02-0158	COUVERCLE AVANT BUSE CONTRE-COUR		16	SP-02-0161	PASSE-CÂBLES M-12X1,5	
9	SP-02-0159	LIEN REFOULEMENT BUSE CONTRE-COUI					



ÉCLATÉ

REV.: 0

9135

DATE: 30/05/2022

PAG.: 2/2

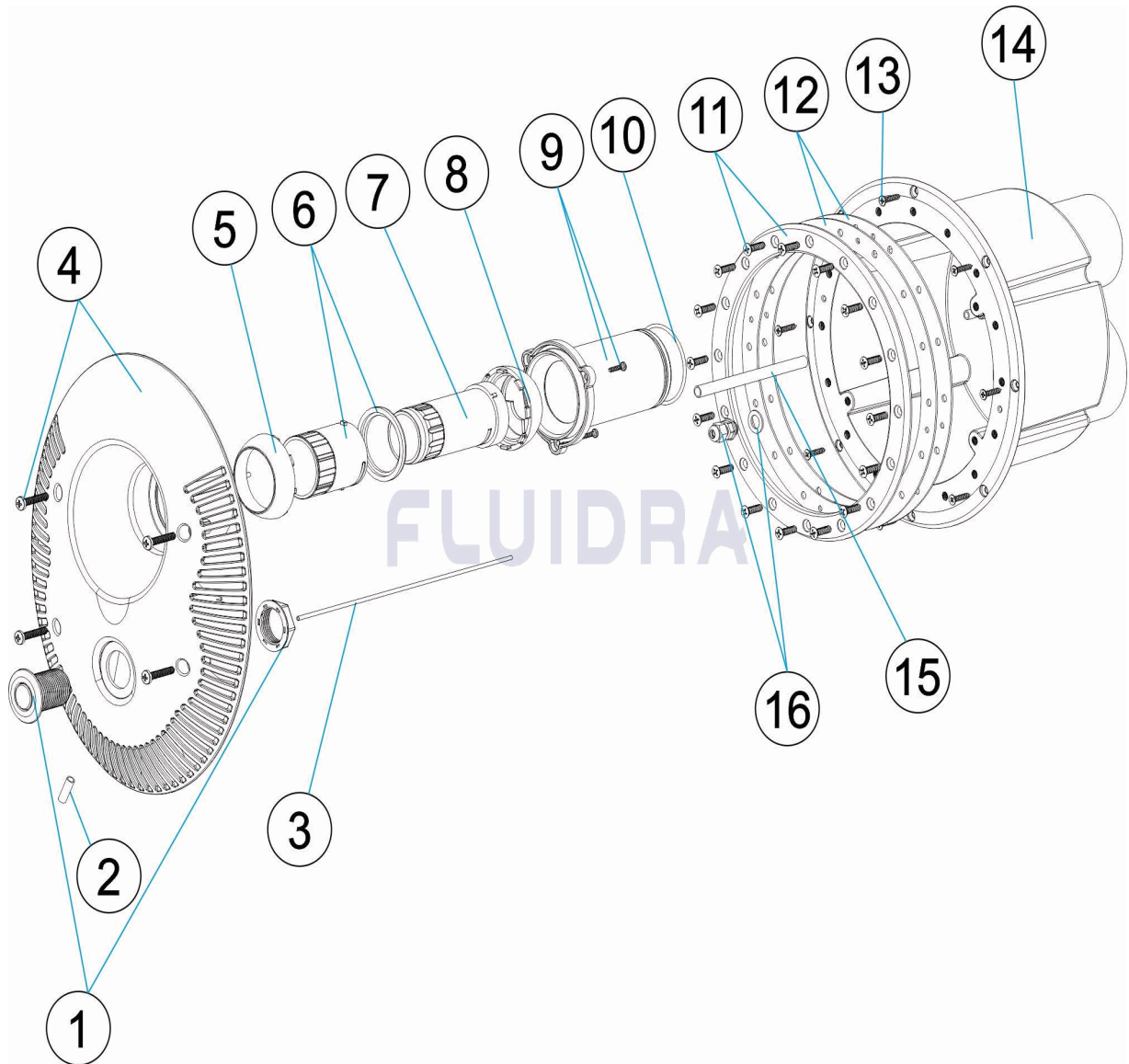
CODE **A-034, A-035**

DESCRIPTION: **BUSE CONTRE-COURANT PANNEAUX / PISC. PRÉFABRIQUÉE**

OBSERVATIONS

POS	CODE	OBSERVATIONS
14	* SP-02-0167	POUR: A-034
14	* SP-02-0168	POUR: A-035

CODE **A-034, A-035**

 DESCRIPTION: **COUNTERCURRENT JET PANEL / PREFABRICATED POOL**

ENGLISH

POS	CODE	DESCRIPTION	QUANTITY	POS	CODE	DESCRIPTION	QUANTITY
1	SP-02-0151	PNEUMATIC PUSH BUTTON		10	SP-02-0160	65X3 JOINT	
2	SP-02-0152	RIGID PVC PIPE D.5,5X7,5 M/M.		11	SP-02-0164	LIGHT FIXING FLANGE	
3	SP-02-0153	2X3,5X6 ULTRA VINYL TUBING		12	SP-02-0165	LIGHT ADHESIVE GASKET	
4	SP-02-0154	COVER ECC. ECO		13	SP-02-0166	LIGHT FIXING SCREW	
5	SP-02-0155	REAR CAP COUNTERCURRENT JET		14	* SP-02-0167	COUNTERCURRENT NICHE PREFABRICATI	
6	SP-02-0156	AIR REGULATOR COUNTERCURRENT JET		14	* SP-02-0168	COUNTERCURRENT JET NICHE WITH IMPL	
7	SP-02-0157	WATER REGULATOR COUNTERCURRENT		15	SP-02-0162	7X10 ULTRA VINYL TUBING	
8	SP-02-0158	FRONT CAP COUNTERCURRENT JET		16	SP-02-0161	CABLE GLAND M-12X1,5	
9	SP-02-0159	RETURN INLET CONNECTOR COUNTERCL					



PARTS BREAKDOWN

REV.: 0
DATE: 30/05/2022
SHEET: 2/2

9135

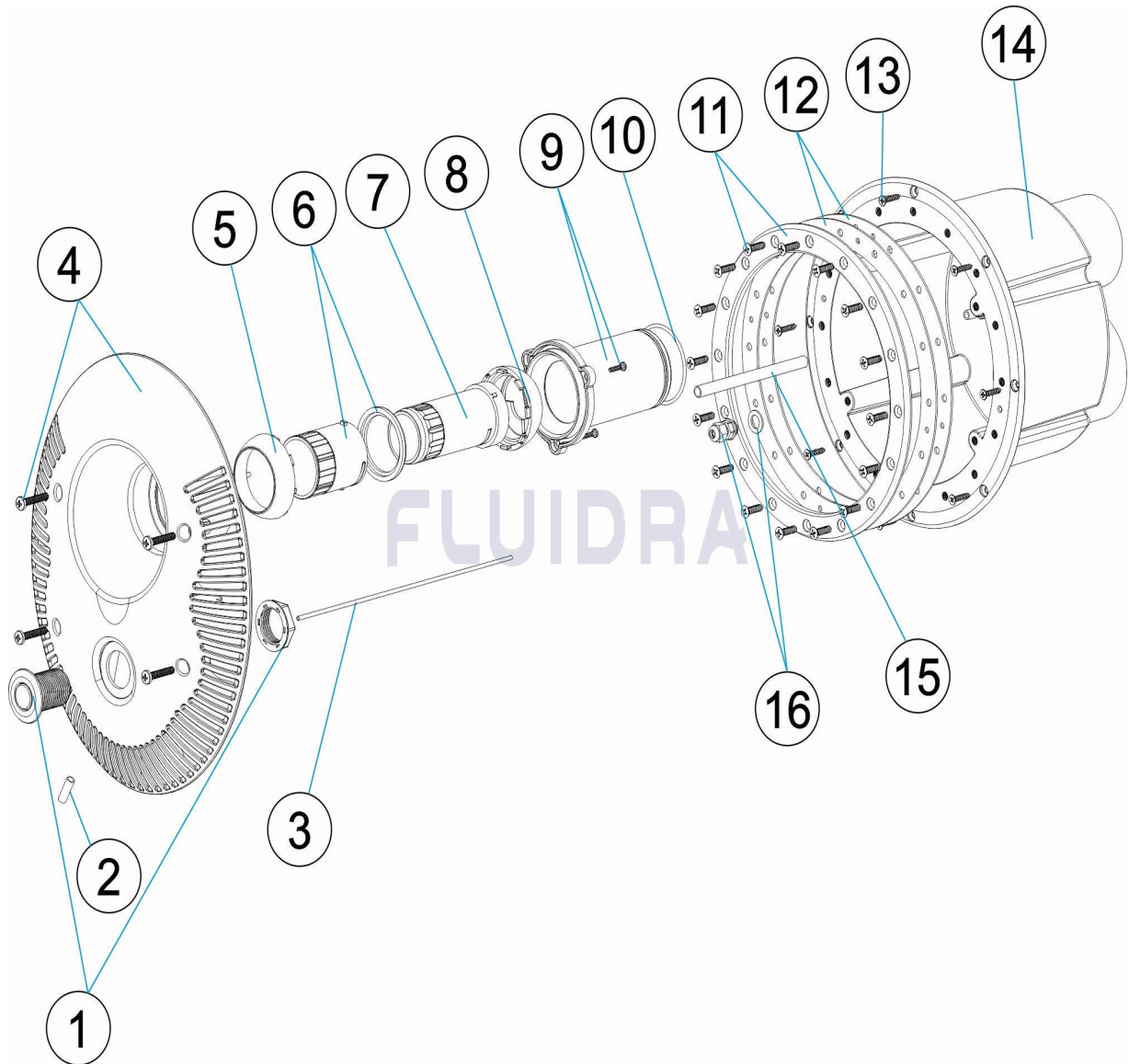
CODE **A-034, A-035**

DESCRIPTION: **COUNTERCURRENT JET PANEL / PREFABRICATED POOL**

OBSERVATIONS

POS	CODE	OBSERVATIONS
14	* SP-02-0167	FOR: A-034
14	* SP-02-0168	FOR: A-035

CODICE **A-034, A-035**

 DESCRIZIONE: **BOCCHETTA CONTROCORRENTE PANNELLI / PISCINA PREFABBRICATA**

ITALIANO

POS	CODICE	DESCRIZIONE	QUANTITA'	POS	CODICE	DESCRIZIONE	QUANTITA'
1	SP-02-0151	PULSANTE PNEUMATICO		10	SP-02-0160	O-RING 65X3	
2	SP-02-0152	TUBO PVC RIGIDO D.5,5X7,5 M/M.		11	SP-02-0164	FLANGIA FISSAGGIO FARO	
3	SP-02-0153	TUBO ULTRAVINILE 2X3,5X6		12	SP-02-0165	GUARNIZIONE ADESIVA FARO	
4	SP-02-0154	COPERCHIO ECC. ECO.		13	SP-02-0166	VITE FISSAGGIO FARO	
5	SP-02-0155	COPERCHIO POSTERIORE BOCCHETTA C		14	* SP-02-0167	NICCHIA CONTROCORRENTE PISCINA PRE	
6	SP-02-0156	REGOLATORE ARIA BOCCHETTA CONTRO		14	* SP-02-0168	NICCHIA PANNELLI BOCCHETTA CONTROC	
7	SP-02-0157	REGOLATORE ACQUA BOCCHETTA CONTI		15	SP-02-0162	TUBO ULTRAVINILE 7X10	
8	SP-02-0158	COPERCHIO ANTERIORE BOCCHETTA CO		16	SP-02-0161	PASSACAVI M-12X1,5	
9	SP-02-0159	COLLEGAMENTO IMPULSIONE BOCCHETTI					



ESPLOSO

REV.: 0

9135

DATA: 30/05/2022

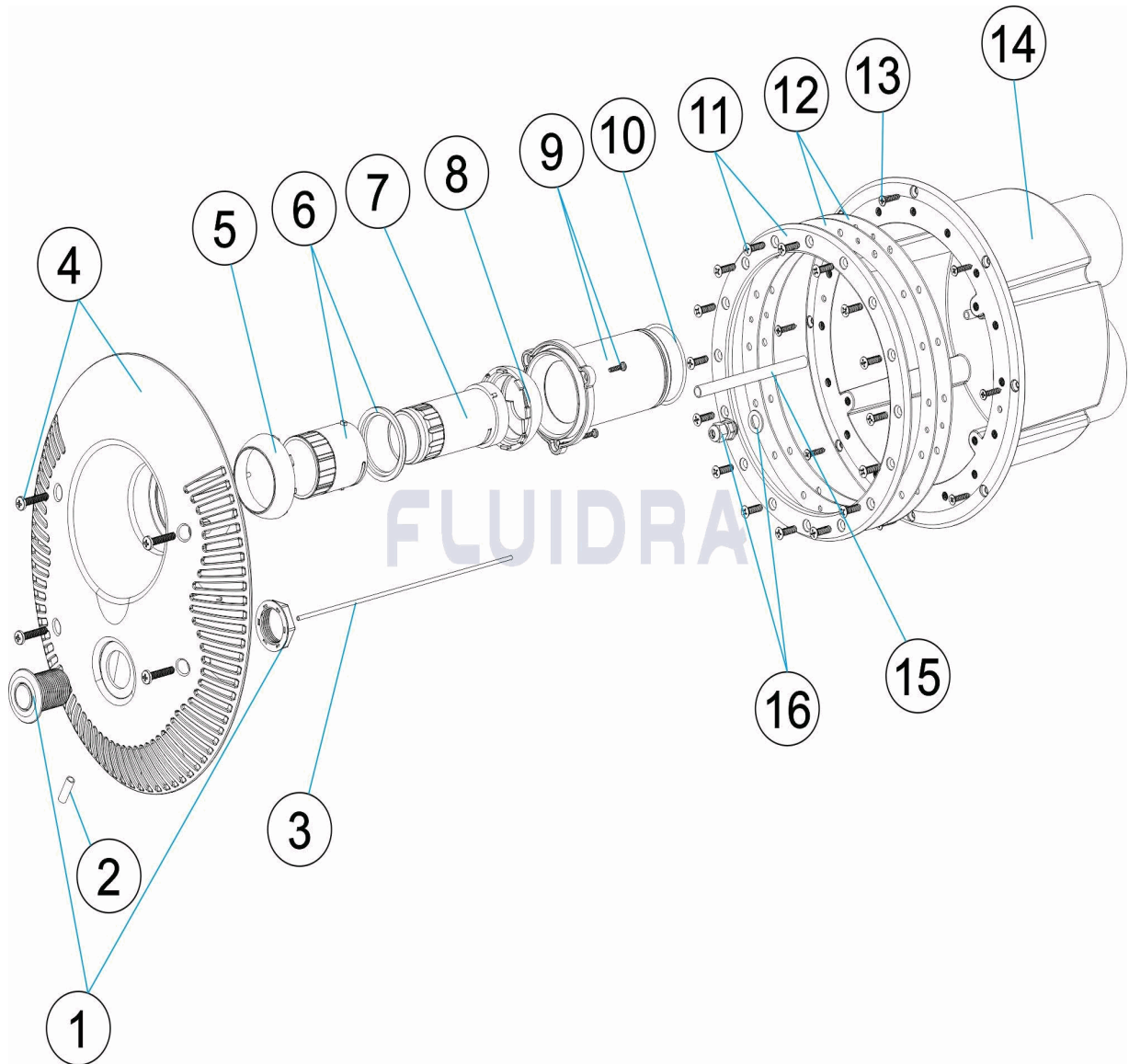
PAG.: 2/2

CODICE **A-034, A-035**DESCRIZIONE: **BOCCHETTA CONTROCORRENTE PANNELLI / PISCINA PREFABBRICATA**

OSSERVAZIONI

POS	CODICE	OSSERVAZIONI
14	* SP-02-0167	PER: A-034
14	* SP-02-0168	PER: A-035

CODE **A-034, A-035**

 BESCHREIBUNG: **GEGENSTROMDÜSE PLATTEN/FERTIGBECKEN**

DEUTSCH

POS	CODE	BESCHREIBUNG	MENGE	POS	CODE	BESCHREIBUNG	MENGE
1	SP-02-0151	PNEUMATISCHER DRUCKTASTER 2 X 3,5 I		10	SP-02-0160	O-RING 65 X 3	
2	SP-02-0152	ROHR PVC HART D. 5,5 X 7,5 MM		11	SP-02-0164	BEFESTIGUNGSFLANSCH BREIT UWS STD	
3	SP-02-0153	ROHR UTLRAVINYL GLAS 2 X 3,5 X 6 KURZ		12	SP-02-0165	DICHTUNG SELBSTKLEBEND UWS	
4	SP-02-0154	BEDIENFELD GEGENSTROMDÜSE ZERT.		13	SP-02-0166	FIXIERSCHRAUBE EINBAUTOPF	
5	SP-02-0155	ABDECKUNG HINTEN GEGENSTROMDÜSE		14	* SP-02-0167	EINBAUTOPF FERTIGBECKEN DÜSE	
6	SP-02-0156	LUFTREGULIERUNG GEGENSTROMDÜSE		14	* SP-02-0168	EINBAUTOPF PLATTEN DÜSE MIT EINSÄTZ	
7	SP-02-0157	WASSERREGULIERUNG GEGENSTROMDÜSE		15	SP-02-0162	ROHR UTLRAVINYL GLAS 7 X 10	
8	SP-02-0158	ABDECKUNG VORNE GEGENSTROMDÜSE		16	SP-02-0161	QUETSCHVERSCHRAUBUNG M-12 X 1,5	
9	SP-02-0159	EINLAUFANSCHLUSS GEGENSTROMDÜSE					



EINZELTEILE

ÜBER.: 0

9135

DATUM: 30/05/2022

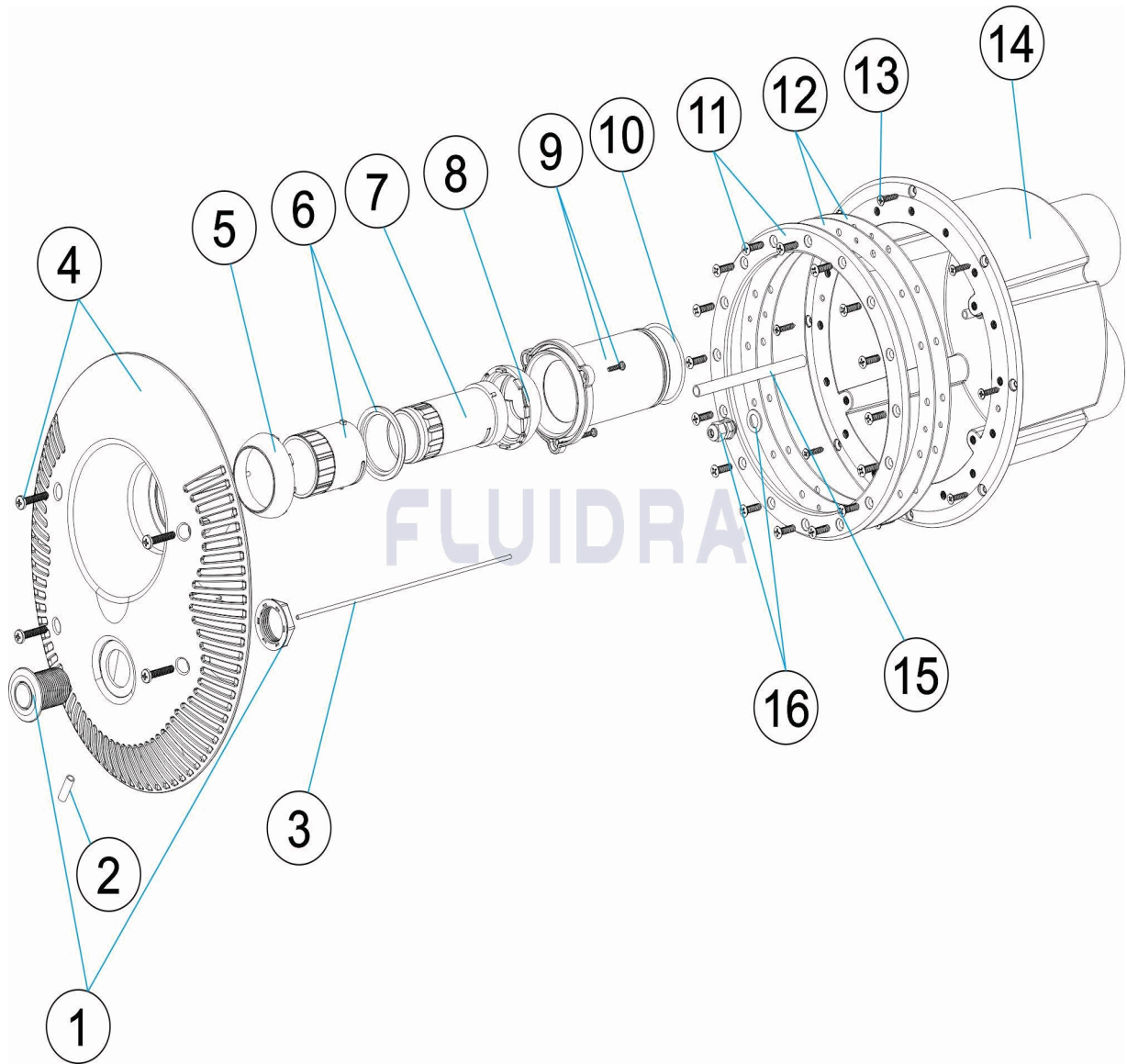
BLATT: 2/2

CODE **A-034, A-035**BESCHREIBUNG: **GEGENSTROMDÜSE PLATTEN/FERTIGBECKEN**

HINWEISE

POS	CODE	HINWEISE
14	* SP-02-0167	FÜR: A-034
14	* SP-02-0168	FÜR: A-035

CODIGO **A-034, A-035**

 DESCRIÇÃO: **BOQUILHA CONTRACORRENTE PAINÉIS / PISC. PREFABRICADA**

PORTUGUES

POS	CODIGO	DESCRIÇÃO	JANTIDADE	POS	CODIGO	DESCRIÇÃO	JANTIDADE
1	SP-02-0151	BOTÃO PNEUMÁTICO		10	SP-02-0160	JUNTA TÓRICA 65X3	
2	SP-02-0152	TUBO PVC RÍGIDO D.5,5X7,5 M/M.		11	SP-02-0164	FLANGE FIXAÇÃO PROJECTOR	
3	SP-02-0153	TUBO ULTRAVINIL 2X3,5X6		12	SP-02-0165	JUNTA ADESIVA PROJECTOR	
4	SP-02-0154	COBERTA ECC. ECO.		13	SP-02-0166	PARAFUSO DE FIXAÇÃO PROJECTOR	
5	SP-02-0155	TAMPA POSTERIOR BOQUILHA CONTRAC		14	* SP-02-0167	NICHO CONTRACORRENTE PIS. PREF.	
6	SP-02-0156	REGULADOR AR BOQUILHA CONTRACOR		14	* SP-02-0168	NICHO PAINÉIS BOQUILHA CONTRAC. COM	
7	SP-02-0157	REGULADOR ÁGUA BOQUILHA CONTRAC		15	SP-02-0162	TUBO ULTRAVINIL 7X10	
8	SP-02-0158	TAMPA DIANTEIRA BOQUILHA CONTRACO		16	SP-02-0161	PASSA-CABOS M-12X1,5	
9	SP-02-0159	LIGAÇÃO IMPULSÃO BOQUILHA CONTRAC					



ITEM

REV.: 0

9135

DATA: 30/05/2022

FOLHA: 2/2

CODIGO **A-034, A-035**DESCRIÇÃO: **BOQUILHA CONTRACORRENTE PAINÉIS / PISC. PREFABRICADA**

OBSERVAÇÕES

POS	CODIGO	OBSERVAÇÕES
14	* SP-02-0167	PARA: A-034
14	* SP-02-0168	PARA: A-035