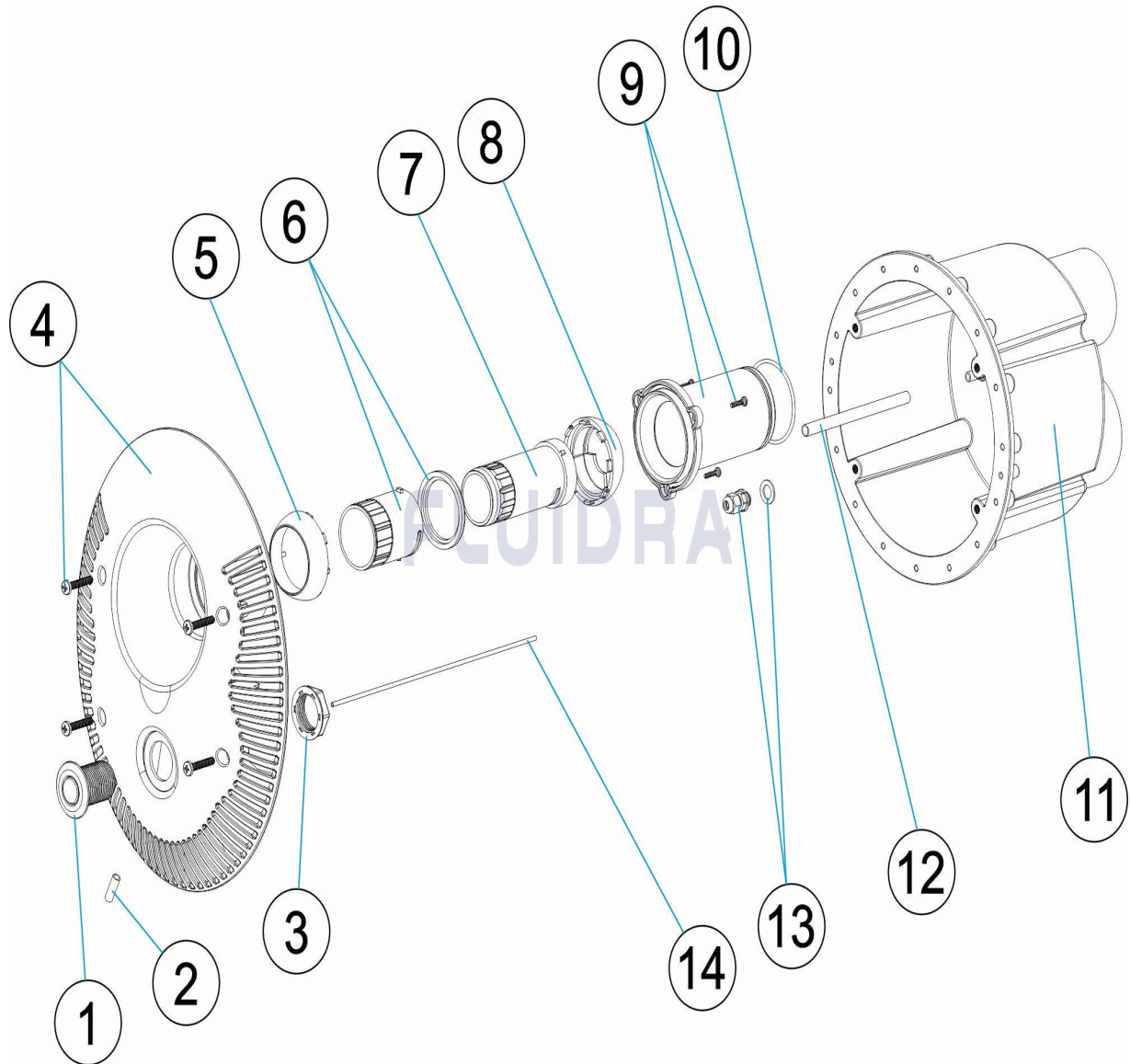


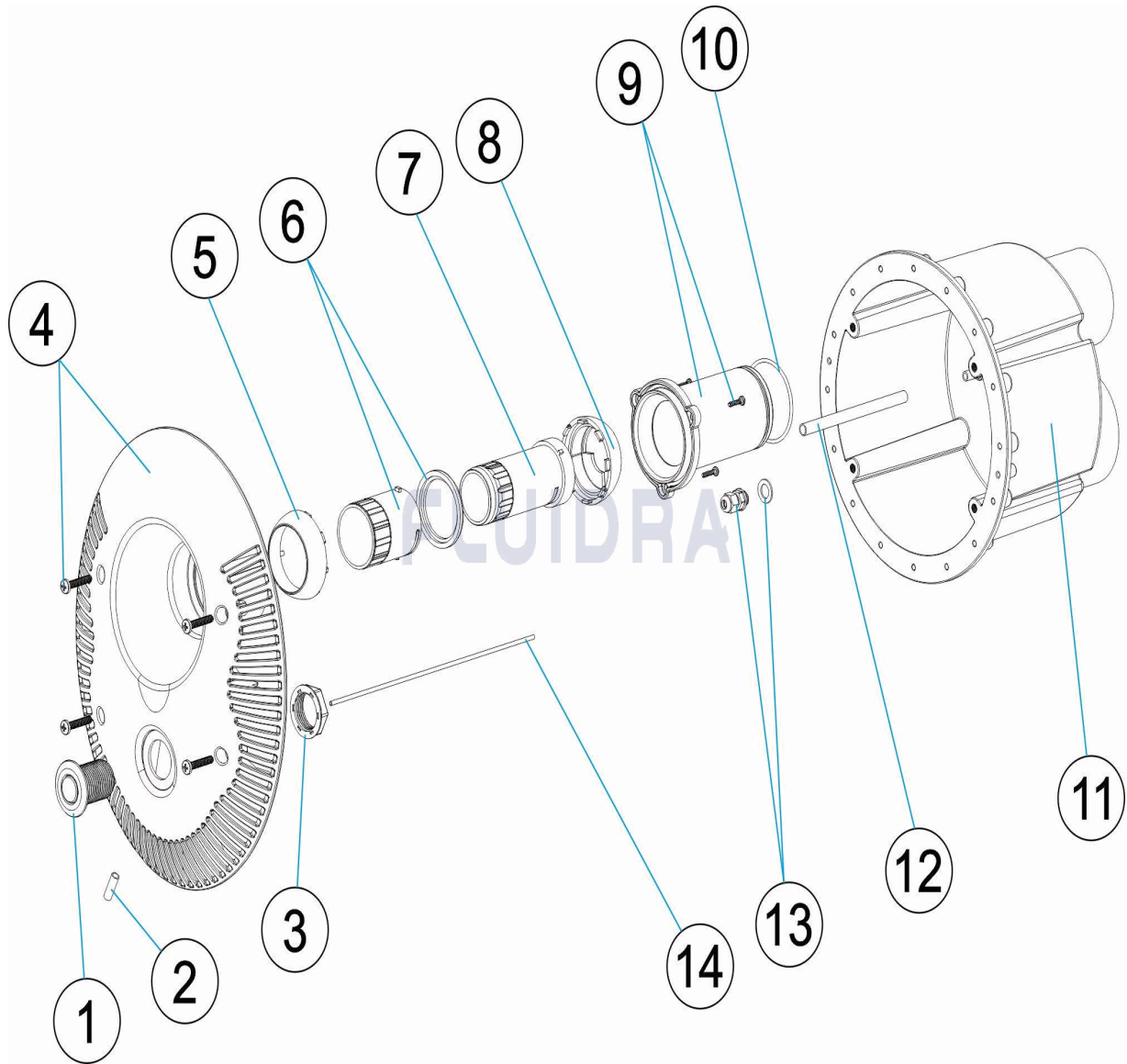
CODIGO **A-033**

 DESCRIPCION: **BOQUILLA CONTRACORRIENTE PISC. HORMIGON**

ESPAÑOL

POS	CODIGO	DESCRIPCION	CANTIDAD	POS	CODIGO	DESCRIPCION	CANTIDAD
1	SP-02-0151	PULSADOR NEUMATICO 2X3,5 INDUSTRIA	8	SP-02-0158	TAPA DELANTERA BOQUILLA CONTRACOR		
2	SP-02-0152	TUBO PVC RIGIDO D.5,5X7,5 M/M.	9	SP-02-0159	ENLACE IMPULSION BOQUILLA CONTRACC		
3	SP-02-0206	TUERCA 1" BSP PULSADOR NEUMATIC "	10	SP-02-0160	JUNTA TÓRICA 65X3		
4	SP-02-0207	CARATULA BOQUILLA CONTRACORRIENTI	11	SP-02-0163	NICHO CONTRACORRIENTE P. HORMIGON		
5	SP-02-0155	TAPA POSTERIOR BOQUILLA CONTRACOF	12	SP-02-0162	TUBO ULTRAVINILO CRISTAL 7X10		
6	SP-02-0156	REGULADOR AIRE BOQUILLA CONTRACOI	13	SP-02-0161	PRENSAESTOPAS M-12X1,5		
7	SP-02-0157	REGULADOR AGUA BOQUILLA CONTRACC	14	SP-02-0153	TUBO ULTRAVINIL CRISTAL 2X3,5X6 CORTA		

CODE

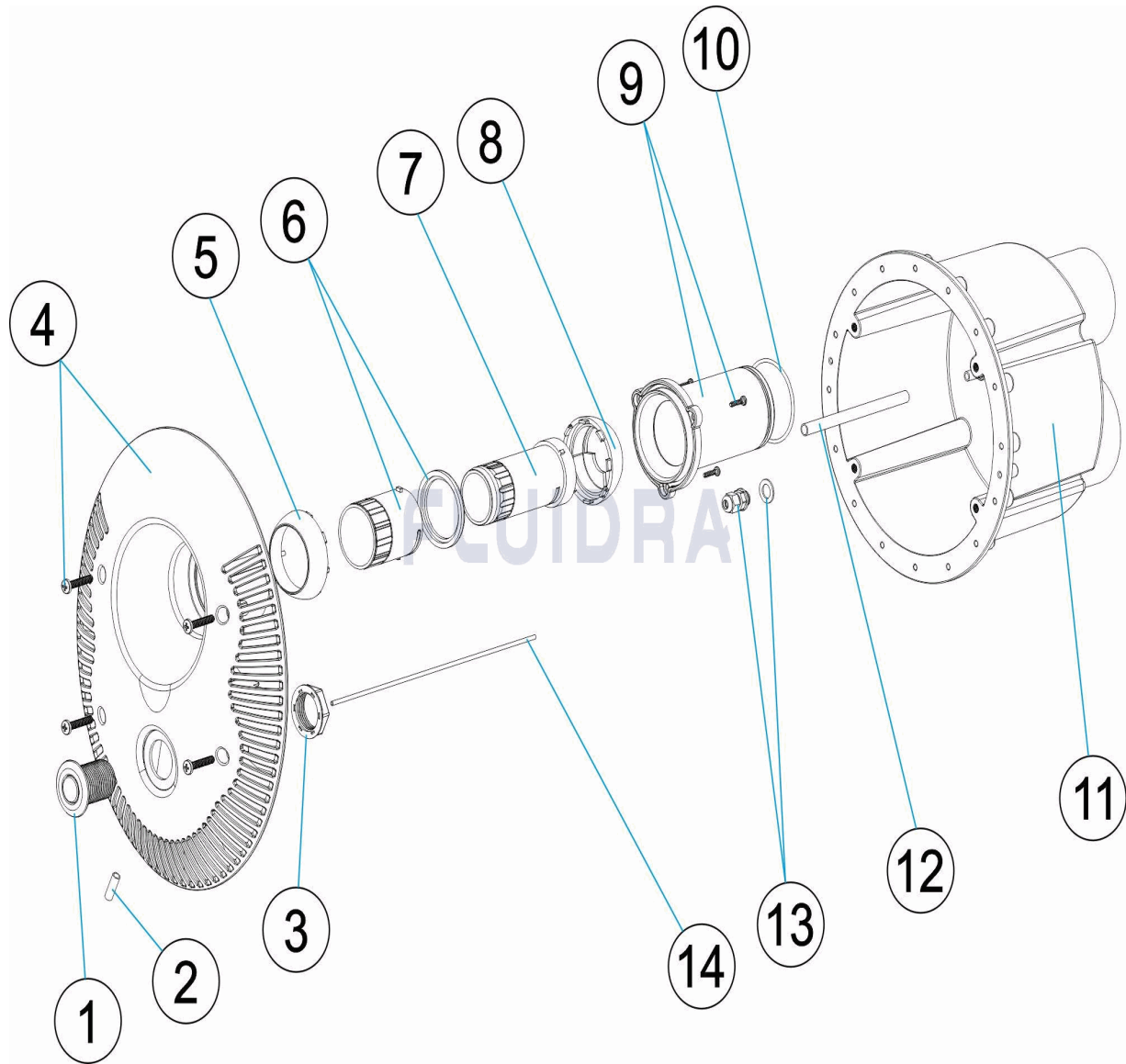
A-033

 DESCRIPTION: **BUSE CONTRE-COURANT PISC. BÉTON**

FRANCAIS

POS	CODE	DESCRIPTION	QUANTITE	POS	CODE	DESCRIPTION	QUANTITE
1	SP-02-0151	BOUTON POUSSOIR PNEUMATIQUE		8	SP-02-0158	COUVERCLE AVANT BUSE CONTRE-COUR/	
2	SP-02-0152	TUBE PVC RIGIDE D.5.5X7,5 M/M.		9	SP-02-0159	LIEN REFOULEMENT BUSE CONTRE-COUF	
3	SP-02-0206	ÉCROU 1' BSP BOUTON-POUSSOIR PNEUI		10	SP-02-0160	JOINT TORIQUE 65X3	
4	SP-02-0207	COUVERCLE ECC. ECO.		11	SP-02-0163	NICHE CONTRE-COURANT P. BÉTON	
5	SP-02-0155	COUVERCLE POSTÉRIEUR BUSE CONTRE		12	SP-02-0162	TUYAU ULTRAVINYLE 7X10	
6	SP-02-0156	RÉGULATEUR AIR BUSE CONTRE-COURAI		13	SP-02-0161	PASSE-CÂBLES M-12X1,5	
7	SP-02-0157	RÉGULATEUR EAU BUSE CONTRE-COURA		14	SP-02-0153	TUYAU ULTRAVINYLE 2X3,5X6	

CODE **A-033**

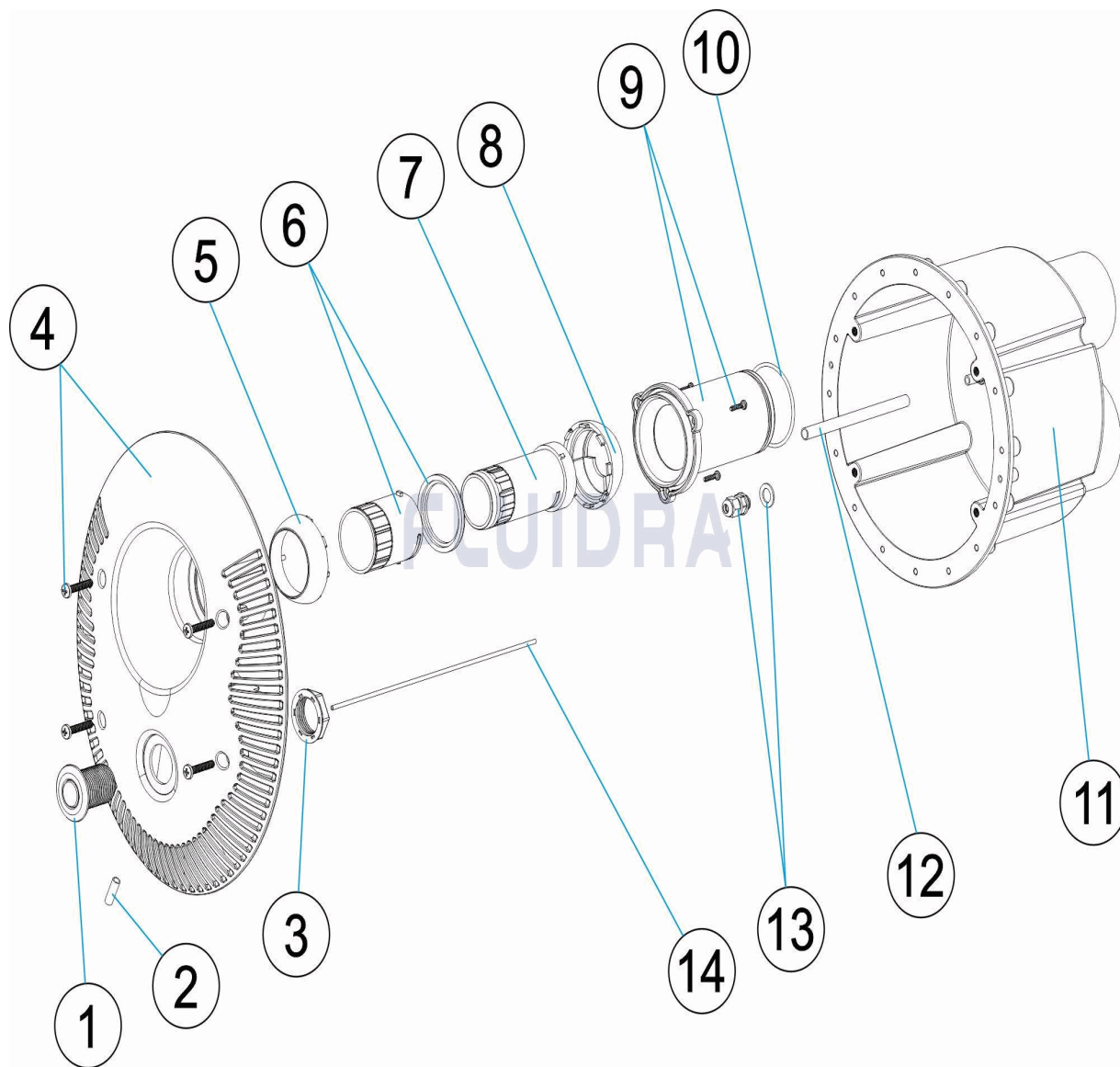
DESCRIPTION: **COUNTERCURRENT JET CONCRETE POOL**



ENGLISH

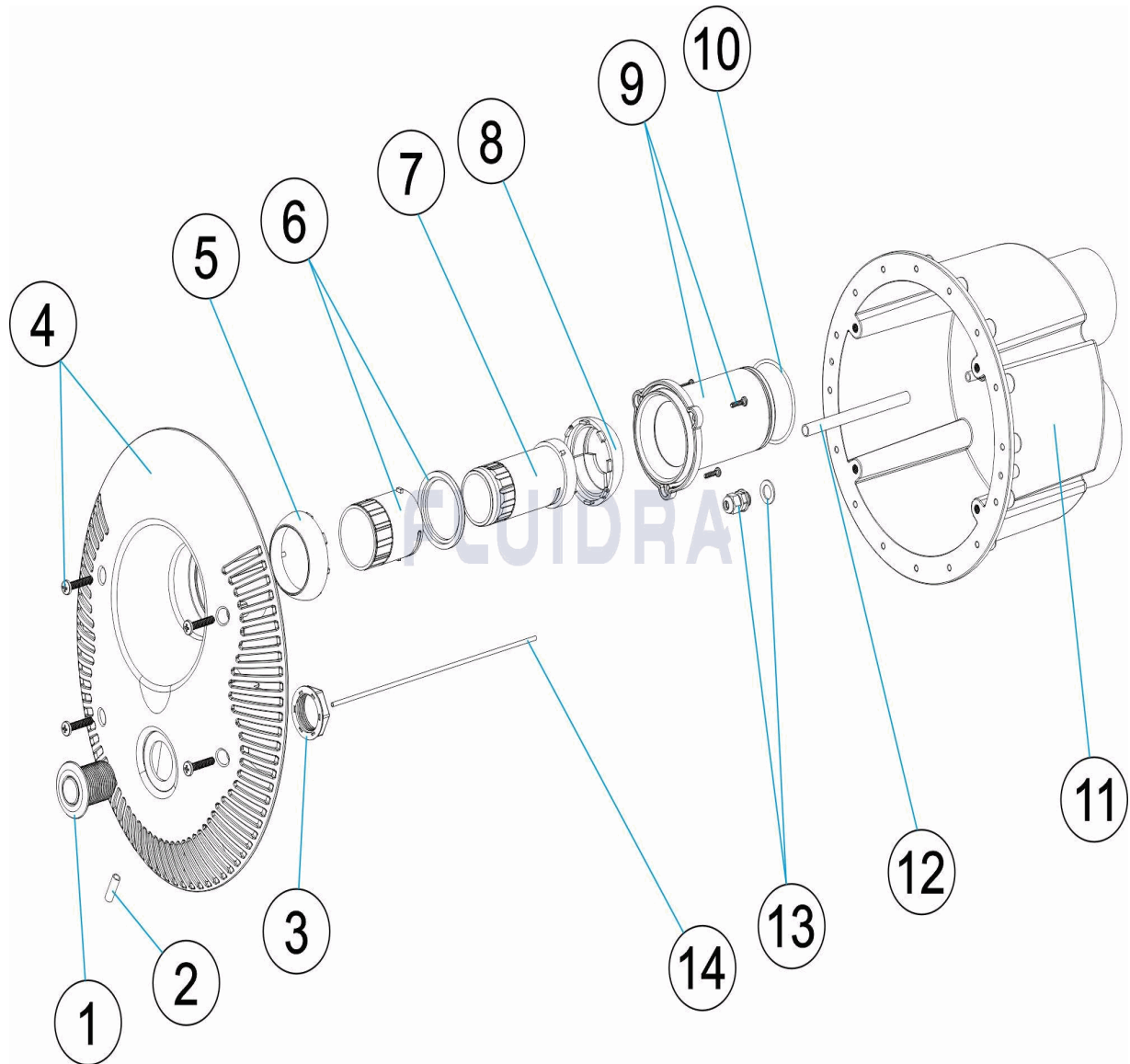
POS	CODE	DESCRIPTION	QUANTITY	POS	CODE	DESCRIPTION	QUANTITY
1	SP-02-0151	PNEUMATIC PUSH BUTTON		8	SP-02-0158	FRONT CAP COUNTERCURRENT JET	
2	SP-02-0152	RIGID PVC PIPE D.5,5X7,5 M/M.		9	SP-02-0159	RETURN INLET CONNECTOR COUNTERCU	
3	SP-02-0206	1" BSP PNEUMATIC SWITCH NU "		10	SP-02-0160	65X3 JOINT	
4	SP-02-0207	COVER ECC. ECO		11	SP-02-0163	COUNTERCURRENT NICHE CONCRETE PC	
5	SP-02-0155	REAR CAP COUNTERCURRENT JET		12	SP-02-0162	7X10 ULTRA VINYL TUBING	
6	SP-02-0156	AIR REGULATOR COUNTERCURRENT JET		13	SP-02-0161	CABLE GLAND M-12X1,5	
7	SP-02-0157	WATER REGULATOR COUNTERCURRENT		14	SP-02-0153	2X3,5X6 ULTRA VINYL TUBING	

CODICE **A-033**

 DESCRIZIONE: **BOCCHETTA CONTROCORRENTE PISCINA IN CEMENTO**

ITALIANO

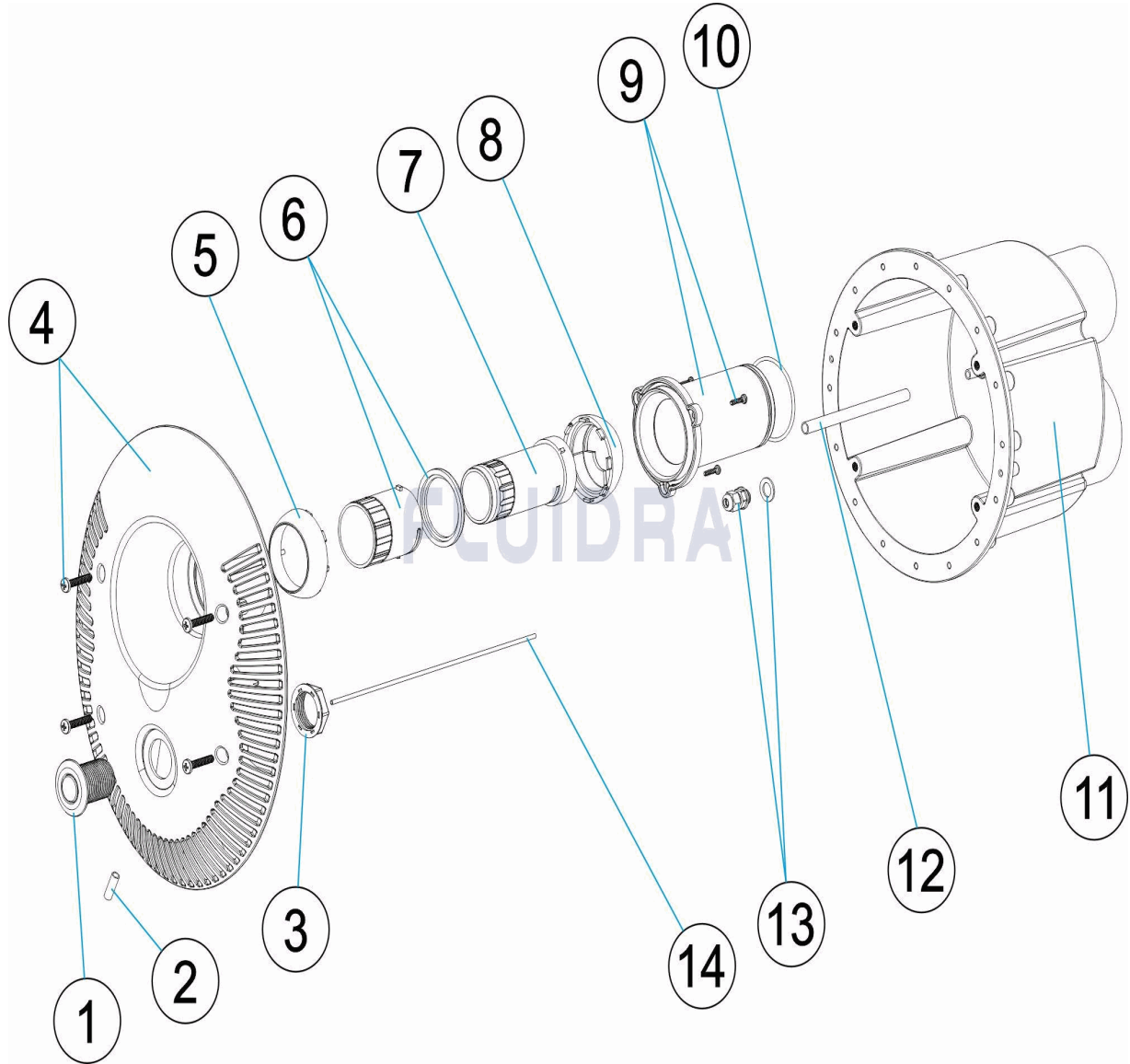
POS	CODICE	DESCRIZIONE	QUANTITA'	POS	CODICE	DESCRIZIONE	QUANTITA'
1	SP-02-0151	PULSANTE PNEUMATICO		8	SP-02-0158	COPERCHIO ANTERIORE BOCCHETTA COM	
2	SP-02-0152	TUBO PVC RIGIDO D.5,5X7,5 M/M.		9	SP-02-0159	COLLEGAMENTO IMPULSIONE BOCCHETTI	
3	SP-02-0206	DADO 1" BSP PULSANTE PNEUMATIC "		10	SP-02-0160	O-RING 65X3	
4	SP-02-0207	COPERCHIO ECC. ECO.		11	SP-02-0163	NICCHIA CONTROCORRENTE PISCINA IN C	
5	SP-02-0155	COPERCHIO POSTERIORE BOCCHETTA C		12	SP-02-0162	TUBO ULTRAVINILE 7X10	
6	SP-02-0156	REGOLATORE ARIA BOCCHETTA CONTRO		13	SP-02-0161	PASSACAVI M-12X1,5	
7	SP-02-0157	REGOLATORE ACQUA BOCCHETTA CONTI		14	SP-02-0153	TUBO ULTRAVINILE 2X3,5X6	

CODE **A-033**

 BESCHREIBUNG: **GEGENSTROMDÜSE BETONBECKEN**

DEUTSCH

POS	CODE	BESCHREIBUNG	MENGE	POS	CODE	BESCHREIBUNG	MENGE
1	SP-02-0151	PNEUMATISCHER DRUCKTASTER 2 X 3,5 I		8	SP-02-0158	ABDECKUNG VORNE GEGENSTROMDÜSE	
2	SP-02-0152	ROHR PVC HART D. 5,5 X 7,5 MM		9	SP-02-0159	EINLAUFANSCHLUSS GEGENSTROMDÜSE	
3	SP-02-0206	MUTTER 1" BSP PNEUMATISCHER DRUCK		10	SP-02-0160	O-RING 65 X 3	
4	SP-02-0207	BEDIENFELD GEGENSTROMDÜSE ZERT.		11	SP-02-0163	EINBAUTOPF GEGENSTROM BETONBECKE	
5	SP-02-0155	ABDECKUNG HINTEN GEGENSTROMDÜSE		12	SP-02-0162	ROHR UTLRAVINYL GLAS 7 X 10	
6	SP-02-0156	LUFTREGULIERUNG GEGENSTROMDÜSE		13	SP-02-0161	QUETSCHVERSCHRAUBUNG M-12 X 1,5	
7	SP-02-0157	WASSERREGULIERUNG GEGENSTROMDÜSE		14	SP-02-0153	ROHR UTLRAVINYL GLAS 2 X 3,5 X 6 KURZ	

CODIGO **A-033**

 DESCRIÇÃO: **BOQUILHA CONTRACORRENTE PISC. BETÃO**

PORTUGUES

POS	CODIGO	DESCRIÇÃO	JANTIDADE	POS	CODIGO	DESCRIÇÃO	JANTIDADE
1	SP-02-0151	BOTÃO PNEUMÁTICO		8	SP-02-0158	TAMPA DIANTEIRA BOQUILHA CONTRACOF	
2	SP-02-0152	TUBO PVC RÍGIDO D.5,5X7,5 M/M.		9	SP-02-0159	LIGAÇÃO IMPULSAÇÃO BOQUILHA CONTRACOF	
3	SP-02-0206	PORCA 1" BSL BOTÃO PNEUMÁTIC "		10	SP-02-0160	JUNTA TÓRICA 65X3	
4	SP-02-0207	COBERTA ECC. ECO.		11	SP-02-0163	NICHO CONTRACORRENTE P. BETÃO	
5	SP-02-0155	TAMPA POSTERIOR BOQUILHA CONTRACOF		12	SP-02-0162	TUBO ULTRAVINIL 7X10	
6	SP-02-0156	REGULADOR AR BOQUILHA CONTRACOF		13	SP-02-0161	PASSA-CABOS M-12X1,5	
7	SP-02-0157	REGULADOR ÁGUA BOQUILHA CONTRACOF		14	SP-02-0153	TUBO ULTRAVINIL 2X3,5X6	