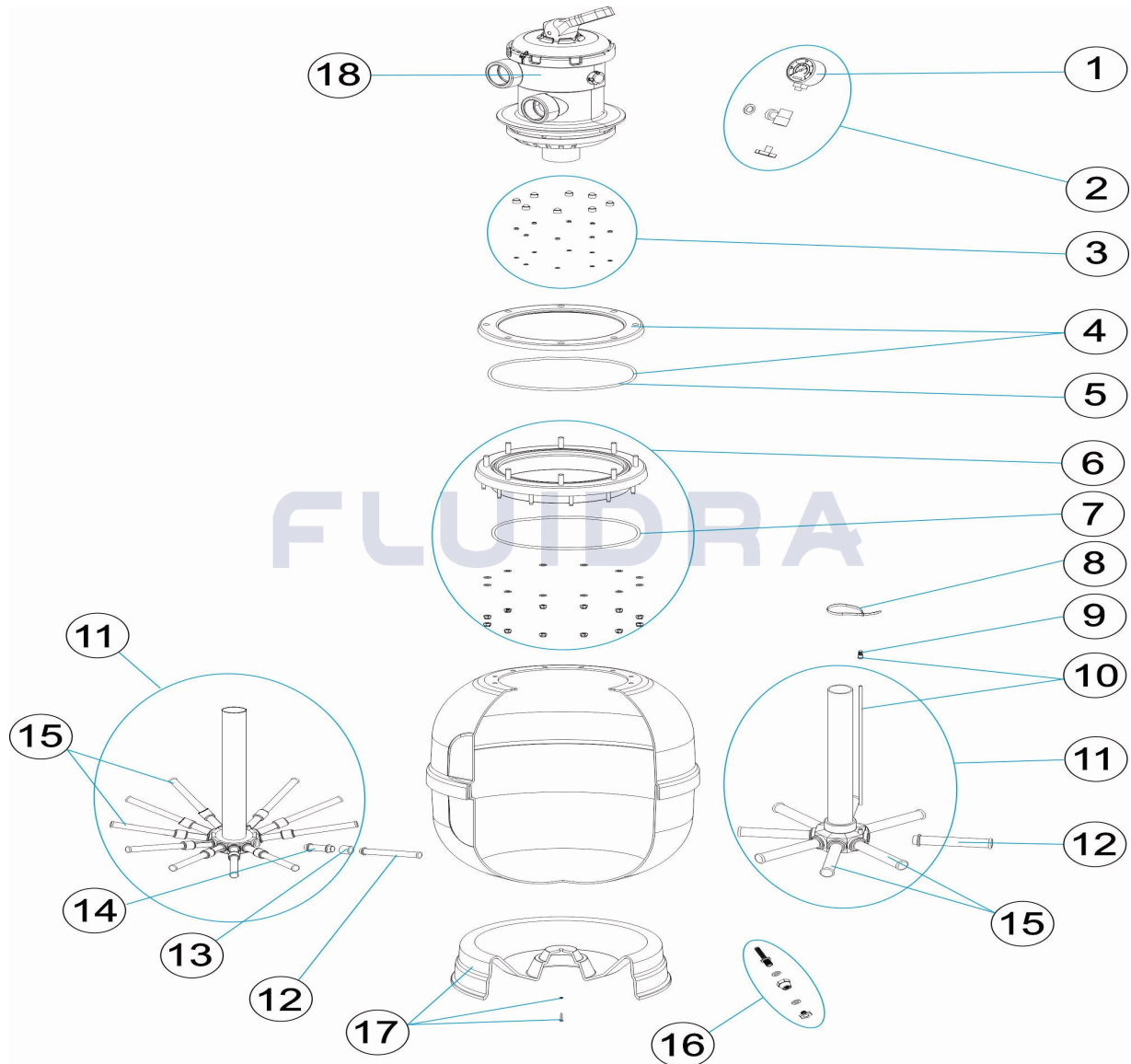


**CODIGO** FST-350, FST-450, FST-500, FST-550, FST-600, FST-650, FST-680, FST-750, FST-800, FST-900, FST-950, FT-350, FT-450, FT-500, FT-550, FT-600, FT-650, FT-680, FT-750, FT-800, FT-900, FT-950

**DESCRIPCION:** FILTROS LISBOA TOP



**ESPAÑOL**

POS	CODIGO	DESCRIPCION	CANTIDAD	POS	CODIGO	DESCRIPCION	CANTIDAD
1	SP-04-0096	MANOMETRO 1/8" 3 KG/C "		11	* SP-04-0193	CJTO. COLECTOR D.550 TOP 1"	
2	SP-04-0097	MANOMETRO COMPLETO		11	* SP-04-0194	CJTO. COLECTOR D.600 TOP 1"	
3	SP-04-0187	TORNILLERIA CIERRE TAPA		11	* SP-04-0195	CJTO. COLECTOR D.650 TOP 1"	
4	SP-04-0188	ARO FIJACION VALVULA TOP 1 1/2"		11	* SP-04-0196	CJTO. COLECTOR D.680 TOP 1"	
5	SP-04-0189	JUNTA ARO FIJACION VALVULA		11	* SP-04-0197	CJTO. COLECTOR D.750 TOP 1"	
6	SP-04-0133	ARO CUELLO 20 TORNILLOS		11	* SP-04-0198	CJTO. COLECTOR ASTER D. 800 TOP 1"	
7	SP-04-0134	JUNTA TORICA 255X4		11	* SP-04-0199	CJTO. COLECTOR D.900 TOP 1"	
8	SP-04-0128	BRIDA		11	* SP-04-0200	CJTO. COLECTOR D. 950 TOP 1"	
9	SP-04-0129	PURGA AIRE		12	* SP-04-0148	BRAZO COLECTOR 1" 110 M "	
10	* SP-04-0183	TUBO PVC RIGIDO L-525		12	* SP-04-0149	BRAZO COLECTOR 1" 175 M "	
10	* SP-04-0184	PURGA AIRE + TUBO L=670		12	* SP-04-0147	BRAZO COLECTOR 1" 225 M "	



# KIT

REV: 0  
FECHA: 23/05/2022  
HOJA: 2/3

9104

**CODIGO** FST-350, FST-450, FST-500, FST-550, FST-600, FST-650, FST-680,  
FST-750, FST-800, FST-900, FST-950, FT-350, FT-450, FT-500, FT-550,  
FT-600, FT-650, FT-680, FT-750, FT-800, FT-900, FT-950

**DESCRIPCION: FILTROS LISBOA TOP**

10	* SP-04-0186	TUBO PVC RIGIDO L, 1120 MM	12	* SP-04-0150	BRAZO COLECTOR 1" 265 M "
11	* SP-04-0190	CJTO. COLECTOR D.350 TOP 1"	13	* SP-04-0146	MANGUITO ENLACE UNION 1"
11	* SP-04-0191	CJTO. COLECTOR D.450 TOP 1"	14	* SP-04-0145	BRAZO COLECTOR 1" 100 M "
11	* SP-04-0192	CJTO. COLECTOR D.500 TOP 1"	15	* SP-04-0151	CJTO. BRAZOS COLECTOR D. 400
15	* SP-04-0152	CJTO. BRAZOS COLECTOR	17	* SP-04-0137	PIE FILTRO
15	* SP-04-0201	CJTO. BRAZOS COLECTOR D. 650	17	* SP-04-0138	PIE FILTRO D. 600
15	* SP-04-0154	CJTO. BRAZOS COLECTOR D. 750	17	* SP-04-0139	PIE FILTRO D. 800
15	* SP-04-0155	CJTO. BRAZOS COLECTOR D. 950 - 1050	17	* SP-04-0140	PIE FILTRO D. 900
16	SP-04-0141	PURGA AGUA 3/8"	18	* PS-6403	VALVULA SELECTORA 1 1/2" TOP
17	* SP-04-0135	PIE FILTRO D. 350	18	* PS-6404	VALVULA SELECTORA TOP 2"
17	* SP-04-0136	PIE FILTRO D. 450			

**CODIGO**                    **FST-350, FST-450, FST-500, FST-550, FST-600, FST-650, FST-680,  
FST-750, FST-800, FST-900, FST-950, FT-350, FT-450, FT-500, FT-550,  
FT-600, FT-650, FT-680, FT-750, FT-800, FT-900, FT-950**

**DESCRIPCION: FILTROS LISBOA TOP**

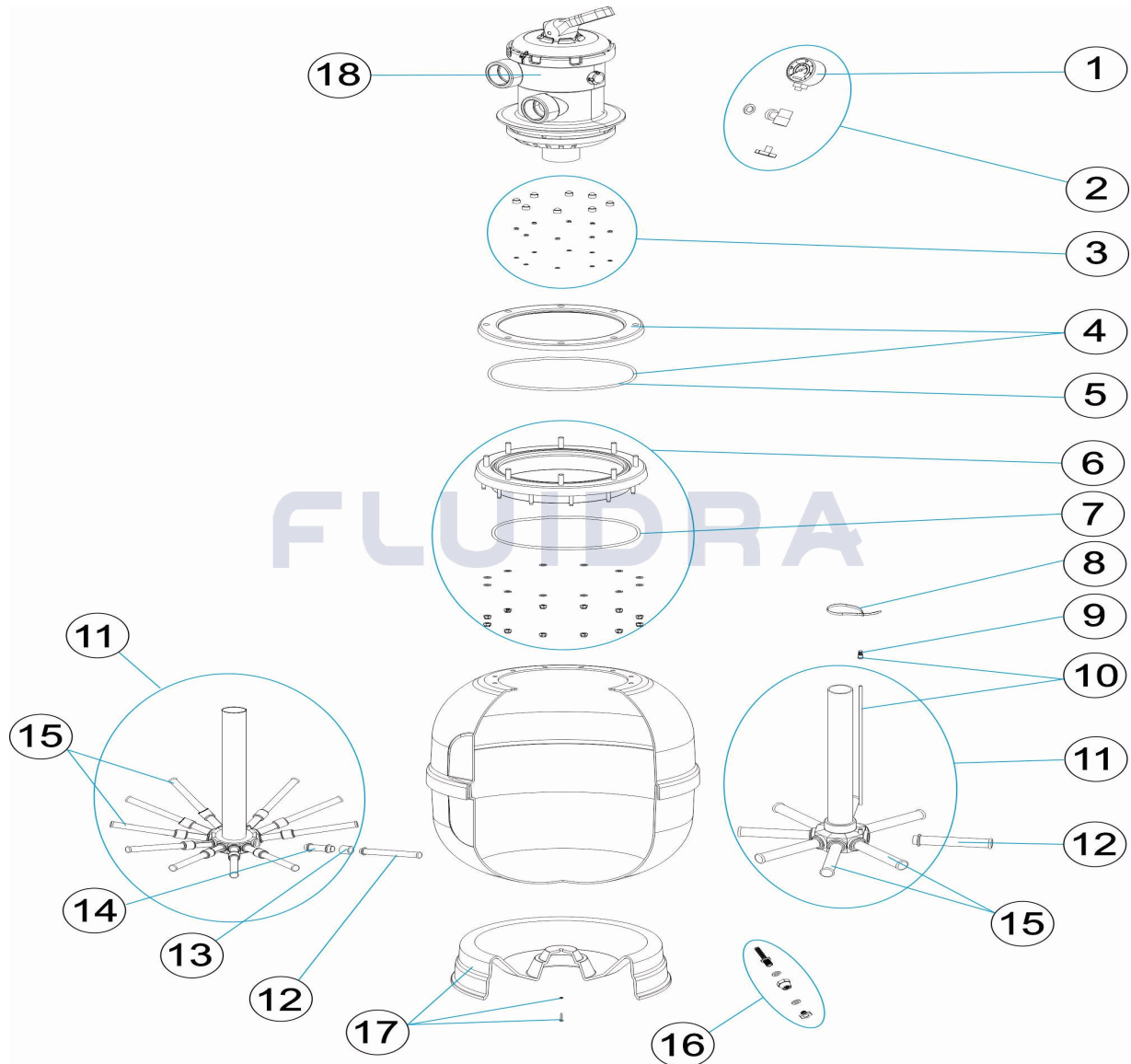
## OBSERVACIONES

POS	CODIGO	OBSERVACIONES
10	* SP-04-0183	PARA: FT-350, FST-350, FT-450, FST-450
10	* SP-04-0184	PARA: FT-500, FST-500, FT-550, FST-550, FT-600, FST-600, FT-650, FST-650, FT-680, FST-680
10	* SP-04-0186	PARA: FT-750, FST-750, FT-800, FST-800, FT-900, FST-900, FT-950, FST-950
11	* SP-04-0190	PARA: FT-350, FST-350
11	* SP-04-0191	PARA: FT-450, FST-450
11	* SP-04-0192	PARA: FT-500, FST-500
11	* SP-04-0193	PARA: FT-550, FST-550
11	* SP-04-0194	PARA: FT-600, FST-600
11	* SP-04-0195	PARA: FT-650, FST-650
11	* SP-04-0196	PARA: FT-680, FST-680
11	* SP-04-0197	PARA: FT-750, FST-750
11	* SP-04-0198	PARA: FT-800, FST-800
11	* SP-04-0199	PARA: FT-900, FST-900
11	* SP-04-0200	PARA: FT-950, FST-950
12	* SP-04-0148	PARA: FT-350 [4UNIDADES], FST-350 [4UNIDADES], FT-450 [4UNIDADES], FST-450 [4UNIDADES], FT-500 [4UNIDADES], FST-500 [4UNIDADES], FT-550 [4UNIDADES], FST-550 [4UNIDADES]
12	* SP-04-0149	PARA: FT-600 [4UNIDADES], FST-600 [4UNIDADES], FT-650 [4UNIDADES], FST-650 [4UNIDADES], FT-680 [4UNIDADES], FST-680 [4UNIDADES]
12	* SP-04-0147	PARA: FT-750 [6UNIDADES], FST-750 [6UNIDADES], FT-950 [6UNIDADES], FST-950 [6UNIDADES]
12	* SP-04-0150	PARA: FT-800 [6UNIDADES], FST-800 [6UNIDADES], FT-900 [6UNIDADES], FST-900 [6UNIDADES]
13	* SP-04-0146	PARA: FT-950 [3UNIDADES], FST-950 [3UNIDADES]
14	* SP-04-0145	PARA: FT-950 [3UNIDADES], FST-950 [3UNIDADES]
15	* SP-04-0151	PARA: FT-350, FST-350, FT-450, FST-450, FT-500, FST-500, FT-550, FST-550
15	* SP-04-0152	PARA: FT-600, FST-600, FT-650, FST-650, FT-680, FST-680
15	* SP-04-0201	PARA: FT-750, FST-750
15	* SP-04-0154	PARA: FST-800, FT-900, FST-900
15	* SP-04-0155	PARA: FT-950, FST-950
17	* SP-04-0135	PARA: FT-350, FST-350
17	* SP-04-0136	PARA: FT-450, FST-450
17	* SP-04-0137	PARA: FT-500, FST-500, FT-550, FST-550
17	* SP-04-0138	PARA: FT-600, FST-600, FT-650, FST-650, FT-680, FST-680
17	* SP-04-0139	PARA: FT-750, FST-750, FT-800, FST-800
17	* SP-04-0140	PARA: FT-900, FST-900, FT-950, FST-950
18	* PS-6403	PARA: FT-350, FT-450, FT-500, FT-550, FT-600, FT-650, FT-680
18	* PS-6404	PARA: FT-750, FT-800, FT-900, FT-950

CODE

FST-350, FST-450, FST-500, FST-550, FST-600, FST-650, FST-680,  
 FST-750, FST-800, FST-900, FST-950, FT-350, FT-450, FT-500, FT-550,  
 FT-600, FT-650, FT-680, FT-750, FT-800, FT-900, FT-950

DESCRIPTION: FILTRES LISBOA TOP


**FRANCAIS**

POS	CODE	DESCRIPTION	QUANTITE	POS	CODE	DESCRIPTION	QUANTITE
1	SP-04-0096	MANOMETRE 1/8" 3 KG./C "		11	* SP-04-0193	ENSEMBLE COLLECTEUR D. 550 TOP 1"	
2	SP-04-0097	MANOMETRE COMPLET		11	* SP-04-0194	ENSEMBLE COLLECTEUR D. 600 TOP 1"	
3	SP-04-0187	VISSERIE DE FERMENTURE COUVERCLE		11	* SP-04-0195	ENSEMBLE COLLECTEUR D. 650 TOP 1"	
4	SP-04-0188	BRIDE DE FIXATION VANNE TOP 1 1/2"		11	* SP-04-0196	ENSEMBLE COLLECTEUR D. 680 TOP 1"	
5	SP-04-0189	JOINT BRIDE FIXATION VANNE TOP		11	* SP-04-0197	ENSEMBLE COLLECTEUR D. 750 TOP 1"	
6	SP-04-0133	BRIDE GORGE 20 VIS		11	* SP-04-0198	ENSEMBLE COLLECTEUR D. 800 1"	
7	SP-04-0134	JOINT TORIQUE 255X4		11	* SP-04-0199	ENSEMBLE COLLECTEUR D. 900 TOP 1"	
8	SP-04-0128	BRIDE		11	* SP-04-0200	ENSEMBLE COLLECTEUR D. 950 1"	
9	SP-04-0129	PURGE D'AIR		12	* SP-04-0148	BRAS DE REPARTITEUR 1" 110 M "	
10	* SP-04-0183	TUBE PVC RIGIDE L-525		12	* SP-04-0149	BRAS DE REPARTITEUR 1" 175 M "	
10	* SP-04-0184	PURGE AIR + TUBE L=670		12	* SP-04-0147	BRAS DE REPARTITEUR 1" 225 M "	

\* VOIR FICHE D'OBSERVATIONS

**CODE**                    **FST-350, FST-450, FST-500, FST-550, FST-600, FST-650, FST-680,**  
**FST-750, FST-800, FST-900, FST-950, FT-350, FT-450, FT-500, FT-550,**  
**FT-600, FT-650, FT-680, FT-750, FT-800, FT-900, FT-950**

**DESCRIPTION: FILTRES LISBOA TOP**

10	* SP-04-0186	TUBE PVC RIGIDE L. 1120 MM	12	* SP-04-0150	BRAS DE REPARTITEUR 1" 265 M/M "
11	* SP-04-0190	ENSEMBLE COLLECTEUR D. 350 TOP 1"	13	* SP-04-0146	MANCHON UNION 1"
11	* SP-04-0191	ENSEMBLE COLLECTEUR D. 450 TOP 1"	14	* SP-04-0145	BRAS DE REPARTITEUR 1" 100M "
11	* SP-04-0192	ENSEMBLE COLLECTEUR D. 500 TOP 1"	15	* SP-04-0151	ENSEMBLE BRAS DE REPARTITEUR D. 400
15	* SP-04-0152	ENSEMBLE BRAS DE REPARTITEUR	17	* SP-04-0137	SOCLE FILTRE
15	* SP-04-0201	ENSEMBLE BRAS DE REPARTITEUR D. 650	17	* SP-04-0138	SOCLE FILTRE D 600
15	* SP-04-0154	ENSEMBLE BRAS DE REPARTITEUR D. 750	17	* SP-04-0139	SOCLE FILTRE D. 800
15	* SP-04-0155	ENSEMBLE BRAS DE REPARTITEUR D. 950	17	* SP-04-0140	SOCLE FILTRE D. 900
16	SP-04-0141	PURGE D'EAU 3/8"	18	* PS-6403	SÉLECTEUR 1 ½" TOP
17	* SP-04-0135	SOCLE FILTRE D. 350	18	* PS-6404	SÉLECTEUR TOP 2"
17	* SP-04-0136	SOCLE FILTRE D. 450			

**CODE**                    **FST-350, FST-450, FST-500, FST-550, FST-600, FST-650, FST-680,**  
**FST-750, FST-800, FST-900, FST-950, FT-350, FT-450, FT-500, FT-550,**  
**FT-600, FT-650, FT-680, FT-750, FT-800, FT-900, FT-950**

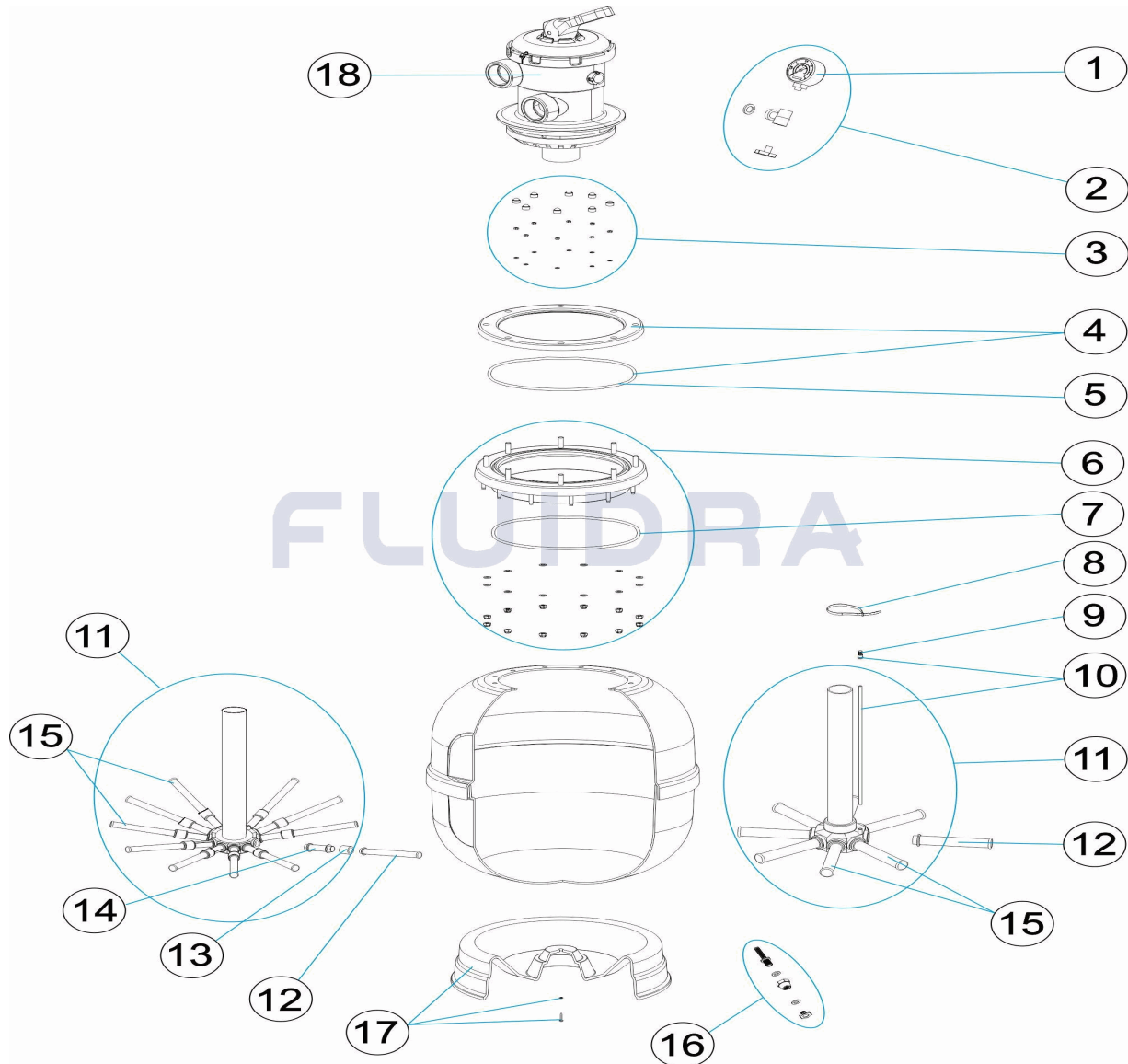
**DESCRIPTION: FILTRES LISBOA TOP**

## OBSERVATIONS

POS	CODE	OBSERVATIONS
10	* SP-04-0183	POUR: FT-350, FST-350, FT-450, FST-450
10	* SP-04-0184	POUR: FT-500, FST-500, FT-550, FST-550, FT-600, FST-600, FT-650, FST-650, FT-680, FST-680
10	* SP-04-0186	POUR: FT-750, FST-750, FT-800, FST-800, FT-900, FST-900, FT-950, FST-950
11	* SP-04-0190	POUR: FT-350, FST-350
11	* SP-04-0191	POUR: FT-450, FST-450
11	* SP-04-0192	POUR: FT-500, FST-500
11	* SP-04-0193	POUR: FT-550, FST-550
11	* SP-04-0194	POUR: FT-600, FST-600
11	* SP-04-0195	POUR: FT-650, FST-650
11	* SP-04-0196	POUR: FT-680, FST-680
11	* SP-04-0197	POUR: FT-750, FST-750
11	* SP-04-0198	POUR: FT-800, FST-800
11	* SP-04-0199	POUR: FT-900, FST-900
11	* SP-04-0200	POUR: FT-950, FST-950
12	* SP-04-0148	POUR: FT-350 [4UT], FST-350 [4UT], FT-450 [4UT], FST-450 [4UT], FT-500 [4UT], FST-500 [4UT], FT-550 [4UT], FST-550 [4UT]
12	* SP-04-0149	POUR: FT-600 [4UT], FST-600 [4UT], FT-650 [4UT], FST-650 [4UT], FT-680 [4UT], FST-680 [4UT]
12	* SP-04-0147	POUR: FT-750 [6UT], FST-750 [6UT], FT-950 [6UT], FST-950 [6UT]
12	* SP-04-0150	POUR: FT-800 [6UT], FST-800 [6UT], FT-900 [6UT], FST-900 [6UT]
13	* SP-04-0146	POUR: FT-950 [3UT], FST-950 [3UT]
14	* SP-04-0145	POUR: FT-950 [3UT], FST-950 [3UT]
15	* SP-04-0151	POUR: FT-350, FST-350, FT-450, FST-450, FT-500, FST-500, FT-550, FST-550
15	* SP-04-0152	POUR: FT-600, FST-600, FT-650, FST-650, FT-680, FST-680
15	* SP-04-0201	POUR: FT-750, FST-750
15	* SP-04-0154	POUR: FST-800, FT-900, FST-900
15	* SP-04-0155	POUR: FT-950, FST-950
17	* SP-04-0135	POUR: FT-350, FST-350
17	* SP-04-0136	POUR: FT-450, FST-450
17	* SP-04-0137	POUR: FT-500, FST-500, FT-550, FST-550
17	* SP-04-0138	POUR: FT-600, FST-600, FT-650, FST-650, FT-680, FST-680
17	* SP-04-0139	POUR: FT-750, FST-750, FT-800, FST-800
17	* SP-04-0140	POUR: FT-900, FST-900, FT-950, FST-950
18	* PS-6403	POUR: FT-350, FT-450, FT-500, FT-550, FT-600, FT-650, FT-680
18	* PS-6404	POUR: FT-750, FT-800, FT-900, FT-950

CODE **FST-350, FST-450, FST-500, FST-550, FST-600, FST-650, FST-680, FST-750, FST-800, FST-900, FST-950, FT-350, FT-450, FT-500, FT-550, FT-600, FT-650, FT-680, FT-750, FT-800, FT-900, FT-950**

DESCRIPTION: LISBOA FILTERS TOP



**ENGLISH**

POS	CODE	DESCRIPTION	QUANTITY	POS	CODE	DESCRIPTION	QUANTITY
1	SP-04-0096	PRESSURE GAUGE 1/8" 3 KG./C "		11	* SP-04-0193	MANIFOLD ASSEMBLY D. 550 TOP 1"	
2	SP-04-0097	COMPLETE PRESSURE GAUGE UNIT		11	* SP-04-0194	MANIFOLD ASSEMBLY D. 600 TOP 1"	
3	SP-04-0187	SCREW SET FOR LID CLOSING		11	* SP-04-0195	MANIFOLD ASSEMBLY D. 650 TOP 1"	
4	SP-04-0188	1 1/2" VALVE TOP FIXING RIN "		11	* SP-04-0196	MANIFOLD ASSEMBLY D. 680 TOP 1"	
5	SP-04-0189	VALVE TOP RING FIXING GASKET		11	* SP-04-0197	MANIFOLD ASSEMBLY D. 750 TOP 1"	
6	SP-04-0133	20-SCREW NECK RING		11	* SP-04-0198	MANIFOLD ASSEMBLY D. 800 1"	
7	SP-04-0134	O' RING 255X4		11	* SP-04-0199	MANIFOLD ASSEMBLY D. 900 TOP 1"	
8	SP-04-0128	FLANGE		11	* SP-04-0200	MANIFOLD ASSEMBLY D. 950 1"	
9	SP-04-0129	AIR PURGE		12	* SP-04-0148	MANIFOLD ARM 1" 110 M "	
10	* SP-04-0183	RIGID PVC PIPE L-525		12	* SP-04-0149	MANIFOLD ARM 1" 175 M "	
10	* SP-04-0184	AIR PURGE + PIPE L=670		12	* SP-04-0147	MANIFOLD ARM 1" 225 M "	



# PARTS BREAKDOWN

REV.: 0  
DATE: 23/05/2022  
SHEET: 2/3

9104

CODE **FST-350, FST-450, FST-500, FST-550, FST-600, FST-650, FST-680,  
FST-750, FST-800, FST-900, FST-950, FT-350, FT-450, FT-500, FT-550,  
FT-600, FT-650, FT-680, FT-750, FT-800, FT-900, FT-950**

DESCRIPTION: **LISBOA FILTERS TOP**

10	* SP-04-0186	RIGID PVC PIPE L-1120 MM	12	* SP-04-0150	COLLECTOR ARM 1" 265 M "
11	* SP-04-0190	MANIFOLD ASSEMBLY D. 350 TOP 1"	13	* SP-04-0146	UNION 1"
11	* SP-04-0191	MANIFOLD ASSEMBLY D. 450 TOP 1"	14	* SP-04-0145	MANIFOLD ARM 1" 100 M "
11	* SP-04-0192	MANIFOLD ASSEMBLY D. 500 TOP 1"	15	* SP-04-0151	MANIFOLD ARM ASSEMBLY D. 400
15	* SP-04-0152	MANIFOLD ARM ASSEMBLY	17	* SP-04-0137	FILTER BASE
15	* SP-04-0201	MANIFOLD ARM ASSEMBLY D. 650	17	* SP-04-0138	FILTER BASE D. 600
15	* SP-04-0154	MANIFOLD ARM ASSEMBLY D. 750	17	* SP-04-0139	FILTER BASE D. 800
15	* SP-04-0155	MANIFOLD ARM ASSEMBLY D. 950-1050	17	* SP-04-0140	FILTER BASE D. 900
16	SP-04-0141	WATER PURGE 3/8"	18	* PS-6403	MULTIPOINT VALVE 1/2" TOP
17	* SP-04-0135	FILTER BASE D. 350	18	* PS-6404	MULTIPOINT VALVE TOP 2"
17	* SP-04-0136	FILTER BASE D. 450			

\* SEE OBSERVATIONS SHEET





# PARTS BREAKDOWN

REV.: 0  
DATE: 23/05/2022  
SHEET: 3/3

9104

CODE **FST-350, FST-450, FST-500, FST-550, FST-600, FST-650, FST-680,  
FST-750, FST-800, FST-900, FST-950, FT-350, FT-450, FT-500, FT-550,  
FT-600, FT-650, FT-680, FT-750, FT-800, FT-900, FT-950**

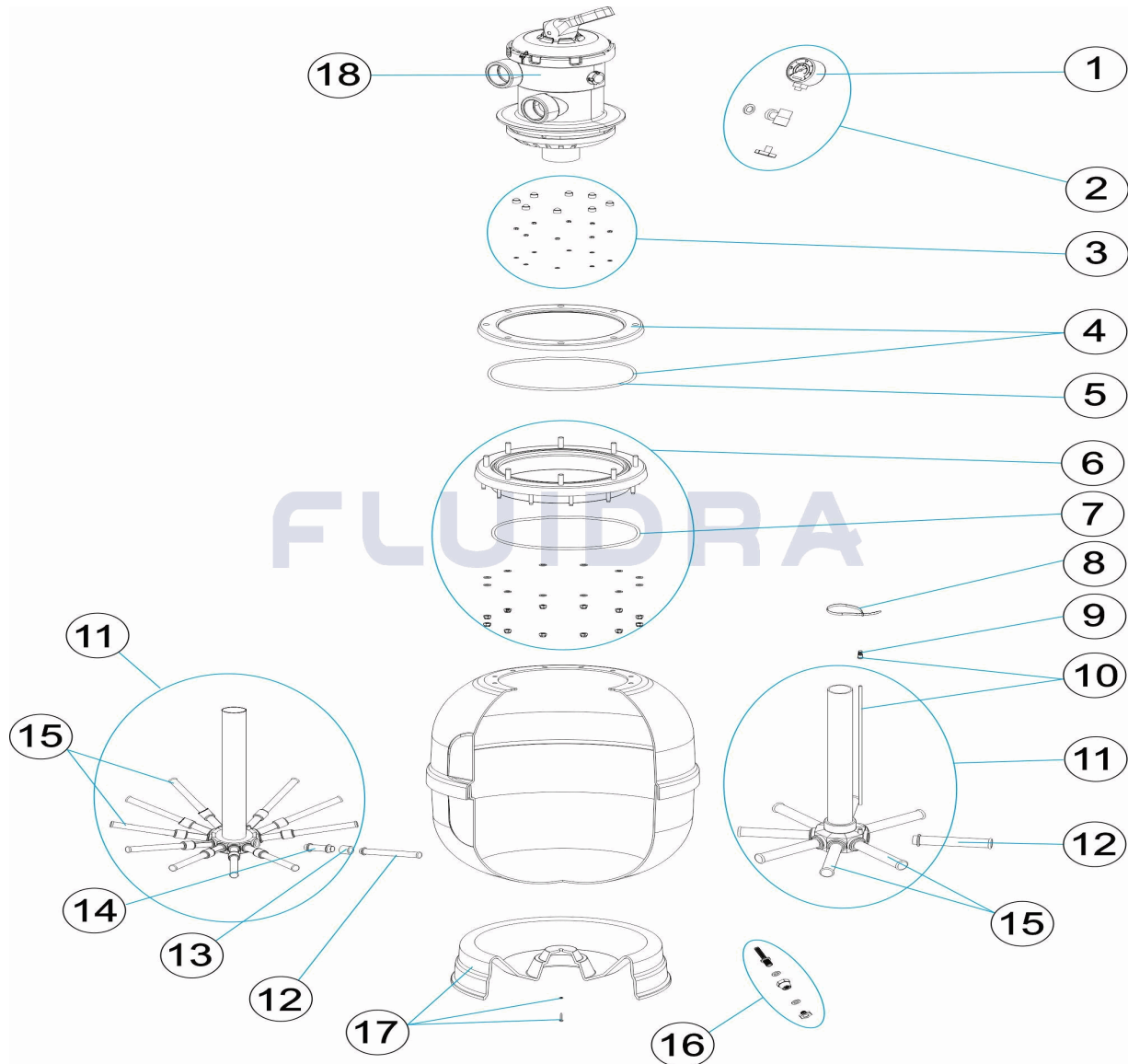
DESCRIPTION: **LISBOA FILTERS TOP**

## OBSERVATIONS

POS	CODE	OBSERVATIONS
10	* SP-04-0183	FOR: FT-350, FST-350, FT-450, FST-450
10	* SP-04-0184	FOR: FT-500, FST-500, FT-550, FST-550, FT-600, FST-600, FT-650, FST-650, FT-680, FST-680
10	* SP-04-0186	FOR: FT-750, FST-750, FT-800, FST-800, FT-900, FST-900, FT-950, FST-950
11	* SP-04-0190	FOR: FT-350, FST-350
11	* SP-04-0191	FOR: FT-450, FST-450
11	* SP-04-0192	FOR: FT-500, FST-500
11	* SP-04-0193	FOR: FT-550, FST-550
11	* SP-04-0194	FOR: FT-600, FST-600
11	* SP-04-0195	FOR: FT-650, FST-650
11	* SP-04-0196	FOR: FT-680, FST-680
11	* SP-04-0197	FOR: FT-750, FST-750
11	* SP-04-0198	FOR: FT-800, FST-800
11	* SP-04-0199	FOR: FT-900, FST-900
11	* SP-04-0200	FOR: FT-950, FST-950
12	* SP-04-0148	FOR: FT-350 [4UT], FST-350 [4UT], FT-450 [4UT], FST-450 [4UT], FT-500 [4UT], FST-500 [4UT], FT-550 [4UT], FST-550 [4UT]
12	* SP-04-0149	FOR: FT-600 [4UT], FST-600 [4UT], FT-650 [4UT], FST-650 [4UT], FT-680 [4UT], FST-680 [4UT]
12	* SP-04-0147	FOR: FT-750 [6UT], FST-750 [6UT], FT-950 [6UT], FST-950 [6UT]
12	* SP-04-0150	FOR: FT-800 [6UT], FST-800 [6UT], FT-900 [6UT], FST-900 [6UT]
13	* SP-04-0146	FOR: FT-950 [3UT], FST-950 [3UT]
14	* SP-04-0145	FOR: FT-950 [3UT], FST-950 [3UT]
15	* SP-04-0151	FOR: FT-350, FST-350, FT-450, FST-450, FT-500, FST-500, FT-550, FST-550
15	* SP-04-0152	FOR: FT-600, FST-600, FT-650, FST-650, FT-680, FST-680
15	* SP-04-0201	FOR: FT-750, FST-750
15	* SP-04-0154	FOR: FST-800, FT-900, FST-900
15	* SP-04-0155	FOR: FT-950, FST-950
17	* SP-04-0135	FOR: FT-350, FST-350
17	* SP-04-0136	FOR: FT-450, FST-450
17	* SP-04-0137	FOR: FT-500, FST-500, FT-550, FST-550
17	* SP-04-0138	FOR: FT-600, FST-600, FT-650, FST-650, FT-680, FST-680
17	* SP-04-0139	FOR: FT-750, FST-750, FT-800, FST-800
17	* SP-04-0140	FOR: FT-900, FST-900, FT-950, FST-950
18	* PS-6403	FOR: FT-350, FT-450, FT-500, FT-550, FT-600, FT-650, FT-680
18	* PS-6404	FOR: FT-750, FT-800, FT-900, FT-950

**CODICE** FST-350, FST-450, FST-500, FST-550, FST-600, FST-650, FST-680, FST-750, FST-800, FST-900, FST-950, FT-350, FT-450, FT-500, FT-550, FT-600, FT-650, FT-680, FT-750, FT-800, FT-900, FT-950

**DESCRIZIONE:** FILTRI LISBOA TOP



**ITALIANO**

POS	CODICE	DESCRIZIONE	QUANTITA'	POS	CODICE	DESCRIZIONE	QUANTITA'
1	SP-04-0096	MANOMETRO 1/8" 3 KG./C "		11	* SP-04-0193	KIT COLLETORE D. 550 TOP 1"	
2	SP-04-0097	MANOMETRO COMPLETO		11	* SP-04-0194	KIT COLLETORE D. 600 TOP 1"	
3	SP-04-0187	BULLONERIA PER CHISURA COPERCHIO		11	* SP-04-0195	KIT COLLETORE D. 650 TOP 1"	
4	SP-04-0188	FLANGIA FISSAGGIO VALVOLE TOP 1 1/2"		11	* SP-04-0196	KIT COLLETORE D. 680 TOP 1"	
5	SP-04-0189	GUARNIZIONE FLANGIA FISSAGGIO VALVOL		11	* SP-04-0197	KIT COLLETORE D. 750 TOP 1"	
6	SP-04-0133	ANELLO COLLO 20 VITI		11	* SP-04-0198	KIT COLLETORE D. 800 1"	
7	SP-04-0134	O-RING 255X4		11	* SP-04-0199	KIT COLLETORE D. 900 TOP 1"	
8	SP-04-0128	FLANGIA		11	* SP-04-0200	KIT COLLETORE D. 950 1"	
9	SP-04-0129	SFIATO ARIA		12	* SP-04-0148	CANDELOTTO COLLECTORE 1" 110 M "	
10	* SP-04-0183	TUBO PVC RIGIDO L-525		12	* SP-04-0149	CANDELOTTO COLLECTORE 1" 175 M "	
10	* SP-04-0184	SPURGO ARIA + TUBO L=670		12	* SP-04-0147	CANDELOTTO COLLECTORE 1" 225 M "	

**CODICE**                    **FST-350, FST-450, FST-500, FST-550, FST-600, FST-650, FST-680,**  
**FST-750, FST-800, FST-900, FST-950, FT-350, FT-450, FT-500, FT-550,**  
**FT-600, FT-650, FT-680, FT-750, FT-800, FT-900, FT-950**

**DESCRIZIONE: FILTRI LISBOA TOP**

10	* SP-04-0186	TUBO PVC RIGIDO L, 1120 MM	12	* SP-04-0150	CANDELOTTO 1" 265 M/M "
11	* SP-04-0190	KIT COLLETTORE D. 350 TOP 1"	13	* SP-04-0146	MANICOTTO DA 1" PER CANDELOTT "
11	* SP-04-0191	KIT COLLETTORE D. 450 TOP 1"	14	* SP-04-0145	CANDELOTTO COLLECTORE 1" 100M "
11	* SP-04-0192	KIT COLLETTORE D. 500 TOP 1"	15	* SP-04-0151	GRUPPO CANDELOTTO COLLECTORE D. 4
15	* SP-04-0152	GRUPPO CANDELOTTO COLLECTORE	17	* SP-04-0137	BASE FILTRO
15	* SP-04-0201	GRUPPO CANDELOTTO COLLECTORE D. €	17	* SP-04-0138	BASE FILTRO D 600
15	* SP-04-0154	GRUPPO CANDELOTTO COLLECTORE D. ÿ	17	* SP-04-0139	BASE FILTRO D. 800
15	* SP-04-0155	GRUPPO CANDELOTTO COLLECTORE D. €	17	* SP-04-0140	BASE FILTRO D. 900
16	SP-04-0141	SCARICO ACQUA 3/8"	18	* PS-6403	VALVOLA SELETRICE 1 ½" TOP
17	* SP-04-0135	BASE FILTRO D. 350	18	* PS-6404	VALVOLA SELETRICE TOP 2"
17	* SP-04-0136	BASE FILTRO D. 450			

**CODICE**                    **FST-350, FST-450, FST-500, FST-550, FST-600, FST-650, FST-680,  
 FST-750, FST-800, FST-900, FST-950, FT-350, FT-450, FT-500, FT-550,  
 FT-600, FT-650, FT-680, FT-750, FT-800, FT-900, FT-950**

**DESCRIZIONE: FILTRI LISBOA TOP**

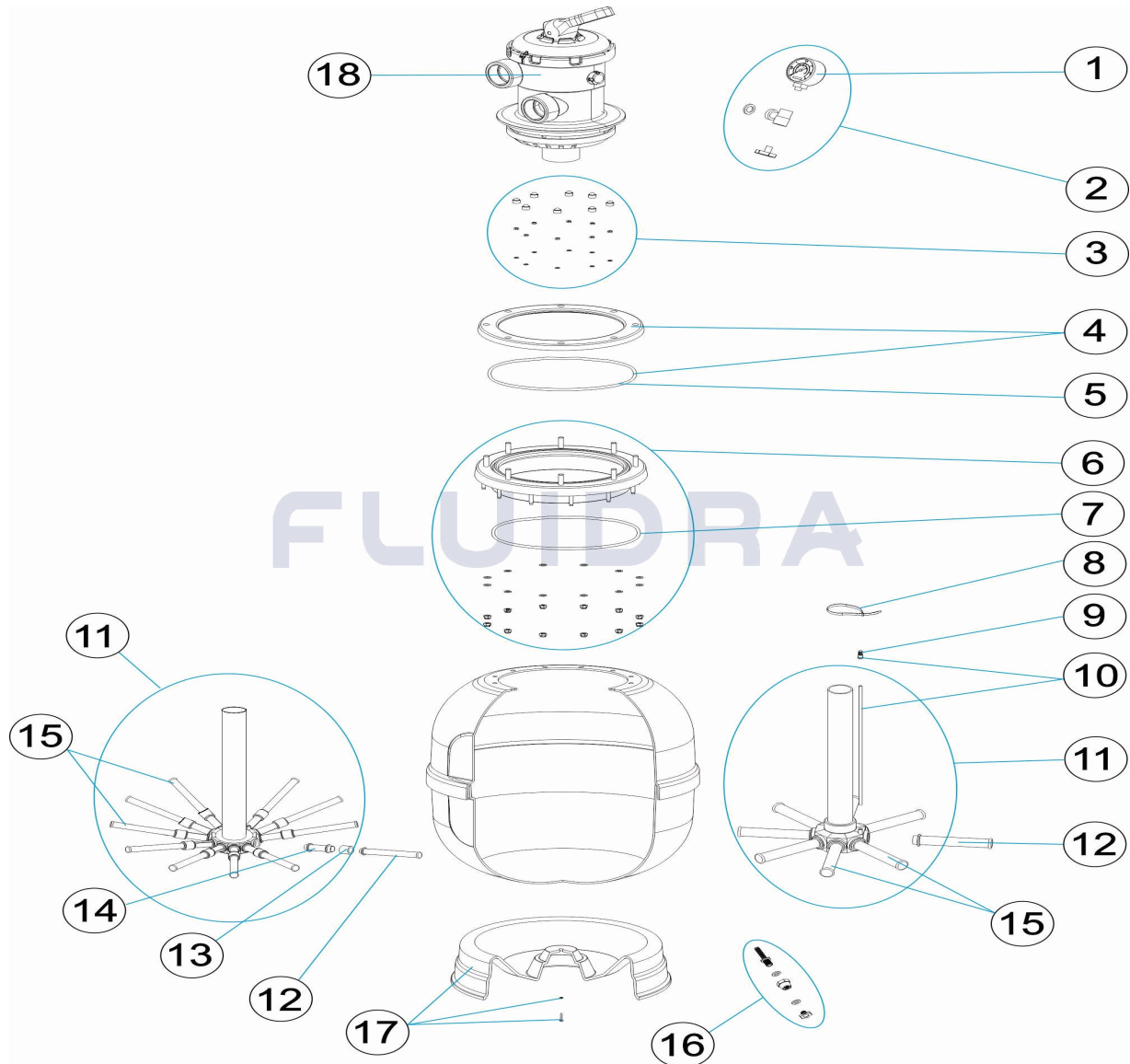
## OSSERVAZIONI

POS	CODICE	OSSERVAZIONI
10	* SP-04-0183	PER: FT-350, FST-350, FT-450, FST-450
10	* SP-04-0184	PER: FT-500, FST-500, FT-550, FST-550, FT-600, FST-600, FT-650, FST-650, FT-680, FST-680
10	* SP-04-0186	PER: FT-750, FST-750, FT-800, FST-800, FT-900, FST-900, FT-950, FST-950
11	* SP-04-0190	PER: FT-350, FST-350
11	* SP-04-0191	PER: FT-450, FST-450
11	* SP-04-0192	PER: FT-500, FST-500
11	* SP-04-0193	PER: FT-550, FST-550
11	* SP-04-0194	PER: FT-600, FST-600
11	* SP-04-0195	PER: FT-650, FST-650
11	* SP-04-0196	PER: FT-680, FST-680
11	* SP-04-0197	PER: FT-750, FST-750
11	* SP-04-0198	PER: FT-800, FST-800
11	* SP-04-0199	PER: FT-900, FST-900
11	* SP-04-0200	PER: FT-950, FST-950
12	* SP-04-0148	PER: FT-350 [4UT], FST-350 [4UT], FT-450 [4UT], FST-450 [4UT], FT-500 [4UT], FST-500 [4UT], FT-550 [4UT], FST-550 [4UT]
12	* SP-04-0149	PER: FT-600 [4UT], FST-600 [4UT], FT-650 [4UT], FST-650 [4UT], FT-680 [4UT], FST-680 [4UT]
12	* SP-04-0147	PER: FT-750 [6UT], FST-750 [6UT], FT-950 [6UT], FST-950 [6UT]
12	* SP-04-0150	PER: FT-800 [6UT], FST-800 [6UT], FT-900 [6UT], FST-900 [6UT]
13	* SP-04-0146	PER: FT-950 [3UT], FST-950 [3UT]
14	* SP-04-0145	PER: FT-950 [3UT], FST-950 [3UT]
15	* SP-04-0151	PER: FT-350, FST-350, FT-450, FST-450, FT-500, FST-500, FT-550, FST-550
15	* SP-04-0152	PER: FT-600, FST-600, FT-650, FST-650, FT-680, FST-680
15	* SP-04-0201	PER: FT-750, FST-750
15	* SP-04-0154	PER: FST-800, FT-900, FST-900
15	* SP-04-0155	PER: FT-950, FST-950
17	* SP-04-0135	PER: FT-350, FST-350
17	* SP-04-0136	PER: FT-450, FST-450
17	* SP-04-0137	PER: FT-500, FST-500, FT-550, FST-550
17	* SP-04-0138	PER: FT-600, FST-600, FT-650, FST-650, FT-680, FST-680
17	* SP-04-0139	PER: FT-750, FST-750, FT-800, FST-800
17	* SP-04-0140	PER: FT-900, FST-900, FT-950, FST-950
18	* PS-6403	PER: FT-350, FT-450, FT-500, FT-550, FT-600, FT-650, FT-680
18	* PS-6404	PER: FT-750, FT-800, FT-900, FT-950

CODE

FST-350, FST-450, FST-500, FST-550, FST-600, FST-650, FST-680,  
 FST-750, FST-800, FST-900, FST-950, FT-350, FT-450, FT-500, FT-550,  
 FT-600, FT-650, FT-680, FT-750, FT-800, FT-900, FT-950

BESCHREIBUNG: FILTER LISBOA TOP



DEUTSCH

POS	CODE	BESCHREIBUNG	MENGE	POS	CODE	BESCHREIBUNG	MENGE
1	SP-04-0096	MANOMETER 1/8" 3 KG/C "		11	* SP-04-0193	SAMMELROHRSET D. 550 TOP 1"	
2	SP-04-0097	MANOMETER KOMPLETT		11	* SP-04-0194	SAMMELROHRSET D. 600 TOP 1"	
3	SP-04-0187	SCHRAUBENSATZ SCHLISSVORRICHTUN		11	* SP-04-0195	SAMMELROHRSET D. 650 TOP 1"	
4	SP-04-0188	FIXIERRING VENTIL TOP 1 1/2"		11	* SP-04-0196	SAMMELROHRSET D. 680 TOP 1"	
5	SP-04-0189	DICHTUNG FIXIERRING VENTIL		11	* SP-04-0197	SAMMELROHRSET D. 750 TOP 1"	
6	SP-04-0133	FILTERRING 20 SCHRAUBEN		11	* SP-04-0198	SAMMELROHRSET ASTER D. 800 TOP 1"	
7	SP-04-0134	O-RING 255 X 4		11	* SP-04-0199	SAMMELROHRSET D. 900 TOP 1"	
8	SP-04-0128	FLANSCH		11	* SP-04-0200	SAMMELROHRSET D. 950 TOP 1"	
9	SP-04-0129	ENTLÜFTUNG		12	* SP-04-0148	FILTERSTERN-SCHLITZROHR 1" 110 M "	
10	* SP-04-0183	ROHR PVC HART L - 525		12	* SP-04-0149	FILTERSTERN-SCHLITZROHR 1" 175 M "	
10	* SP-04-0184	ENTLÜFTUNG UND ROHR L=670		12	* SP-04-0147	FILTERSTERN-SCHLITZROHR 1" 225 M "	

\* SIEHE ANMERKUGSBLATT



# EINZELTEILE

ÜBER.: 0

9104

DATUM: 23/05/2022

BLATT: 2/3

CODE **FST-350, FST-450, FST-500, FST-550, FST-600, FST-650, FST-680,  
FST-750, FST-800, FST-900, FST-950, FT-350, FT-450, FT-500, FT-550,  
FT-600, FT-650, FT-680, FT-750, FT-800, FT-900, FT-950**

BESCHREIBUNG: **FILTER LISBOA TOP**

10	* SP-04-0186	ROHR PVC HART L, 1120 MM	12	* SP-04-0150	FILTERSTERN-SCHLITZROHR 1" 265 M "
11	* SP-04-0190	SAMMELROHRSET D. 350 TOP 1"	13	* SP-04-0146	NIPPEL ANSCHLUSSVERBINDUNG 1"
11	* SP-04-0191	SAMMELROHRSET D. 450 TOP 1"	14	* SP-04-0145	FILTERSTERN-SCHLITZROHR 1" 100 M "
11	* SP-04-0192	SAMMELROHRSET D. 500 TOP 1"	15	* SP-04-0151	SET FILTERSTERN-SCHLITZROHR D. 400
15	* SP-04-0152	SET FILTERSTERN-SCHLITZROHR	17	* SP-04-0137	FILTERFUSS
15	* SP-04-0201	SET FILTERSTERN-SCHLITZROHR D. 650	17	* SP-04-0138	FILTERFUSS D. 600
15	* SP-04-0154	SET FILTERSTERN-SCHLITZROHR D. 750	17	* SP-04-0139	FILTERFUSS D. 800
15	* SP-04-0155	SET FILTERSTERN-SCHLITZROHR D. 950 -	17	* SP-04-0140	FILTERFUSS D. 900
16	SP-04-0141	WASSERABLASS 3/8"	18	* PS-6403	MEHRWEGVENTIL 1 1/2" TOP
17	* SP-04-0135	FILTERFUSS D. 350	18	* PS-6404	MEHRWEGVENTIL TOP 2"
17	* SP-04-0136	FILTERFUSS D. 450			

\* SIEHE ANMERKUNGSBLATT

**CODE**                    **FST-350, FST-450, FST-500, FST-550, FST-600, FST-650, FST-680,**  
**FST-750, FST-800, FST-900, FST-950, FT-350, FT-450, FT-500, FT-550,**  
**FT-600, FT-650, FT-680, FT-750, FT-800, FT-900, FT-950**

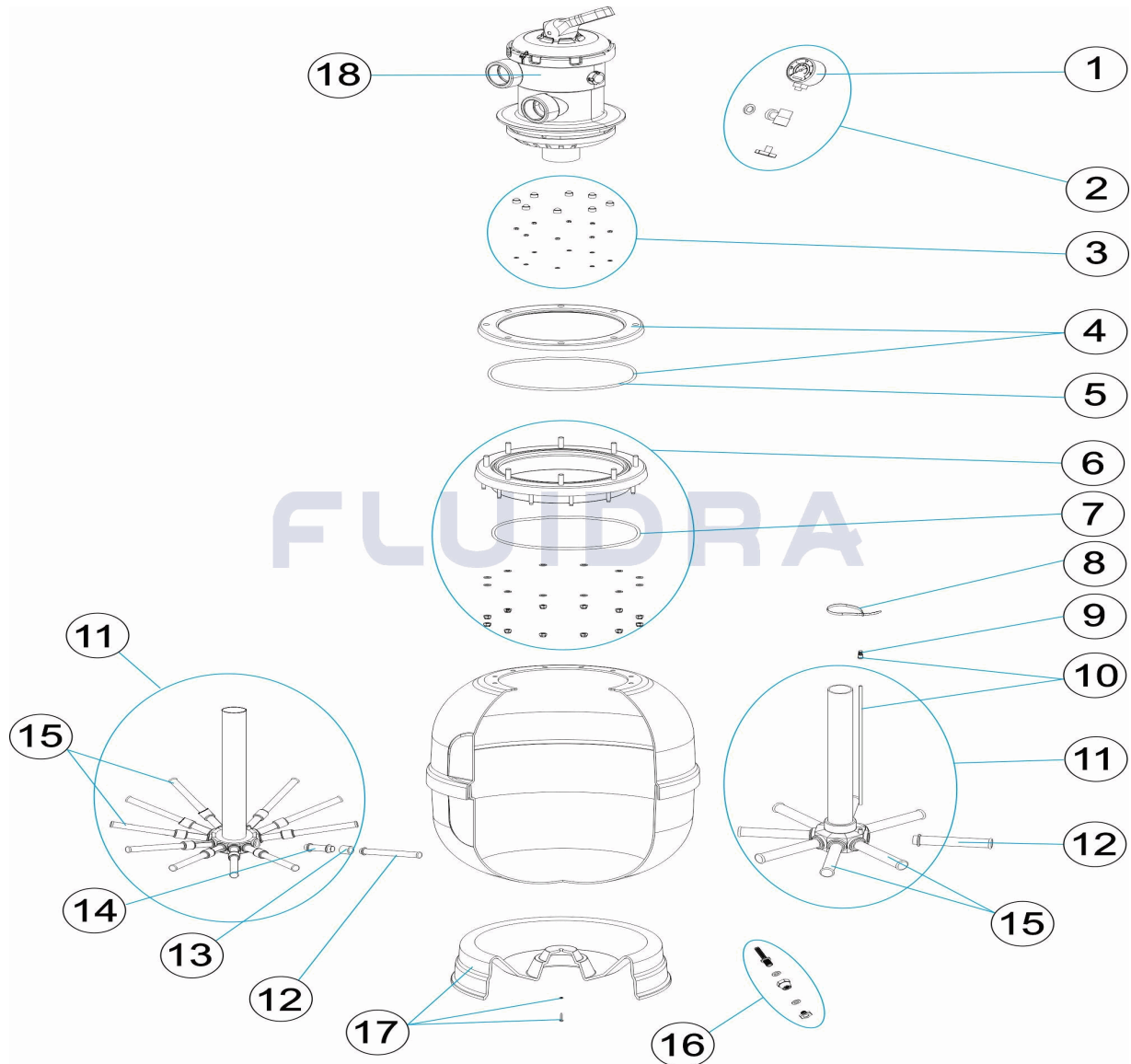
**BESCHREIBUNG: FILTER LISBOA TOP**

## HINWEISE

POS	CODE	HINWEISE
10	* SP-04-0183	FÜR: FT-350, FST-350, FT-450, FST-450
10	* SP-04-0184	FÜR: FT-500, FST-500, FT-550, FST-550, FT-600, FST-600, FT-650, FST-650, FT-680, FST-680
10	* SP-04-0186	FÜR: FT-750, FST-750, FT-800, FST-800, FT-900, FST-900, FT-950, FST-950
11	* SP-04-0190	FÜR: FT-350, FST-350
11	* SP-04-0191	FÜR: FT-450, FST-450
11	* SP-04-0192	FÜR: FT-500, FST-500
11	* SP-04-0193	FÜR: FT-550, FST-550
11	* SP-04-0194	FÜR: FT-600, FST-600
11	* SP-04-0195	FÜR: FT-650, FST-650
11	* SP-04-0196	FÜR: FT-680, FST-680
11	* SP-04-0197	FÜR: FT-750, FST-750
11	* SP-04-0198	FÜR: FT-800, FST-800
11	* SP-04-0199	FÜR: FT-900, FST-900
11	* SP-04-0200	FÜR: FT-950, FST-950
12	* SP-04-0148	FÜR: FT-350 [4UT], FST-350 [4UT], FT-450 [4UT], FST-450 [4UT], FT-500 [4UT], FST-500 [4UT], FT-550 [4UT], FST-550 [4UT]
12	* SP-04-0149	FÜR: FT-600 [4UT], FST-600 [4UT], FT-650 [4UT], FST-650 [4UT], FT-680 [4UT], FST-680 [4UT]
12	* SP-04-0147	FÜR: FT-750 [6UT], FST-750 [6UT], FT-950 [6UT], FST-950 [6UT]
12	* SP-04-0150	FÜR: FT-800 [6UT], FST-800 [6UT], FT-900 [6UT], FST-900 [6UT]
13	* SP-04-0146	FÜR: FT-950 [3UT], FST-950 [3UT]
14	* SP-04-0145	FÜR: FT-950 [3UT], FST-950 [3UT]
15	* SP-04-0151	FÜR: FT-350, FST-350, FT-450, FST-450, FT-500, FST-500, FT-550, FST-550
15	* SP-04-0152	FÜR: FT-600, FST-600, FT-650, FST-650, FT-680, FST-680
15	* SP-04-0201	FÜR: FT-750, FST-750
15	* SP-04-0154	FÜR: FST-800, FT-900, FST-900
15	* SP-04-0155	FÜR: FT-950, FST-950
17	* SP-04-0135	FÜR: FT-350, FST-350
17	* SP-04-0136	FÜR: FT-450, FST-450
17	* SP-04-0137	FÜR: FT-500, FST-500, FT-550, FST-550
17	* SP-04-0138	FÜR: FT-600, FST-600, FT-650, FST-650, FT-680, FST-680
17	* SP-04-0139	FÜR: FT-750, FST-750, FT-800, FST-800
17	* SP-04-0140	FÜR: FT-900, FST-900, FT-950, FST-950
18	* PS-6403	FÜR: FT-350, FT-450, FT-500, FT-550, FT-600, FT-650, FT-680
18	* PS-6404	FÜR: FT-750, FT-800, FT-900, FT-950

**CODIGO** FST-350, FST-450, FST-500, FST-550, FST-600, FST-650, FST-680, FST-750, FST-800, FST-900, FST-950, FT-350, FT-450, FT-500, FT-550, FT-600, FT-650, FT-680, FT-750, FT-800, FT-900, FT-950

**DESCRICAÇÃO:** FILTROS LISBOA TOP



**PORTUGUES**

POS	CODIGO	DESCRICAÇÃO	JANTIDADE	POS	CODIGO	DESCRICAÇÃO	JANTIDADE
1	SP-04-0096	MANOMETRO 1/8" 3 KG./C "		11	* SP-04-0193	CJTO. COLECTOR D. 550 TOP 1"	
2	SP-04-0097	MANÓMETRO COMPLETO		11	* SP-04-0194	CJTO. COLECTOR D. 600 TOP 1"	
3	SP-04-0187	PARAFUSOS FECHO TAMPA		11	* SP-04-0195	CJTO. COLECTOR D. 650 TOP 1"	
4	SP-04-0188	ARO FIXAÇÃO VALVULA TOP 1 1/2"		11	* SP-04-0196	CJTO. COLECTOR D. 680 TOP 1"	
5	SP-04-0189	JUNTA ARO FIXAÇÃO VALVULA TOP		11	* SP-04-0197	CJTO. COLECTOR D. 750 TOP 1"	
6	SP-04-0133	ARO PESCOCOÇO 20 PARAFUSOS		11	* SP-04-0198	CJTO. COLECTOR D. 800 1"	
7	SP-04-0134	JUNTA TÓRICA 255X4		11	* SP-04-0199	CJTO. COLECTOR D. 900 TOP 1"	
8	SP-04-0128	FLANGE		11	* SP-04-0200	CJTO. COLECTOR D. 950 1"	
9	SP-04-0129	PURGA AREIA		12	* SP-04-0148	BRAÇO COLECTOR 1" 110 M "	
10	* SP-04-0183	TUBO PVC RÍGIDO L-525		12	* SP-04-0149	BRAÇO COLECTOR 1" 175 M "	
10	* SP-04-0184	PURGA AR + TUBO L=670		12	* SP-04-0147	BRAÇO COLECTOR 1" 225 M "	



**CODIGO**                    **FST-350, FST-450, FST-500, FST-550, FST-600, FST-650, FST-680, FST-750, FST-800, FST-900, FST-950, FT-350, FT-450, FT-500, FT-550, FT-600, FT-650, FT-680, FT-750, FT-800, FT-900, FT-950**

**DESCRIÇÃO: FILTROS LISBOA TOP**

10	* SP-04-0186	TUBO PVC RÍGIDO L, 1120 MM	12	* SP-04-0150	BRAÇO COLECTOR 1" 265 M/M "
11	* SP-04-0190	CJTO. COLECTOR D. 350 TOP 1"	13	* SP-04-0146	RACCORD UNIÃO 1"
11	* SP-04-0191	CJTO. COLECTOR D. 450 TOP 1"	14	* SP-04-0145	BRAÇO COLECTOR 1" 100M "
11	* SP-04-0192	CJTO. COLECTOR D. 500 TOP 1"	15	* SP-04-0151	CJTO. BRAÇO COLECTOR D. 400
15	* SP-04-0152	CJTO. BRAÇO COLECTOR	17	* SP-04-0137	PÉ FILTRO
15	* SP-04-0201	CJTO. BRAÇO COLECTOR D.650	17	* SP-04-0138	PÉ FILTRO D 600
15	* SP-04-0154	CJTO. BRAÇO COLECTOR D. 750	17	* SP-04-0139	PÉ FILTRO D. 800
15	* SP-04-0155	CJTO. BRAÇO COLECTOR D.950-1050	17	* SP-04-0140	PÉ FILTRO D. 900
16	SP-04-0141	PURGA AGUA 3/8"	18	* PS-6403	VÁLVULA SELETORA 1 ½" TOP
17	* SP-04-0135	PÉ FILTRO D. 350	18	* PS-6404	VÁLVULA SELETORA TOP 2"
17	* SP-04-0136	PÉ FILTRO D. 450			

**CODIGO**                    **FST-350, FST-450, FST-500, FST-550, FST-600, FST-650, FST-680, FST-750, FST-800, FST-900, FST-950, FT-350, FT-450, FT-500, FT-550, FT-600, FT-650, FT-680, FT-750, FT-800, FT-900, FT-950**

**DESCRIÇÃO: FILTROS LISBOA TOP**

## OBSERVACÕES

POS	CODIGO	OBSERVACÕES
10	* SP-04-0183	PARA: FT-350, FST-350, FT-450, FST-450
10	* SP-04-0184	PARA: FT-500, FST-500, FT-550, FST-550, FT-600, FST-600, FT-650, FST-650, FT-680, FST-680
10	* SP-04-0186	PARA: FT-750, FST-750, FT-800, FST-800, FT-900, FST-900, FT-950, FST-950
11	* SP-04-0190	PARA: FT-350, FST-350
11	* SP-04-0191	PARA: FT-450, FST-450
11	* SP-04-0192	PARA: FT-500, FST-500
11	* SP-04-0193	PARA: FT-550, FST-550
11	* SP-04-0194	PARA: FT-600, FST-600
11	* SP-04-0195	PARA: FT-650, FST-650
11	* SP-04-0196	PARA: FT-680, FST-680
11	* SP-04-0197	PARA: FT-750, FST-750
11	* SP-04-0198	PARA: FT-800, FST-800
11	* SP-04-0199	PARA: FT-900, FST-900
11	* SP-04-0200	PARA: FT-950, FST-950
12	* SP-04-0148	PARA: FT-350 [4UT], FST-350 [4UT], FT-450 [4UT], FST-450 [4UT], FT-500 [4UT], FST-500 [4UT], FT-550 [4UT], FST-550 [4UT]
12	* SP-04-0149	PARA: FT-600 [4UT], FST-600 [4UT], FT-650 [4UT], FST-650 [4UT], FT-680 [4UT], FST-680 [4UT]
12	* SP-04-0147	PARA: FT-750 [6UT], FST-750 [6UT], FT-950 [6UT], FST-950 [6UT]
12	* SP-04-0150	PARA: FT-800 [6UT], FST-800 [6UT], FT-900 [6UT], FST-900 [6UT]
13	* SP-04-0146	PARA: FT-950 [3UT], FST-950 [3UT]
14	* SP-04-0145	PARA: FT-950 [3UT], FST-950 [3UT]
15	* SP-04-0151	PARA: FT-350, FST-350, FT-450, FST-450, FT-500, FST-500, FT-550, FST-550
15	* SP-04-0152	PARA: FT-600, FST-600, FT-650, FST-650, FT-680, FST-680
15	* SP-04-0201	PARA: FT-750, FST-750
15	* SP-04-0154	PARA: FST-800, FT-900, FST-900
15	* SP-04-0155	PARA: FT-950, FST-950
17	* SP-04-0135	PARA: FT-350, FST-350
17	* SP-04-0136	PARA: FT-450, FST-450
17	* SP-04-0137	PARA: FT-500, FST-500, FT-550, FST-550
17	* SP-04-0138	PARA: FT-600, FST-600, FT-650, FST-650, FT-680, FST-680
17	* SP-04-0139	PARA: FT-750, FST-750, FT-800, FST-800
17	* SP-04-0140	PARA: FT-900, FST-900, FT-950, FST-950
18	* PS-6403	PARA: FT-350, FT-450, FT-500, FT-550, FT-600, FT-650, FT-680
18	* PS-6404	PARA: FT-750, FT-800, FT-900, FT-950