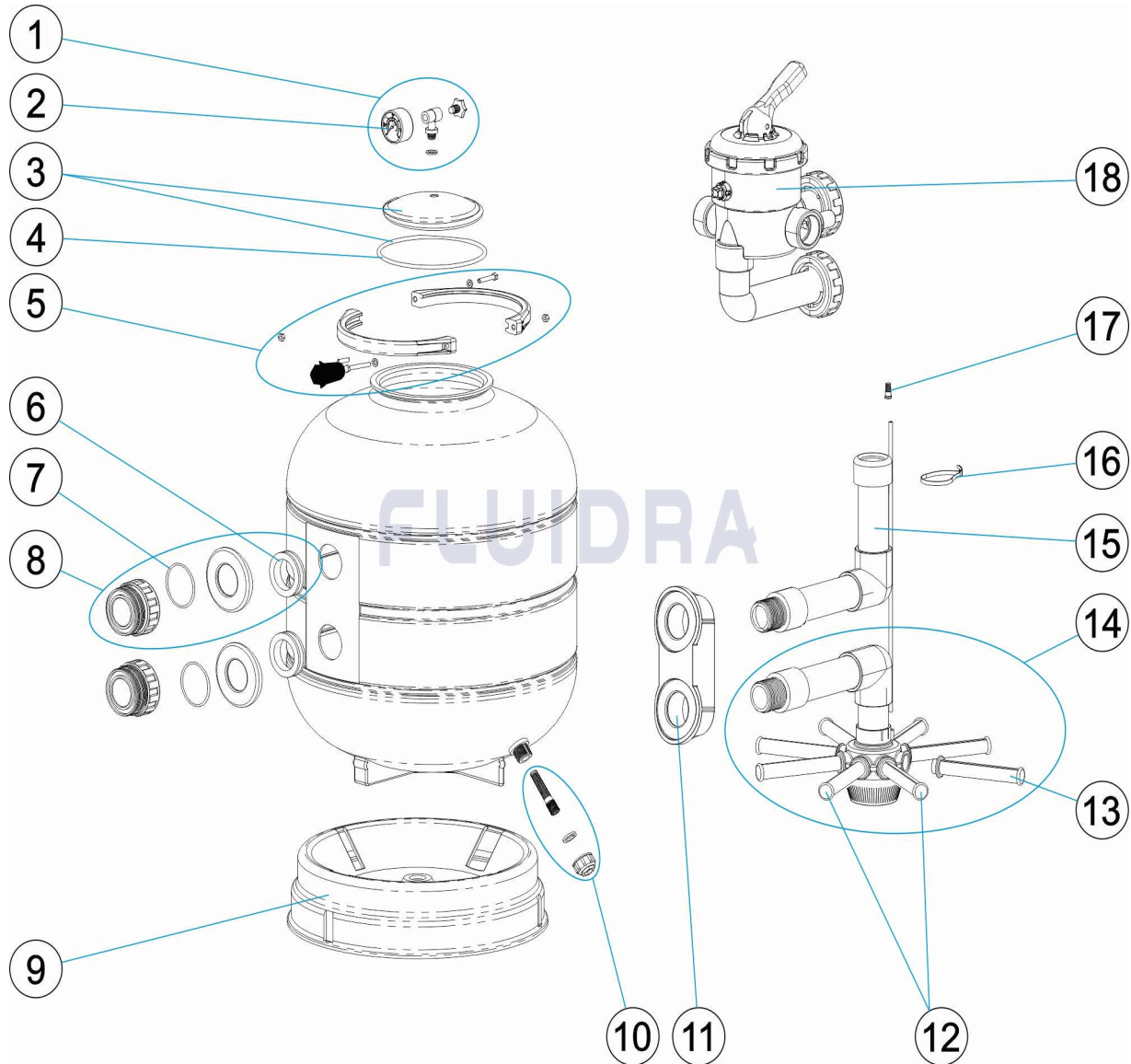


CODIGO
**FEC-400-L, FEC-400-VL, FEC-450-L, FEC-450-VL, FEC-500-L,
 FEC-500-VL, FEC-600-L, FEC-600-VL, MEC-400-L, MEC-400-VL,
 MEC-450-L, MEC-450-VL, MEC-500-L, MEC-500-VL, MEC-600-L,
 MEC-600-VL**
DESCRIPCION: FILTRO ROMA D.400-450-500-600

ESPAÑOL

POS	CODIGO	DESCRIPCION	CANTIDAD	POS	CODIGO	DESCRIPCION	CANTIDAD
1	SP-04-0097	MANOMETRO COMPLETO		13	* SP-04-0017	BRAZO COLECTOR ¼" 110 M "	
2	SP-04-0096	MANOMETRO 1/8" 3 KG/C "		13	* SP-04-0027	BRAZO COLECTOR ¼" 160 M "	
3	SP-04-0114	TAPA TRANSPARENTE + ANILLO		14	* SP-04-0120	CJTO. COLECTOR D. 400	
4	SP-04-0074	JUNTA TORICA TAPA		14	* SP-04-0121	CJTO. COLECTOR D. 450	
5	SP-04-0075	ZUNCHO PLASTICO		14	* SP-04-0122	CJTO. COLECTOR D. 500	
6	SP-04-0115	JUNTA CONCAVA 1 ½"		14	* SP-04-0123	CJTO. COLECTOR D. 600	
7	SP-04-0116	JUNTA TORICA RACCORD 66,04X5,33		15	* SP-04-0124	CJTO. DIFUSOR D. 400	
8	SP-04-0117	RACCORD SALIDA + REFUERZO		15	* SP-04-0125	CJTO. DIFUSOR D. 450	
9	* SP-04-0229	PIE FILTRO D. 400		15	* SP-04-0126	CJTO. DIFUSOR D. 500	
9	* SP-04-0230	PIE FILTRO D.500		15	* SP-04-0127	CJTO. DIFUSOR D. 600	



KIT

REV: 0

9097

FECHA: 20/05/2022

HOJA: 2/3

CODIGO **FEC-400-L, FEC-400-VL, FEC-450-L, FEC-450-VL, FEC-500-L,
FEC-500-VL, FEC-600-L, FEC-600-VL, MEC-400-L, MEC-400-VL,
MEC-450-L, MEC-450-VL, MEC-500-L, MEC-500-VL, MEC-600-L,
MEC-600-VL**

DESCRIPCION: FILTRO ROMA D.400-450-500-600

10	SP-04-0118	PURGA ARENA	16	SP-04-0128	BRIDA
11	SP-04-0119	REFUERZO INTERIOR	17	SP-04-0129	PURGA AIRE
12	* SP-04-0018	CJTO. BRAZOS COLECTOR D. 350 - 400	18	* PS-6103	VALVULA SELECTORA 1 ½"
12	* SP-04-0029	CJTO. BRAZOS COLECTOR D. 450 - 500			



KIT

REV: 0

9097

FECHA: 20/05/2022

HOJA: 3/3

CODIGO **FEC-400-L, FEC-400-VL, FEC-450-L, FEC-450-VL, FEC-500-L, FEC-500-VL, FEC-600-L, FEC-600-VL, MEC-400-L, MEC-400-VL, MEC-450-L, MEC-450-VL, MEC-500-L, MEC-500-VL, MEC-600-L, MEC-600-VL**

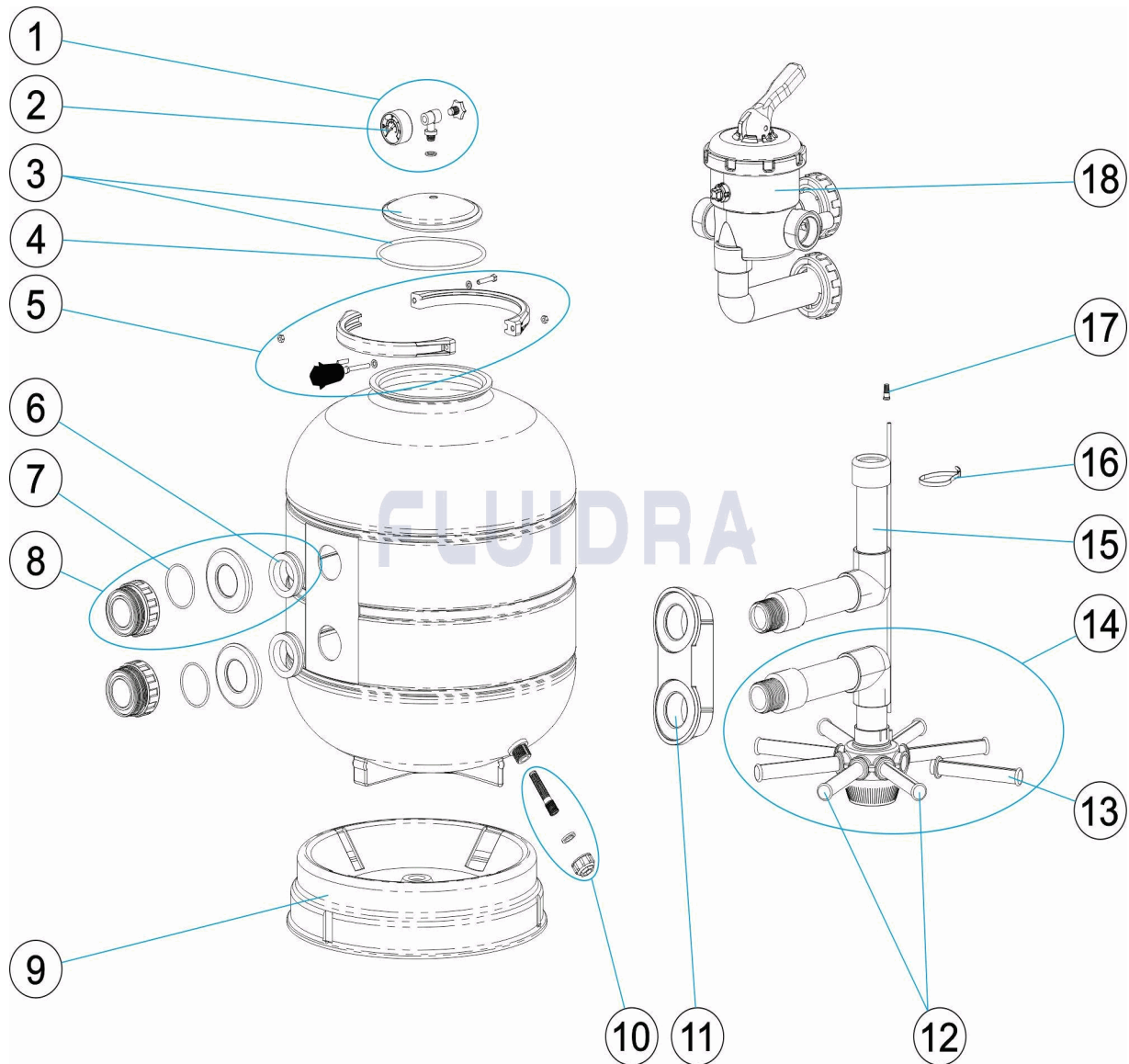
DESCRIPCION: FILTRO ROMA D.400-450-500-600

OBSERVACIONES

POS	CODIGO	OBSERVACIONES
9	* SP-04-0229	PARA: MEC-400-VL, MEC-450-VL, MEC-400-L, MEC-450-L
9	* SP-04-0230	PARA: MEC-500-VL, MEC-600-VL, MEC-500-L, MEC-600-L
12	* SP-04-0018	PARA: FEC-400-VL, FEC-450-VL, MEC-400-VL, MEC-450-VL, FEC-400-L, FEC-450-L, MEC-400-L, MEC-450-L
12	* SP-04-0029	PARA: FEC-500-VL, FEC-600-VL, MEC-500-VL, MEC-600-VL, FEC-500-L, FEC-600-L, MEC-500-L, MEC-600-L
13	* SP-04-0017	PARA: FEC-400-VL [4UNIDADES], FEC-450-VL [4UNIDADES], MEC-400-VL [4UNIDADES], MEC-450-VL [4UNIDADES], FEC-400-L [4UNIDADES], FEC-450-L [4UNIDADES], MEC-400-L [4UNIDADES], MEC-450-L [4UNIDADES]
13	* SP-04-0027	PARA: FEC-500-VL [4UNIDADES], FEC-600-VL [4UNIDADES], MEC-500-VL [4UNIDADES], MEC-600-VL [4UNIDADES], FEC-500-L [4UNIDADES], FEC-600-L [4UNIDADES], MEC-500-L [4UNIDADES], MEC-600-L [4UNIDADES]
14	* SP-04-0120	PARA: FEC-400-VL, MEC-400-VL, FEC-400-L, MEC-400-L
14	* SP-04-0121	PARA: FEC-450-VL, MEC-450-VL, FEC-450-L, MEC-450-L
14	* SP-04-0122	PARA: FEC-500-VL, MEC-500-VL, FEC-500-L, MEC-500-L
14	* SP-04-0123	PARA: FEC-600-VL, MEC-600-VL, FEC-600-L, MEC-600-L
15	* SP-04-0124	PARA: FEC-400-VL, MEC-400-VL, FEC-400-L, MEC-400-L
15	* SP-04-0125	PARA: FEC-450-VL, MEC-450-VL, FEC-450-L, MEC-450-L
15	* SP-04-0126	PARA: FEC-500-VL, MEC-500-VL, FEC-500-L, MEC-500-L
15	* SP-04-0127	PARA: FEC-600-VL, MEC-600-VL, FEC-600-L, MEC-600-L
18	* PS-6103	PARA: FEC-400-VL, FEC-450-VL, FEC-500-VL, FEC-600-VL, MEC-400-VL, MEC-450-VL, MEC-500-VL, MEC-600-VL

CODE **FEC-400-L, FEC-400-VL, FEC-450-L, FEC-450-VL, FEC-500-L, FEC-500-VL, FEC-600-L, FEC-600-VL, MEC-400-L, MEC-400-VL, MEC-450-L, MEC-450-VL, MEC-500-L, MEC-500-VL, MEC-600-L, MEC-600-VL**

DESCRIPTION: **FILTER ROMA D.400-450-500-600**



FRANCAIS

POS	CODE	DESCRIPTION	QUANTITE	POS	CODE	DESCRIPTION	QUANTITE
1	SP-04-0097	MANOMETRE COMPLET		13	* SP-04-0017	BRAS DE REPARTITEUR 3/4" 110M "	
2	SP-04-0096	MANOMETRE 1/8" 3 KG./C "		13	* SP-04-0027	BRAS DE REPARTITEUR 3/4" 160M "	
3	SP-04-0114	COUVERCLE TRANSPARENT + JOINT		14	* SP-04-0120	ENSEMBLE COLLECTEUR D. 400	
4	SP-04-0074	JOINT TORIQUE COUVERCLE		14	* SP-04-0121	ENSEMBLE COLLECTEUR D. 450	
5	SP-04-0075	ENSEMBLE COLLIER EN PLASTIC		14	* SP-04-0122	ENSEMBLE COLLECTEUR D. 500	
6	SP-04-0115	JOINT CONCAVE 1 1/2"		14	* SP-04-0123	ENSEMBLE COLLECTEUR D. 600	
7	SP-04-0116	JOINT TORIQUE RACCORD SORTIE D.66.0		15	* SP-04-0124	ENSEMBLE DIFFUSEUR D. 400	
8	SP-04-0117	RACCORD SORTIE + RENFORT		15	* SP-04-0125	ENSEMBLE DIFFUSEUR D. 450	
9	* SP-04-0229	SOCLE FILTRE D 400		15	* SP-04-0126	ENSEMBLE DIFFUSEUR D. 500	
9	* SP-04-0230	SOCLE FILTRE D.500		15	* SP-04-0127	ENSEMBLE DIFFUSEUR D. 600	

CODE **FEC-400-L, FEC-400-VL, FEC-450-L, FEC-450-VL, FEC-500-L,**
 FEC-500-VL, FEC-600-L, FEC-600-VL, MEC-400-L, MEC-400-VL,
 MEC-450-L, MEC-450-VL, MEC-500-L, MEC-500-VL, MEC-600-L,
 MEC-600-VL

DESCRIPTION: FILTER ROMA D.400-450-500-600

10	SP-04-0118	PURGE SABLE	16	SP-04-0128	BRIDE
11	SP-04-0119	RENFORT INTERIEUR	17	SP-04-0129	PURGE D'AIR
12	* SP-04-0018	ENSEMBLE BRAS DE REPARTITEUR D. 35(18	* PS-6103	SÉLECTEUR 1 ½"
12	* SP-04-0029	ENSEMBLE BRAS DE REPARTITEUR D. 45(

CODE **FEC-400-L, FEC-400-VL, FEC-450-L, FEC-450-VL, FEC-500-L,**
FEC-500-VL, FEC-600-L, FEC-600-VL, MEC-400-L, MEC-400-VL,
MEC-450-L, MEC-450-VL, MEC-500-L, MEC-500-VL, MEC-600-L,
MEC-600-VL

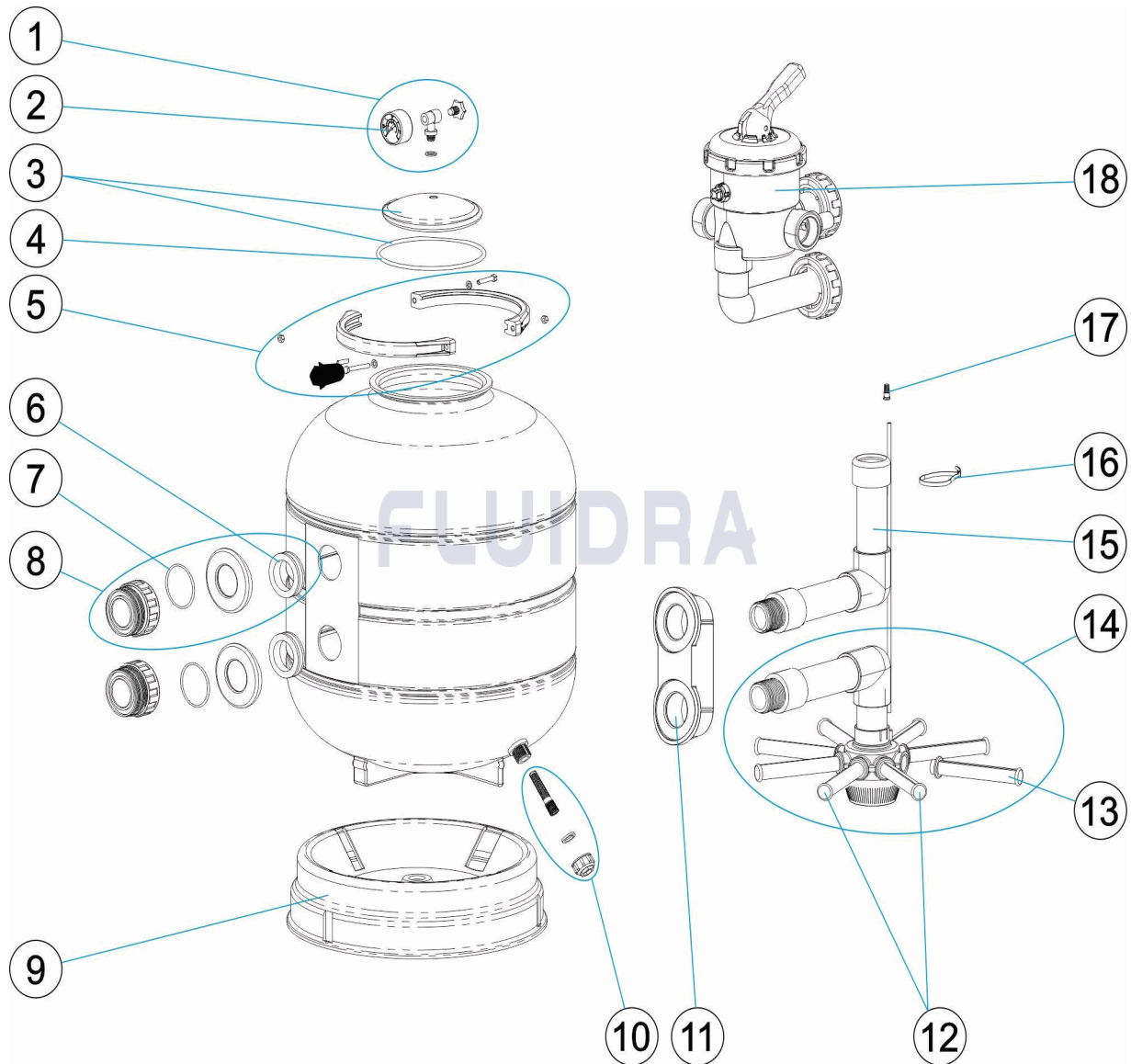
DESCRIPTION: FILTER ROMA D.400-450-500-600

OBSERVATIONS

POS	CODE	OBSERVATIONS
9	* SP-04-0229	POUR: MEC-400-VL, MEC-450-VL, MEC-400-L, MEC-450-L
9	* SP-04-0230	POUR: MEC-500-VL, MEC-600-VL, MEC-500-L, MEC-600-L
12	* SP-04-0018	POUR: FEC-400-VL, FEC-450-VL, MEC-400-VL, MEC-450-VL, FEC-400-L, FEC-450-L, MEC-400-L, MEC-450-L
12	* SP-04-0029	POUR: FEC-500-VL, FEC-600-VL, MEC-500-VL, MEC-600-VL, FEC-500-L, FEC-600-L, MEC-500-L, MEC-600-L
13	* SP-04-0017	POUR: FEC-400-VL [4UT], FEC-450-VL [4UT], MEC-400-VL [4UT], MEC-450-VL [4UT], FEC-400-L [4UT], FEC-450-L [4UT], MEC-400-L [4UT], MEC-450-L [4UT]
13	* SP-04-0027	POUR: FEC-500-VL [4UT], FEC-600-VL [4UT], MEC-500-VL [4UT], MEC-600-VL [4UT], FEC-500-L [4UT], FEC-600-L [4UT], MEC-500-L [4UT], MEC-600-L [4UT]
14	* SP-04-0120	POUR: FEC-400-VL, MEC-400-VL, FEC-400-L, MEC-400-L
14	* SP-04-0121	POUR: FEC-450-VL, MEC-450-VL, FEC-450-L, MEC-450-L
14	* SP-04-0122	POUR: FEC-500-VL, MEC-500-VL, FEC-500-L, MEC-500-L
14	* SP-04-0123	POUR: FEC-600-VL, MEC-600-VL, FEC-600-L, MEC-600-L
15	* SP-04-0124	POUR: FEC-400-VL, MEC-400-VL, FEC-400-L, MEC-400-L
15	* SP-04-0125	POUR: FEC-450-VL, MEC-450-VL, FEC-450-L, MEC-450-L
15	* SP-04-0126	POUR: FEC-500-VL, MEC-500-VL, FEC-500-L, MEC-500-L
15	* SP-04-0127	POUR: FEC-600-VL, MEC-600-VL, FEC-600-L, MEC-600-L
18	* PS-6103	POUR: FEC-400-VL, FEC-450-VL, FEC-500-VL, FEC-600-VL, MEC-400-VL, MEC-450-VL, MEC-500-VL, MEC-600-VL

CODE **FEC-400-L, FEC-400-VL, FEC-450-L, FEC-450-VL, FEC-500-L, FEC-500-VL, FEC-600-L, FEC-600-VL, MEC-400-L, MEC-400-VL, MEC-450-L, MEC-450-VL, MEC-500-L, MEC-500-VL, MEC-600-L, MEC-600-VL**

DESCRIPTION: **ROMA FILTER D.400-450-500-600**



ENGLISH

POS	CODE	DESCRIPTION	QUANTITY	POS	CODE	DESCRIPTION	QUANTITY
1	SP-04-0097	COMPLETE PRESSURE GAUGE UNIT		13	* SP-04-0017	MANIFOLD ARM 3/4" 110 M "	
2	SP-04-0096	PRESSURE GAUGE 1/8" 3 KG./C "		13	* SP-04-0027	MANIFOLD ARM 3/4" 160 M "	
3	SP-04-0114	TRANSPARENT LID + GASKET		14	* SP-04-0120	MANIFOLD ASSEMBLY D. 400	
4	SP-04-0074	LID 'O' RING		14	* SP-04-0121	MANIFOLD ASSEMBLY D. 450	
5	SP-04-0075	PLASTIC V-CLAMP SET		14	* SP-04-0122	MANIFOLD ASSEMBLY D. 500	
6	SP-04-0115	CONCAVE GASKET 1 1/2"		14	* SP-04-0123	MANIFOLD ASSEMBLY D. 600	
7	SP-04-0116	O RING D.66.04X5.33		15	* SP-04-0124	DIFFUSER ASSEMBLY D. 400	
8	SP-04-0117	OUTLET FITTING + REINFORCEMENT		15	* SP-04-0125	DIFFUSER ASSEMBLY D. 450	
9	* SP-04-0229	FILTER BASE D. 400		15	* SP-04-0126	DIFFUSER ASSEMBLY D. 500	
9	* SP-04-0230	FILTER BASE D.500		15	* SP-04-0127	DIFFUSER ASSEMBLY D. 600	



PARTS BREAKDOWN

REV.: 0
DATE: 20/05/2022
SHEET: 2/3

9097

CODE **FEC-400-L, FEC-400-VL, FEC-450-L, FEC-450-VL, FEC-500-L,
FEC-500-VL, FEC-600-L, FEC-600-VL, MEC-400-L, MEC-400-VL,
MEC-450-L, MEC-450-VL, MEC-500-L, MEC-500-VL, MEC-600-L,
MEC-600-VL**

DESCRIPTION: **ROMA FILTER D.400-450-500-600**

10	SP-04-0118	SAND PURGE	16	SP-04-0128	FLANGE
11	SP-04-0119	INNER REINFORCEMENT	17	SP-04-0129	AIR PURGE
12	* SP-04-0018	MANIFOLD ARM ASSEMBLY D. 350	18	* PS-6103	MULTIPOINT VALVE 1 ½"
12	* SP-04-0029	MANIFOLD ARM ASSEMBLY D. 450 - 500			



PARTS BREAKDOWN

REV.: 0
DATE: 20/05/2022
SHEET: 3/3

9097

CODE **FEC-400-L, FEC-400-VL, FEC-450-L, FEC-450-VL, FEC-500-L,
FEC-500-VL, FEC-600-L, FEC-600-VL, MEC-400-L, MEC-400-VL,
MEC-450-L, MEC-450-VL, MEC-500-L, MEC-500-VL, MEC-600-L,
MEC-600-VL**

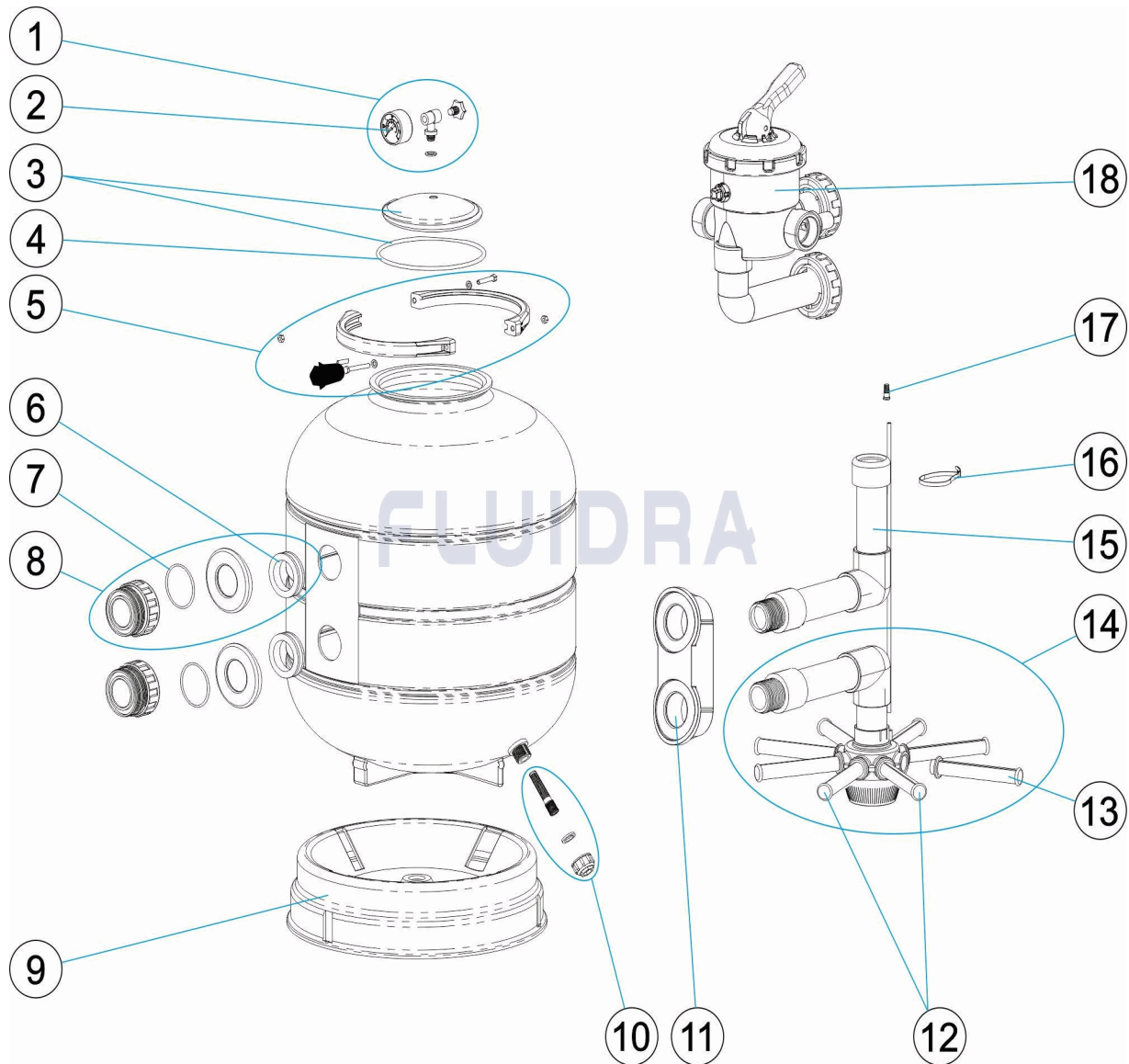
DESCRIPTION: ROMA FILTER D.400-450-500-600

OBSERVATIONS

POS	CODE	OBSERVATIONS
9	* SP-04-0229	FOR: MEC-400-VL, MEC-450-VL, MEC-400-L, MEC-450-L
9	* SP-04-0230	FOR: MEC-500-VL, MEC-600-VL, MEC-500-L, MEC-600-L
12	* SP-04-0018	FOR: FEC-400-VL, FEC-450-VL, MEC-400-VL, MEC-450-VL, FEC-400-L, FEC-450-L, MEC-400-L, MEC-450-L
12	* SP-04-0029	FOR: FEC-500-VL, FEC-600-VL, MEC-500-VL, MEC-600-VL, FEC-500-L, FEC-600-L, MEC-500-L, MEC-600-L
13	* SP-04-0017	FOR: FEC-400-VL [4UT], FEC-450-VL [4UT], MEC-400-VL [4UT], MEC-450-VL [4UT], FEC-400-L [4UT], FEC-450-L [4UT], MEC-400-L [4UT], MEC-450-L [4UT]
13	* SP-04-0027	FOR: FEC-500-VL [4UT], FEC-600-VL [4UT], MEC-500-VL [4UT], MEC-600-VL [4UT], FEC-500-L [4UT], FEC-600-L [4UT], MEC-500-L [4UT], MEC-600-L [4UT]
14	* SP-04-0120	FOR: FEC-400-VL, MEC-400-VL, FEC-400-L, MEC-400-L
14	* SP-04-0121	FOR: FEC-450-VL, MEC-450-VL, FEC-450-L, MEC-450-L
14	* SP-04-0122	FOR: FEC-500-VL, MEC-500-VL, FEC-500-L, MEC-500-L
14	* SP-04-0123	FOR: FEC-600-VL, MEC-600-VL, FEC-600-L, MEC-600-L
15	* SP-04-0124	FOR: FEC-400-VL, MEC-400-VL, FEC-400-L, MEC-400-L
15	* SP-04-0125	FOR: FEC-450-VL, MEC-450-VL, FEC-450-L, MEC-450-L
15	* SP-04-0126	FOR: FEC-500-VL, MEC-500-VL, FEC-500-L, MEC-500-L
15	* SP-04-0127	FOR: FEC-600-VL, MEC-600-VL, FEC-600-L, MEC-600-L
18	* PS-6103	FOR: FEC-400-VL, FEC-450-VL, FEC-500-VL, FEC-600-VL, MEC-400-VL, MEC-450-VL, MEC-500-VL, MEC-600-VL

CODICE **FEC-400-L, FEC-400-VL, FEC-450-L, FEC-450-VL, FEC-500-L, FEC-500-VL, FEC-600-L, FEC-600-VL, MEC-400-L, MEC-400-VL, MEC-450-L, MEC-450-VL, MEC-500-L, MEC-500-VL, MEC-600-L, MEC-600-VL**

DESCRIZIONE: FILTRO ROMA D.400-450-500-600



ITALIANO

POS	CODICE	DESCRIZIONE	QUANTITA'	POS	CODICE	DESCRIZIONE	QUANTITA'
1	SP-04-0097	MANOMETRO COMPLETO		13	* SP-04-0017	CANDELOTTO COLLETTORE 3/4" 110M "	
2	SP-04-0096	MANOMETRO 1/8" 3 KG./C "		13	* SP-04-0027	CANDELOTTO COLLETTORE 3/4" 160M "	
3	SP-04-0114	COPERCHIO TRASPARENTE + ANELLO		14	* SP-04-0120	KIT COLLETTORE D. 400	
4	SP-04-0074	O-RING COPERCHIO		14	* SP-04-0121	KIT COLLETTORE D. 450	
5	SP-04-0075	INSIEME FASCIA IN PLASTICA		14	* SP-04-0122	KIT COLLETTORE D. 500	
6	SP-04-0115	GUARNIZIONI CONCAVA 1 1/2"		14	* SP-04-0123	KIT COLLETTORE D. 600	
7	SP-04-0116	O-RING RACCORDO USCITA D.66.04X5.33		15	* SP-04-0124	RACCORDO DIFFUSORE D. 400	
8	SP-04-0117	RACCORDO USCITA + RINFORZO		15	* SP-04-0125	RACCORDO DIFFUSORE D. 450	
9	* SP-04-0229	BASE FILTRO D 400		15	* SP-04-0126	RACCORDO DIFFUSORE D. 500	
9	* SP-04-0230	BASE FILTRO D.500		15	* SP-04-0127	RACCORDO DIFFUSORE D. 600	

CODICE **FEC-400-L, FEC-400-VL, FEC-450-L, FEC-450-VL, FEC-500-L,**
 FEC-500-VL, FEC-600-L, FEC-600-VL, MEC-400-L, MEC-400-VL,
 MEC-450-L, MEC-450-VL, MEC-500-L, MEC-500-VL, MEC-600-L,
 MEC-600-VL

DESCRIZIONE: FILTRO ROMA D.400-450-500-600

10	SP-04-0118	SCARICO SABBIA	16	SP-04-0128	FLANGIA
11	SP-04-0119	RINFORZO INTERNO	17	SP-04-0129	SFIATO ARIA
12	* SP-04-0018	GRUPPO CANDELOTTO COLLECTORE D. 3	18	* PS-6103	VALVOLA SELETRICE 1 1/2"
12	* SP-04-0029	GRUPPO CANDELOTTO COLLECTORE D. 4			

CODICE **FEC-400-L, FEC-400-VL, FEC-450-L, FEC-450-VL, FEC-500-L,
FEC-500-VL, FEC-600-L, FEC-600-VL, MEC-400-L, MEC-400-VL,
MEC-450-L, MEC-450-VL, MEC-500-L, MEC-500-VL, MEC-600-L,
MEC-600-VL**

DESCRIZIONE: FILTRO ROMA D.400-450-500-600

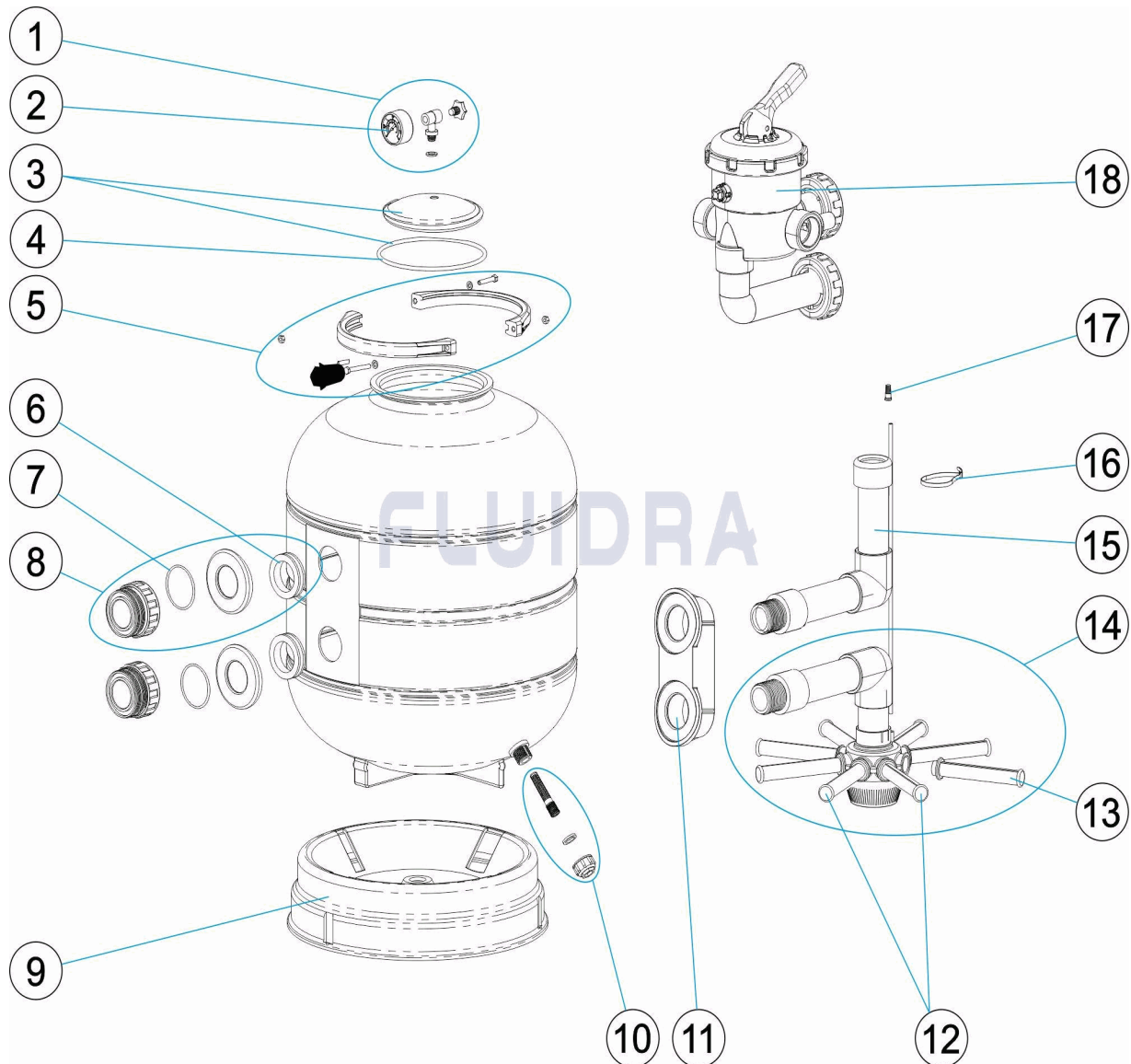
OSSERVAZIONI

POS	CODICE	OSSERVAZIONI
9	* SP-04-0229	PER: MEC-400-VL, MEC-450-VL, MEC-400-L, MEC-450-L
9	* SP-04-0230	PER: MEC-500-VL, MEC-600-VL, MEC-500-L, MEC-600-L
12	* SP-04-0018	PER: FEC-400-VL, FEC-450-VL, MEC-400-VL, MEC-450-VL, FEC-400-L, FEC-450-L, MEC-400-L, MEC-450-L
12	* SP-04-0029	PER: FEC-500-VL, FEC-600-VL, MEC-500-VL, MEC-600-VL, FEC-500-L, FEC-600-L, MEC-500-L, MEC-600-L
13	* SP-04-0017	PER: FEC-400-VL [4UT], FEC-450-VL [4UT], MEC-400-VL [4UT], MEC-450-VL [4UT], FEC-400-L [4UT], FEC-450-L [4UT], MEC-400-L [4UT], MEC-450-L [4UT]
13	* SP-04-0027	PER: FEC-500-VL [4UT], FEC-600-VL [4UT], MEC-500-VL [4UT], MEC-600-VL [4UT], FEC-500-L [4UT], FEC-600-L [4UT], MEC-500-L [4UT], MEC-600-L [4UT]
14	* SP-04-0120	PER: FEC-400-VL, MEC-400-VL, FEC-400-L, MEC-400-L
14	* SP-04-0121	PER: FEC-450-VL, MEC-450-VL, FEC-450-L, MEC-450-L
14	* SP-04-0122	PER: FEC-500-VL, MEC-500-VL, FEC-500-L, MEC-500-L
14	* SP-04-0123	PER: FEC-600-VL, MEC-600-VL, FEC-600-L, MEC-600-L
15	* SP-04-0124	PER: FEC-400-VL, MEC-400-VL, FEC-400-L, MEC-400-L
15	* SP-04-0125	PER: FEC-450-VL, MEC-450-VL, FEC-450-L, MEC-450-L
15	* SP-04-0126	PER: FEC-500-VL, MEC-500-VL, FEC-500-L, MEC-500-L
15	* SP-04-0127	PER: FEC-600-VL, MEC-600-VL, FEC-600-L, MEC-600-L
18	* PS-6103	PER: FEC-400-VL, FEC-450-VL, FEC-500-VL, FEC-600-VL, MEC-400-VL, MEC-450-VL, MEC-500-VL, MEC-600-VL

CODE

FEC-400-L, FEC-400-VL, FEC-450-L, FEC-450-VL, FEC-500-L,
 FEC-500-VL, FEC-600-L, FEC-600-VL, MEC-400-L, MEC-400-VL,
 MEC-450-L, MEC-450-VL, MEC-500-L, MEC-500-VL, MEC-600-L,
 MEC-600-VL

BESCHREIBUNG: FILTER ROMA D.400-450-500-600


DEUTSCH

POS	CODE	BESCHREIBUNG	MENGE	POS	CODE	BESCHREIBUNG	MENGE
1	SP-04-0097	MANOMETER KOMPLETT		13	* SP-04-0017	FILTERSTERN-SCHLITZROHR 3/4" 110M "	
2	SP-04-0096	MANOMETER 1/8" 3 KG/C "		13	* SP-04-0027	FILTERSTERN-SCHLITZROHR 3/4" 160 M "	
3	SP-04-0114	ABDECKUNG TRANSPARENT MIT RING		14	* SP-04-0120	SAMMELROHRSET D. 400	
4	SP-04-0074	O-RING ABDECKUNG		14	* SP-04-0121	SAMMELROHRSET D. 450	
5	SP-04-0075	EINSATZ KUNSTSTOFF		14	* SP-04-0122	SAMMELROHRSET D. 500	
6	SP-04-0115	DICHTUNG KONKAV 1 1/2"		14	* SP-04-0123	SAMMELROHRSET D. 600	
7	SP-04-0116	O-RING GEWINDESTÜCK D. 66,04 X 5,33		15	* SP-04-0124	SET WASSERVERTEILER D. 400	
8	SP-04-0117	GEWINDESTÜCK AUSGANG MIT VERSTÄR		15	* SP-04-0125	SET WASSERVERTEILER D. 450	
9	* SP-04-0229	FILTERFUSS D. 400		15	* SP-04-0126	SET WASSERVERTEILER D. 500	
9	* SP-04-0230	FILTERFUSS D.500		15	* SP-04-0127	SET WASSERVERTEILER D. 600	

* SIEHE ANMERKUGSBLATT



EINZELTEILE

ÜBER.: 0

9097

DATUM: 20/05/2022

BLATT: 2/3

CODE

**FEC-400-L, FEC-400-VL, FEC-450-L, FEC-450-VL, FEC-500-L,
FEC-500-VL, FEC-600-L, FEC-600-VL, MEC-400-L, MEC-400-VL,
MEC-450-L, MEC-450-VL, MEC-500-L, MEC-500-VL, MEC-600-L,
MEC-600-VL**

BESCHREIBUNG: FILTER ROMA D.400-450-500-600

10	SP-04-0118	SANDENTLEERUNG	16	SP-04-0128	FLANSCH
11	SP-04-0119	INNENVERSTÄRKUNG	17	SP-04-0129	ENTLÜFTUNG
12	* SP-04-0018	SET FILTERSTERN-SCHLITZROHR D. 350 -	18	* PS-6103	MEHRWEGVENTIL 1 ½"
12	* SP-04-0029	SET FILTERSTERN-SCHLITZROHR D. 450 -			

* SIEHE ANMERKUNGSBLATT



EINZELTEILE

ÜBER.: 0

9097

DATUM: 20/05/2022

BLATT: 3/3

CODE **FEC-400-L, FEC-400-VL, FEC-450-L, FEC-450-VL, FEC-500-L,
FEC-500-VL, FEC-600-L, FEC-600-VL, MEC-400-L, MEC-400-VL,
MEC-450-L, MEC-450-VL, MEC-500-L, MEC-500-VL, MEC-600-L,
MEC-600-VL**

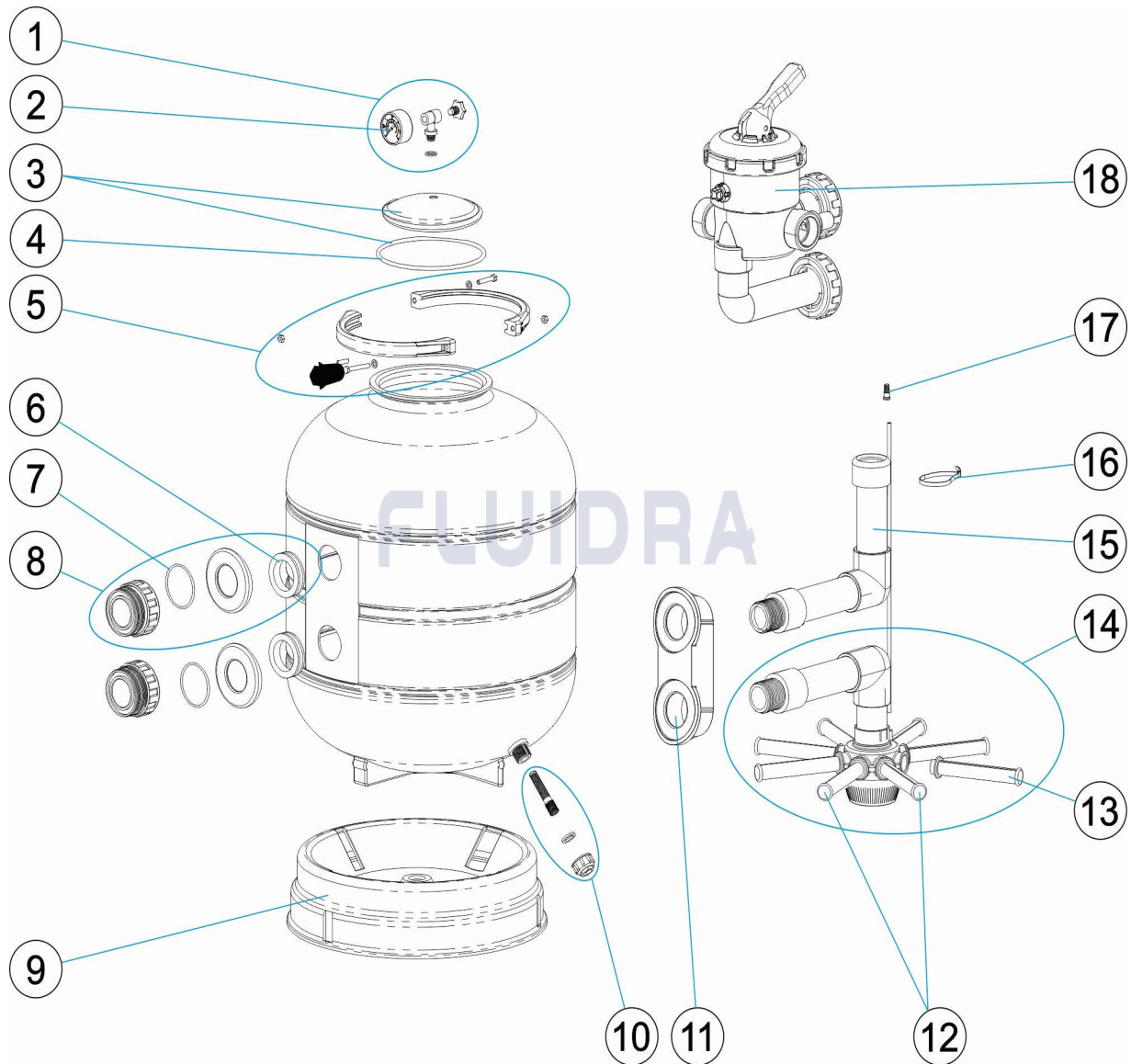
BESCHREIBUNG: **FILTER ROMA D.400-450-500-600**

HINWEISE

POS	CODE	HINWEISE
9	* SP-04-0229	FÜR: MEC-400-VL, MEC-450-VL, MEC-400-L, MEC-450-L
9	* SP-04-0230	FÜR: MEC-500-VL, MEC-600-VL, MEC-500-L, MEC-600-L
12	* SP-04-0018	FÜR: FEC-400-VL, FEC-450-VL, MEC-400-VL, MEC-450-VL, FEC-400-L, FEC-450-L, MEC-400-L, MEC-450-L
12	* SP-04-0029	FÜR: FEC-500-VL, FEC-600-VL, MEC-500-VL, MEC-600-VL, FEC-500-L, FEC-600-L, MEC-500-L, MEC-600-L
13	* SP-04-0017	FÜR: FEC-400-VL [4UT], FEC-450-VL [4UT], MEC-400-VL [4UT], MEC-450-VL [4UT], FEC-400-L [4UT], FEC-450-L [4UT], MEC-400-L [4UT], MEC-450-L [4UT]
13	* SP-04-0027	FÜR: FEC-500-VL [4UT], FEC-600-VL [4UT], MEC-500-VL [4UT], MEC-600-VL [4UT], FEC-500-L [4UT], FEC-600-L [4UT], MEC-500-L [4UT], MEC-600-L [4UT]
14	* SP-04-0120	FÜR: FEC-400-VL, MEC-400-VL, FEC-400-L, MEC-400-L
14	* SP-04-0121	FÜR: FEC-450-VL, MEC-450-VL, FEC-450-L, MEC-450-L
14	* SP-04-0122	FÜR: FEC-500-VL, MEC-500-VL, FEC-500-L, MEC-500-L
14	* SP-04-0123	FÜR: FEC-600-VL, MEC-600-VL, FEC-600-L, MEC-600-L
15	* SP-04-0124	FÜR: FEC-400-VL, MEC-400-VL, FEC-400-L, MEC-400-L
15	* SP-04-0125	FÜR: FEC-450-VL, MEC-450-VL, FEC-450-L, MEC-450-L
15	* SP-04-0126	FÜR: FEC-500-VL, MEC-500-VL, FEC-500-L, MEC-500-L
15	* SP-04-0127	FÜR: FEC-600-VL, MEC-600-VL, FEC-600-L, MEC-600-L
18	* PS-6103	FÜR: FEC-400-VL, FEC-450-VL, FEC-500-VL, FEC-600-VL, MEC-400-VL, MEC-450-VL, MEC-500-VL, MEC-600-VL

CODIGO **FEC-400-L, FEC-400-VL, FEC-450-L, FEC-450-VL, FEC-500-L, FEC-500-VL, FEC-600-L, FEC-600-VL, MEC-400-L, MEC-400-VL, MEC-450-L, MEC-450-VL, MEC-500-L, MEC-500-VL, MEC-600-L, MEC-600-VL**

DESCRICAÇÃO: FILTRO ROMA D.400-450-500-600



PORTUGUES

POS	CODIGO	DESCRICAÇÃO	JANTIDADE	POS	CODIGO	DESCRICAÇÃO	JANTIDADE
1	SP-04-0097	MANÓMETRO COMPLETO		13	* SP-04-0017	BRAÇO COLECTOR 3/4" 110M "	
2	SP-04-0096	MANOMETRO 1/8" 3 KG./C "		13	* SP-04-0027	BRAÇO COLECTOR 3/4" 160M "	
3	SP-04-0114	TAMPA TRANSPARENTE + ARO		14	* SP-04-0120	CJTO. COLECTOR D. 400	
4	SP-04-0074	JUNTA TÓRICA TAMPA		14	* SP-04-0121	CJTO. COLECTOR D. 450	
5	SP-04-0075	CONJUNTO ABRAÇADERA DE PLASTICO		14	* SP-04-0122	CJTO. COLECTOR D. 500	
6	SP-04-0115	JUNTA CÔNCAVA 1 1/2"		14	* SP-04-0123	CJTO. COLECTOR D. 600	
7	SP-04-0116	JUNTA TÓRICA D.66.04X5.33		15	* SP-04-0124	CJTO. DIFUSOR D. 400	
8	SP-04-0117	ACOPLADOR SAÍDA + REFORÇO		15	* SP-04-0125	CJTO. DIFUSOR D. 450	
9	* SP-04-0229	PÉ FILTRO D 400		15	* SP-04-0126	CJTO. DIFUSOR D. 500	
9	* SP-04-0230	PÉ FILTRO D.500		15	* SP-04-0127	CJTO. DIFUSOR D. 600	

CODIGO **FEC-400-L, FEC-400-VL, FEC-450-L, FEC-450-VL, FEC-500-L, FEC-500-VL, FEC-600-L, FEC-600-VL, MEC-400-L, MEC-400-VL, MEC-450-L, MEC-450-VL, MEC-500-L, MEC-500-VL, MEC-600-L, MEC-600-VL**

DESCRIÇÃO: FILTRO ROMA D.400-450-500-600

10	SP-04-0118	PURGA AREIA	16	SP-04-0128	FLANGE
11	SP-04-0119	REFORÇO INTERIOR	17	SP-04-0129	PURGA AREIA
12	* SP-04-0018	CJTO. BRAÇO COLECTOR D. 350	18	* PS-6103	VÁLVULA SELETORA 1 ½"
12	* SP-04-0029	CJTO. BRAÇO COLECTOR D. 450 - 500			

CODIGO **FEC-400-L, FEC-400-VL, FEC-450-L, FEC-450-VL, FEC-500-L, FEC-500-VL, FEC-600-L, FEC-600-VL, MEC-400-L, MEC-400-VL, MEC-450-L, MEC-450-VL, MEC-500-L, MEC-500-VL, MEC-600-L, MEC-600-VL**

DESCRIÇÃO: FILTRO ROMA D.400-450-500-600

OBSERVAÇÕES

POS	CODIGO	OBSERVAÇÕES
9	* SP-04-0229	PARA: MEC-400-VL, MEC-450-VL, MEC-400-L, MEC-450-L
9	* SP-04-0230	PARA: MEC-500-VL, MEC-600-VL, MEC-500-L, MEC-600-L
12	* SP-04-0018	PARA: FEC-400-VL, FEC-450-VL, MEC-400-VL, MEC-450-VL, FEC-400-L, FEC-450-L, MEC-400-L, MEC-450-L
12	* SP-04-0029	PARA: FEC-500-VL, FEC-600-VL, MEC-500-VL, MEC-600-VL, FEC-500-L, FEC-600-L, MEC-500-L, MEC-600-L
13	* SP-04-0017	PARA: FEC-400-VL [4UT], FEC-450-VL [4UT], MEC-400-VL [4UT], MEC-450-VL [4UT], FEC-400-L [4UT], FEC-450-L [4UT], MEC-400-L [4UT], MEC-450-L [4UT]
13	* SP-04-0027	PARA: FEC-500-VL [4UT], FEC-600-VL [4UT], MEC-500-VL [4UT], MEC-600-VL [4UT], FEC-500-L [4UT], FEC-600-L [4UT], MEC-500-L [4UT], MEC-600-L [4UT]
14	* SP-04-0120	PARA: FEC-400-VL, MEC-400-VL, FEC-400-L, MEC-400-L
14	* SP-04-0121	PARA: FEC-450-VL, MEC-450-VL, FEC-450-L, MEC-450-L
14	* SP-04-0122	PARA: FEC-500-VL, MEC-500-VL, FEC-500-L, MEC-500-L
14	* SP-04-0123	PARA: FEC-600-VL, MEC-600-VL, FEC-600-L, MEC-600-L
15	* SP-04-0124	PARA: FEC-400-VL, MEC-400-VL, FEC-400-L, MEC-400-L
15	* SP-04-0125	PARA: FEC-450-VL, MEC-450-VL, FEC-450-L, MEC-450-L
15	* SP-04-0126	PARA: FEC-500-VL, MEC-500-VL, FEC-500-L, MEC-500-L
15	* SP-04-0127	PARA: FEC-600-VL, MEC-600-VL, FEC-600-L, MEC-600-L
18	* PS-6103	PARA: FEC-400-VL, FEC-450-VL, FEC-500-VL, FEC-600-VL, MEC-400-VL, MEC-450-VL, MEC-500-VL, MEC-600-VL