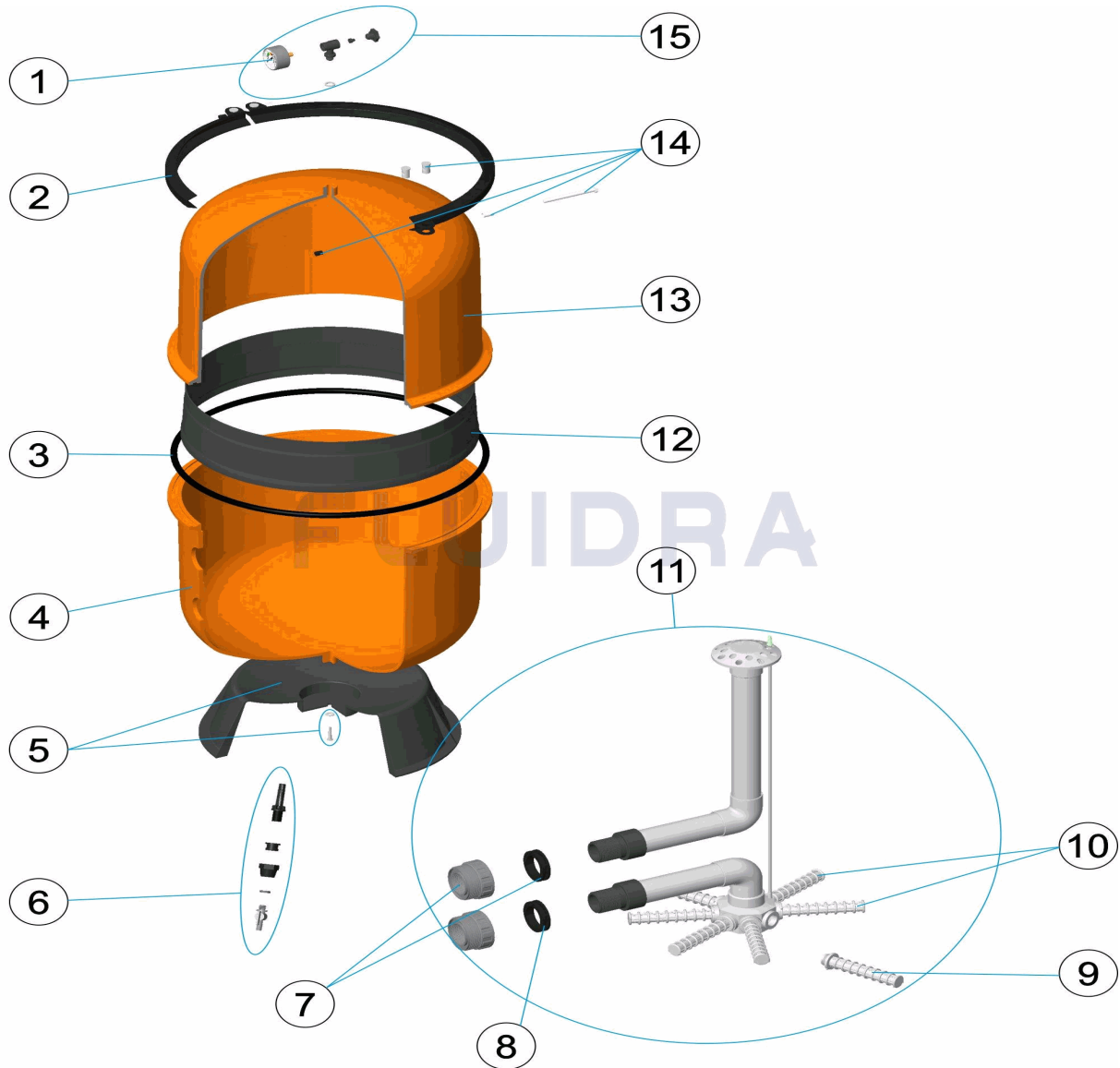


CODIGO FBIL-400-L, FBIL-500-L, FBIL-600-L

DESCRIPCION: FILTRO BILBAO D.400 500 600


ESPAÑOL

POS	CODIGO	DESCRIPCION	CANTIDAD	POS	CODIGO	DESCRIPCION	CANTIDAD
1	SP-04-0072	MANOMETRO 1/8" 3 KG/C "		9	* SP-04-0017	BRAZO COLECTOR 3/4" 110 M "	
2	* SP-04-0011	ANILLA ZINCADA CIERRE D. 400		9	* SP-04-0027	BRAZO COLECTOR 3/4" 160 M "	
2	* SP-04-0023	ANILLA ZINCADA CIERRE D. 500		9	* SP-04-0028	BRAZO COLECTOR 3/4" 225M "	
2	* SP-04-0024	ANILLA ZINCADA CIERRE D. 600		10	* SP-04-0018	CJTO. BRAZOS COLECTOR D. 350 - 400	
3	* SP-04-0012	JUNTA TORICA FILTRO D. 400		10	* SP-04-0029	CJTO. BRAZOS COLECTOR D. 450 - 500	
3	* SP-04-0025	JUNTA TORICA FILTRO D. 500		10	* SP-04-0030	CJTO. BRAZOS COLECTOR D. 600	
3	* SP-04-0026	JUNTA TORICA FILTRO D. 600		11	* SP-04-0019	CONJUNTO INTERIOR BILBAO D. 400	
4	* SP-04-0210	PARTE INFERIOR D.400		11	* SP-04-0031	CJTO. INTERIOR BILBAO D.500	
4	* SP-04-0211	PARTE INFERIOR D.500		11	* SP-04-0032	CJTO. INTERIOR BILBAO D.600	
4	* SP-04-0212	PARTE INFERIOR D.600		12	* SP-04-0020	ARO CIERRE ABS D. 400	
5	* SP-04-0013	PIE FILTRO D.400		12	* SP-04-0033	ARO CIERRE ABS D. 500	
5	* SP-04-0036	PIE FILTRO D.500		12	* SP-04-0034	ARO CIERRE ABS. D. 600	
6	SP-04-0014	CREPINA PURGA 3/8"		13	* SP-04-0213	PARTE SUPERIRO D.400	



DESPIECE

REV: 0

9032

FECHA: 11/05/2022

HOJA: 2/3

CODIGO **FBIL-400-L, FBIL-500-L, FBIL-600-L**DESCRIPCION: **FILTRO BILBAO D.400 500 600**

7	SP-04-0015	RACORD 1 ½' + JUNTA CONCAVA	13	* SP-04-0214	PARTE SUPERIRO D.500
8	SP-04-0016	JUNTA CONCAVA 1 ½"	13	* SP-04-0215	PARTE SUPERIOR D.600
14	* SP-04-0021	TORNILLERIA CIERRE	15	SP-04-0071	MANOMETRO COMPLETO
14	* SP-04-0035	TORNILLERIA CIERRE D.600			



DESPIECE

REV: 0
FECHA: 11/05/2022
HOJA: 3/3

9032

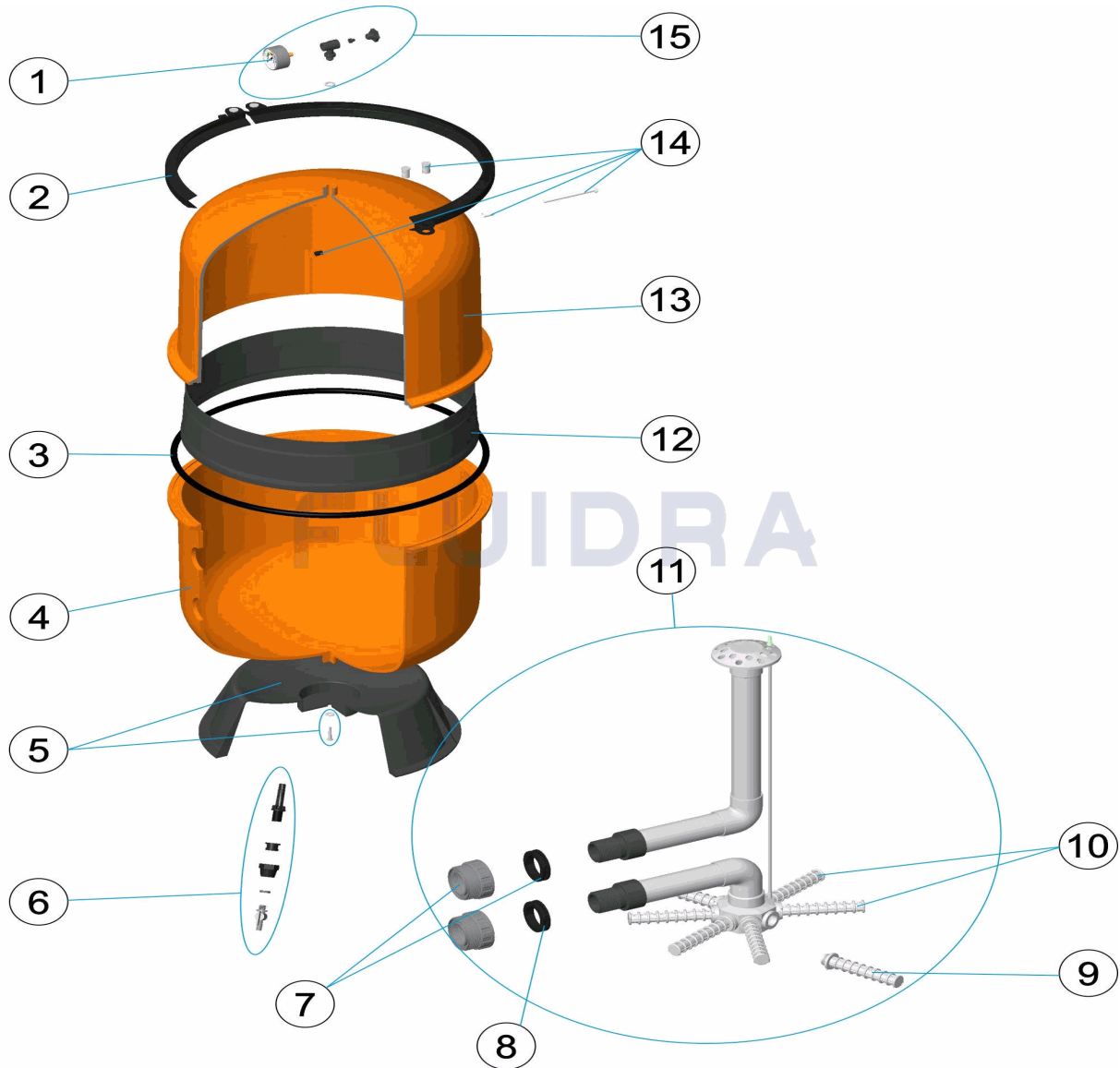
CODIGO **FBIL-400-L, FBIL-500-L, FBIL-600-L**

DESCRIPCION: **FILTRO BILBAO D.400 500 600**

OBSERVACIONES

POS	CODIGO	OBSERVACIONES
2	* SP-04-0011	PARA: FBIL-400-L
2	* SP-04-0023	PARA: FBIL-500-L
2	* SP-04-0024	PARA: FBIL-600-L
3	* SP-04-0012	PARA: FBIL-400-L
3	* SP-04-0025	PARA: FBIL-500-L
3	* SP-04-0026	PARA: FBIL-600-L
4	* SP-04-0210	PARA: FBIL-400-L
4	* SP-04-0211	PARA: FBIL-500-L
4	* SP-04-0212	PARA: FBIL-600-L
5	* SP-04-0013	PARA: FBIL-400-L, FBIL-500-L
5	* SP-04-0036	PARA: FBIL-600-L
9	* SP-04-0017	PARA: FBIL-400-L [4UNIDADES]
9	* SP-04-0027	PARA: FBIL-500-L [4UNIDADES]
9	* SP-04-0028	PARA: FBIL-600-L [4UNIDADES]
10	* SP-04-0018	PARA: FBIL-400-L
10	* SP-04-0029	PARA: FBIL-500-L
10	* SP-04-0030	PARA: FBIL-600-L
11	* SP-04-0019	PARA: FBIL-400-L
11	* SP-04-0031	PARA: FBIL-500-L
11	* SP-04-0032	PARA: FBIL-600-L
12	* SP-04-0020	PARA: FBIL-400-L
12	* SP-04-0033	PARA: FBIL-500-L
12	* SP-04-0034	PARA: FBIL-600-L
13	* SP-04-0213	PARA: FBIL-400-L
13	* SP-04-0214	PARA: FBIL-500-L
13	* SP-04-0215	PARA: FBIL-600-L
14	* SP-04-0021	PARA: FBIL-400-L, FBIL-500-L
14	* SP-04-0035	PARA: FBIL-600-L

CODE **FBIL-400-L, FBIL-500-L, FBIL-600-L**

 DESCRIPTION: **FILTRE BILBAO D.400 500 600**

FRANCAIS

POS	CODE	DESCRIPTION	QUANTITE	POS	CODE	DESCRIPTION	QUANTITE
1	SP-04-0072	MANOMETRE 1/8" 3 KG./C "		9	* SP-04-0017	BRAS DE REPARTITEUR 3/4" 110M "	
2	* SP-04-0011	RONDELLE DE FEMETURE EN ZINC D.400		9	* SP-04-0027	BRAS DE REPARTITEUR 3/4" 160M "	
2	* SP-04-0023	RONDELLE DE FEMETURE EN ZINC D.500		9	* SP-04-0028	BRAS DE REPARTITEUR 3/4" 225M "	
2	* SP-04-0024	RONDELLE DE FEMETURE EN ZINC D.600		10	* SP-04-0018	ENSEMBLE BRAS DE REPARTITEUR D. 350	
3	* SP-04-0012	JOINT TORIQUE FILTRE D. 400		10	* SP-04-0029	ENSEMBLE BRAS DE REPARTITEUR D. 450	
3	* SP-04-0025	JOINT TORIQUE FILTRE D. 500		10	* SP-04-0030	ENSEMBLE BRAS DE REPARTITEUR D. 600	
3	* SP-04-0026	JOINT TORIQUE FILTRE D. 600		11	* SP-04-0019	ENS. INTÉRIEUR BILBAO D.400	
4	* SP-04-0210	PARTIE INFÉRIEURE D.400		11	* SP-04-0031	ENS. INTÉRIEUR BILBAO D.500	
4	* SP-04-0211	PARTIE INFÉRIEURE D.500		11	* SP-04-0032	ENS. INTÉRIEUR BILBAO D.600	
4	* SP-04-0212	PARTIE INFÉRIEURE D.600		12	* SP-04-0020	ANNEAU DE FEMETURE ABS D.400	
5	* SP-04-0013	SOCLE FILTRE D. 400		12	* SP-04-0033	ANNEAU DE FEMETURE ABS D.500	
5	* SP-04-0036	SOCLE FILTRE D. 500		12	* SP-04-0034	ANNEAU DE FEMETURE ABS D.600	
6	SP-04-0014	CREPINE DE PURGE 3/8'		13	* SP-04-0213	PARTIE SUPÉRIEUR D.400	



ÉCLATÉ

REV.: 0

9032

DATE: 11/05/2022

PAG.: 2/3

CODE **FBIL-400-L, FBIL-500-L, FBIL-600-L**DESCRIPTION: **FILTRE BILBAO D.400 500 600**

7	SP-04-0015	RACCORD 1 1/2" + JOINT CONCAVE	13	* SP-04-0214	PARTIE SUPÉRIEUR D.500
8	SP-04-0016	JOINT CONCAVE 1 1/2"	13	* SP-04-0215	PARTIE SUPÉRIEUR D.600
14	* SP-04-0021	VISSERIE DE FERMENTURE	15	SP-04-0071	MANOMETRE COMPLET
14	* SP-04-0035	VISSERIE DE FERMENTURE D. 600			

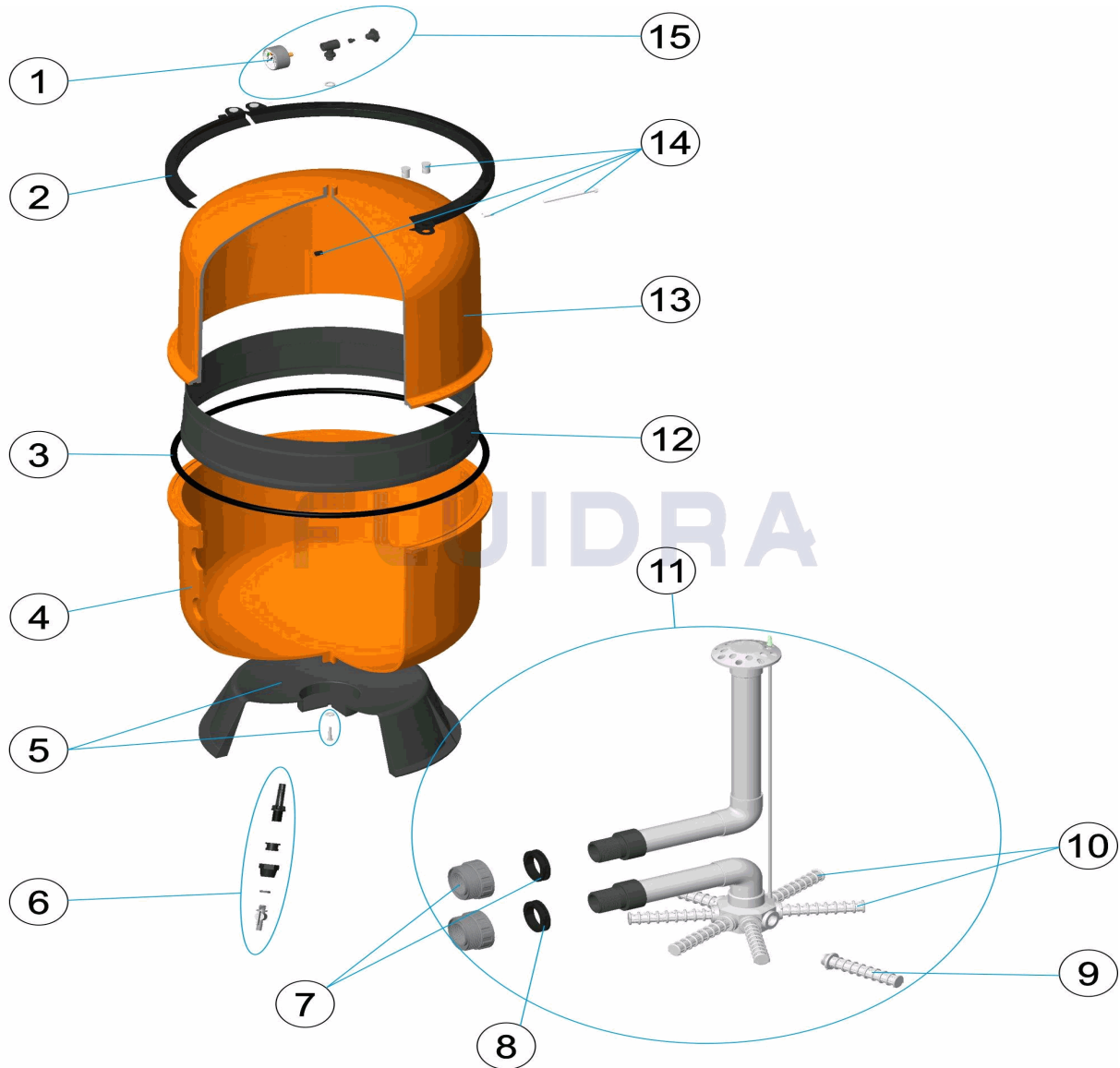
CODE **FBIL-400-L, FBIL-500-L, FBIL-600-L**

DESCRIPTION: **FILTRE BILBAO D.400 500 600**

OBSERVATIONS

POS	CODE	OBSERVATIONS
2	* SP-04-0011	POUR: FBIL-400-L
2	* SP-04-0023	POUR: FBIL-500-L
2	* SP-04-0024	POUR: FBIL-600-L
3	* SP-04-0012	POUR: FBIL-400-L
3	* SP-04-0025	POUR: FBIL-500-L
3	* SP-04-0026	POUR: FBIL-600-L
4	* SP-04-0210	POUR: FBIL-400-L
4	* SP-04-0211	POUR: FBIL-500-L
4	* SP-04-0212	POUR: FBIL-600-L
5	* SP-04-0013	POUR: FBIL-400-L, FBIL-500-L
5	* SP-04-0036	POUR: FBIL-600-L
9	* SP-04-0017	POUR: FBIL-400-L [4UT]
9	* SP-04-0027	POUR: FBIL-500-L [4UT]
9	* SP-04-0028	POUR: FBIL-600-L [4UT]
10	* SP-04-0018	POUR: FBIL-400-L
10	* SP-04-0029	POUR: FBIL-500-L
10	* SP-04-0030	POUR: FBIL-600-L
11	* SP-04-0019	POUR: FBIL-400-L
11	* SP-04-0031	POUR: FBIL-500-L
11	* SP-04-0032	POUR: FBIL-600-L
12	* SP-04-0020	POUR: FBIL-400-L
12	* SP-04-0033	POUR: FBIL-500-L
12	* SP-04-0034	POUR: FBIL-600-L
13	* SP-04-0213	POUR: FBIL-400-L
13	* SP-04-0214	POUR: FBIL-500-L
13	* SP-04-0215	POUR: FBIL-600-L
14	* SP-04-0021	POUR: FBIL-400-L, FBIL-500-L
14	* SP-04-0035	POUR: FBIL-600-L

CODE **FBIL-400-L, FBIL-500-L, FBIL-600-L**

 DESCRIPTION: **BILBAO FILTER D.400 500 600**

ENGLISH

POS	CODE	DESCRIPTION	QUANTITY	POS	CODE	DESCRIPTION	QUANTITY
1	SP-04-0072	PRESSURE GAUGE 1/8" 3 KG./C "		9	* SP-04-0017	MANIFOLD ARM 3/4" 110 M "	
2	* SP-04-0011	LOCKING FIXTURE D.400		9	* SP-04-0027	MANIFOLD ARM 3/4" 160 M "	
2	* SP-04-0023	LOCKING FIXTURE D.500		9	* SP-04-0028	MANIFOLD ARM 3/4" 225 M "	
2	* SP-04-0024	LOCKING FIXTURE D.600		10	* SP-04-0018	MANIFOLD ARM ASSEMBLY D. 350	
3	* SP-04-0012	FILTER 'O' RING D. 400		10	* SP-04-0029	MANIFOLD ARM ASSEMBLY D. 450 - 500	
3	* SP-04-0025	FILTER 'O' RING D. 500		10	* SP-04-0030	MANIFOLD ARM ASSEMBLY D. 600	
3	* SP-04-0026	FILTER 'O' RING D. 600		11	* SP-04-0019	BILBAO INTERIOR KIT D. 400	
4	* SP-04-0210	LOWER SECTION D.400		11	* SP-04-0031	BILBAO INTERIOR KIT D.500	
4	* SP-04-0211	LOWER SECTION D.500		11	* SP-04-0032	BILBAO INTERIOR KIT D.600	
4	* SP-04-0212	LOWER SECTION D.600		12	* SP-04-0020	STAINLESS STEEL CLOSING RING D.400	
5	* SP-04-0013	FILTER BASE D. 400		12	* SP-04-0033	ABS CLOSING RING D.500	
5	* SP-04-0036	FILTER BASE D. 500		12	* SP-04-0034	STAINLESS STEEL CLOSING RING D.600	
6	SP-04-0014	DRAINAGE STRAINER NOZZLE 3/8'		13	* SP-04-0213	UPPER SECTION D.400	

* SEE OBSERVATIONS SHEET



PARTS BREAKDOWN

REV.: 0

9032

DATE: 11/05/2022

SHEET: 2/3

CODE **FBIL-400-L, FBIL-500-L, FBIL-600-L**DESCRIPTION: **BILBAO FILTER D.400 500 600**

7	SP-04-0015	1 1/2' FITTING + CONCAVE GASKET	13	* SP-04-0214	UPPER SECTION D.500
8	SP-04-0016	CONCAVE GASKET 1 1/2"	13	* SP-04-0215	UPPER SECTION D.600
14	* SP-04-0021	SCREW SET CLOSING RING	15	SP-04-0071	COMPLETE PRESSURE GAUGE UNIT
14	* SP-04-0035	SCREW SET CLOSING RING D. 600			



PARTS BREAKDOWN

REV.: 0
DATE: 11/05/2022
SHEET: 3/3

9032

CODE **FBIL-400-L, FBIL-500-L, FBIL-600-L**

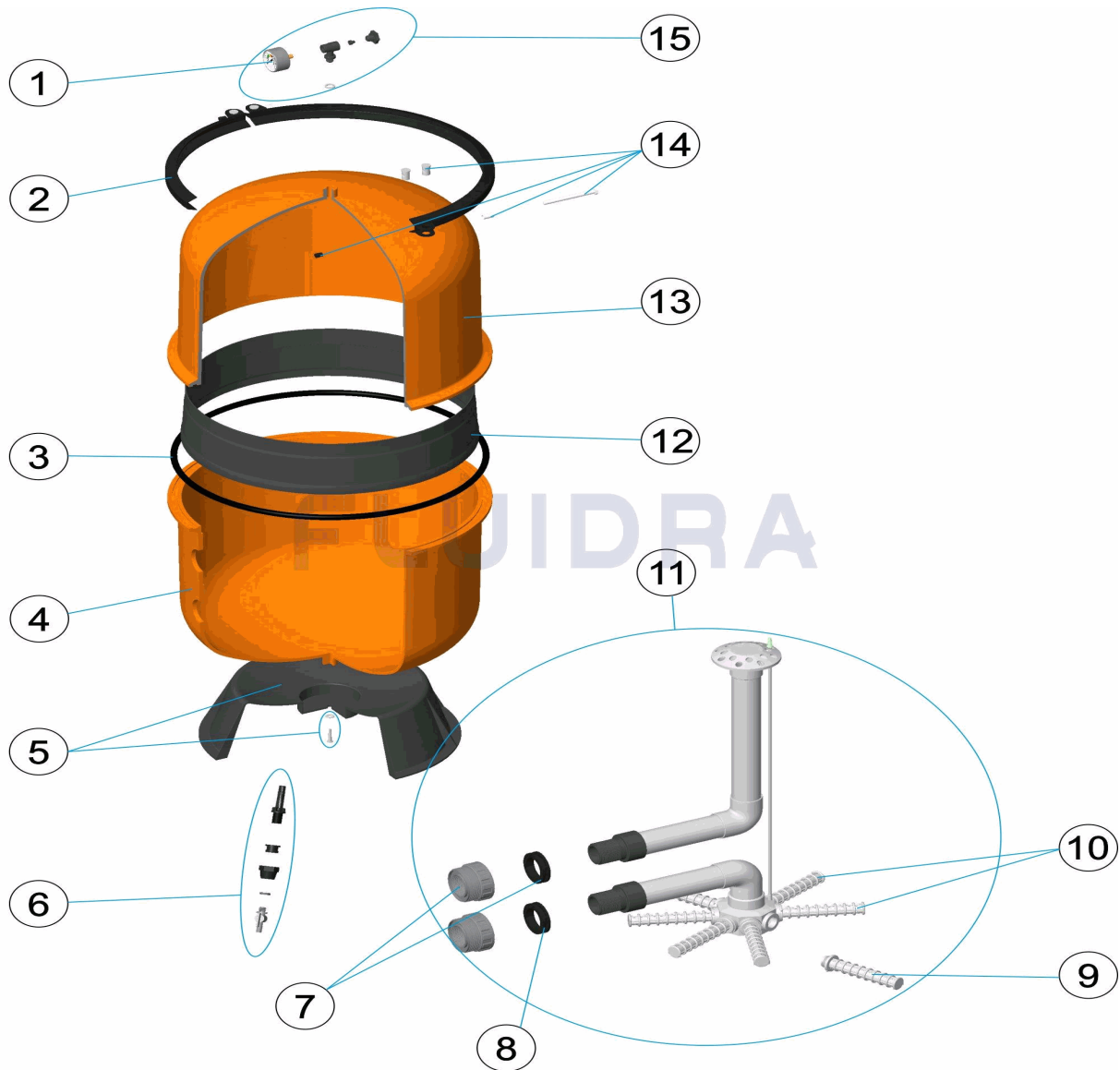
DESCRIPTION: **BILBAO FILTER D.400 500 600**

OBSERVATIONS

POS	CODE	OBSERVATIONS
2	* SP-04-0011	FOR: FBIL-400-L
2	* SP-04-0023	FOR: FBIL-500-L
2	* SP-04-0024	FOR: FBIL-600-L
3	* SP-04-0012	FOR: FBIL-400-L
3	* SP-04-0025	FOR: FBIL-500-L
3	* SP-04-0026	FOR: FBIL-600-L
4	* SP-04-0210	FOR: FBIL-400-L
4	* SP-04-0211	FOR: FBIL-500-L
4	* SP-04-0212	FOR: FBIL-600-L
5	* SP-04-0013	FOR: FBIL-400-L, FBIL-500-L
5	* SP-04-0036	FOR: FBIL-600-L
9	* SP-04-0017	FOR: FBIL-400-L [4UT]
9	* SP-04-0027	FOR: FBIL-500-L [4UT]
9	* SP-04-0028	FOR: FBIL-600-L [4UT]
10	* SP-04-0018	FOR: FBIL-400-L
10	* SP-04-0029	FOR: FBIL-500-L
10	* SP-04-0030	FOR: FBIL-600-L
11	* SP-04-0019	FOR: FBIL-400-L
11	* SP-04-0031	FOR: FBIL-500-L
11	* SP-04-0032	FOR: FBIL-600-L
12	* SP-04-0020	FOR: FBIL-400-L
12	* SP-04-0033	FOR: FBIL-500-L
12	* SP-04-0034	FOR: FBIL-600-L
13	* SP-04-0213	FOR: FBIL-400-L
13	* SP-04-0214	FOR: FBIL-500-L
13	* SP-04-0215	FOR: FBIL-600-L
14	* SP-04-0021	FOR: FBIL-400-L, FBIL-500-L
14	* SP-04-0035	FOR: FBIL-600-L

CODICE FBIL-400-L, FBIL-500-L, FBIL-600-L

DESCRIZIONE: FILTRO BILBAO D.400 500 600


ITALIANO

POS	CODICE	DESCRIZIONE	QUANTITA'	POS	CODICE	DESCRIZIONE	QUANTITA'
1	SP-04-0072	MANOMETRO 1/8" 3 KG./C "		9	* SP-04-0017	CANDELOTTO COLLECTORE 3/4" 110M "	
2	* SP-04-0011	RONDELLA ZINCATO DI CHIUSURA D.400		9	* SP-04-0027	CANDELOTTO COLLECTORE 3/4" 160M "	
2	* SP-04-0023	RONDELLA ZINCATO DI CHIUSURA D.500		9	* SP-04-0028	CANDELOTTO COLLECTORE 3/4" 225M "	
2	* SP-04-0024	RONDELLA ZINCATO DI CHIUSURA D.600		10	* SP-04-0018	GRUPPO CANDELOTTO COLLECTORE D. 3	
3	* SP-04-0012	O-RING FILTRO D. 400		10	* SP-04-0029	GRUPPO CANDELOTTO COLLECTORE D. 4	
3	* SP-04-0025	O-RING FILTRO D. 500		10	* SP-04-0030	GRUPPO CANDELOTTO COLLECTORE D. 6	
3	* SP-04-0026	O-RING FILTRO D. 600		11	* SP-04-0019	CONGIUNTO INTERNO BILBAO D.400	
4	* SP-04-0210	PARTE INFERIORE D.400		11	* SP-04-0031	CONGIUNTO INTERNO BILBAO D.500	
4	* SP-04-0211	PARTE INFERIORE D.500		11	* SP-04-0032	CONGIUNTO INTERNO BILBAO D.600	
4	* SP-04-0212	PARTE INFERIORE D.600		12	* SP-04-0020	ANELLO CHIUSURA FILTRO ABS D.400	
5	* SP-04-0013	BASE FILTRO D. 400		12	* SP-04-0033	ANELLO CHIUSURA FILTRO ABS D.500	
5	* SP-04-0036	BASE FILTRO D. 500		12	* SP-04-0034	ANELLO CHIUSURA FILTRO ABS D.600	
6	SP-04-0014	DIFFUSORE SCARICO 3/8"		13	* SP-04-0213	PARTE SUPERIORE D.400	

* SI FACCIÀ RIFERIMENTO AL FOGLIO DELLE OSSERVAZIONI



ESPLOSO

REV.: 0

9032

DATA: 11/05/2022

PAG.: 2/3

CODICE **FBIL-400-L, FBIL-500-L, FBIL-600-L**DESCRIZIONE: **FILTRO BILBAO D.400 500 600**

7	SP-04-0015	RACCORDO 1 1/2" + GUAR. CONCAVA	13	* SP-04-0214	PARTE SUPERIORE D.500
8	SP-04-0016	GUARNIZIONI CONCAVA 1 1/2"	13	* SP-04-0215	PARTE SUPERIORE D.600
14	* SP-04-0021	BULLONERIA PER CHISURA	15	SP-04-0071	MANOMETRO COMPLETO
14	* SP-04-0035	BULLONERIA PER CHISURA D. 600			

CODICE **FBIL-400-L, FBIL-500-L, FBIL-600-L**

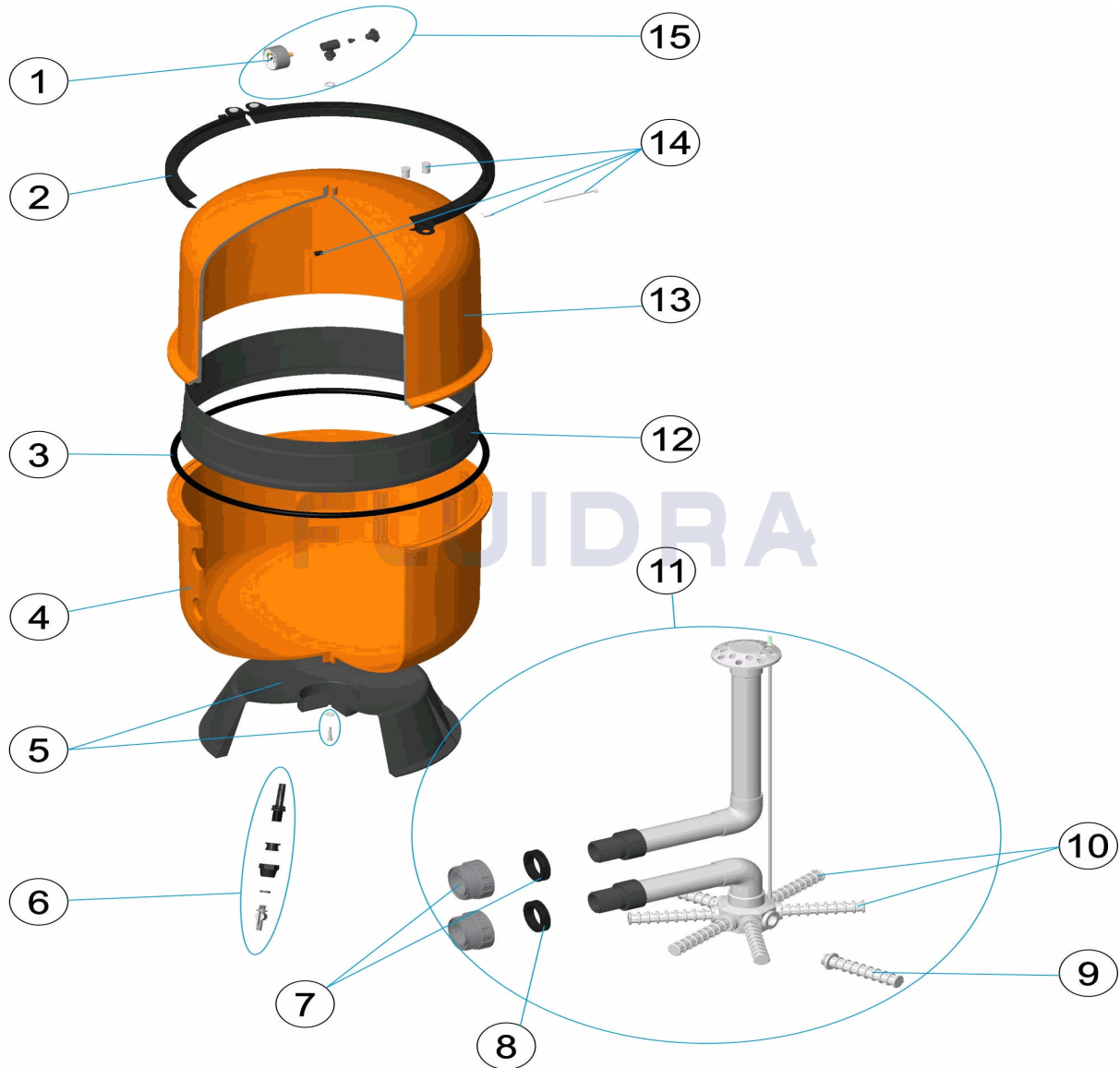
DESCRIZIONE: **FILTRO BILBAO D.400 500 600**

OSSERVAZIONI

POS	CODICE	OSSERVAZIONI
2	* SP-04-0011	PER: FBIL-400-L
2	* SP-04-0023	PER: FBIL-500-L
2	* SP-04-0024	PER: FBIL-600-L
3	* SP-04-0012	PER: FBIL-400-L
3	* SP-04-0025	PER: FBIL-500-L
3	* SP-04-0026	PER: FBIL-600-L
4	* SP-04-0210	PER: FBIL-400-L
4	* SP-04-0211	PER: FBIL-500-L
4	* SP-04-0212	PER: FBIL-600-L
5	* SP-04-0013	PER: FBIL-400-L, FBIL-500-L
5	* SP-04-0036	PER: FBIL-600-L
9	* SP-04-0017	PER: FBIL-400-L [4UT]
9	* SP-04-0027	PER: FBIL-500-L [4UT]
9	* SP-04-0028	PER: FBIL-600-L [4UT]
10	* SP-04-0018	PER: FBIL-400-L
10	* SP-04-0029	PER: FBIL-500-L
10	* SP-04-0030	PER: FBIL-600-L
11	* SP-04-0019	PER: FBIL-400-L
11	* SP-04-0031	PER: FBIL-500-L
11	* SP-04-0032	PER: FBIL-600-L
12	* SP-04-0020	PER: FBIL-400-L
12	* SP-04-0033	PER: FBIL-500-L
12	* SP-04-0034	PER: FBIL-600-L
13	* SP-04-0213	PER: FBIL-400-L
13	* SP-04-0214	PER: FBIL-500-L
13	* SP-04-0215	PER: FBIL-600-L
14	* SP-04-0021	PER: FBIL-400-L, FBIL-500-L
14	* SP-04-0035	PER: FBIL-600-L

CODE FBIL-400-L, FBIL-500-L, FBIL-600-L

BESCHREIBUNG: FILTER BILBAO D.400 500 600


DEUTSCH

POS	CODE	BESCHREIBUNG	MENGE	POS	CODE	BESCHREIBUNG	MENGE
1	SP-04-0072	MANOMETER 1/8" 3 KG/C "		9	* SP-04-0017	FILTERSTERN-SCHLITZROHR 3/4" 110M "	
2	* SP-04-0011	VERZINKTER SCHLIESSRING D. 400		9	* SP-04-0027	FILTERSTERN-SCHLITZROHR 3/4" 160 M "	
2	* SP-04-0023	VERZINKTER SCHLIESSRING D. 500		9	* SP-04-0028	FILTERSTERN-SCHLITZROHR 3/4" 225M "	
2	* SP-04-0024	VERZINKTER SCHLIESSRING D. 600		10	* SP-04-0018	SET FILTERSTERN-SCHLITZROHR D. 350 ..	
3	* SP-04-0012	O-RING FILTER D. 400		10	* SP-04-0029	SET FILTERSTERN-SCHLITZROHR D. 450 ..	
3	* SP-04-0025	O-RING FILTER D. 500		10	* SP-04-0030	SET FILTERSTERN-SCHLITZROHR D. 600	
3	* SP-04-0026	O-RING FILTER D. 600		11	* SP-04-0019	SAMMELROHRSET BILBAO D. 400	
4	* SP-04-0210	UNTERTEIL D. 400		11	* SP-04-0031	SAMMELROHRSET BILBAO D. 500	
4	* SP-04-0211	UNTERTEIL D.500		11	* SP-04-0032	SAMMELROHRSET BILBAO D. 600	
4	* SP-04-0212	UNTERTEIL D.600		12	* SP-04-0020	SCHLIESSRING ABS D. 400	
5	* SP-04-0013	FILTERFUSS D. 400		12	* SP-04-0033	SCHLIESSRING ABS D. 500	
5	* SP-04-0036	FILTERFUSS D. 500		12	* SP-04-0034	SCHLIESSRING ABS. D. 600	
6	SP-04-0014	FILTERSTOPFEN ABLASS 3/8"		13	* SP-04-0213	OBRES GEHÄUSE D.400	

* SIEHE ANMERKUGSBLATT



EINZELTEILE

ÜBER.: 0

9032

DATUM: 11/05/2022

BLATT: 2/3

CODE **FBIL-400-L, FBIL-500-L, FBIL-600-L**BESCHREIBUNG: **FILTER BILBAO D.400 500 600**

7	SP-04-0015	GEWINDESTÜCK 1 1/2" UND DICHTUNG KC	13	* SP-04-0214	OBRES GEHÄUSE D.500
8	SP-04-0016	DICHTUNG KONKAV 1 1/2"	13	* SP-04-0215	OBRES GEHÄUSE D.600
14	* SP-04-0021	SCHRAUBENSATZ SCHLIESSVORRICHTUNG	15	SP-04-0071	MANOMETER KOMPLETT
14	* SP-04-0035	SCHRAUBENSATZ SCHLIESSVORRICHTUNG			

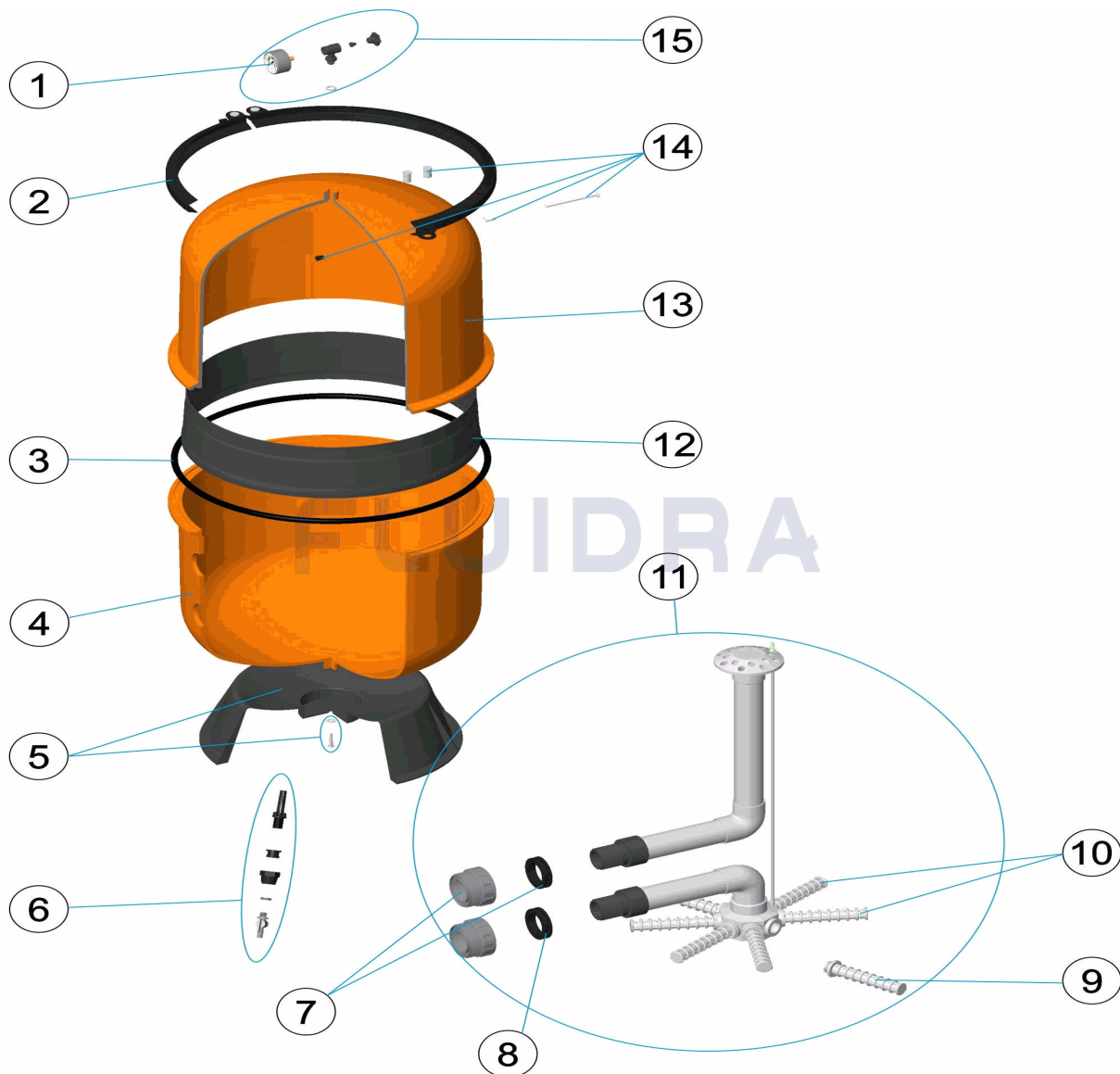
CODE **FBIL-400-L, FBIL-500-L, FBIL-600-L**

BESCHREIBUNG: **FILTER BILBAO D.400 500 600**

HINWEISE

POS	CODE	HINWEISE
2	* SP-04-0011	FÜR: FBIL-400-L
2	* SP-04-0023	FÜR: FBIL-500-L
2	* SP-04-0024	FÜR: FBIL-600-L
3	* SP-04-0012	FÜR: FBIL-400-L
3	* SP-04-0025	FÜR: FBIL-500-L
3	* SP-04-0026	FÜR: FBIL-600-L
4	* SP-04-0210	FÜR: FBIL-400-L
4	* SP-04-0211	FÜR: FBIL-500-L
4	* SP-04-0212	FÜR: FBIL-600-L
5	* SP-04-0013	FÜR: FBIL-400-L, FBIL-500-L
5	* SP-04-0036	FÜR: FBIL-600-L
9	* SP-04-0017	FÜR: FBIL-400-L [4UT]
9	* SP-04-0027	FÜR: FBIL-500-L [4UT]
9	* SP-04-0028	FÜR: FBIL-600-L [4UT]
10	* SP-04-0018	FÜR: FBIL-400-L
10	* SP-04-0029	FÜR: FBIL-500-L
10	* SP-04-0030	FÜR: FBIL-600-L
11	* SP-04-0019	FÜR: FBIL-400-L
11	* SP-04-0031	FÜR: FBIL-500-L
11	* SP-04-0032	FÜR: FBIL-600-L
12	* SP-04-0020	FÜR: FBIL-400-L
12	* SP-04-0033	FÜR: FBIL-500-L
12	* SP-04-0034	FÜR: FBIL-600-L
13	* SP-04-0213	FÜR: FBIL-400-L
13	* SP-04-0214	FÜR: FBIL-500-L
13	* SP-04-0215	FÜR: FBIL-600-L
14	* SP-04-0021	FÜR: FBIL-400-L, FBIL-500-L
14	* SP-04-0035	FÜR: FBIL-600-L

CODIGO **FBIL-400-L, FBIL-500-L, FBIL-600-L**

 DESCRIÇÃO: **FILTRO BILBAO D.400 500 600**


PORTUGUES

POS	CODIGO	DESCRIÇÃO	JANTIDADE	POS	CODIGO	DESCRIÇÃO	JANTIDADE
1	SP-04-0072	MANOMETRO 1/8" 3 KG./C "		9	* SP-04-0017	BRAÇO COLECTOR 3/4" 110M "	
2	* SP-04-0011	ANILHA ZINCADA D.400		9	* SP-04-0027	BRAÇO COLECTOR 3/4" 160M "	
2	* SP-04-0023	ANILHA ZINCADA D.500		9	* SP-04-0028	BRAÇO COLECTOR 3/4" 225M "	
2	* SP-04-0024	ANILHA ZINCADA D.600		10	* SP-04-0018	CJTO. BRAÇO COLECTOR D. 350	
3	* SP-04-0012	JUNTA TÓRICA FILTRO D. 400		10	* SP-04-0029	CJTO. BRAÇO COLECTOR D. 450 - 500	
3	* SP-04-0025	JUNTA TÓRICA FILTRO D. 500		10	* SP-04-0030	CJTO. BRAÇO COLECTOR D. 600	
3	* SP-04-0026	JUNTA TÓRICA FILTRO D. 600		11	* SP-04-0019	CJTO. INTERIOR BILBAO D. 400	
4	* SP-04-0210	PARTE INFERIOR D. 400		11	* SP-04-0031	CJTO. INTERIOR BILBAO D. 500	
4	* SP-04-0211	PARTE INFERIOR D.500		11	* SP-04-0032	CJTO. INTERIOR BILBAO D. 600	
4	* SP-04-0212	PARTE INFERIOR D.600		12	* SP-04-0020	ARO FECHO ABS D.400	
5	* SP-04-0013	PÉ FILTRO D. 400		12	* SP-04-0033	ARO FECHO ABS D.500	
5	* SP-04-0036	PÉ FILTRO D. 500		12	* SP-04-0034	ARO FECHO ABS D.600	
6	SP-04-0014	DRENO 3/8"		13	* SP-04-0213	PARTE SUPERIOR D.400	

* VEJA A FICHA DE OBSERVAÇÕES



ITEM

REV.: 0

9032

DATA: 11/05/2022

FOLHA: 2/3

CODIGO **FBIL-400-L, FBIL-500-L, FBIL-600-L**DESCRICAÇÃO: **FILTRO BILBAO D.400 500 600**

7	SP-04-0015	RACORD 1 1/2' + JUNTA CONCAVA	13	* SP-04-0214	PARTE SUPERIOR D.500
8	SP-04-0016	JUNTA CÓNCAVA 1 1/2"	13	* SP-04-0215	PARTE SUPERIOR D.600
14	* SP-04-0021	PARAFUSOS FECHO	15	SP-04-0071	MANÓMETRO COMPLETO
14	* SP-04-0035	PARAFUSOS FECHO D. 600			

CODIGO **FBIL-400-L, FBIL-500-L, FBIL-600-L**

DESCRIÇÃO: FILTRO BILBAO D.400 500 600

OBSERVAÇÕES

POS	CODIGO	OBSERVAÇÕES
2	* SP-04-0011	PARA: FBIL-400-L
2	* SP-04-0023	PARA: FBIL-500-L
2	* SP-04-0024	PARA: FBIL-600-L
3	* SP-04-0012	PARA: FBIL-400-L
3	* SP-04-0025	PARA: FBIL-500-L
3	* SP-04-0026	PARA: FBIL-600-L
4	* SP-04-0210	PARA: FBIL-400-L
4	* SP-04-0211	PARA: FBIL-500-L
4	* SP-04-0212	PARA: FBIL-600-L
5	* SP-04-0013	PARA: FBIL-400-L, FBIL-500-L
5	* SP-04-0036	PARA: FBIL-600-L
9	* SP-04-0017	PARA: FBIL-400-L [4UT]
9	* SP-04-0027	PARA: FBIL-500-L [4UT]
9	* SP-04-0028	PARA: FBIL-600-L [4UT]
10	* SP-04-0018	PARA: FBIL-400-L
10	* SP-04-0029	PARA: FBIL-500-L
10	* SP-04-0030	PARA: FBIL-600-L
11	* SP-04-0019	PARA: FBIL-400-L
11	* SP-04-0031	PARA: FBIL-500-L
11	* SP-04-0032	PARA: FBIL-600-L
12	* SP-04-0020	PARA: FBIL-400-L
12	* SP-04-0033	PARA: FBIL-500-L
12	* SP-04-0034	PARA: FBIL-600-L
13	* SP-04-0213	PARA: FBIL-400-L
13	* SP-04-0214	PARA: FBIL-500-L
13	* SP-04-0215	PARA: FBIL-600-L
14	* SP-04-0021	PARA: FBIL-400-L, FBIL-500-L
14	* SP-04-0035	PARA: FBIL-600-L