

# DESPIECE

REV.: 0

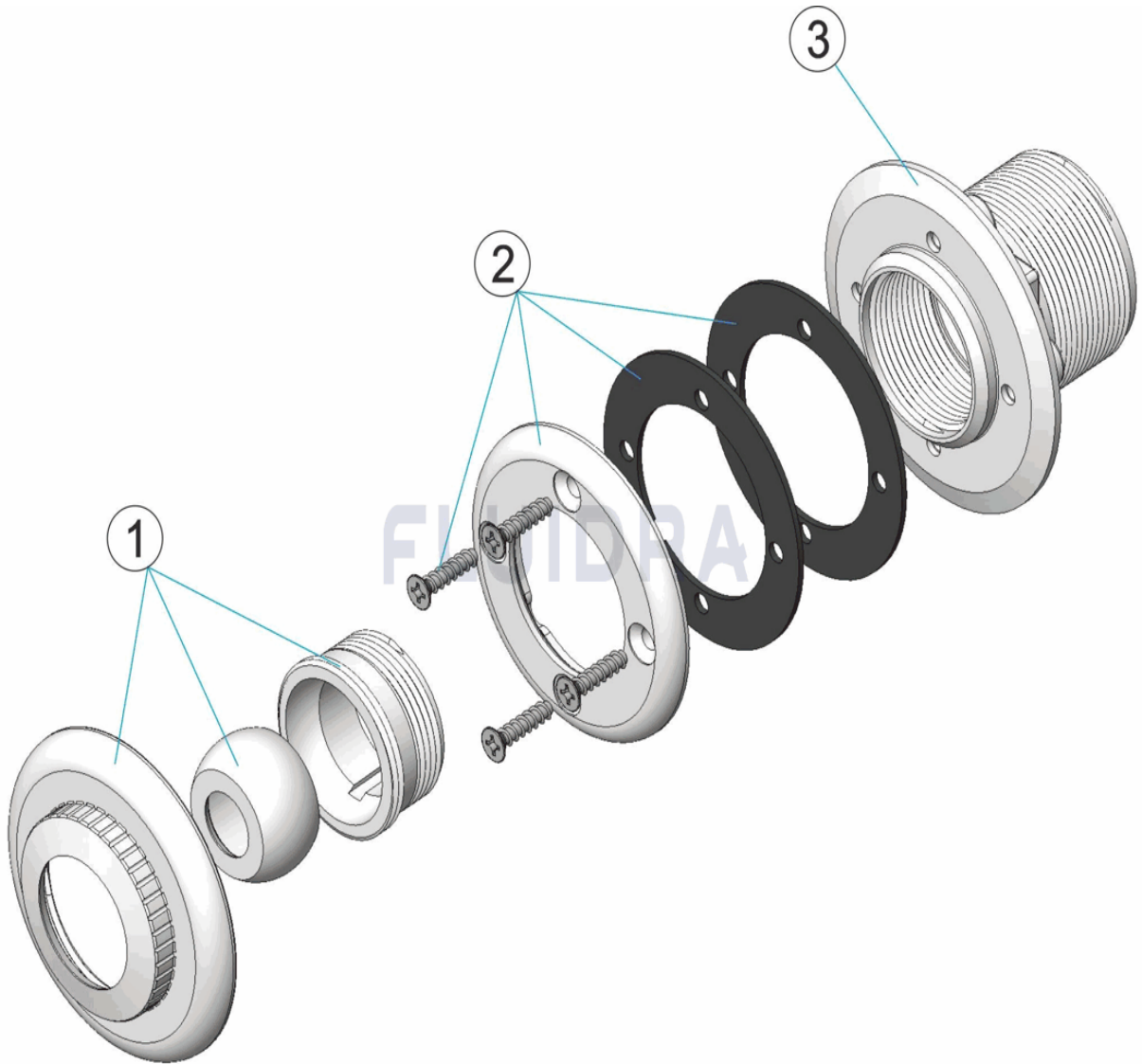
852

FECHA: 09/01/2013

HOJA: 1/6

CODIGO 34422CL125

DESCRIPCION: BOQUILLA IMPULSION PF. PISCINAS EASY-LINE

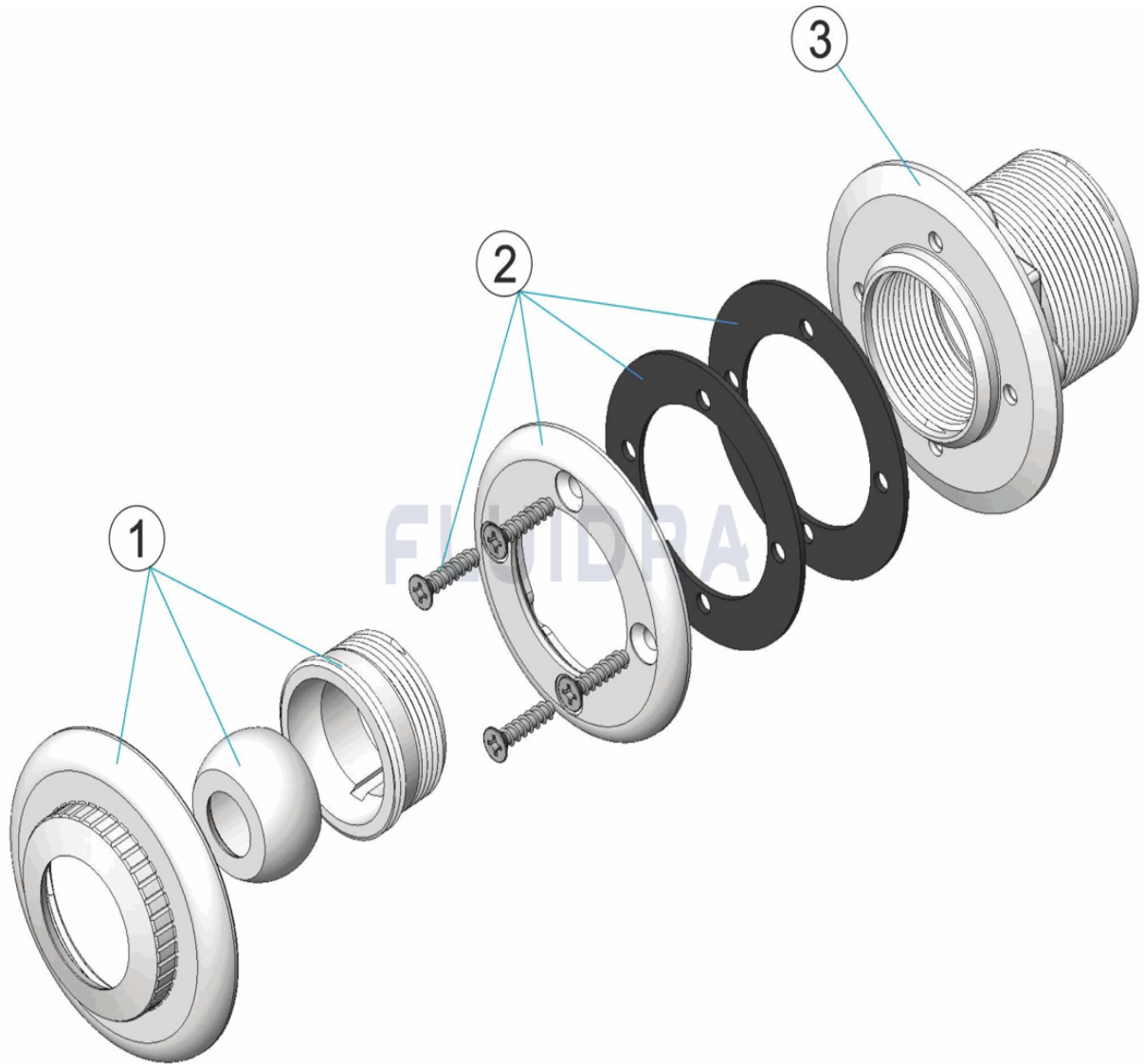


## ESPAÑOL

POS	CODIGO	DESCRIPCION	CANTIDAD	POS	CODIGO	DESCRIPCION	CANTIDAD
1	4402040018	BOLA COMPLETA		3	34411R0003	CUERPO BOQUILLA 100X54,5 LINER / INT. E	
2	4402044802	ARO Y JUNTA PISC. PREF.					

CODE                    **34422CL125**

DESCRIPTION: **BUSE REFOULEMENT PIS. PRÉF. EASY-LINE**



**FRANCAIS**

POS	CODE	DESCRIPTION	QUANTITE	POS	CODE	DESCRIPTION	QUANTITE
1	4402040018	ENSEMBLE ROTULE COMPLET		3	34411R0003	CORPS BUSE 100X54,5 / LINER / INT. COLL	
2	4402044802	JOINT ET BRIDE POUR LINER					

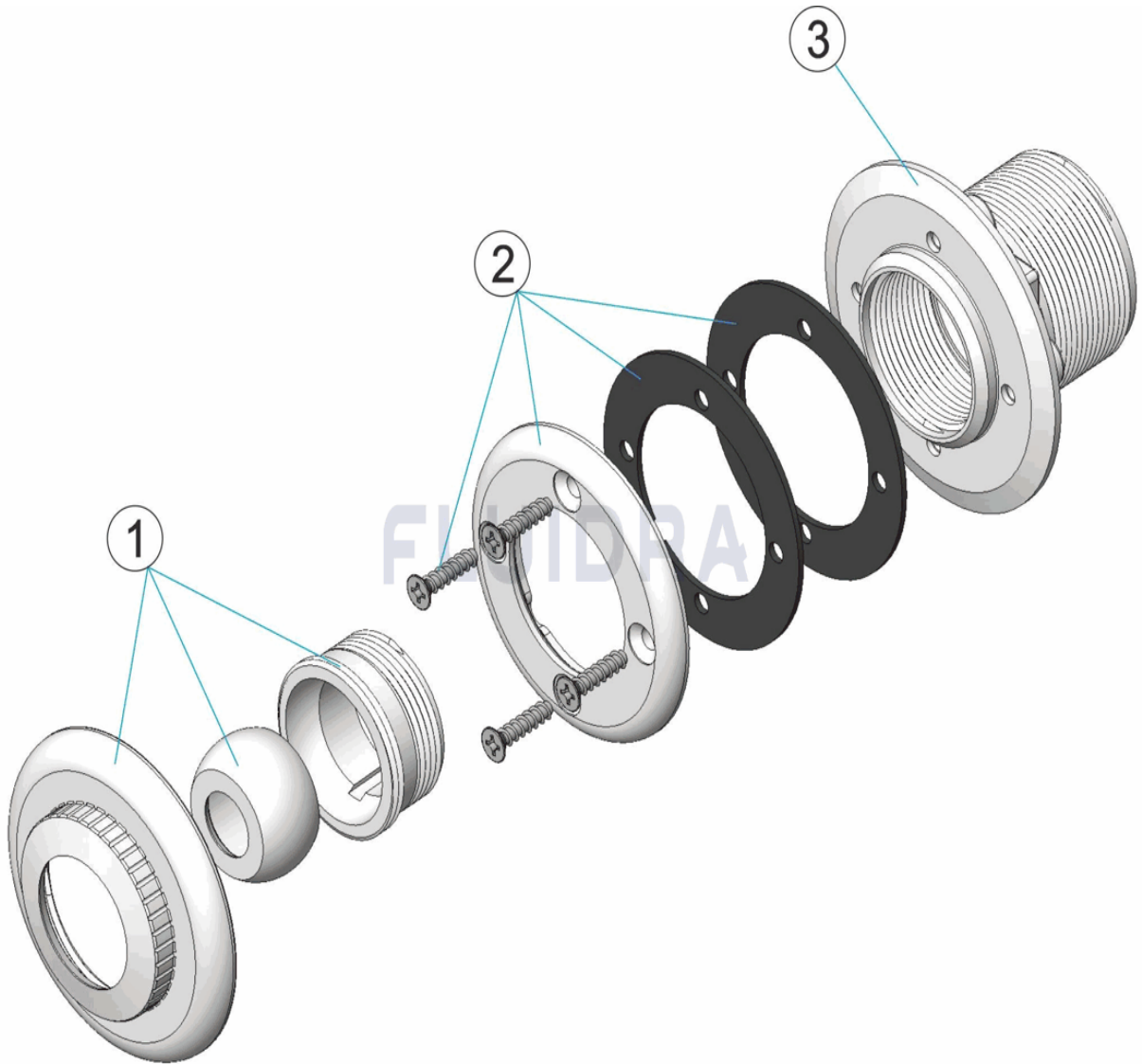
# PARTS BREAKDOWN

REV.: 0  
DATE: 09/01/2013  
SHEET: 3/6

852

CODE 34422CL125

DESCRIPTION: RETURN INLET PREFAB POOL, EASY-LINE



**ENGLISH**

POS	CODE	DESCRIPTION	QUANTITY	POS	CODE	DESCRIPTION	QUANTITY
1	4402040018	EYEBALL ASSEMBLY		3	34411R0003	100X54.5 NOZZLE BODY/LINER/INT.SOLVENT	
2	4402044802	RING AND GASKET FOR LINER POOLS					

# ESPLOSO

REV.: 0

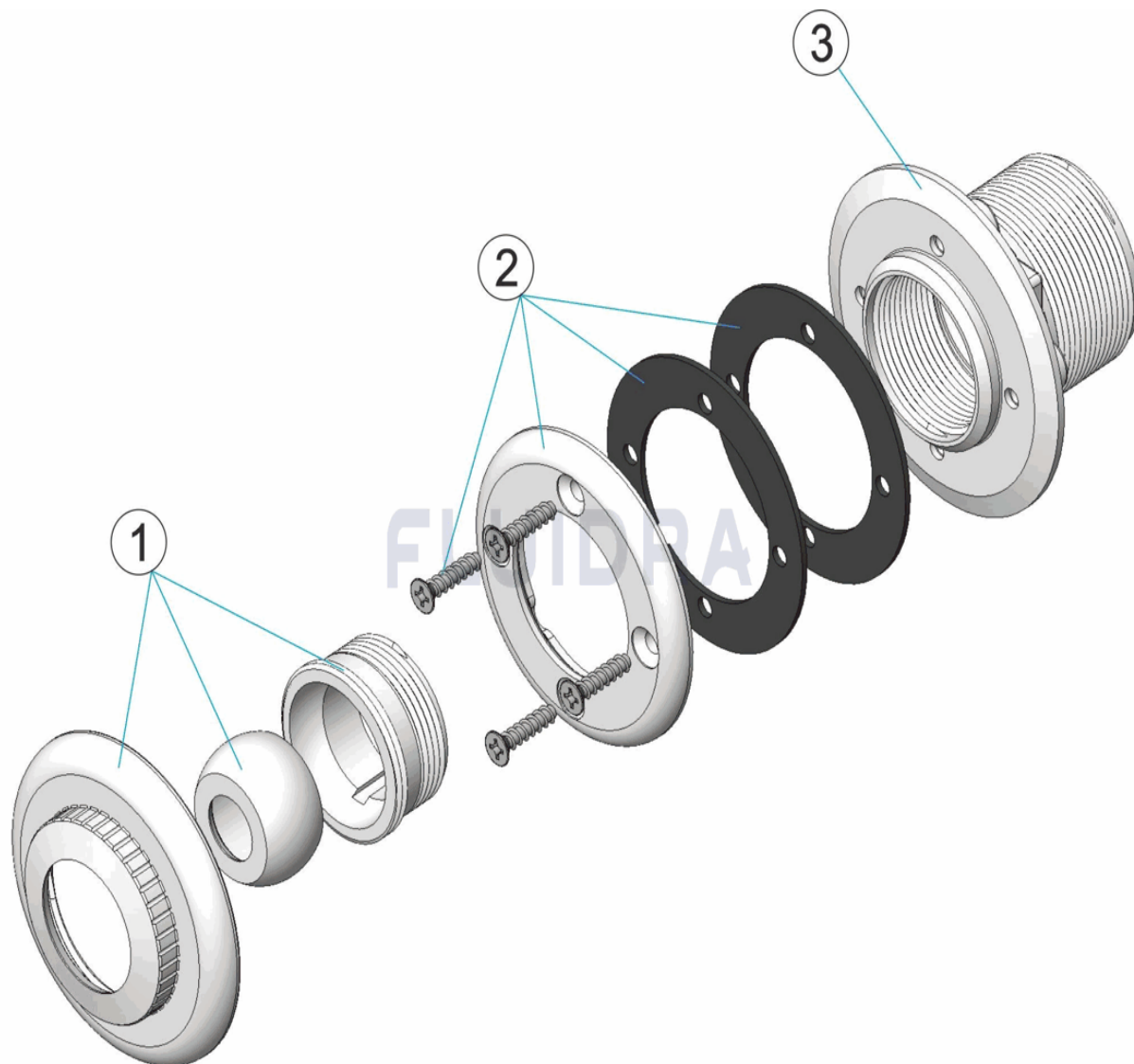
852

DATA: 09/01/2013

PAG.: 4/6

CODICE 34422CL125

DESCRIZIONE: BOCCHETTA IMPULSIONE PISC. PREF. EASY-LINE



## ITALIANO

POS	CODICE	DESCRIZIONE	QUANTITA'	POS	CODICE	DESCRIZIONE	QUANTITA'
1	4402040018	SFERA COMPLETA		3	34411R0003	CORPO BOCCHETTA 100X54,5/LINER/INT. II	
2	4402044802	COPRIFLANGIA E GUARNIZIONE PISC. PRI					

# EINZELTEILE

ÜBER.: 0

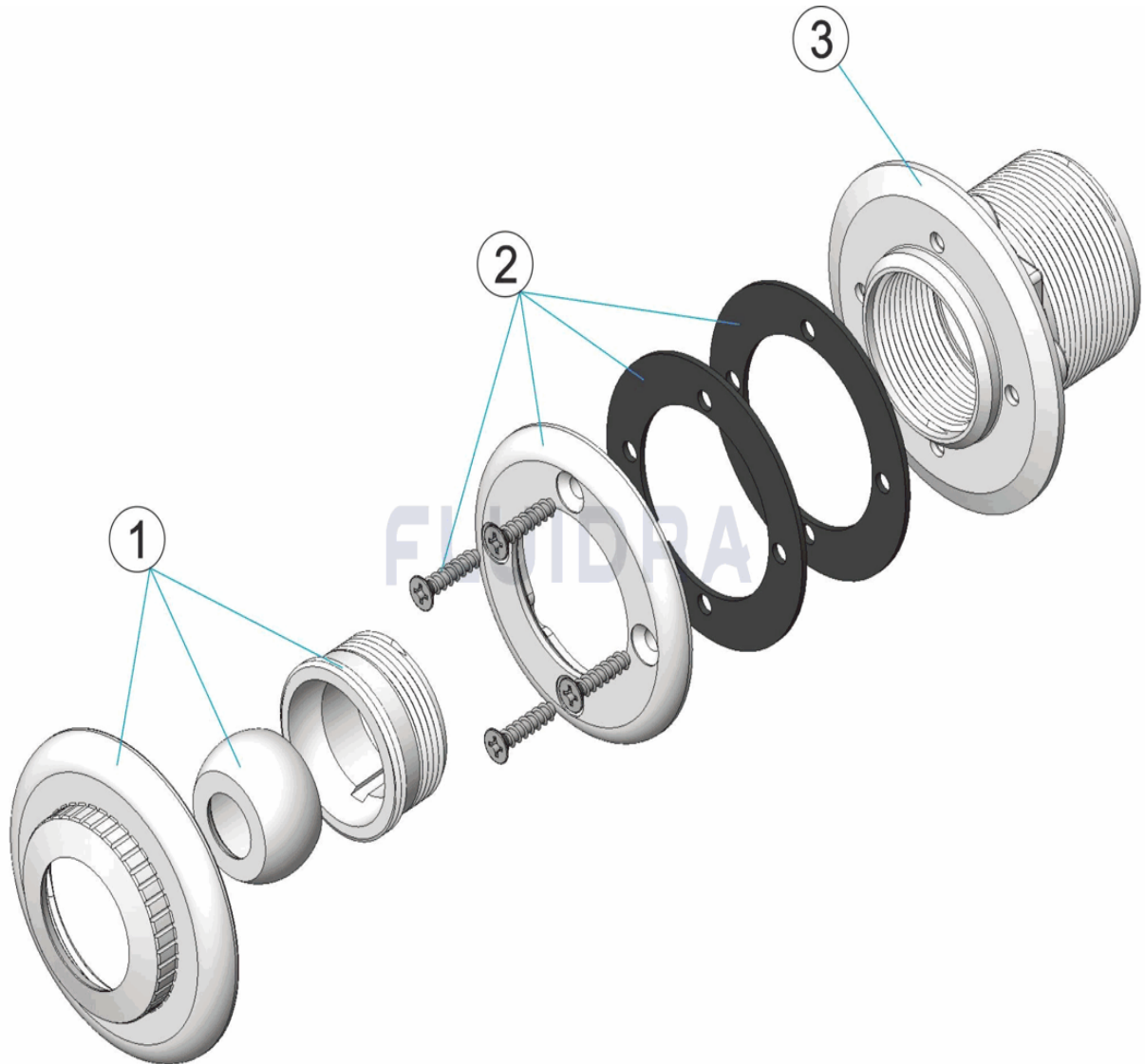
852

DATUM: 09/01/2013

BLATT: 5/6

CODE **34422CL125**

BESCHREIBUNG: EINLAUFDÜSE PF. BECKEN EASY-LINE



**DEUTSCH**

POS	CODE	BESCHREIBUNG	MENGE	POS	CODE	BESCHREIBUNG	MENGE
1	4402040018	KUGEL KOMPLETT		3	34411R0003	GEHÄUSE DÜSE 100 X 54,5 FOLIE / INT. ZU	
2	4402044802	RING UND DICHTUNG FERTIGBECKEN					

# ITEM

REV.: 0

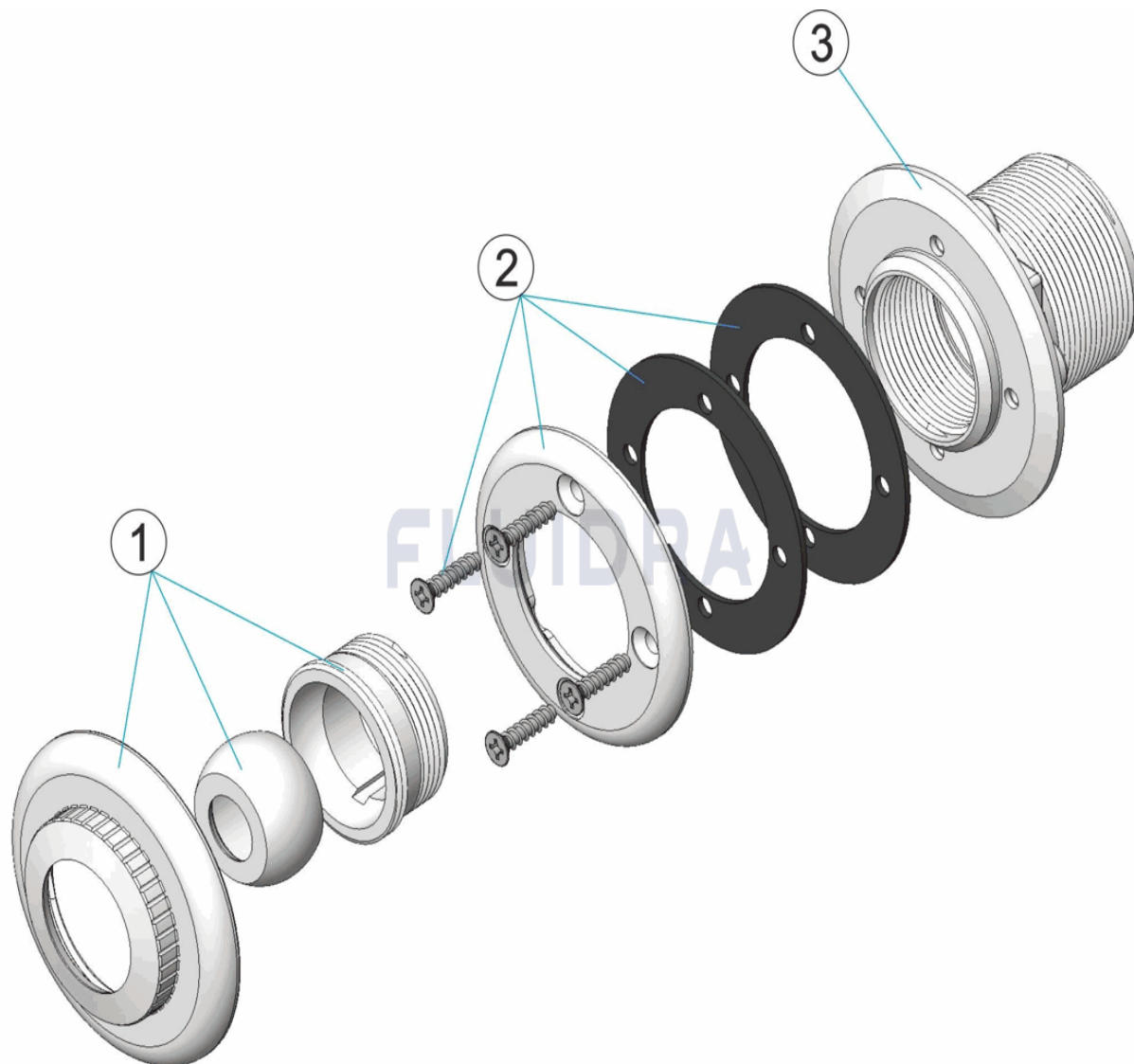
852

DATA: 09/01/2013

FOLHA: 6/6

CODIGO **34422CL125**

DESCRIÇÃO: **BOQUILHA IMPULSÃO PIS. PRÉ-F, EASY-LINE**



**PORTUGUES**

POS	CODIGO	DESCRIÇÃO	JANTIDADE	POS	CODIGO	DESCRIÇÃO	JANTIDADE
1	4402040018	BOLA MULTIFLOW COMPLETA		3	34411R0003	PEÇA BOCAL 100X54,5/LINER/INT. COLÁVE	
2	4402044802	ARO E JUNTA PISCINA PRE-FABRICADA					