

# DESPIECE

REV.: 1

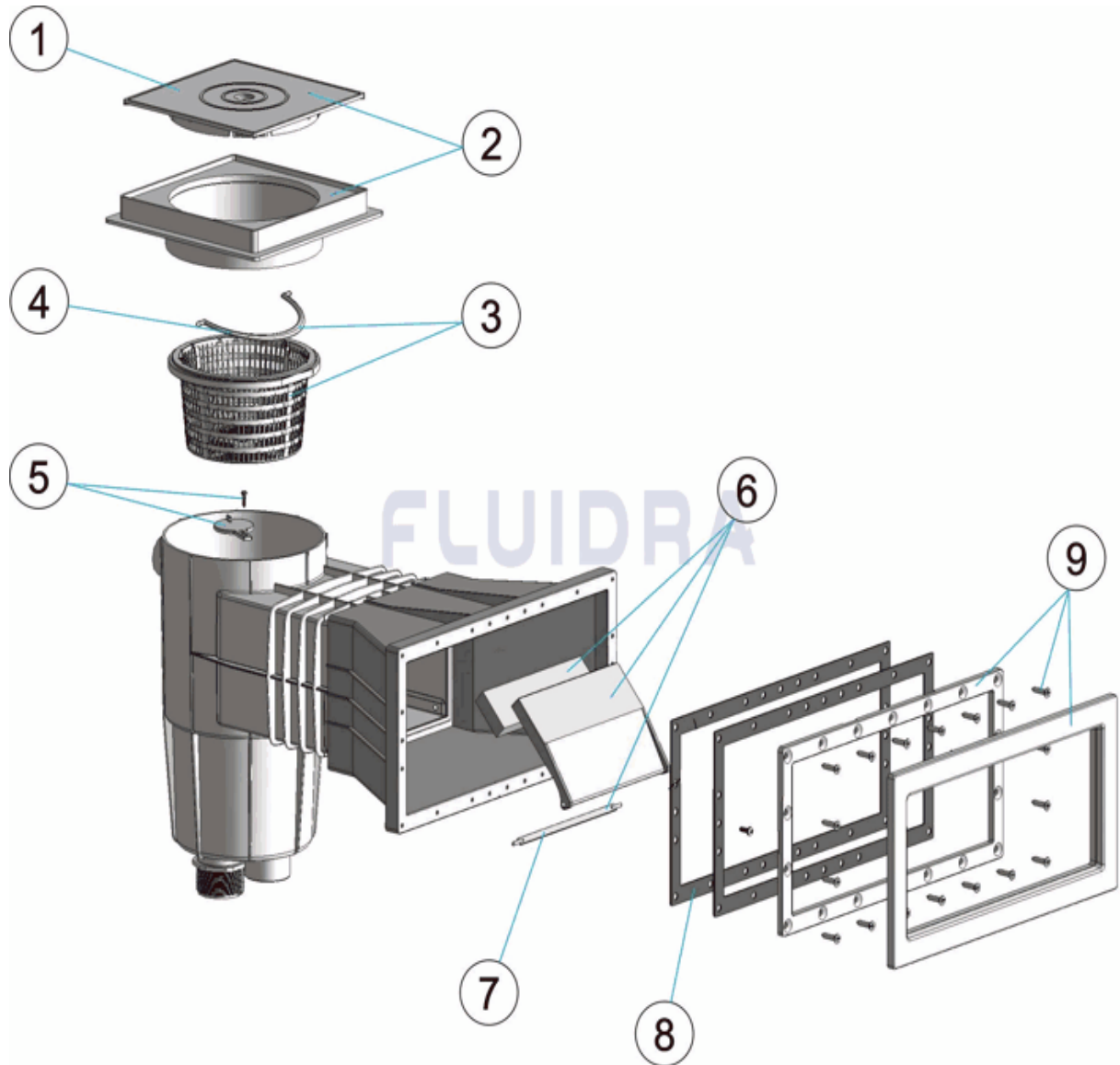
846

FECHA: 27/04/2018

HOJA: 1/6

CODIGO 34413CL129

DESCRIPCION: SKIMMER 15L PP T. CUADRADA B. AMPLIACION PISCINAS EASY-LINE

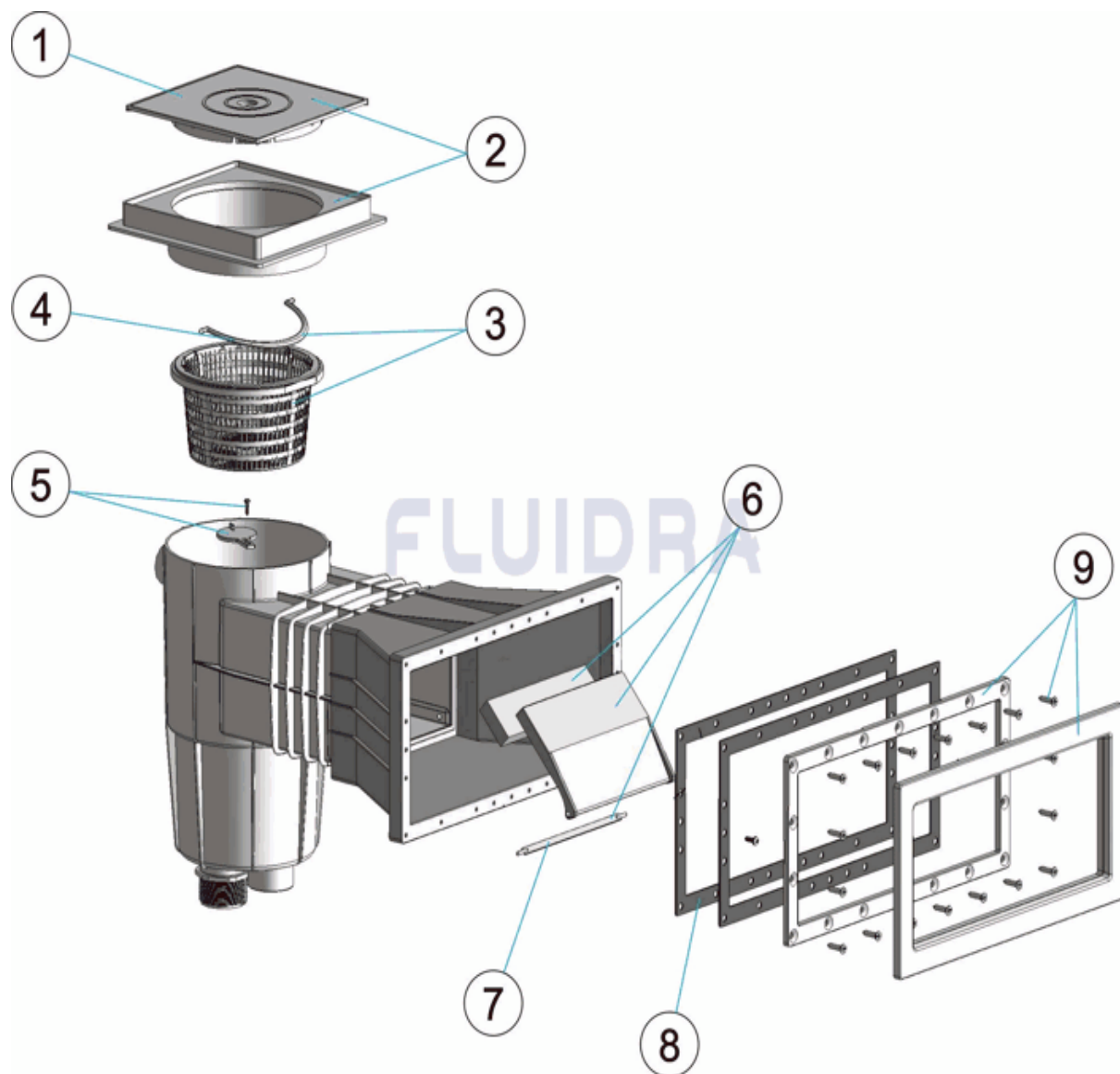


## ESPAÑOL

POS	CODIGO	DESCRIPCION	CANTIDAD	POS	CODIGO	DESCRIPCION	CANTIDAD
1	4402013706	TAPA CUADRADA SKIMMER		6	4402010030	CONJUNTO COMPUERTA SKIMMER + FLOT	
2	4402013704	TAPA Y ARO CUADRADO SKIMMER		7	4402010110A	BISAGRA COMPUERTA	
3	4402010103A	CESTO SKIMMER		8	4402010407	JUNTA SKIMMER GRANDE PISC. PREF.	
4	4402010111	ASA CESTO SKIMMER		9	4402010031	MARCO CON TAPA SKIMMER	
5	4402010102A	CLAPETA SKIMMER					

CODE **34413CL129**

DESCRIPTION: **SKIMMER 15L PP .STD. C. CARRÉ**



**FRANCAIS**

POS	CODE	DESCRIPTION	QUANTITE	POS	CODE	DESCRIPTION	QUANTITE
1	4402013706	COUVERCLE CARRE SKIMMER		6	4402010030	VOLET ET CHARNIERE SKIMMER	
2	4402013704	COUVERCLE ET CADRE CARRE SKIMMER		7	4402010110A	CHARNIERE VOLET	
3	4402010103A	PANIER SKIMMER		8	4402010407	JOINT SKIM GRAND MOD PISCINE LINER	
4	4402010111	ANSE PANIER SKIMMER		9	4402010031	COUVERCLE ET CADRE DE SKIMMER	
5	4402010102A	CLAPET SKIMMER					

# PARTS BREAKDOWN

REV.: 1

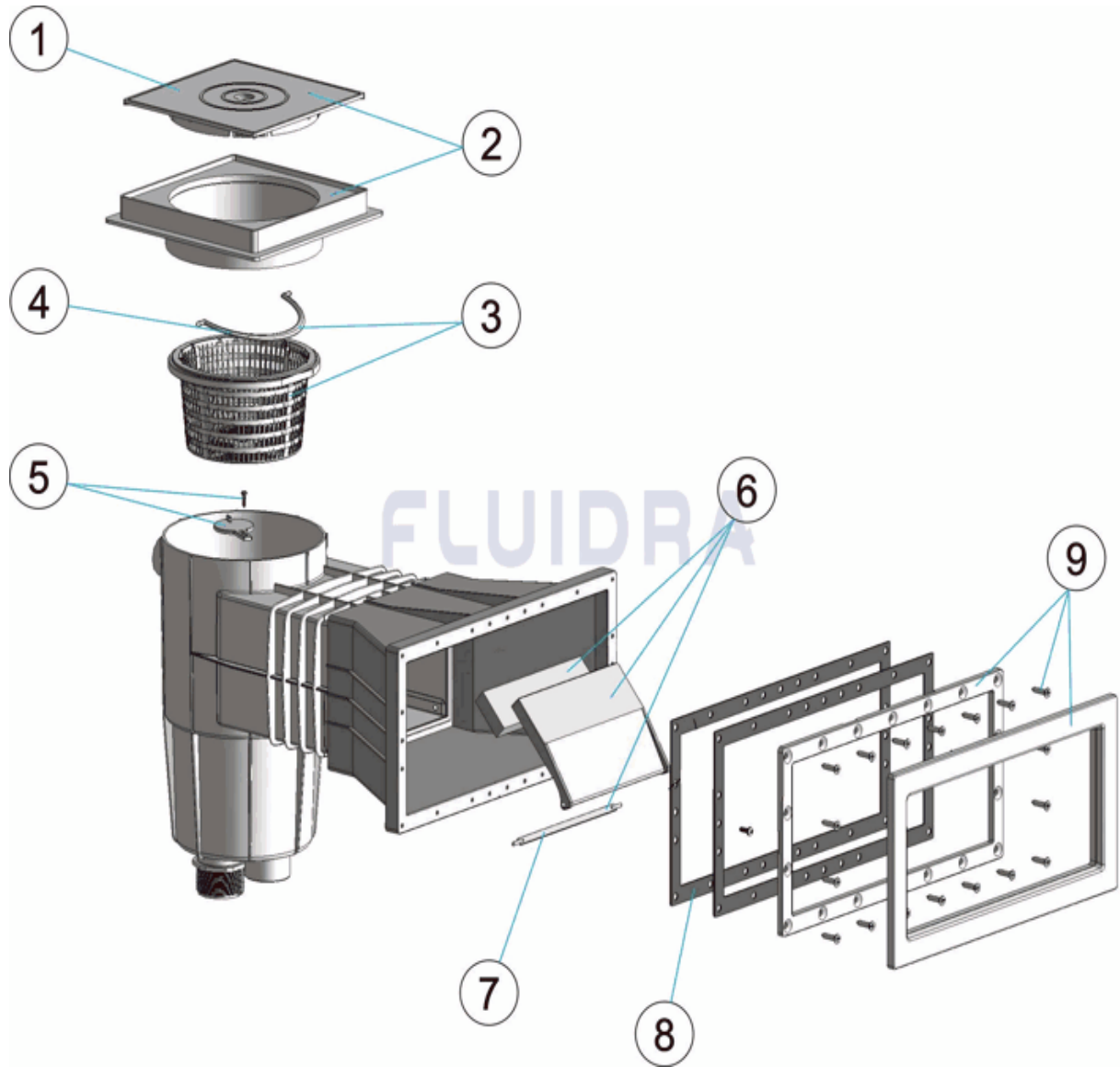
846

DATE: 27/04/2018

SHEET: 3/6

CODE **34413CL129**

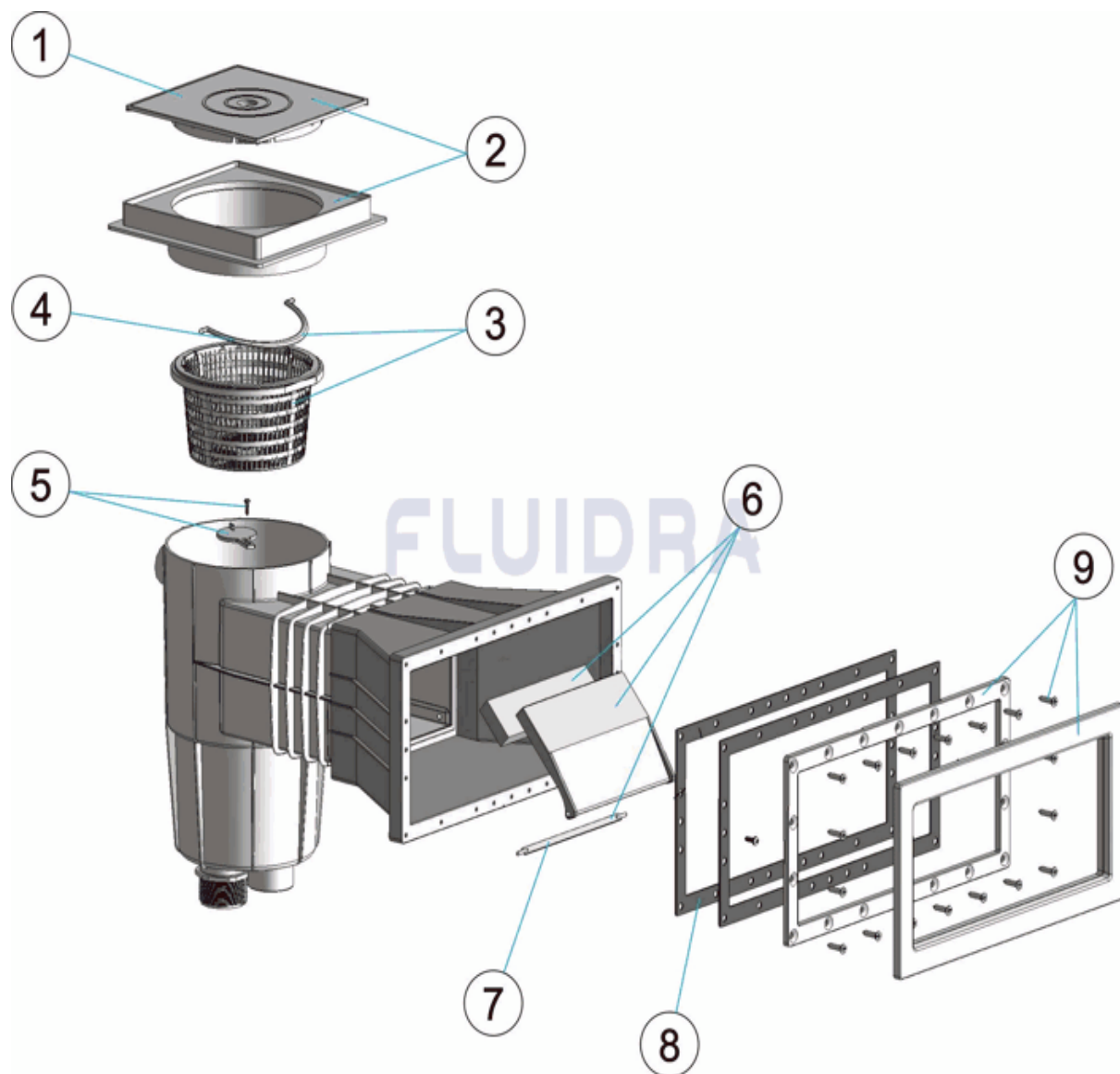
DESCRIPTION: **SKIMMER 15L PP. STD. SQUARE COVER**



## ENGLISH

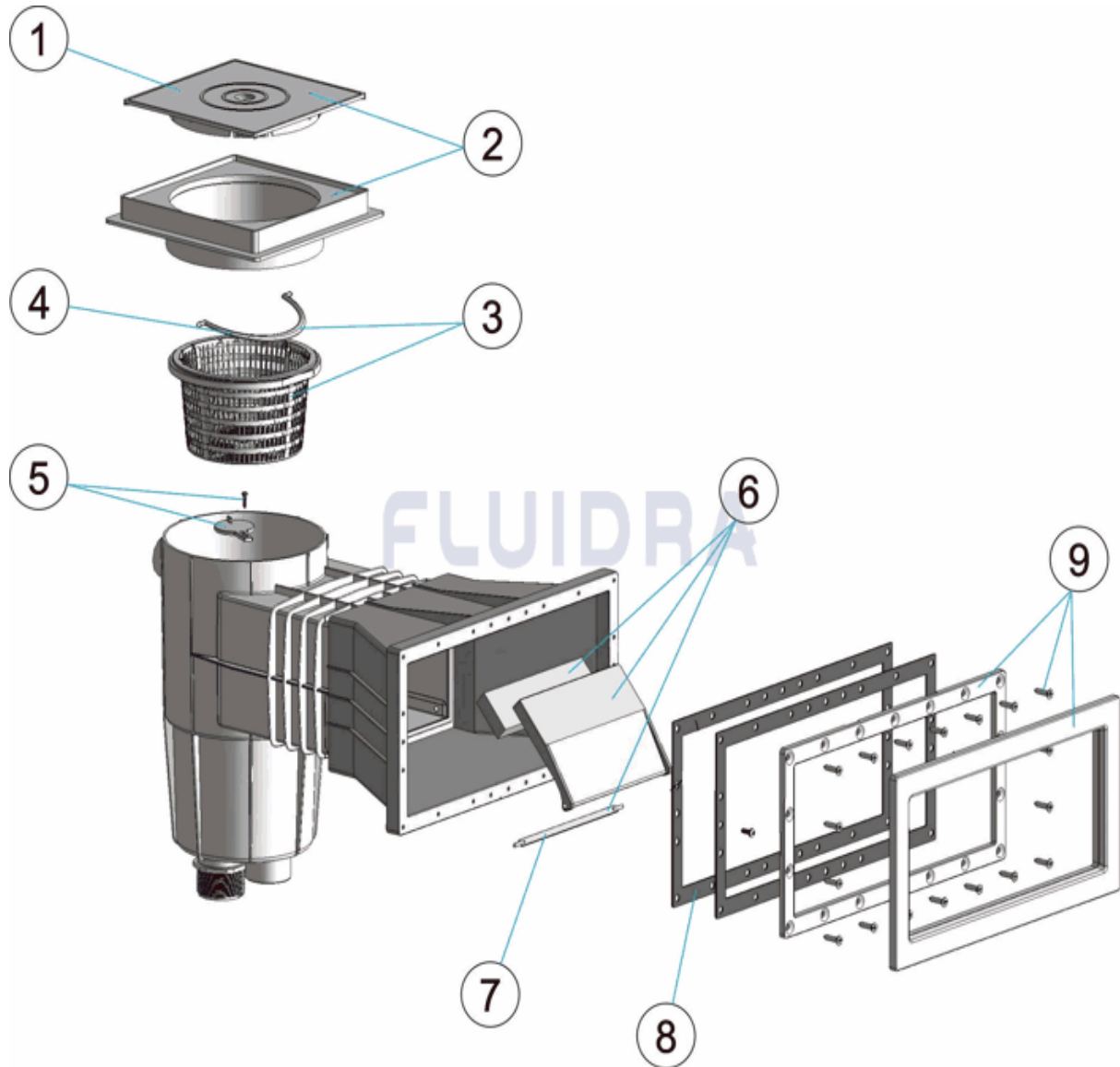
POS	CODE	DESCRIPTION	QUANTITY	POS	CODE	DESCRIPTION	QUANTITY
1	4402013706	SQUARE SKIMMER LID		6	4402010030	FLAP RETAINING CLIP	
2	4402013704	SQUARE LID AND LID FRAME		7	4402010110A	HINGE FLAP	
3	4402010103A	SKIMMER BASKET		8	4402010407	LARGE SKIMMER GASKETS FOR LINER	
4	4402010111	SKIMMER BASKET HANDLE		9	4402010031	LID AND FRAME	
5	4402010102A	KEYHOLE FLAP					

CODICE **34413CL129**

 DESCRIZIONE: **SKIMMER 15L PP STD. T. QUADRATO**

**ITALIANO**

POS	CODICE	DESCRIZIONE	QUANTITA'	POS	CODICE	DESCRIZIONE	QUANTITA'
1	4402013706	COPERCHIO QUADRO SKIMMER		6	4402010030	BATTENTE SKIMMER CON PERNO	
2	4402013704	COPERCHIO E CORNICE QUADRA SKIMME		7	4402010110A	CERNIERE BATTENTE	
3	4402010103A	CESTELLO SKIMMER		8	4402010407	GUARNIZIONE PER SKIMMER BOCCA A V P	
4	4402010111	MANIGLIA PANIER SKIMMER		9	4402010031	CORNICE CON COPERCHIO SKIMMER	
5	4402010102A	ALETTA PARZIALIZZATRICE SKIMMER					

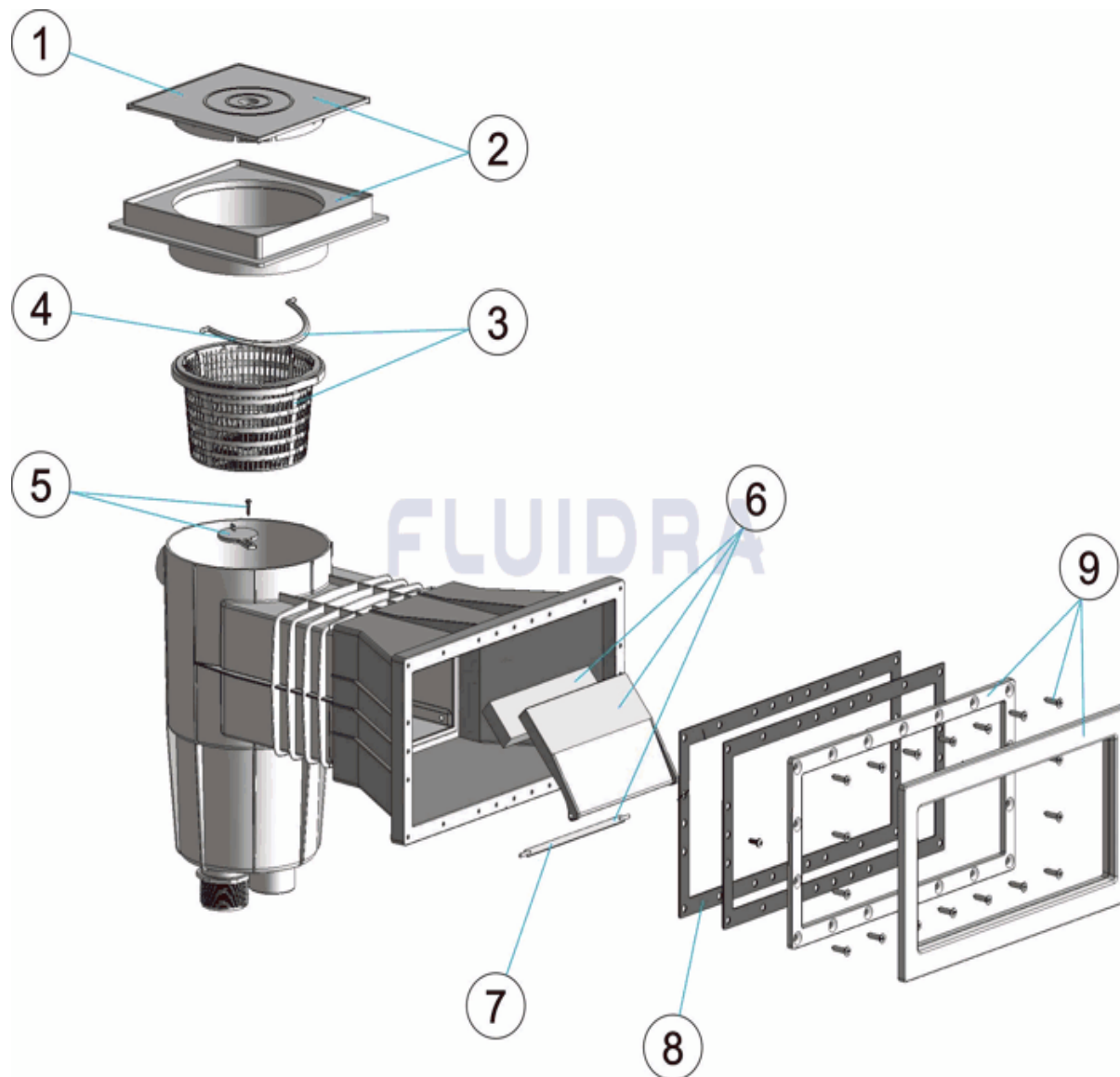
CODE **34413CL129**

 BESCHREIBUNG: **SKIMMER 15L PP ABDECKUNG QUADRATISCH EINLASS ERWEITERT B**

**DEUTSCH**

POS	CODE	BESCHREIBUNG	MENGE	POS	CODE	BESCHREIBUNG	MENGE
1	4402013706	ABDECKUNG QUADRATISCH SKIMMER		6	4402010030	SET SKIMMERKLAPPE MIT SCHWIMMER	
2	4402013704	ABDECKUNG UND RING SKIMMER QUADR		7	4402010110A	SCHARNIER Klappe	
3	4402010103A	SKIMMERKORB		8	4402010407	DICHTUNG SKIMMER GROSS FERTIGBECK	
4	4402010111	GRIFF SKIMMKORB		9	4402010031	RAHMEN MIT SKIMMERDECKEL	
5	4402010102A	ABDECKKAPPE					

CODIGO 34413CL129

DESCRICAÇÃO: SKIMMER 15 L PP B. LARGA T. QUADRADA



## PORTUGUES

POS	CODIGO	DESCRICAÇÃO	JANTIDADE	POS	CODIGO	DESCRICAÇÃO	JANTIDADE
1	4402013706	TAMPA QUADRADA SKIMMER		6	4402010030	COMPORTA SKIMMER BISAGRA	
2	4402013704	TAMPA E ARO QUADRADO SKIMMER		7	4402010110A	DOBRADIÇA COMPORTA	
3	4402010103A	CESTO SKIMMER		8	4402010407	JUNTA GRANDE DE SKIMMER	
4	4402010111	ALSA CESTA SKIMMER		9	4402010031	ARO COM TAMPA SKIMMER	
5	4402010102A	CLAPETA SKIMMER					