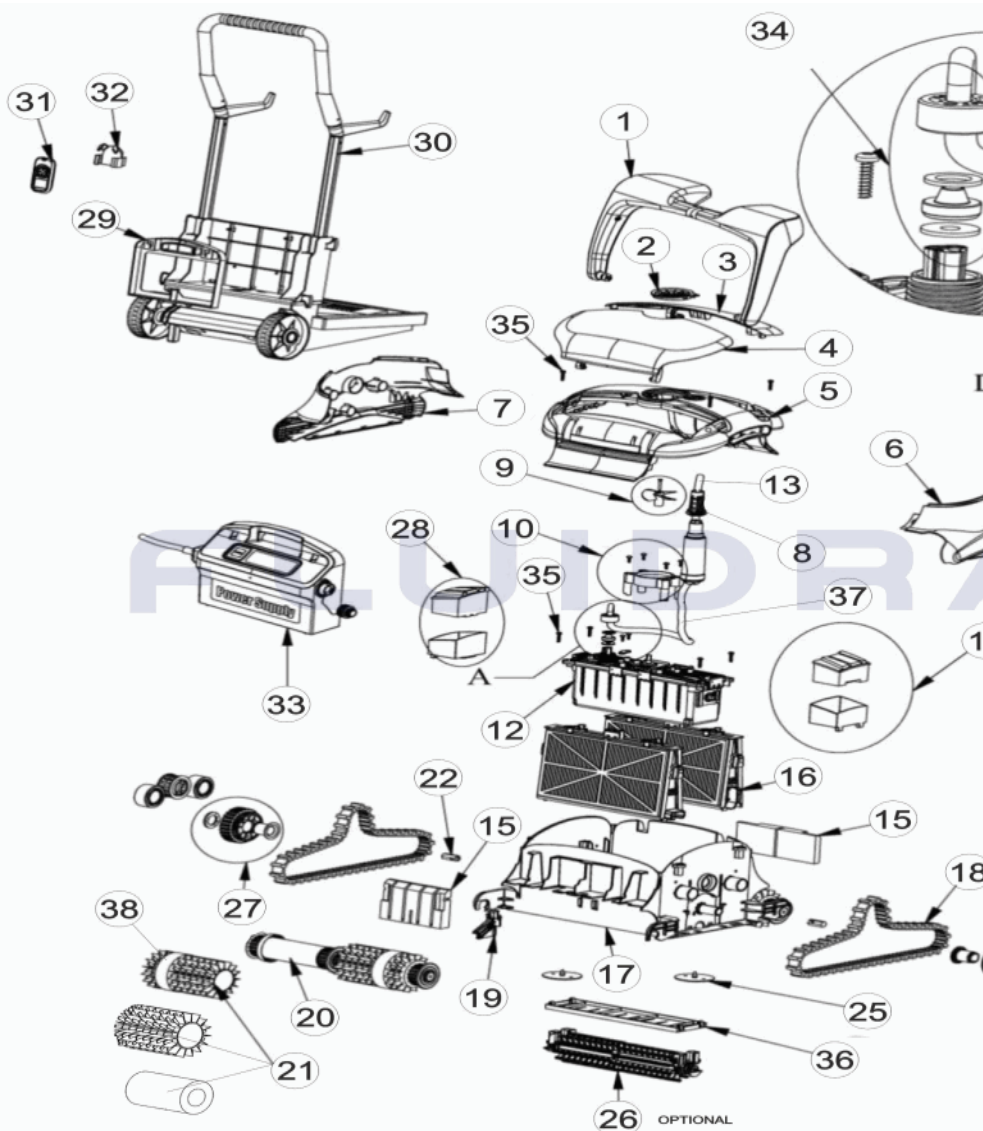


CODIGO **46663**

DESCRIPCION: **DOLPHIN PULIT E90**



**ESPAÑOL**

| POS | CODIGO        | DESCRIPCION                      | CANTIDAD | POS | CODIGO        | DESCRIPCION                         | CANTIDAD |
|-----|---------------|----------------------------------|----------|-----|---------------|-------------------------------------|----------|
| 1   | 99957041-ASSY | ASA PARA PULIT                   |          | 14  | 9982332       | BRIDA PARA CABLE                    |          |
| 2   | 9980705       | CUBIERTA IMPULSION PULIT 2010    |          | 15  | 9991075-ASSY  | CJTO. FLOTADORES                    |          |
| 3   | 9980707       | TAPA TRASERA FILTRO              |          | 16  | 9991432-ASSY  | CARTUCHOS PARA FILTROS PULIT 2010   |          |
| 4   | 9980706       | TAPA FRONTAL FILTRO              |          | 16  | 9991433-ASSY  | CARTUCHO PRIMAVER PULIT 2010        |          |
| 5   | 99952031-ASSY | CARCASA DE PULIT E90             |          | 17  | 9980702       | CARCASA PULIT 2010                  |          |
| 6   | 9980712       | PANEL LATERAL DERECHO PULIT 90   |          | 18  | 9985006       | CORREA TRACCION GRIS-MODELO 2007    |          |
| 7   | 9980713       | PANEL LATERAL IZQUIERDO PULIT 90 |          | 19  | 9980741       | SOPORTE DE CEIPLLOS PULIT 2010      |          |
| 8   | 9980880       | SUJETA CABLE PULIT 2010          |          | 20  | 99955956-ASSY | RODILLO TRACCION PULIT 2010         |          |
| 9   | 9995266       | TURBINA NEGRA PULIT 2010         |          | 21  | 6101645       | CEPILLO PVC PARA CB AMARILLO (DYNAM |          |
| 10  | 9991044-ASSY  | PROTECTOR TURBINA PULIT 2010     |          | 21  | 6101620       | CEPILLO PVC AMARILLO                |          |
| 11  | 9991074-ASSY  | FLOTADOR DERECHO INTERIOR        |          | 21  | 9995560-ASSY  | CEPILLO PARA LIMPIAFONDO "MAGIC" DY |          |
| 12  | 9995382-ASSY  | MOTOR PULIT 2010                 |          | 22  | 3865005       | ADAPTADOR HEXAGONAL POLEA NUEVA     |          |
| 12  | 9995382-EX    | MOTOR PULIT 2010 EX              |          | 23  | 3884997       | RUEDA GUIA DOLPHIN                  |          |

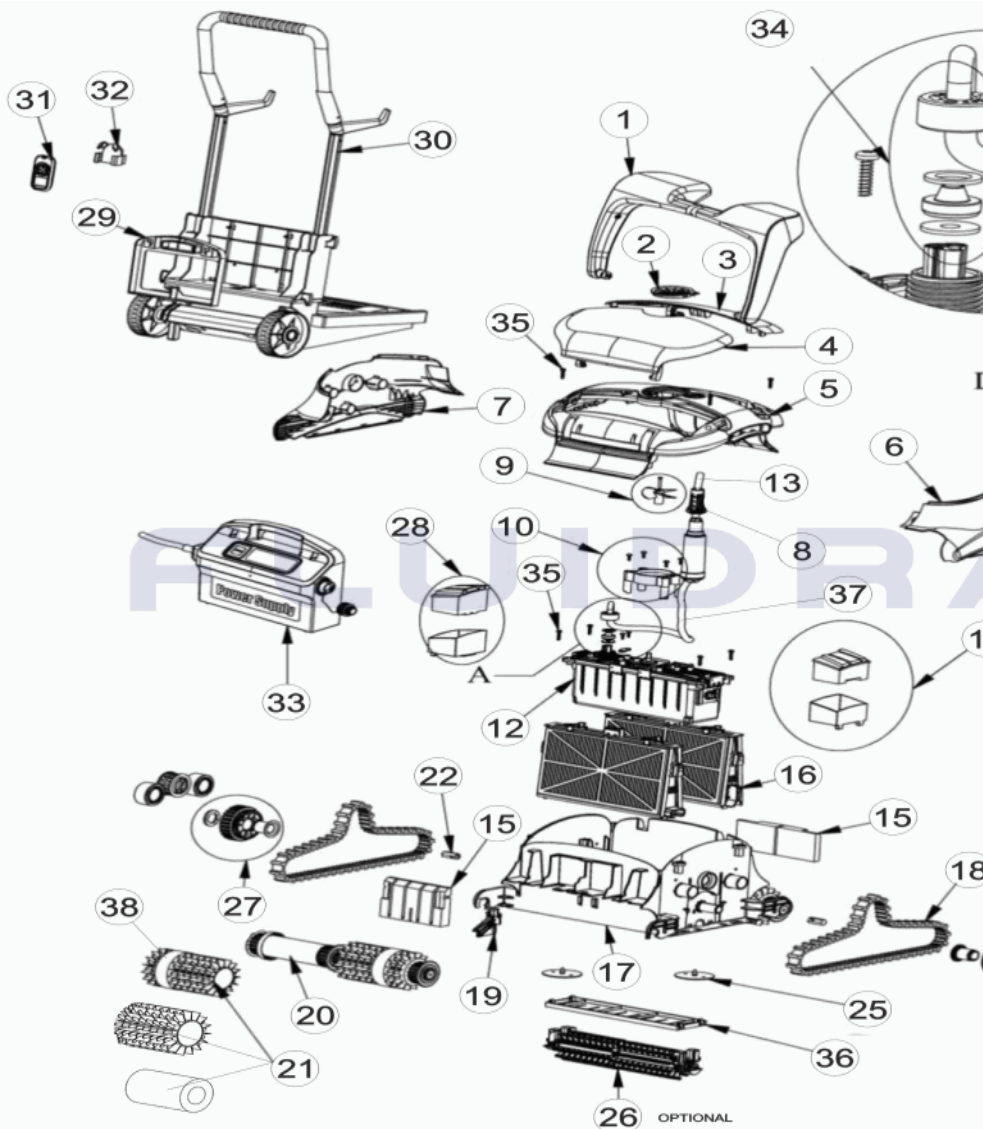
CODIGO **46663**

DESCRIPCION: **DOLPHIN PULIT E90**

|    |               |                                    |    |              |                                    |
|----|---------------|------------------------------------|----|--------------|------------------------------------|
| 13 | 9995861-ASSY  | CABLE CON GIRO 18 M. DIAGNOSTIC    | 24 | 3883645      | POLEA PARA LIMPIAFONDOS 2 X 2      |
| 13 | 9995851-ASSY  | CABLE DIAGNOSTIC 18 M. ASSY        | 25 | 9991046-ASSY | PAR DE DIAFRAGMAS 2010             |
| 26 | 9995541-ASSY  | CEPILLO PULIT ACTIVE BRUSH         | 33 | 9995671-ASSY | TRANSFORMADOR PULIT E90 2010       |
| 27 | 9991043-ASSY  | ENGRANAJE CORREA DE TRACCION       | 34 | 9991273      | CJTO. CONEXION MOTOR               |
| 28 | 9991073-ASSY  | FLOTADOR IZQUIERDO INTERIOR        | 35 | 3379720-A    | TORNILLO K50X20                    |
| 29 | 9980038       | ADAPTADOR DEL TRANSFORMADOR AL C.  | 36 | 9980700      | TAPA INFERIOR                      |
| 30 | 9996096       | CARRO PORTA DOLPHIN DB             | 37 | 9995807-ASSY | CABLE FLOTADOR CON GIRO 1,2 METROS |
| 31 | 99954226-ASSY | MANDO A DISTANCIA PULIT E90        | 38 | 6101611      | ARO CEPILLO MAGIC PARA CB          |
| 32 | 9980763       | SOPORTE MANDO A DISTANCIA DEL CARF |    |              |                                    |

CODE 46663

DESCRIPTION: DOLPHIN PULIT E90



FRANCAIS

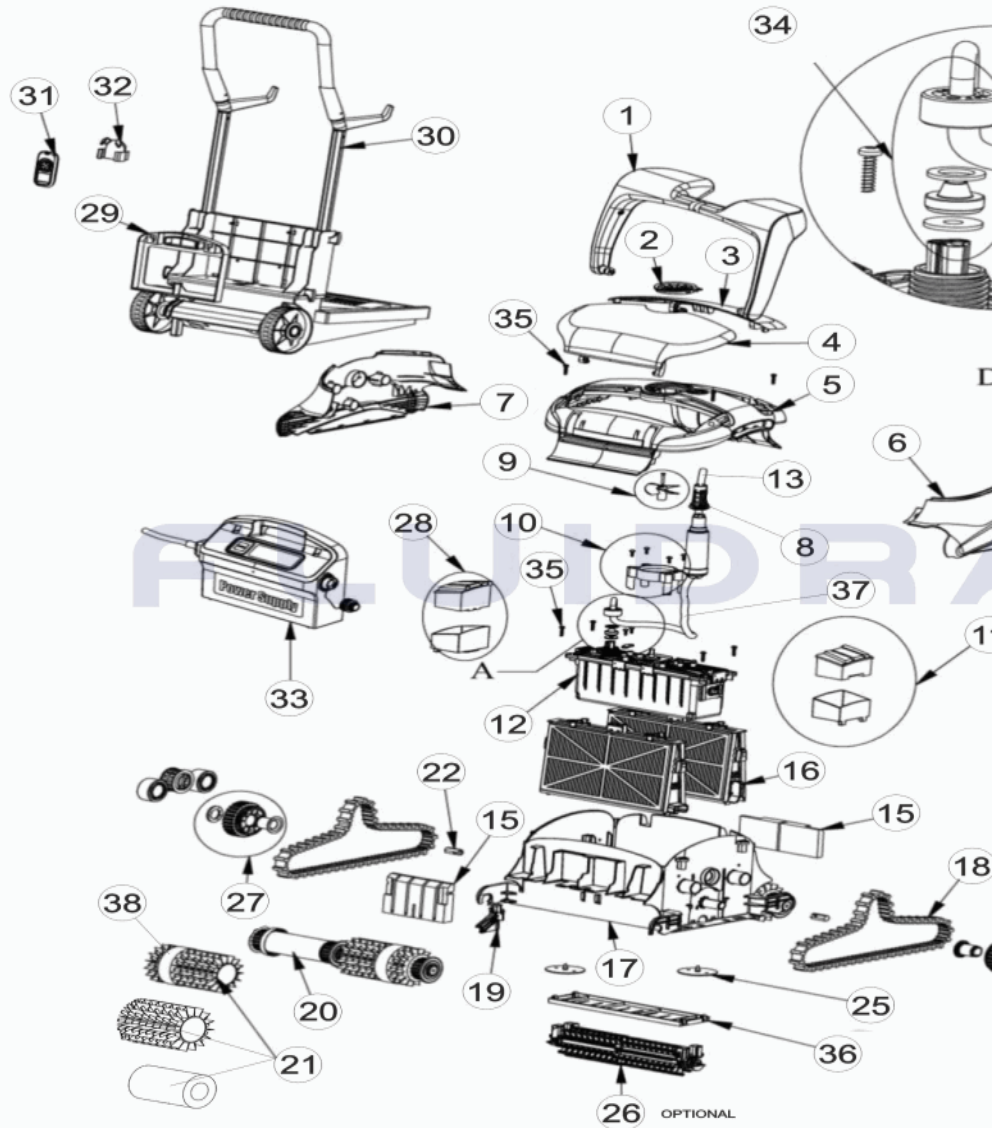
| POS | CODE          | DESCRIPTION                     | QUANTITE | POS | CODE          | DESCRIPTION                          | QUANTITE |
|-----|---------------|---------------------------------|----------|-----|---------------|--------------------------------------|----------|
| 1   | 99957041-ASSY | POIGNEE PULIT E70/E90           |          | 14  | 9982332       | ARRET DE CABLE EASYKLEEN             |          |
| 2   | 9980705       | CACHE TURBINE PULIT             |          | 15  | 9991075-ASSY  | FLOTTEUR AVANT ARRIERE               |          |
| 3   | 9980707       | COUVERCLE ARRIERE PULIT E70/90  |          | 16  | 9991432-ASSY  | CARTOUCHE ULTRAFINE PULIT E70/90 LOT |          |
| 4   | 9980706       | COUVERCLE AVANT PULIT E70/90    |          | 16  | 9991433-ASSY  | CARTOUCHE FILET FIN PULIT KIT DE 4   |          |
| 5   | 99952031-ASSY | CAPOT SUPERIEUR PULIT E70/E90   |          | 17  | 9980702       | CHASSIS POUR PULIT E70/E90           |          |
| 6   | 9980712       | FLASQUE DROITE PULIT E70/E90    |          | 18  | 9985006       | COURROIE DE TRACTION TT GRISE        |          |
| 7   | 9980713       | FLASQUE GAUCHE PULIT E70/E90    |          | 19  | 9980741       | BLOQUE ROULEAU PULIT E70/90          |          |
| 8   | 9980880       | CAOUTCHOUC POUR CABLE PULIT     |          | 20  | 99955956-ASSY | ENSEMBLE 1/2 ROULEAU TT              |          |
| 9   | 9995266       | TURBINE+VIS PULIT E70/E90       |          | 21  | 6101645       | DEMI BROSSE PVC PRE-DECOUPEE         |          |
| 10  | 9991044-ASSY  | CYLINDRE TURBINE + VIS ASSY     |          | 21  | 6101620       | BROSSE PVC JAUNE - 6101620           |          |
| 11  | 9991074-ASSY  | FLOTTEUR + CACHE DROIT MU PULIT |          | 21  | 9995560-ASSY  | WONDER BRUSH DYNAMIC                 |          |
| 12  | 9995382-ASSY  | BLOC MOTEUR DYN 2010            |          | 22  | 3865005       | ADAPTATEUR ROUE HEXAGONALE - 38650   |          |
| 12  | 9995382-EX    | BLOC MOTEUR DYN 2010            |          | 23  | 3884997       | ROUE GUIDE DOLPHIN                   |          |

CODE **46663**

DESCRIPTION: **DOLPHIN PULIT E90**

|    |               |                                    |    |              |                                       |
|----|---------------|------------------------------------|----|--------------|---------------------------------------|
| 13 | 9995861-ASSY  | CABLE 2 FILS 18M AVEC SWIVEL       | 24 | 3883645      | POULIE TRACTION TT                    |
| 13 | 9995851-ASSY  | CABLE 2 FILS 18 METRES             | 25 | 9991046-ASSY | CLAPET ANTI-RETOUR PULIT E70/E90 2 UN |
| 26 | 9995541-ASSY  | BROSSE ACTIVE DYN ASSY             | 33 | 9995671-ASSY | TRANSFORMATEUR DYN EU 2010            |
| 27 | 9991043-ASSY  | ENGRENAGE BROSSE ACTIVE ASSY       | 34 | 9991273      | KIT PRISE PE 2010                     |
| 28 | 9991073-ASSY  | FLOTTEUR + CACHE GAUCHE MU KIT PUL | 35 | 3379720-A    | VIS K50X20                            |
| 29 | 9980038       | ADAPTATEUR CHARIOT TRANSFO 2010    | 36 | 9980700      | COUVERCLE INFÉRIEUR                   |
| 30 | 9996096       | CHARIOT DB                         | 37 | 9995807-ASSY | CABLE AUTOFLOTTANT 1,2M AVEC SWIVEL   |
| 31 | 99954226-ASSY | TELECOMMANDE 2010                  | 38 | 6101611      | ANNEAU WONDER BRUSH                   |
| 32 | 9980763       | SUPPORT TELECOMMANDE CHARIOT       |    |              |                                       |

CODE **46663**  
DESCRIPTION: **DOLPHIN PULIT E90**



**ENGLISH**

| POS | CODE          | DESCRIPTION                    | QUANTITY | POS | CODE          | DESCRIPTION                      | QUANTITY |
|-----|---------------|--------------------------------|----------|-----|---------------|----------------------------------|----------|
| 1   | 99957041-ASSY | HANDLE ASSY PULIT E90          |          | 14  | 9982332       | CABLE HOLDER DB                  |          |
| 2   | 9980705       | IMPELLER COVER FOR PULIT 2010  |          | 15  | 9991075-ASSY  | FLOAT FRONT+REAR FOR PULIT KIT   |          |
| 3   | 9980707       | REAR COVER PULIT E90           |          | 16  | 9991432-ASSY  | UF CARTRIDGE FILTER KIT OF 4     |          |
| 4   | 9980706       | FRONT COVER PULIT E90          |          | 16  | 9991433-ASSY  | SPRING CARTRIDGE FILTER KIT OF 4 |          |
| 5   | 99952031-ASSY | OUTER CASING PULIT E90         |          | 17  | 9980702       | BODY FOR PULIT 2010              |          |
| 6   | 9980712       | SIDE PANEL R FOR PULIT 2010    |          | 18  | 9985006       | TRACK - TIMING TRACK GREY        |          |
| 7   | 9980713       | SIDE PANEL L FOR PULIT 2010    |          | 19  | 9980741       | BRUSH SUPPORTER 2010             |          |
| 8   | 9980880       | SUPPORT FOR CABLE 2010         |          | 20  | 99955956-ASSY | WHEEL ASSY FOR TIM.TRACK-DYN DB  |          |
| 9   | 9995266       | BLACK IMPELLER+SCREW DC        |          | 21  | 6101645       | BRUSH CB DYN YELLOW              |          |
| 10  | 9991044-ASSY  | IMPELLER CYLINDER+SCREWS ASSY  |          | 21  | 6101620       | BRUSH PVC DYN YELLOW             |          |
| 11  | 9991074-ASSY  | FLOAT+HOUSE R FOR MU PULIT KIT |          | 21  | 9995560-ASSY  | BRUSH WB - DYN - PAIR            |          |
| 12  | 9995382-ASSY  | MU DYN 2010 ASSY               |          | 22  | 3865005       | HEXAGON ADAPTOR FOR D TYPE SHAFT |          |
| 12  | 9995382-EX    | MU DYN 2010 EX                 |          | 23  | 3884997       | GUIDE WHEEL                      |          |

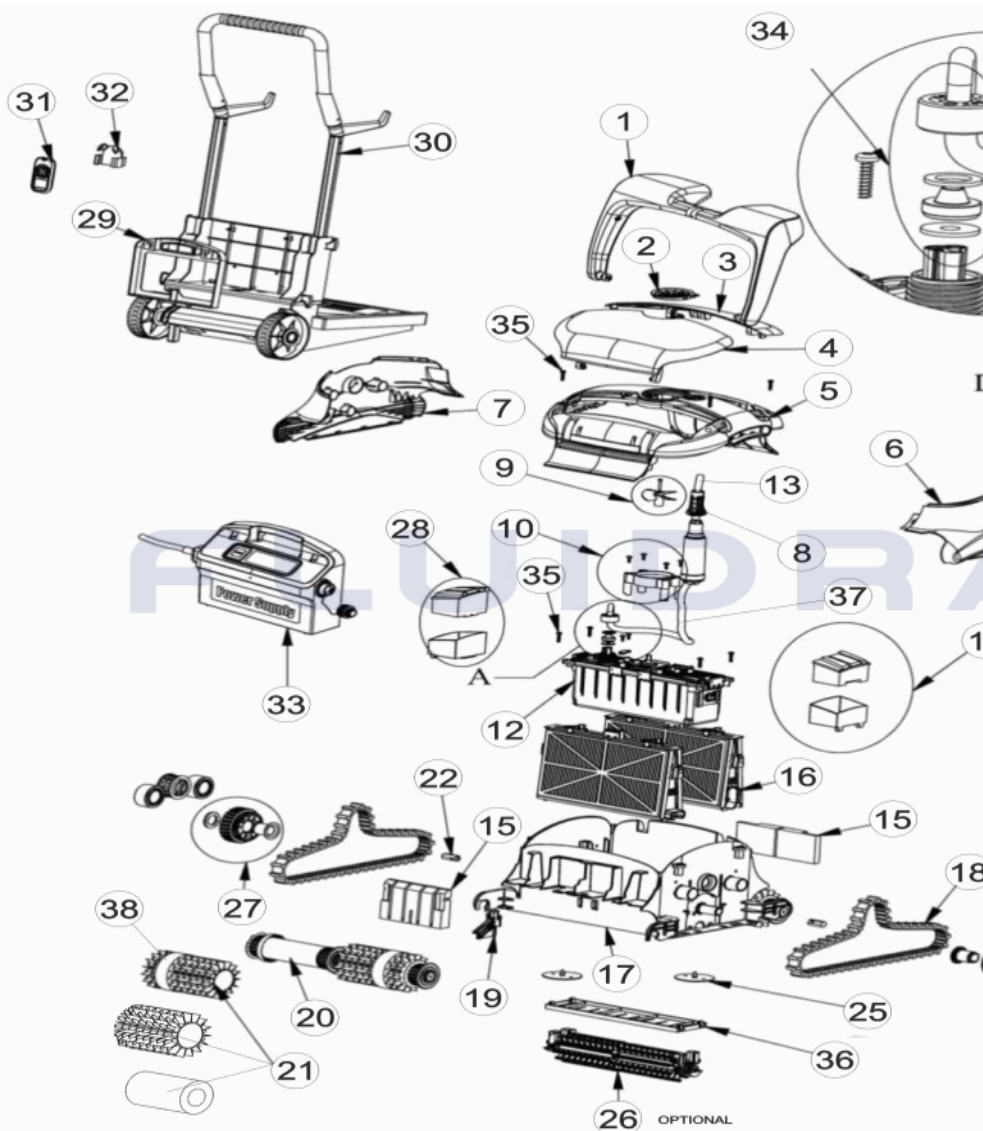
CODE **46663**

DESCRIPTION: **DOLPHIN PULIT E90**

|    |               |                                |    |              |                               |
|----|---------------|--------------------------------|----|--------------|-------------------------------|
| 13 | 9995861-ASSY  | CABLE AND SWV ASSY 18M DIAG    | 24 | 3883645      | PULLEY FOR FLAT SHAFT - TT    |
| 13 | 9995851-ASSY  | CABLE DIAG 18M ASSY            | 25 | 9991046-ASSY | DIAPHRAGMA 2010 - PAIR        |
| 26 | 9995541-ASSY  | ACTIVE BRUSH DYN ASSY          | 33 | 9995671-ASSY | PS DYN EUR 2010               |
| 27 | 9991043-ASSY  | GEAR FOR ACTIVE BRUSH ASSY     | 34 | 9991273      | RETROFIT FOR CABLE CON. 2010  |
| 28 | 9991073-ASSY  | FLOAT+HOUSE L FOR MU PULIT KIT | 35 | 3379720-A    | SCREW KA50X20                 |
| 29 | 9980038       | CADDY ADAPTOR FOR PS 2010      | 36 | 9980700      | LOWER COVER                   |
| 30 | 9996096       | CADDY DB                       | 37 | 9995807-ASSY | CABLE FLOAT SWV DIAG 1.2M ASY |
| 31 | 99954226-ASSY | RCU DYN 2010                   | 38 | 6101611      | BRUSH WB RING FOR CB          |
| 32 | 9980763       | RCU 2010 HOLDER FOR CADDY      |    |              |                               |

CODICE **46663**

DESCRIZIONE: **DOLPHIN PULIT E90**



**ITALIANO**

| POS | CODICE        | DESCRIZIONE                         | QUANTITA' | POS | CODICE        | DESCRIZIONE                          | QUANTITA' |
|-----|---------------|-------------------------------------|-----------|-----|---------------|--------------------------------------|-----------|
| 1   | 99957041-ASSY |                                     |           | 14  | 9982332       | MOLLA FISSAGGIO GALL.CAVO EASYKLEE   |           |
| 2   | 9980705       | PULIT-COPRIVENTOLA PER PULIT 2010   |           | 15  | 9991075-ASSY  |                                      |           |
| 3   | 9980707       | PULIT-SPORTELLO POSTERIORE (FILTRO) |           | 16  | 9991432-ASSY  |                                      |           |
| 4   | 9980706       | PULIT-SPORTELLO ANTERIORE (FILTRO)  |           | 16  | 9991433-ASSY  |                                      |           |
| 5   | 99952031-ASSY |                                     |           | 17  | 9980702       | PULIT-CARCASSA INFERIORE             |           |
| 6   | 9980712       | PULIT-PANNELLO LATERALE DX          |           | 18  | 9985006       | CINGOLO TRAZ.PVC EASYKLEEN GRIGIO    |           |
| 7   | 9980713       | PULIT-PANNELLO LATERALE SX          |           | 19  | 9980741       |                                      |           |
| 8   | 9980880       | PULIT-SUPPORT 4 CABLE 2010          |           | 20  | 99955956-ASSY |                                      |           |
| 9   | 9995266       |                                     |           | 21  | 6101645       | PULIT-SPAZZOLE COMBI DYN GIALLE      |           |
| 10  | 9991044-ASSY  |                                     |           | 21  | 6101620       | SPAZZOLA PVC GIALLA DOLPHIN          |           |
| 11  | 9991074-ASSY  |                                     |           | 21  | 9995560-ASSY  | SPAZZOLA " MAGIC" X DYNAMIC-KIT 2P " |           |
| 12  | 9995382-ASSY  | PULIT-MOTOR UNIT DYN 2010           |           | 22  | 3865005       | ADATT.ESAGONALE PER PULEGGIA 2X2     |           |
| 12  | 9995382-EX    | PULIT-MOTOR UNIT DYN 2010 EX        |           | 23  | 3884997       | DISCO GUIDA                          |           |



CODICE **46663**

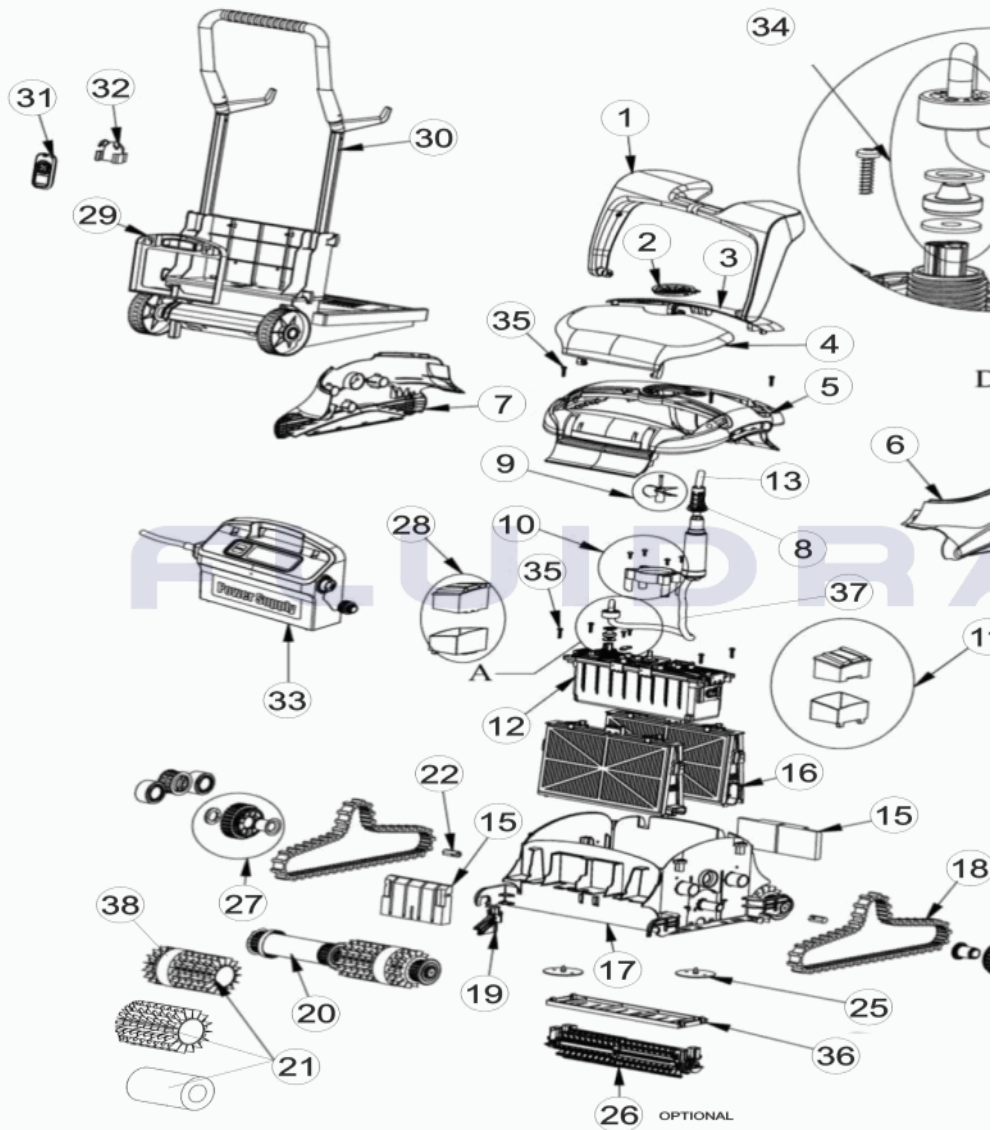
DESCRIZIONE: **DOLPHIN PULIT E90**

|    |               |                                     |    |              |                                    |
|----|---------------|-------------------------------------|----|--------------|------------------------------------|
| 13 | 9995861-ASSY  |                                     | 24 | 3883645      | PULEGGIA DI TRAZIONE EASYKLEEN     |
| 13 | 9995851-ASSY  |                                     | 25 | 9991046-ASSY |                                    |
| 26 | 9995541-ASSY  |                                     | 33 | 9995671-ASSY | TRASF.DGT X.DYNAMIC C/DISPLAY      |
| 27 | 9991043-ASSY  |                                     | 34 | 9991273      | PULIT-RETROFIT 4 CABLE CONN.2010   |
| 28 | 9991073-ASSY  |                                     | 35 | 3379720-A    |                                    |
| 29 | 9980038       | ADATTATORE X ALIMENTATORE-CADDY PFI | 36 | 9980700      | COPERTURA INFERIORE                |
| 30 | 9996096       | CARRELLO PORTA D.BASIC (CADDY)      | 37 | 9995807-ASSY |                                    |
| 31 | 99954226-ASSY |                                     | 38 | 6101611      | ANELLO " MAGIC " X SPAZZOLE COMB " |
| 32 | 9980763       | BASE TELECOMANDO X CADDY PROX2      |    |              |                                    |



CODE **46663**

BESCHREIBUNG: **DOLPHIN PULIT E90**



**DEUTSCH**

| POS | CODE          | BESCHREIBUNG                       | MENGE | POS | CODE          | BESCHREIBUNG                       | MENGE |
|-----|---------------|------------------------------------|-------|-----|---------------|------------------------------------|-------|
| 1   | 99957041-ASSY | GRIFF FÜR PULIT                    |       | 14  | 9982332       | KABELFLANSCH                       |       |
| 2   | 9980705       | ABDECKUNG EINLAUF PULIT 2010       |       | 15  | 9991075-ASSY  | SCHWIMMERSET                       |       |
| 3   | 9980707       | ABDECKUNG HINTEN FILTER            |       | 16  | 9991432-ASSY  | KARTUSCHEN FÜR FILTERER PULIT 2010 |       |
| 4   | 9980706       | FRONTDECKEL FILTER                 |       | 16  | 9991433-ASSY  | KARTUSCHE PRIMAVER PULIT 2010      |       |
| 5   | 99952031-ASSY | GEHÄUSE PULIT E90                  |       | 17  | 9980702       | GEHÄUSE PULIT 2010                 |       |
| 6   | 9980712       | SEITENTEIL RECHTS PULIT 90         |       | 18  | 9985006       | ZUGRIEMEN GRAU - MODELL 2007       |       |
| 7   | 9980713       | SEITENTEIL LINKS PULIT 90          |       | 19  | 9980741       | HALTERUNG BÜRSTEN PULIT 2010       |       |
| 8   | 9980880       | KABELHALTERUNG PULIT 2010          |       | 20  | 99955956-ASSY | ZUGROLLE PULIT 2010                |       |
| 9   | 9995266       | TURBINE SCHWARZ PULIT 2010         |       | 21  | 6101645       | BÜRSTE PVC FÜR CB GELB (DYNAMIC)   |       |
| 10  | 9991044-ASSY  | SCHUTZVORRICHTUNG TURBINE PULIT 21 |       | 21  | 6101620       | BÜRSTE PVC GELB                    |       |
| 11  | 9991074-ASSY  | SCHWIMMER RECHTS INNEN             |       | 21  | 9995560-ASSY  | BÜRSTE FÜR BODENREINIGER "MAGIC" D |       |
| 12  | 9995382-ASSY  | MOTOR PULIT 2010                   |       | 22  | 3865005       | HEXAGONALADAPTER FÜR ANTRIEBSSCH   |       |
| 12  | 9995382-EX    | MOTOR PULIT 2010 EX                |       | 23  | 3884997       | RAD FÜHRUNG DOLPHIN                |       |

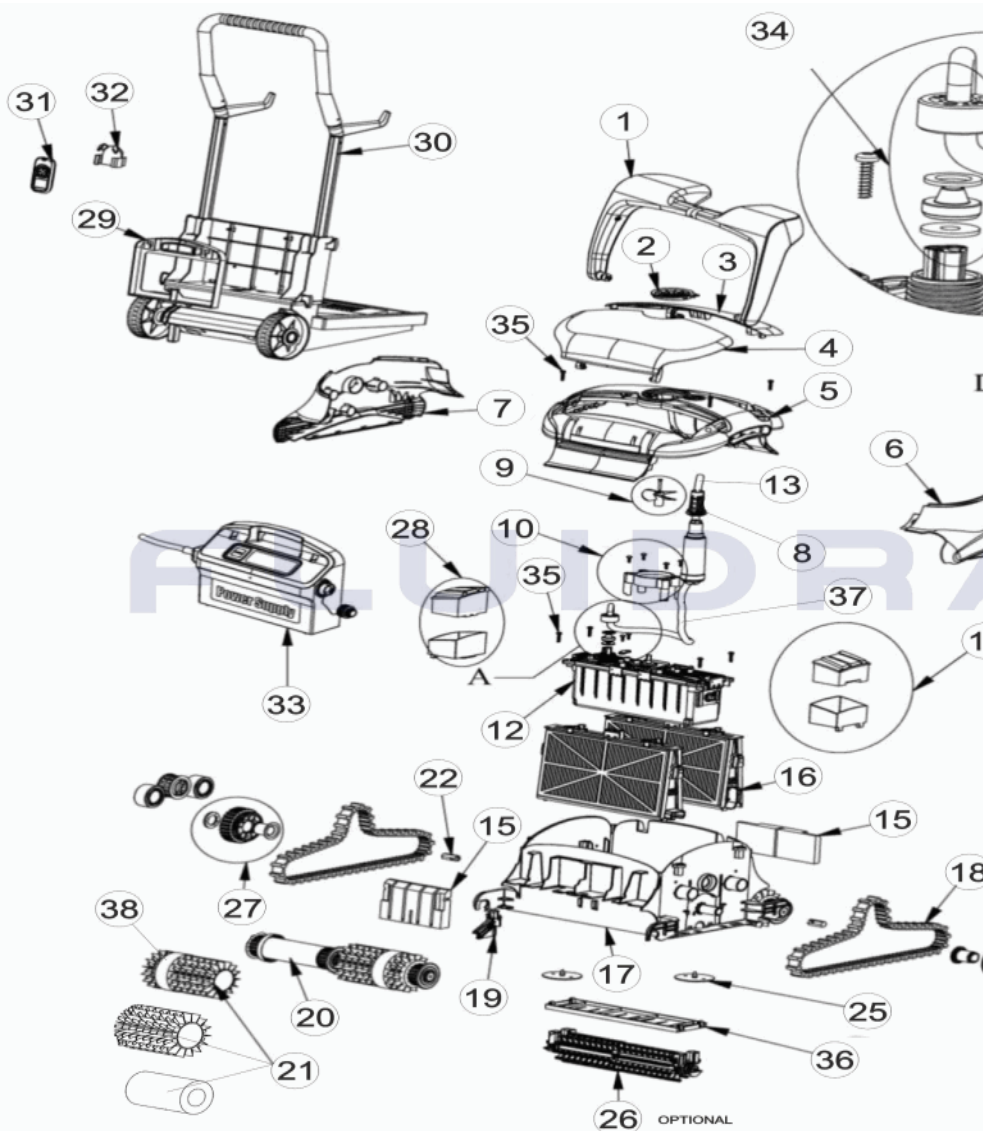
CODE **46663**

BESCHREIBUNG: **DOLPHIN PULIT E90**

|    |               |                                  |    |              |                                   |
|----|---------------|----------------------------------|----|--------------|-----------------------------------|
| 13 | 9995861-ASSY  | KABEL SCHWENKBAR 18 M DIAGNOSTIC | 24 | 3883645      | ANTRIEBSSCHEIBE FÜR BODENREINIGER |
| 13 | 9995851-ASSY  | KABEL DIAGNOSTIC 18 M ASSY       | 25 | 9991046-ASSY | ZWEI MEMBRANEN 2010               |
| 26 | 9995541-ASSY  | BÜRSTE PULIT ACTIVE BRUSH        | 33 | 9995671-ASSY | TRAFO PULIT E90 2010              |
| 27 | 9991043-ASSY  | GETRIEBE ZUGRIEMEN               | 34 | 9991273      | SET VERBINDUNG MOTOR              |
| 28 | 9991073-ASSY  | SCHWIMMER LINKS INNEN            | 35 | 3379720-A    | SCHRAUBE K50 X 20                 |
| 29 | 9980038       | ADAPTER TRAFO-WAGEN              | 36 | 9980700      | ABDECKUNG UNTEN                   |
| 30 | 9996096       | KARREN DOLPHIN DB                | 37 | 9995807-ASSY | SCHWIMMKABEL 1,2 METER SCHWENKBAI |
| 31 | 99954226-ASSY | FERNBEDIENUNG PULIT E90          | 38 | 6101611      | BÜRSTENRING MAGIC FÜR CB          |
| 32 | 9980763       | HALTERUNG FERNBEDIENUNG WAGEN    |    |              |                                   |

CODIGO **46663**

DESCRIÇÃO: **DOLPHIN PULIT E90**



**PORTUGUES**

| POS | CODIGO        | DESCRIÇÃO                            | JANTIDADE | POS | CODIGO        | DESCRIÇÃO                                | JANTIDADE |
|-----|---------------|--------------------------------------|-----------|-----|---------------|--|-----------|
| 1   | 99957041-ASSY | ASA " PULIT E70/90"                  |           | 14  | 9982332       |  |           |
| 2   | 9980705       | PROTECÇÃO VENTILADOR PULIT E70/90    |           | 15  | 9991075-ASSY  | CONJUNTO FLUTUADORES PULIT E70/90        |           |
| 3   | 9980707       | COBERTURA TRASEIRA CHASSIS PULIT E   |           | 16  | 9991432-ASSY  | KIT FILTROS MALHA FINA PULIT E55/70/90 ( |           |
| 4   | 9980706       | COBERTURA DIANTEIRA CHASSIS PULIT E  |           | 16  | 9991433-ASSY  | KIT FILTROS MALHA GROSSA PULIT E55/70    |           |
| 5   | 99952031-ASSY |                                      |           | 17  | 9980702       | CORPO CENTRAL PULIT E70/90               |           |
| 6   | 9980712       | LATERAL DIREITA PULIT E70/90         |           | 18  | 9985006       | CORREIA " TIMING TRACK" CINZENT "        |           |
| 7   | 9980713       | LATERAL ESQUERDA PULIT E70/90        |           | 19  | 9980741       | SUPORTE ESCOVAS PULIT E70/90             |           |
| 8   | 9980880       | SUPPORT FOR CABLE 2010               |           | 20  | 99955956-ASSY | RODILHO DE ARRASTE DYNAMIC " TT" D "     |           |
| 9   | 9995266       | VENTILADOR P/ PULIT E70/90           |           | 21  | 6101645       | ESCOVA PVC AMARELA COM RASGO PARA        |           |
| 10  | 9991044-ASSY  | IMPELLER CYLINDER                    |           | 21  | 6101620       | ESCOVA PVC AMARELA P/ 2002 E 3002        |           |
| 11  | 9991074-ASSY  | FLUTUADOR DIREITO INTERIOR - PULIT E |           | 21  | 9995560-ASSY  | ESCOVA MÁGICA (CONJ. 2 UNID.) ULTRAKL    |           |
| 12  | 9995382-ASSY  |                                      |           | 22  | 3865005       | EIXO DO ROLAMENTO DE TRACÇÃO             |           |
| 12  | 9995382-EX    | CONJUNTO MOTOR PULIT E70/90          |           | 23  | 3884997       | ROLAMENTO GUIA                           |           |

CODIGO **46663**

DESCRIÇÃO: **DOLPHIN PULIT E90**

|    |               |   |    |              |                                   |
|----|---------------|---|----|--------------|-----------------------------------|
| 13 | 9995861-ASSY  | CABO C/SWIVEL - 18 M, 2 CONDUCTORES     | 24 | 3883645      | ROLAMENTO TRACÇÃO " T "           |
| 13 | 9995851-ASSY  | CABO 18 M, S/SWIVEL, 2 CONDUCTORES      | 25 | 9991046-ASSY | DIAFRAGMA (PAR) MOD. 2010         |
| 26 | 9995541-ASSY  | ESCOVA ACTIVA PULIT E70/90              | 33 | 9995671-ASSY | FONTE DE ALIMENTAÇÃO DYN EUR 2010 |
| 27 | 9991043-ASSY  | ROLAMENTO P/ ESCOVA ACTIVA PULIT E70/90 | 34 | 9991273      | FICHA CABO-MOTOR (MOD. 2010)      |
| 28 | 9991073-ASSY  | FLUTUADOR ESQUERDO INTERIOR - PULI      | 35 | 3379720-A    |                                   |
| 29 | 9980038       | ADAPTADOR DE CADDY PARA FONTE DE /      | 36 | 9980700      | TAMPA INFERIOR                    |
| 30 | 9996096       | CARRO DE TRANSPORTE DE ASPIRADOR        | 37 | 9995807-ASSY | CABLE FLOAT SWV DIAG 1.2M ASSY    |
| 31 | 99954226-ASSY | COMANDO UNIVERSAL DYN 2010              | 38 | 6101611      | ANEL DE ESCOVA MÁGICA             |
| 32 | 9980763       | SUPORTE DE COMANDO MOD. 2010, PAR/      |    |              |                                   |