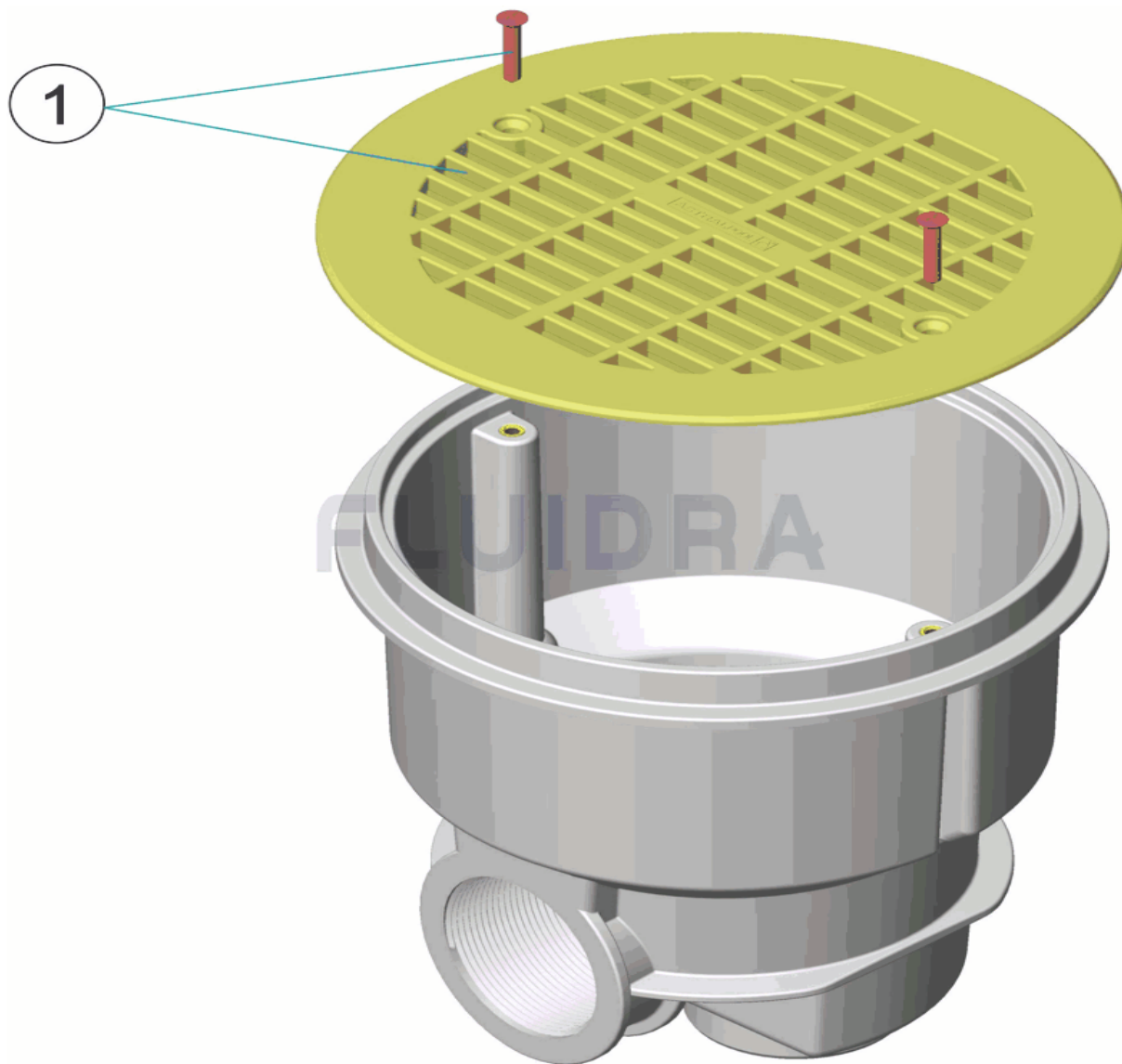


CODIGO 56378, 56378CL090, 56378CL129, 56378CL144

DESCRIPCION: SUMIDERO NORMA PH REJILLA PLANA



ESPAÑOL

POS	CODIGO	DESCRIPCION	CANTIDAD	POS	CODIGO	DESCRIPCION	CANTIDAD
1	* 4402020005	REJILLA PLANA		1	* 4402020047	REJILLA PLANA	
1	* 4402020046	REJILLA PLANA		1	* 4402020048	REJILLA PLANA	

CODIGO **56378, 56378CL090, 56378CL129, 56378CL144**

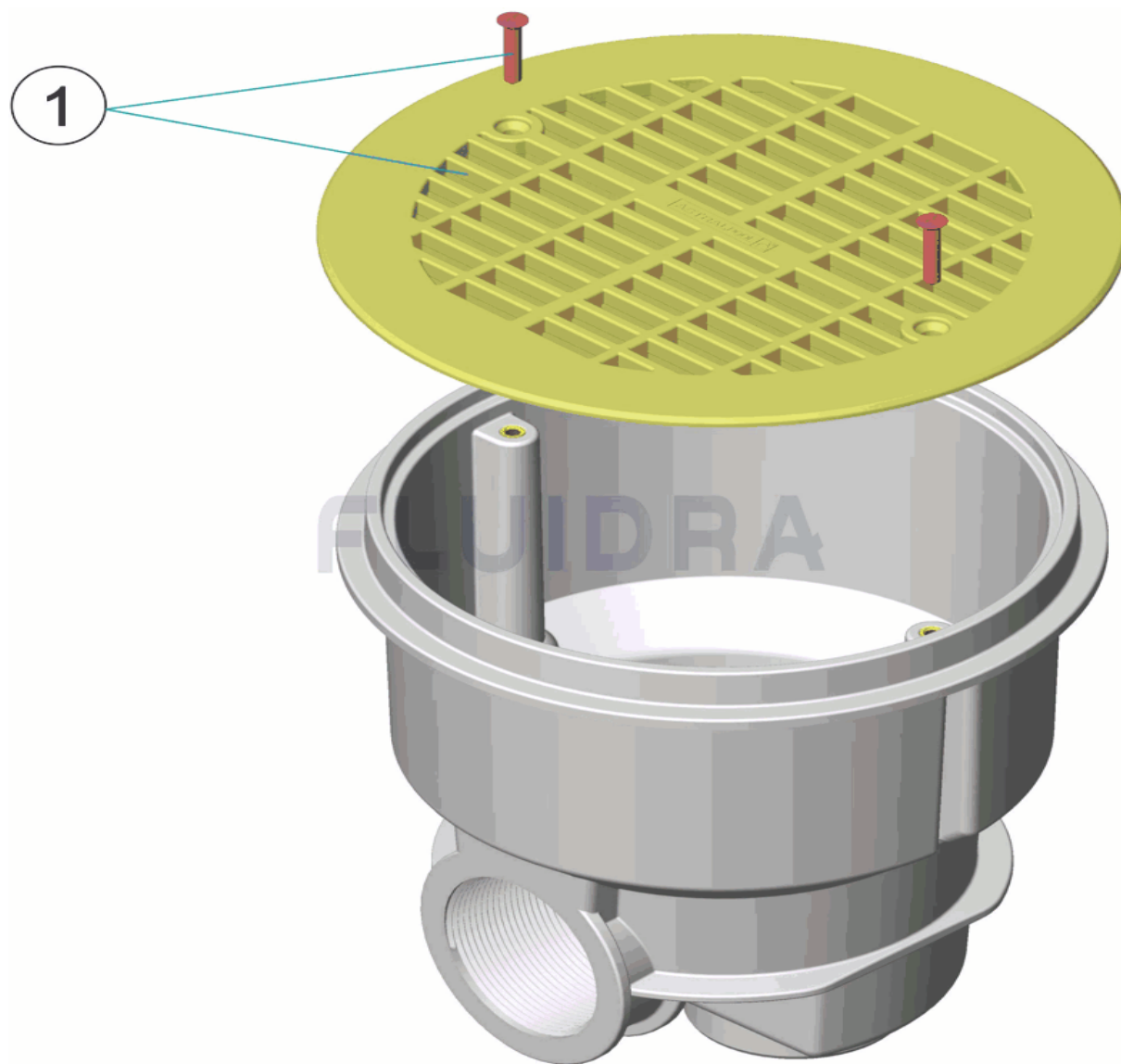
DESCRIPCION: SUMIDERO NORMA PH REJILLA PLANA

OBSERVACIONES

POS	CODIGO	OBSERVACIONES
1	* 4402020005	PARA: 56378 BLANCO / WHITE
1	* 4402020046	PARA: 56378CL090 BEIGE
1	* 4402020047	PARA: 56378CL129 GRIS / GREY
1	* 4402020048	PARA: 56378CL144 ANTRACITA / ANTHRACITE

CODE 56378, 56378CL090, 56378CL129, 56378CL144

DESCRIPTION: BONDE NORMA PISC. BÉTON GRILLE PLATE



FRANCAIS

POS	CODE	DESCRIPTION	QUANTITE	POS	CODE	DESCRIPTION	QUANTITE
1	* 4402020005	GRILLE PLATE		1	* 4402020047	GRILLE PLATE	
1	* 4402020046	GRILLE PLATE		1	* 4402020048	GRILLE PLATE	

CODE **56378, 56378CL090, 56378CL129, 56378CL144**

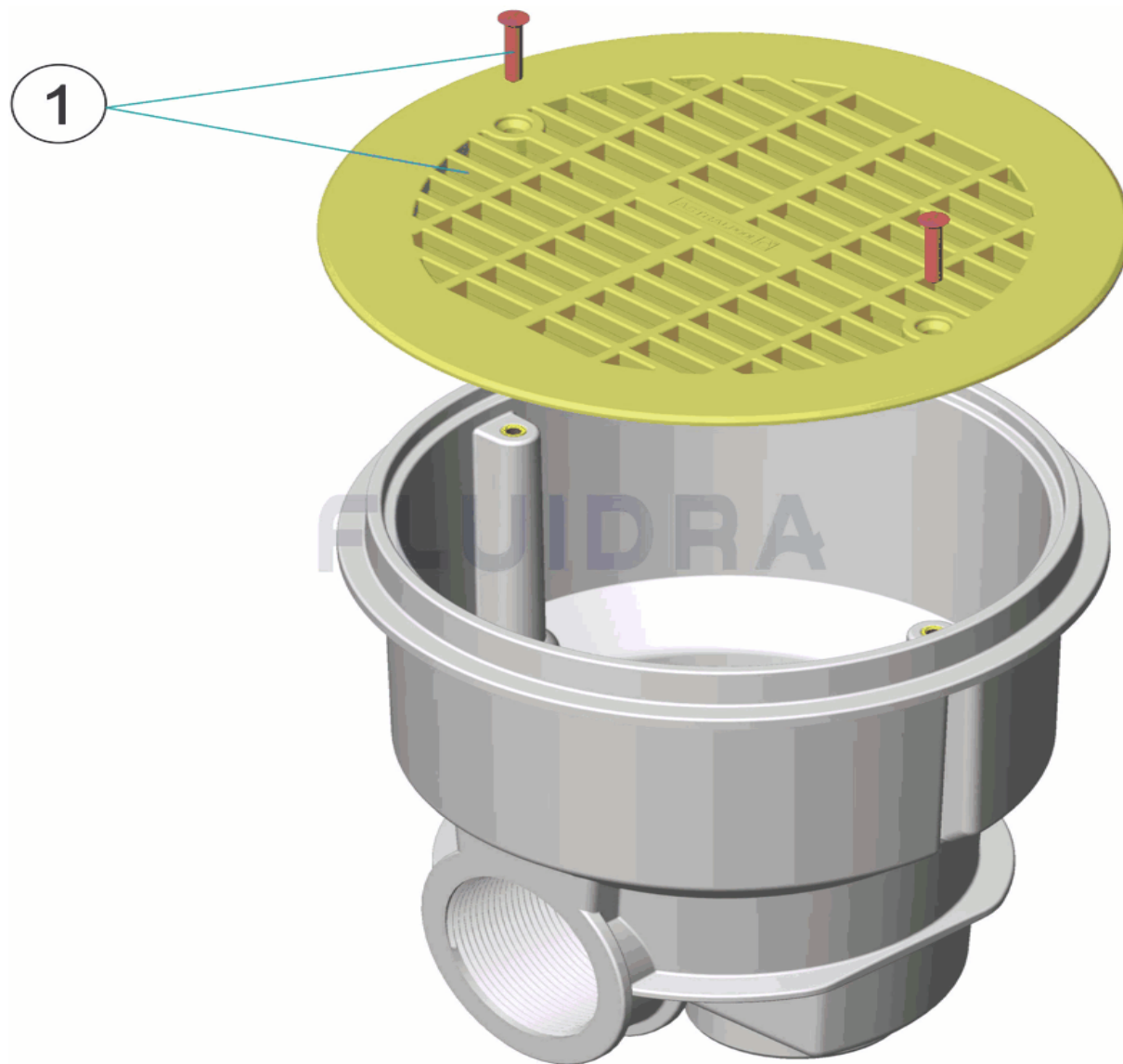
DESCRIPTION: **BONDE NORMA PISC. BÉTON GRILLE PLATE**

OBSERVATIONS

POS	CODE	OBSERVATIONS
1	* 4402020005	POUR: 56378 BLANCO / WHITE
1	* 4402020046	POUR: 56378CL090 BEIGE
1	* 4402020047	POUR: 56378CL129 GRIS / GREY
1	* 4402020048	POUR: 56378CL144 ANTRACITA / ANTHRACITE

CODE 56378, 56378CL090, 56378CL129, 56378CL144

DESCRIPTION: NORMA DRAIN CONCRETE POOL FLAT GRILLE



ENGLISH

POS	CODE	DESCRIPTION	QUANTITY	POS	CODE	DESCRIPTION	QUANTITY
1	* 4402020005	FLAT GRILLE		1	* 4402020047	FLAT GRILLE	
1	* 4402020046	FLAT GRILLE		1	* 4402020048	FLAT GRILLE	

CODE **56378, 56378CL090, 56378CL129, 56378CL144**

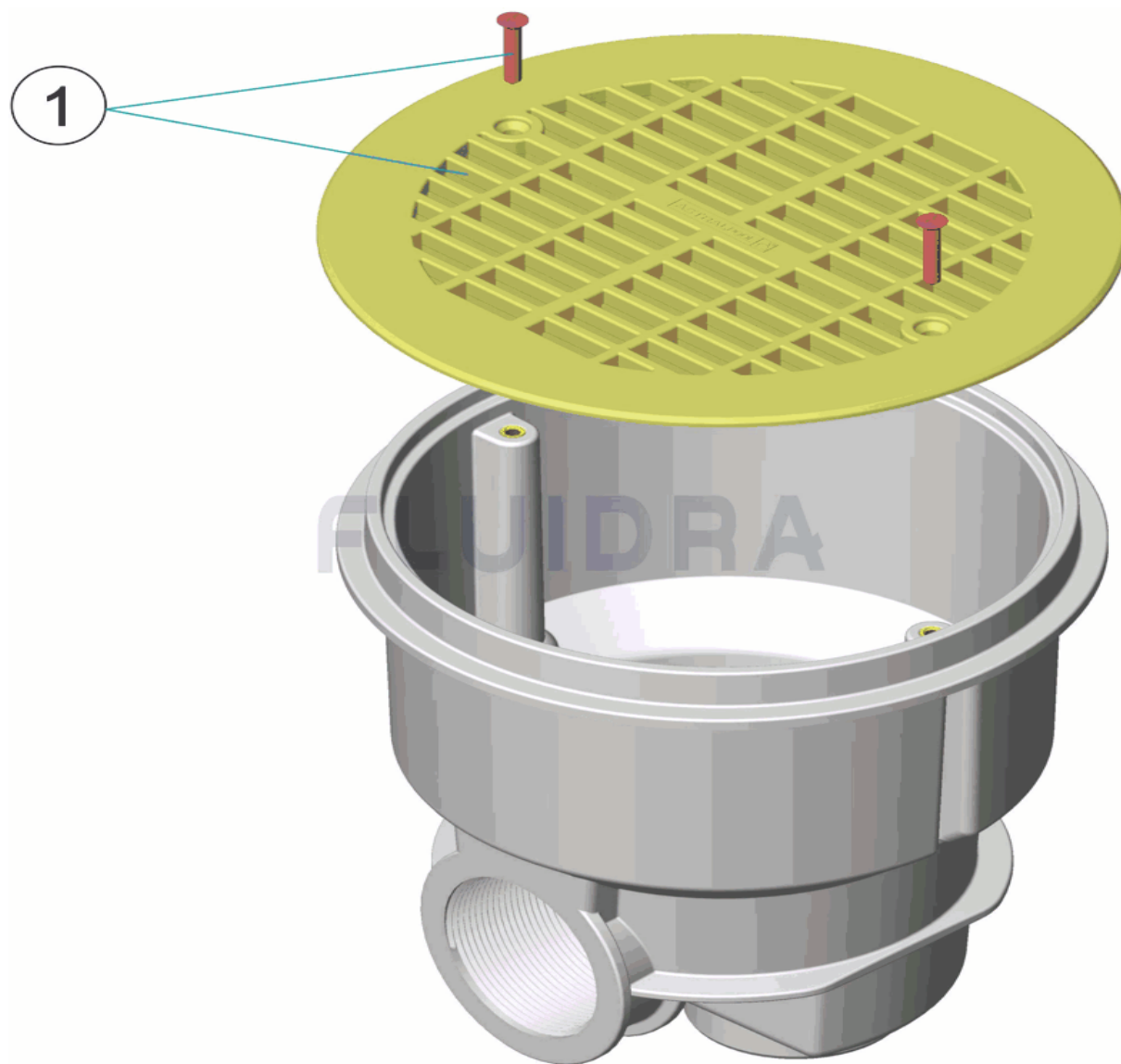
DESCRIPTION: **NORMA DRAIN CONCRETE POOL FLAT GRILLE**

OBSERVATIONS

POS	CODE	OBSERVATIONS
1	* 4402020005	FOR: 56378 BLANCO / WHITE
1	* 4402020046	FOR: 56378CL090 BEIGE
1	* 4402020047	FOR: 56378CL129 GRIS / GREY
1	* 4402020048	FOR: 56378CL144 ANTRACITA / ANTHRACITE

CODICE **56378, 56378CL090, 56378CL129, 56378CL144**

DESCRIZIONE: **SCOLO NORMA PISC. CEMENTO. GRIGLIA PIANA**



ITALIANO

POS	CODICE	DESCRIZIONE	QUANTITA'	POS	CODICE	DESCRIZIONE	QUANTITA'
1	* 4402020005	GRIGLIA PIANA		1	* 4402020047	GRIGLIA PIANA	
1	* 4402020046	GRIGLIA PIANA		1	* 4402020048	GRIGLIA PIANA	

CODICE **56378, 56378CL090, 56378CL129, 56378CL144**

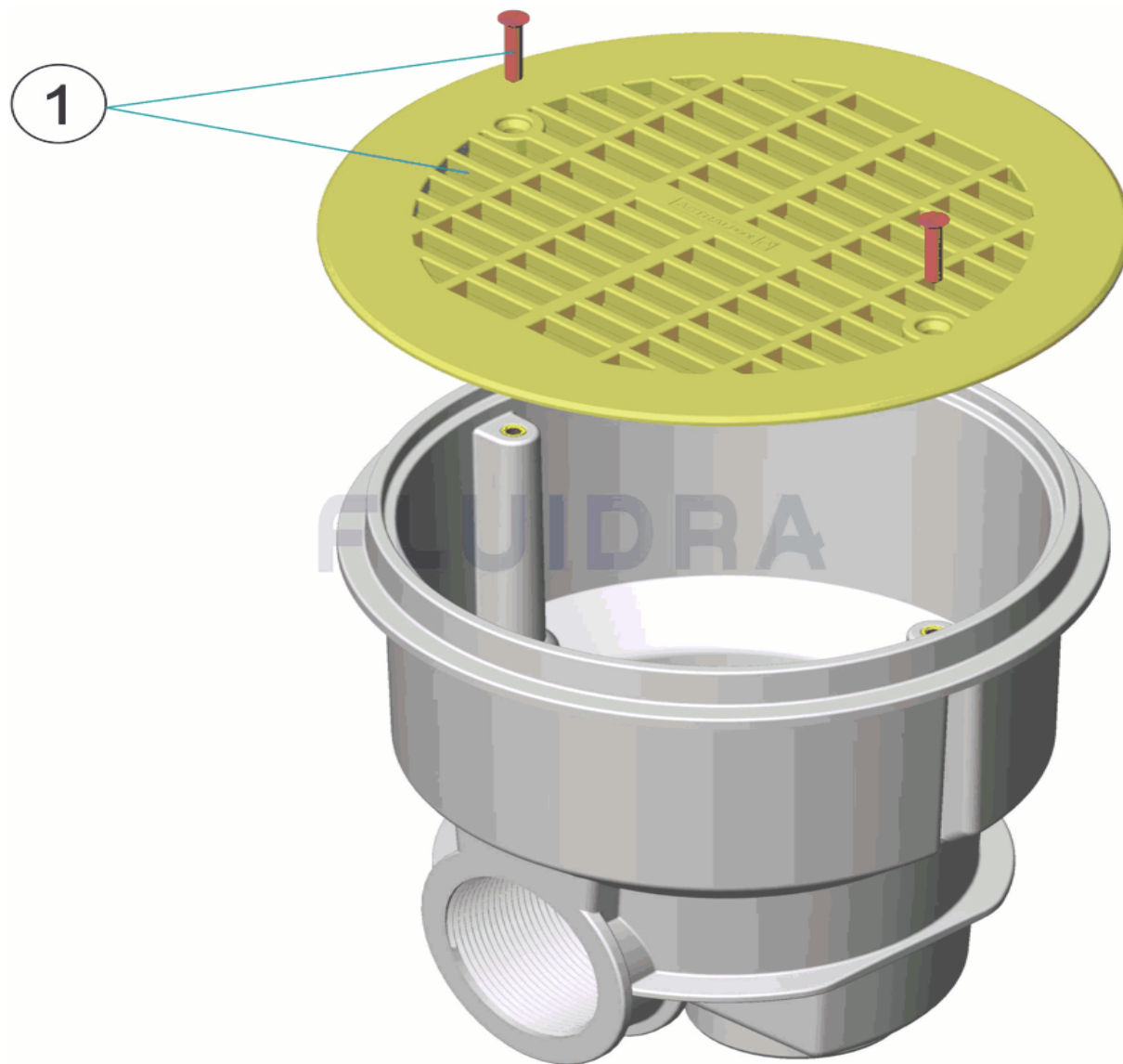
DESCRIZIONE: SCOLO NORMA PISC. CEMENTO. GRIGLIA PIANA

OSSERVAZIONI

POS	CODICE	OSSERVAZIONI
1	* 4402020005	PER: 56378 BLANCO / WHITE
1	* 4402020046	PER: 56378CL090 BEIGE
1	* 4402020047	PER: 56378CL129 GRIS / GREY
1	* 4402020048	PER: 56378CL144 ANTRACITA / ANTHRACITE

CODE 56378, 56378CL090, 56378CL129, 56378CL144

BESCHREIBUNG: ABFLUSS NORMA PH GITTER FLACH



DEUTSCH

POS	CODE	BESCHREIBUNG	MENGE	POS	CODE	BESCHREIBUNG	MENGE
1	* 4402020005	GITTER FLACH		1	* 4402020047	GITTER FLACH	
1	* 4402020046	GITTER FLACH		1	* 4402020048	GITTER FLACH	

CODE **56378, 56378CL090, 56378CL129, 56378CL144**

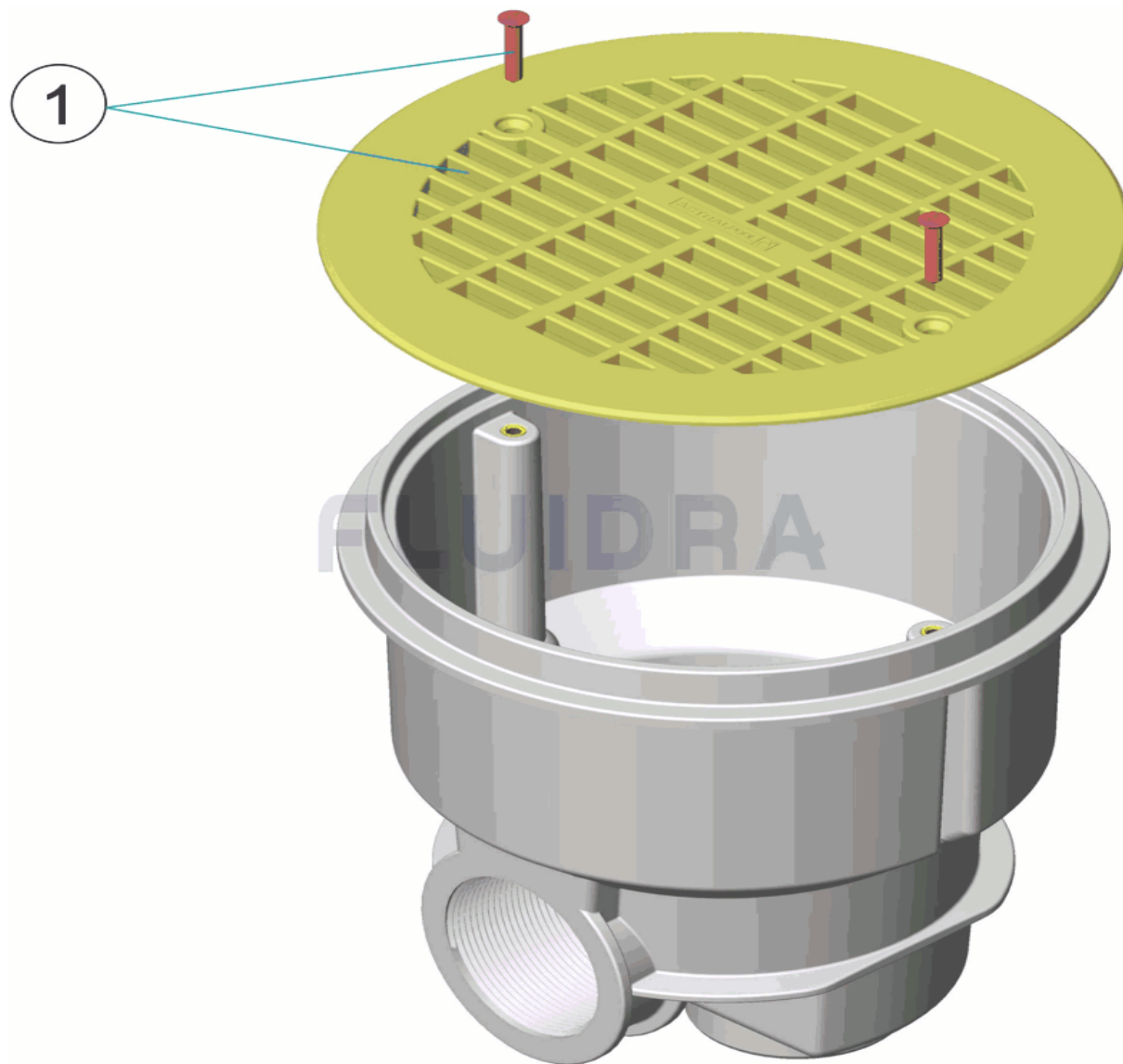
BESCHREIBUNG: **ABFLUSS NORMA PH GITTER FLACH**

HINWEISE

POS	CODE	HINWEISE
1	* 4402020005	FÜR: 56378 BLANCO / WHITE
1	* 4402020046	FÜR: 56378CL090 BEIGE
1	* 4402020047	FÜR: 56378CL129 GRIS / GREY
1	* 4402020048	FÜR: 56378CL144 ANTRACITA / ANTHRACITE

CODIGO 56378, 56378CL090, 56378CL129, 56378CL144

DESCRIÇÃO: RALO NORMA PIS. BETÃO GRADE PLANA



PORTUGUES

POS	CODIGO	DESCRIÇÃO	JANTIDADE	POS	CODIGO	DESCRIÇÃO	JANTIDADE
1	* 4402020005	GRELHA PLANA		1	* 4402020047	GRELHA PLANA	
1	* 4402020046	GRELHA PLANA		1	* 4402020048	GRELHA PLANA	

CODIGO **56378, 56378CL090, 56378CL129, 56378CL144**

DESCRIÇÃO: RALO NORMA PIS. BETÃO GRADE PLANA

OBSERVACÕES

POS	CODIGO	OBSERVACÕES
1	* 4402020005	PARA: 56378 BLANCO / WHITE
1	* 4402020046	PARA: 56378CL090 BEIGE
1	* 4402020047	PARA: 56378CL129 GRIS / GREY
1	* 4402020048	PARA: 56378CL144 ANTRACITA / ANTHRACITE