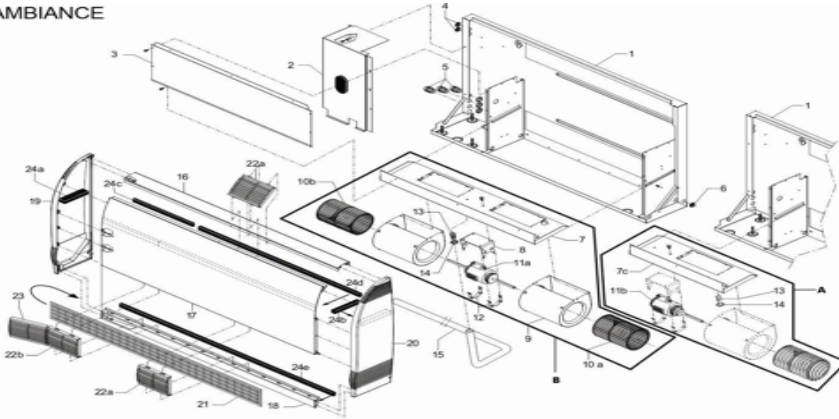


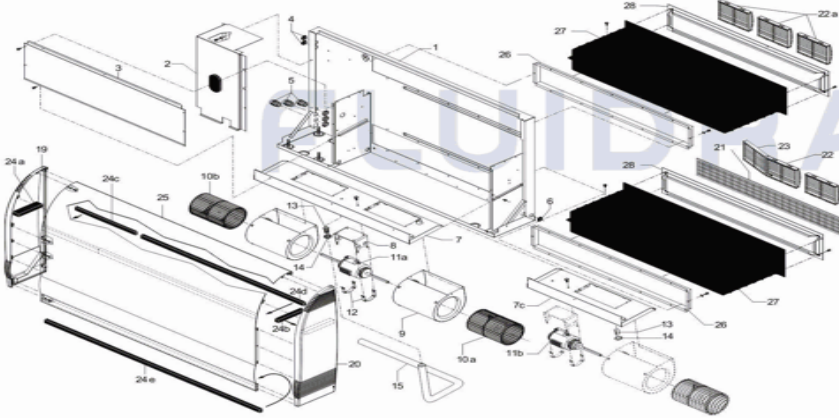
CODIGO **W28SI55A, W28SI80A, W28SI110A, W28SI110AT, W28SI55E, W28SI80E, W28SI110E, W28SI110ET**

DESCRIPCION: **SIROCCO**

AMBIANCE



ENCASTRÉ



ESPAÑOL

POS	CODIGO	DESCRIPCION	CANTIDAD	POS	CODIGO	DESCRIPCION	CANTIDAD
12	WTC03893	CLIP FIXATION MOTEUR VENTILATEUR		40	WJC01668	PRESOSTATO BP 0,5/2 BARS	
21	* WSD01913	FILTRO DIM 135 X 940 MM		50	WCE06000	REGULADOR ECP600	
21	* WSD01914	FILTRO DIM 135 X 1130 MM		-	WCE01312	SONDA GRIS PTC DE DESESCARCHA Y AN	
21	* WSD01915	FILTRO DIM 135 X 1320 MM		-	WCE01311	SONDA NEGRA PTC " TEMPERATURA DEL /	
21	* WSD01911	FILTRO DIM 135 X 560 MM		-	* WEG01422	RESISTENCIA A SOPORTE ELÉCTRICO SIR	
21	* WSD01912	FILTRO DIM 135 X 750 MM		-	* WEG01423	RESISTENCIA A SOPORTE ELÉCTRICO SIR	
21	* WSD01913	FILTRO DIM 135 X 940 MM		-	* WEG01424	RESISTENCIA A SOPORTE ELÉCTRICO SIR	
29	* WTC03071	COMPRESOR RK5512C MONO		-	* B0181300A	CONDENSADOR COMPRESOR ALU C2 A25	
29	* WTC03080	COMPRESOR		-	* B0181400A	CONDENSADOR COMPRESOR ALU 35µF	
29	* WCO02576	COMPRESOR ZR22 MONO 4 PIES		-	* B0181500A	CONDENSADOR COMPRESOR 40 µF C2	
29	* WCO03848	COMPRESOR TRI		-	WSG01935	CONDENSADOR VENTILADOR 3?F	
38	* WTC03070	VÁLVULA DE EXPANSIÓN TX3 N13 407C		-	WCE03431	SONDA HYGRO CONTROL	

CODIGO **W28SI55A, W28SI80A, W28SI110A, W28SI110AT, W28SI55E, W28SI80E,
W28SI110E, W28SI110ET**

DESCRIPCION: **SIROCCO**

38	* WAC02497	VÁLVULA DE EXPANSIÓN TX3 N34 407C	-	WCZ01371	CONTROLADOR DE FASE (PAC EN TRI)
38	* WAC02498	VÁLVULA DE EXPANSIÓN TX3 N35 407C	-	WCY00995	DESHIDRATADOR 053S
39	WJC01669	PRESOSTATO HP 20/26 BARS	-	WJP01682	TERMOSTATO DE SOPLADO MANUAL
-	WJP01681	TERMOSTATO DE SOPLADO AUTOMÁTICO	B	* WTC03074	CONJUNTO VENTILACIÓN
-	* WKITMANCH55	KIT PASAMUROS SIROCCO 55	B	* WTC03075	CONJUNTO VENTILACIÓN
-	* WKITMANCH80	KIT PASAMUROS SIROCCO 80	B	* WTC03076	CONJUNTO VENTILACIÓN
-	* WKITMANC110	KIT PASAMUROS SIROCCO 110	C	WD000001	HYGRO CONTROL + SONDA **
22A	WIB01637	REJILLA FIJA	D	WCE01314	HIGROSTATO NORMAL MURAL
22B/23	WGRILSIROCO	REJILLA MÓVIL + FIJA			

CODIGO **W28SI55A, W28SI80A, W28SI110A, W28SI110AT, W28SI55E, W28SI80E,
W28SI110E, W28SI110ET**

DESCRIPCION: SIROCCO

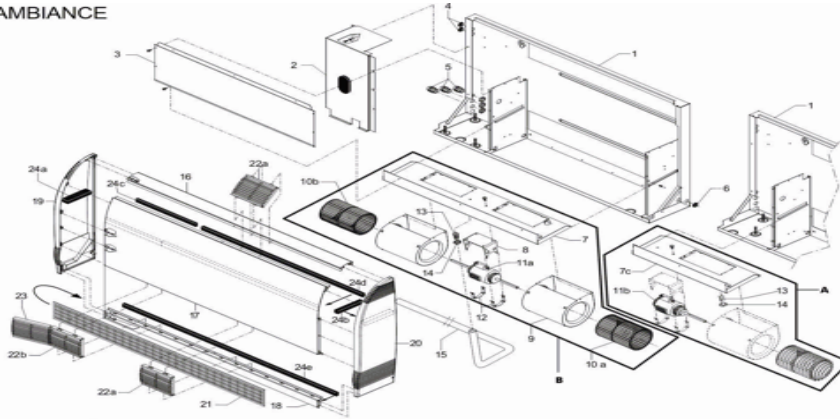
OBSERVACIONES

POS	CODIGO	OBSERVACIONES
21	* WSD01913	PARA: W28SI55A AMBIENTE/AMBIENT
21	* WSD01914	PARA: W28SI80A AMBIENTE/AMBIENT
21	* WSD01915	PARA: W28SI110A, W28SI110AT AMBIENTE/AMBIENT
21	* WSD01911	PARA: W28SI55E EMPOTRADO / THROUGH-THE-WALL
21	* WSD01912	PARA: W28SI80E EMPOTRADO / THROUGH-THE-WALL
21	* WSD01913	PARA: W28SI110E, W28SI110ET EMPOTRADO / THROUGH-THE-WALL
29	* WTC03071	PARA: W28SI55A, W28SI55E
29	* WTC03080	PARA: W28SI80A, W28SI80E
29	* WCO02576	PARA: W28SI110A, W28SI110E
29	* WCO03848	PARA: W28SI110AT, W28SI110ET
38	* WTC03070	PARA: W28SI55A, W28SI55E
38	* WAC02497	PARA: W28SI80A, W28SI80E
38	* WAC02498	PARA: W28SI110A, W28SI110AT, W28SI110E, W28SI110ET
-	* WEG01422	PARA: W28SI55A, W28SI55E
-	* WEG01423	PARA: W28SI80A, W28SI80E
-	* WEG01424	PARA: W28SI110A, W28SI110AT, W28SI110E, W28SI110ET
-	* B0181300A	PARA: W28SI55A, W28SI55E
-	* B0181400A	PARA: W28SI80A, W28SI80E
-	* B0181500A	PARA: W28SI110A, W28SI110AT, W28SI110E, W28SI110ET
-	* WKITMANCH55	PARA: W28SI55A, W28SI55E
-	* WKITMANCH80	PARA: W28SI80A, W28SI80E
-	* WKITMANC110	PARA: W28SI110A, W28SI110AT, W28SI110E, W28SI110ET
B	* WTC03074	PARA: W28SI55A, W28SI55E
B	* WTC03075	PARA: W28SI80A, W28SI80E
B	* WTC03076	PARA: W28SI110A, W28SI110AT, W28SI110E, W28SI110ET

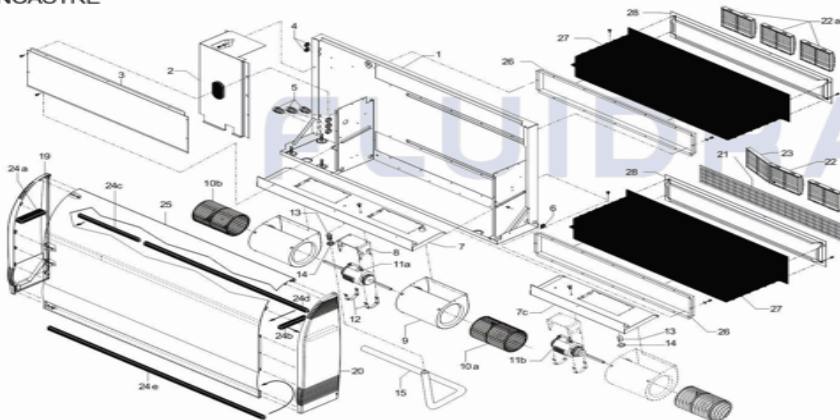
CODE **W28SI55A, W28SI80A, W28SI110A, W28SI110AT, W28SI55E, W28SI80E, W28SI110E, W28SI110ET**

DESCRIPTION: **SIROCCO**

AMBIANCE



ENCASTRÉ



FRANCAIS

POS	CODE	DESCRIPTION	QUANTITE	POS	CODE	DESCRIPTION	QUANTITE
12	WTC03893	CLIP FIXATION MOTEUR VENTILATEUR		40	WJC01668	PRESSOSTAT BP 0,5/2 BARS	
21	* WSD01913	FILTRE DIM. 135 X 940 MM		50	WCE06000	RÉGULATEUR ECP600	
21	* WSD01914	FILTRE DIM. 135 X 1130 MM		-	WCE01312	SONDE GRISE PTC DE DÉGIVRAGE ET ANI	
21	* WSD01915	FILTRE DIM. 135 X 1320 MM		-	WCE01311	SONDE NOIRE PTC « TEMPÉRATURE D'EI	
21	* WSD01911	FILTRe DIM. 135 X 560 MM		-	* WEG01422	RÉSISTANCE APPOINT ÉLECTRIQUE SIROCCO	
21	* WSD01912	FILTRE DIM. 135 X 750 MM		-	* WEG01423	RÉSISTANCE APPOINT ÉLECTRIQUE SIROCCO	
21	* WSD01913	FILTRE DIM. 135 X 940 MM		-	* WEG01424	RÉSISTANCE APPOINT ÉLECTRIQUE SIROCCO	
29	* WTC03071	COMPRESSEUR RK5512C MONO		-	* B0181300A	CONDENSATEUR COMPRESSEUR ALU C2 /	
29	* WTC03080	COMPRESSEUR		-	* B0181400A	CONDENSATEUR COMPRESSEUR ALU 35µ	
29	* WCO02576	COMPRESSEUR ZR22 MONO 4 PIEDS		-	* B0181500A	CONDENSATEUR COMPRESSEUR 40µF C2	
29	* WCO03848	COMPRESSEUR TRI		-	WSG01935	CONDENSATEUR VENTILATEUR 3µF	
38	* WTC03070	DÉTENDEUR TX3 N13 407C		-	WCE03431	SONDE HYGRO CONTROL	

CODE **W28SI55A, W28SI80A, W28SI110A, W28SI110AT, W28SI55E, W28SI80E,
W28SI110E, W28SI110ET**

DESCRIPTION: **SIROCCO**

38	* WAC02497	DÉTENDEUR TX3 N34 407C	-	WCZ01371	DÉTECTEUR DE PHASE EDEN 3/5
38	* WAC02498	DÉTENDEUR TX3 N35 407C	-	WCY00995	DÉSHYDRATEUR 053S
39	WJC01669	PRESSOSTAT HP 20/26 BARS	-	WJP01682	THERMOSTAT DE SURCHAUFFE MANUEL
-	WJP01681	THERMOSTAT DE SURCHAUFFE AUTO	B	* WTC03074	ENSEMBLE VENTILATION
-	* WKITMANCH55	KIT MANCHETTES SIROCCO 55	B	* WTC03075	ENSEMBLE VENTILATION
-	* WKITMANCH80	KIT MANCHETTES SIROCCO 80	B	* WTC03076	ENSEMBLE VENTILATION
-	* WKITMANC110	KIT MANCHETTES SIROCCO 110	C	WD000001	HYGRO CONTROL + SONDE **
22A	WIB01637	GRILLE FIXE	D	WCE01314	HYGROSTAT STANDARD MURAL
22B/23	WGRILSIROCO	GRILLE MOBILE + FIXE			

CODE **W28SI55A, W28SI80A, W28SI110A, W28SI110AT, W28SI55E, W28SI80E, W28SI110E, W28SI110ET**

DESCRIPTION: **SIROCCO**

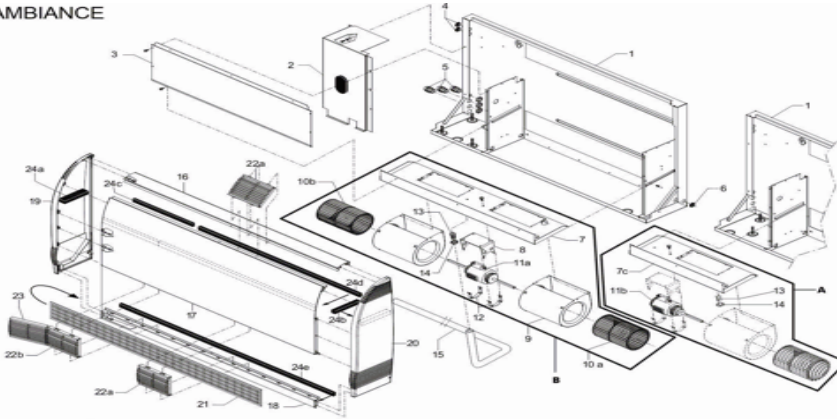
OBSERVATIONS

POS	CODE	OBSERVATIONS
21	* WSD01913	POUR: W28SI55A AMBIENTE/AMBIENT
21	* WSD01914	POUR: W28SI80A AMBIENTE/AMBIENT
21	* WSD01915	POUR: W28SI110A, W28SI110AT AMBIENTE/AMBIENT
21	* WSD01911	POUR: W28SI55E EMPOTRADO / THROUGH-THE-WALL
21	* WSD01912	POUR: W28SI80E EMPOTRADO / THROUGH-THE-WALL
21	* WSD01913	POUR: W28SI110E, W28SI110ET EMPOTRADO / THROUGH-THE-WALL
29	* WTC03071	POUR: W28SI55A, W28SI55E
29	* WTC03080	POUR: W28SI80A, W28SI80E
29	* WCO02576	POUR: W28SI110A, W28SI110E
29	* WCO03848	POUR: W28SI110AT, W28SI110ET
38	* WTC03070	POUR: W28SI55A, W28SI55E
38	* WAC02497	POUR: W28SI80A, W28SI80E
38	* WAC02498	POUR: W28SI110A, W28SI110AT, W28SI110E, W28SI110ET
-	* WEG01422	POUR: W28SI55A, W28SI55E
-	* WEG01423	POUR: W28SI80A, W28SI80E
-	* WEG01424	POUR: W28SI110A, W28SI110AT, W28SI110E, W28SI110ET
-	* B0181300A	POUR: W28SI55A, W28SI55E
-	* B0181400A	POUR: W28SI80A, W28SI80E
-	* B0181500A	POUR: W28SI110A, W28SI110AT, W28SI110E, W28SI110ET
-	* WKITMANCH55	POUR: W28SI55A, W28SI55E
-	* WKITMANCH80	POUR: W28SI80A, W28SI80E
-	* WKITMANC110	POUR: W28SI110A, W28SI110AT, W28SI110E, W28SI110ET
B	* WTC03074	POUR: W28SI55A, W28SI55E
B	* WTC03075	POUR: W28SI80A, W28SI80E
B	* WTC03076	POUR: W28SI110A, W28SI110AT, W28SI110E, W28SI110ET

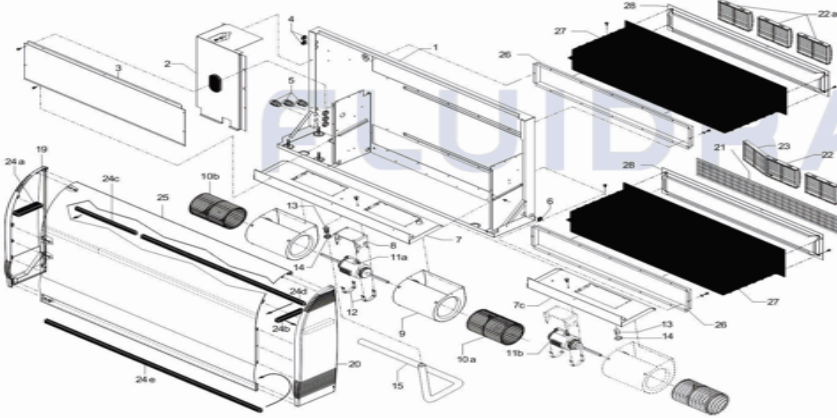
CODE **W28SI55A, W28SI80A, W28SI110A, W28SI110AT, W28SI55E, W28SI80E, W28SI110E, W28SI110ET**

DESCRIPTION: **SIROCCO**

AMBIANCE



ENCASTRÉ



ENGLISH

POS	CODE	DESCRIPTION	QUANTITY	POS	CODE	DESCRIPTION	QUANTITY
12	WTC03893	MOTOR FAN MOUNTING CLIP		40	WJC01668	LP PRESSURE SWITCH* 0.5/2 B	
21	* WSD01913	FILTER SIZE 135 X 940 MM		50	WCE06000	REGULATOR ECP 600	
21	* WSD01914	FILTER SIZE 135 X 1130 MM		-	WCE01312	DEFROSTING SENSOR	
21	* WSD01915	FILTER SIZE 135 X 1320 MM		-	WCE01311	TEMPERATURE SENSOR	
21	* WSD01911	FILTER SIZE 135 X 560 MM		-	* WEG01422	RESISTANCE (ELECTRIC HEATING OPTIO	
21	* WSD01912	FILTER SIZE 135 X 750 MM		-	* WEG01423	RESISTANCE (ELECTRIC HEATING OPTIO	
21	* WSD01913	FILTER SIZE 135 X 940 MM		-	* WEG01424	RESISTANCE (ELECTRIC HEATING OPTIO	
29	* WTC03071	COMPRESSOR RK5512C SINGLE PH.		-	* B0181300A	COMPRESOR CAPACITOR 25µF C2	
29	* WTC03080	COMPRESSOR		-	* B0181400A	COMPRESOR ALU CAPACITOR 35?F	
29	* WCO02576	COMPRESSOR ZR22 SINGLE PHASE 4 FEE		-	* B0181500A	COMPRESSOR CONDENSER 40 ?F C2	
29	* WCO03848	COMPRESSOR 3 PH.		-	WSG01935	FAN CAPACITOR 3?F	
38	* WTC03070	EXPANSION VALVE TX3 N13 407C		-	WCE03431	HYGRO CONTROL SENSOR	

CODE **W28SI55A, W28SI80A, W28SI110A, W28SI110AT, W28SI55E, W28SI80E, W28SI110E, W28SI110ET**

DESCRIPTION: **SIROCCO**

38	* WAC02497	EXPANSION VALVE TX3 N34 407C	-	WCZ01371	PHASE CONTROLLER EDEN 3/5
38	* WAC02498	EXPANSION VALVE TX3 N35 407C	-	WCY00995	DEHUMIDIFIER 053S
39	WJC01669	HP PRESSURE SWITCH* 20-26 B	-	WJP01682	MANUAL OVERHEATING THERMOSTAT
-	WJP01681	AUTOMATIC OVERHEATING THERMOSTAT	B	* WTC03074	VENTILATION SET
-	* WKITMANCH55	THROUGH THE WALL KIT SIROCCO 55	B	* WTC03075	VENTILATION SET
-	* WKITMANCH80	THROUGH THE WALL KIT SIROCCO 80	B	* WTC03076	VENTILATION SET
-	* WKITMANC110	THROUGH THE WALL KIT SIROCCO 110	C	WD000001	HYGRO CONTROL + SENSOR**
22A	WIB01637	FIXED GRATE	D	WCE01314	STANDARD WALL HYGROSTAT
22B/23	WGRILSIROCO	REMOVABLE + FIXED GRATE			

CODE **W28SI55A, W28SI80A, W28SI110A, W28SI110AT, W28SI55E, W28SI80E,
W28SI110E, W28SI110ET**

DESCRIPTION: **SIROCCO**

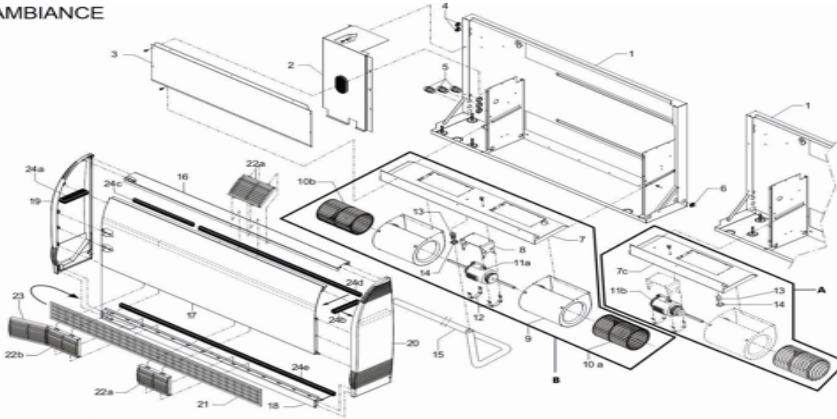
OBSERVATIONS

POS	CODE	OBSERVATIONS
21	* WSD01913	FOR: W28SI55A AMBIENTE/AMBIENT
21	* WSD01914	FOR: W28SI80A AMBIENTE/AMBIENT
21	* WSD01915	FOR: W28SI110A, W28SI110AT AMBIENTE/AMBIENT
21	* WSD01911	FOR: W28SI55E EMPOTRADO / THROUGH-THE-WALL
21	* WSD01912	FOR: W28SI80E EMPOTRADO / THROUGH-THE-WALL
21	* WSD01913	FOR: W28SI110E, W28SI110ET EMPOTRADO / THROUGH-THE-WALL
29	* WTC03071	FOR: W28SI55A, W28SI55E
29	* WTC03080	FOR: W28SI80A, W28SI80E
29	* WCO02576	FOR: W28SI110A, W28SI110E
29	* WCO03848	FOR: W28SI110AT, W28SI110ET
38	* WTC03070	FOR: W28SI55A, W28SI55E
38	* WAC02497	FOR: W28SI80A, W28SI80E
38	* WAC02498	FOR: W28SI110A, W28SI110AT, W28SI110E, W28SI110ET
-	* WEG01422	FOR: W28SI55A, W28SI55E
-	* WEG01423	FOR: W28SI80A, W28SI80E
-	* WEG01424	FOR: W28SI110A, W28SI110AT, W28SI110E, W28SI110ET
-	* B0181300A	FOR: W28SI55A, W28SI55E
-	* B0181400A	FOR: W28SI80A, W28SI80E
-	* B0181500A	FOR: W28SI110A, W28SI110AT, W28SI110E, W28SI110ET
-	* WKITMANCH55	FOR: W28SI55A, W28SI55E
-	* WKITMANCH80	FOR: W28SI80A, W28SI80E
-	* WKITMANC110	FOR: W28SI110A, W28SI110AT, W28SI110E, W28SI110ET
B	* WTC03074	FOR: W28SI55A, W28SI55E
B	* WTC03075	FOR: W28SI80A, W28SI80E
B	* WTC03076	FOR: W28SI110A, W28SI110AT, W28SI110E, W28SI110ET

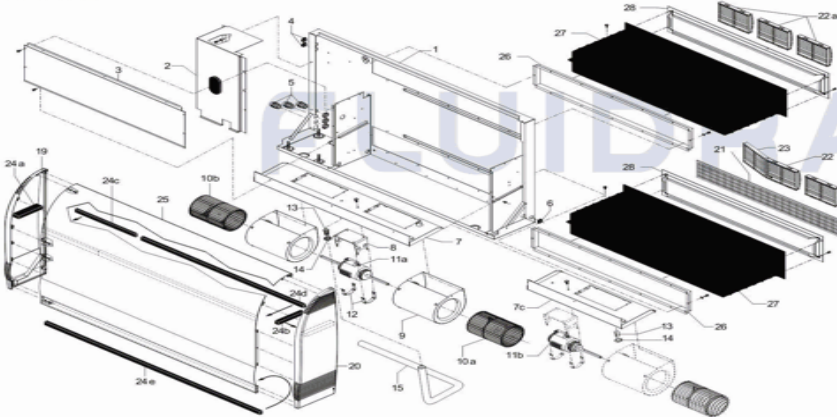
CODICE **W28SI55A, W28SI80A, W28SI110A, W28SI110AT, W28SI55E, W28SI80E, W28SI110E, W28SI110ET**

DESCRIZIONE: **SIROCCO**

AMBIANCE



ENCASTRÉ



ITALIANO

POS	CODICE	DESCRIZIONE	QUANTITA'	POS	CODICE	DESCRIZIONE	QUANTITA'
12	WTC03893	CLIP FISSAGGIO MOTORE VENTILAT		40	WJC01668	PRESSOSTATO BASSA PRESSIONE	
21	* WSD01913	FILTRO .135X940 MM		50	WCE06000	REGOLATORE ECP 600	
21	* WSD01914	FILTRO 135X1130 MM		-	WCE01312	SONDA DI SBRINAMENTO (GRIGIA)	
21	* WSD01915	FILTRO 135X1320 MM		-	WCE01311	SONDA DI RIPRESA	
21	* WSD01911	FILTRO 135X560 MM		-	* WEG01422	RESISTANCE SIROCCO 2KW 230V	
21	* WSD01912	FILTRO 135X750 MM		-	* WEG01423	RESISTANCE SIROCCO 3KW 230V	
21	* WSD01913	FILTRO .135X940 MM		-	* WEG01424	RESISTANCE SIROCCO 4,5KW 230V	
29	* WTC03071	COMPRESSORE		-	* B0181300A	COND. COMPRESSORE C2 25? F	
29	* WTC03080	COMPRESSORE		-	* B0181400A	COND. COMPRESSORE 35? F	
29	* WCO02576	COMPRESSORE (SIROCCO 110)		-	* B0181500A	COND. COMPRESSORE 40? F	
29	* WCO03848	COMPRESSORE		-	WSG01935	COND. VENTILATORE 3? F	
38	* WTC03070	RIDUTTORE PRESSIONE TX3 N13		-	WCE03431	SONDA HYGRO CONTROL	

*** SI FACCIA RIFERIMENTO AL FOGLIO DELLE OSSERVAZIONI**

CODICE **W28SI55A, W28SI80A, W28SI110A, W28SI110AT, W28SI55E, W28SI80E,
W28SI110E, W28SI110ET**

DESCRIZIONE: **SIROCCO**

38	* WAC02497	RIDUTTORE PRESSIONE TX3 N34	-	WCZ01371	CONTROLLORE DI FASE
38	* WAC02498	RIDUTTORE PRESSIONE TX3 N35	-	WCY00995	ESSICATORE 053S
39	WJC01669	PRESSOSTATO ALTA PRESSIONE	-	WJP01682	TERMOSTATO SICUREZZA MANUALE
-	WJP01681	TERMOSTATO SICUREZZA AUTOM.	B	* WTC03074	GRUPPO VENTILAZ.
-	* WKITMANCH55	KIT MANCHETTES SIROCCO 55 E	B	* WTC03075	GRUPPO VENTILAZ.
-	* WKITMANCH80	KIT MANCHETTES SIROCCO 80 E	B	* WTC03076	GRUPPO VENTILAZ.
-	* WKITMANC110	KIT MANCHETTES SIROCCO 110 E	C	WD000001	HYGRO-CONTROL + SONDA **
22A	WIB01637	GRIGLIA FISSA	D	WCE01314	IGROSTATO STANDARD A MURO
22B/23	WGRILSIROCO	GRIGLIA MOBILE + FISSA			

CODICE **W28SI55A, W28SI80A, W28SI110A, W28SI110AT, W28SI55E, W28SI80E,
W28SI110E, W28SI110ET**

DESCRIZIONE: **SIROCCO**

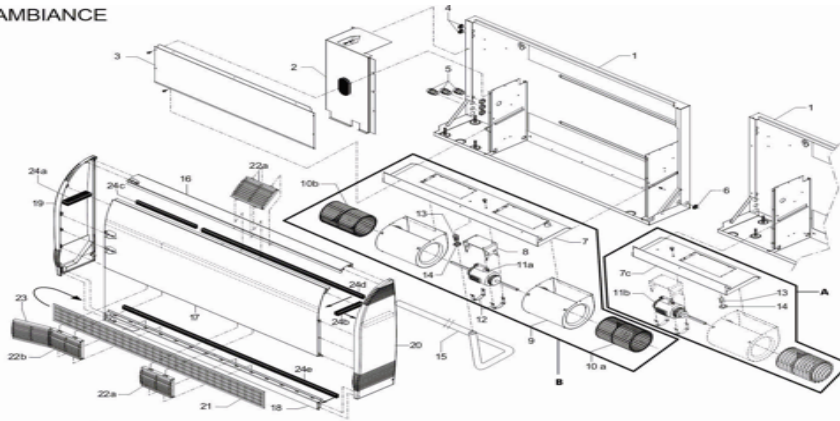
OSSERVAZIONI

POS	CODICE	OSSERVAZIONI
21	* WSD01913	PER: W28SI55A AMBIENTE/AMBIENT
21	* WSD01914	PER: W28SI80A AMBIENTE/AMBIENT
21	* WSD01915	PER: W28SI110A, W28SI110AT AMBIENTE/AMBIENT
21	* WSD01911	PER: W28SI55E EMPOTRADO / THROUGH-THE-WALL
21	* WSD01912	PER: W28SI80E EMPOTRADO / THROUGH-THE-WALL
21	* WSD01913	PER: W28SI110E, W28SI110ET EMPOTRADO / THROUGH-THE-WALL
29	* WTC03071	PER: W28SI55A, W28SI55E
29	* WTC03080	PER: W28SI80A, W28SI80E
29	* WCO02576	PER: W28SI110A, W28SI110E
29	* WCO03848	PER: W28SI110AT, W28SI110ET
38	* WTC03070	PER: W28SI55A, W28SI55E
38	* WAC02497	PER: W28SI80A, W28SI80E
38	* WAC02498	PER: W28SI110A, W28SI110AT, W28SI110E, W28SI110ET
-	* WEG01422	PER: W28SI55A, W28SI55E
-	* WEG01423	PER: W28SI80A, W28SI80E
-	* WEG01424	PER: W28SI110A, W28SI110AT, W28SI110E, W28SI110ET
-	* B0181300A	PER: W28SI55A, W28SI55E
-	* B0181400A	PER: W28SI80A, W28SI80E
-	* B0181500A	PER: W28SI110A, W28SI110AT, W28SI110E, W28SI110ET
-	* WKITMANCH55	PER: W28SI55A, W28SI55E
-	* WKITMANCH80	PER: W28SI80A, W28SI80E
-	* WKITMANC110	PER: W28SI110A, W28SI110AT, W28SI110E, W28SI110ET
B	* WTC03074	PER: W28SI55A, W28SI55E
B	* WTC03075	PER: W28SI80A, W28SI80E
B	* WTC03076	PER: W28SI110A, W28SI110AT, W28SI110E, W28SI110ET

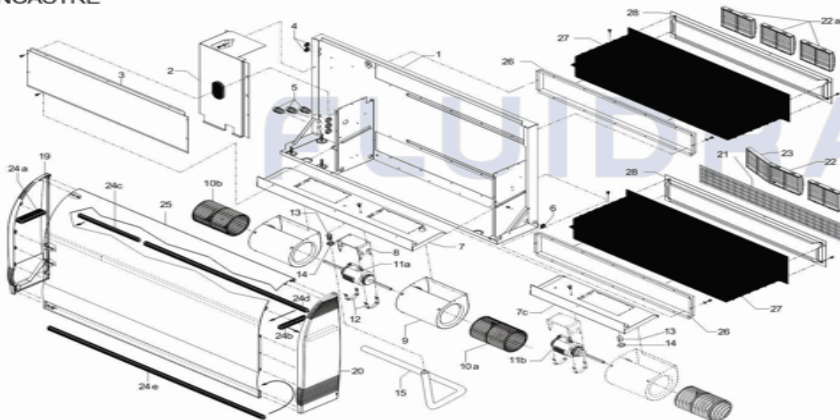
CODE **W28SI55A, W28SI80A, W28SI110A, W28SI110AT, W28SI55E, W28SI80E, W28SI110E, W28SI110ET**

BESCHREIBUNG: **SIROCCO**

AMBIANCE



ENCASTRÉ



DEUTSCH

POS	CODE	BESCHREIBUNG	MENGE	POS	CODE	BESCHREIBUNG	MENGE
12	WTC03893	CLIP DE FIXATION POUR SIROCCO		40	WJC01668	NIEDERDRUCKSCHALTER	
21	* WSD01913	FILTER 940 X 135 MM		50	WCE06000	STEUERUNG ECP 600 V2.0 (2013)	
21	* WSD01914	FILTER 1130 X 135 MM		-	WCE01312	SONDE ANTIGEL,DEGIV.GRISE	
21	* WSD01915	FILTER 1320 X 135 MM		-	WCE01311	SONDE REGULATION (NOIRE)	
21	* WSD01911	FILTER 560 X 135 MM		-	* WEG01422	RESISTANCE SIROCCO 2KW 230V	
21	* WSD01912	FILTER 750 X 135 MM		-	* WEG01423	RESISTANCE SIROCCO 3KW 230V	
21	* WSD01913	FILTER 940 X 135 MM		-	* WEG01424	RESISTANCE SIROCCO 4,5KW 230V	
29	* WTC03071	KOMPRESSOR RK5512 C		-	* B0181300A	KONDENSATOR 25 ?F ALU	
29	* WTC03080	COMPRESSEUR		-	* B0181400A	KONDENSATOR 35 ?F ALU	
29	* WCO02576	KOMPRESSOR ZR 22/ K3,		-	* B0181500A	KONDENSATOR 40 ?F ALU	
29	* WCO03848	KOMPRESSOR -PHASIG		-	WSG01935	LÜFTERKONDENSATOR 3?F	
38	* WTC03070	EXPANSIONSVENTIL TX3 N13 407 C		-	WCE03431	SONDE HYGRO CONTROL	

CODE **W28SI55A, W28SI80A, W28SI110A, W28SI110AT, W28SI55E, W28SI80E,
W28SI110E, W28SI110ET**

BESCHREIBUNG: **SIROCCO**

38	* WAC02497	DRUCKMINDERVENTIL TX3 N34	-	WCZ01371	PHASENWÄCHTER
38	* WAC02498	DRUCKMINDERVENTIL TX3 N35 407C	-	WCY00995	TROCKNER 053S F. EDEN 1,2,3/
39	WJC01669	HOCHDRUCKSCHALTER	-	WJP01682	SICHERHEITSTHERMOSTAT MANUELL
-	WJP01681	SICHERHEITSTHERMOSTAT AUTOMAT.	B	* WTC03074	GEBLÄSEEINHEIT
-	* WKITMANCH55	KIT MANCHETTES	B	* WTC03075	GEBLÄSEEINHEIT
-	* WKITMANCH80	KIT MANCHETTES SIROCCO 80 E	B	* WTC03076	GEBLÄSEEINHEIT
-	* WKITMANC110	WANDDURCHFÜHRUNG	C	WD000001	HYGROCONTROL 2014
22A	WIB01637	GITTER, FEST	D	WCE01314	HYGROSTAT BOITIER
22B/23	WGRILSIROCO	BEWEGLICHES + FESTES GITTER			

CODE **W28SI55A, W28SI80A, W28SI110A, W28SI110AT, W28SI55E, W28SI80E,
W28SI110E, W28SI110ET**

BESCHREIBUNG: **SIROCCO**

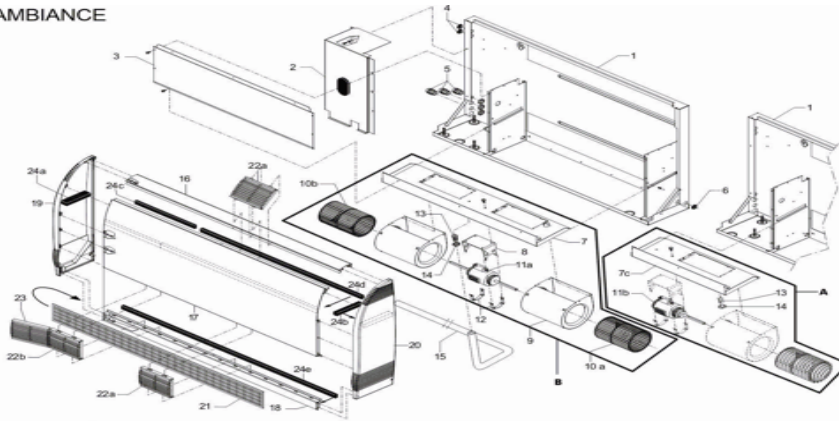
HINWEISE

POS	CODE	HINWEISE
21	* WSD01913	FÜR: W28SI55A AMBIENTE/AMBIENT
21	* WSD01914	FÜR: W28SI80A AMBIENTE/AMBIENT
21	* WSD01915	FÜR: W28SI110A, W28SI110AT AMBIENTE/AMBIENT
21	* WSD01911	FÜR: W28SI55E EMPOTRADO / THROUGH-THE-WALL
21	* WSD01912	FÜR: W28SI80E EMPOTRADO / THROUGH-THE-WALL
21	* WSD01913	FÜR: W28SI110E, W28SI110ET EMPOTRADO / THROUGH-THE-WALL
29	* WTC03071	FÜR: W28SI55A, W28SI55E
29	* WTC03080	FÜR: W28SI80A, W28SI80E
29	* WCO02576	FÜR: W28SI110A, W28SI110E
29	* WCO03848	FÜR: W28SI110AT, W28SI110ET
38	* WTC03070	FÜR: W28SI55A, W28SI55E
38	* WAC02497	FÜR: W28SI80A, W28SI80E
38	* WAC02498	FÜR: W28SI110A, W28SI110AT, W28SI110E, W28SI110ET
-	* WEG01422	FÜR: W28SI55A, W28SI55E
-	* WEG01423	FÜR: W28SI80A, W28SI80E
-	* WEG01424	FÜR: W28SI110A, W28SI110AT, W28SI110E, W28SI110ET
-	* B0181300A	FÜR: W28SI55A, W28SI55E
-	* B0181400A	FÜR: W28SI80A, W28SI80E
-	* B0181500A	FÜR: W28SI110A, W28SI110AT, W28SI110E, W28SI110ET
-	* WKITMANCH55	FÜR: W28SI55A, W28SI55E
-	* WKITMANCH80	FÜR: W28SI80A, W28SI80E
-	* WKITMANC110	FÜR: W28SI110A, W28SI110AT, W28SI110E, W28SI110ET
B	* WTC03074	FÜR: W28SI55A, W28SI55E
B	* WTC03075	FÜR: W28SI80A, W28SI80E
B	* WTC03076	FÜR: W28SI110A, W28SI110AT, W28SI110E, W28SI110ET

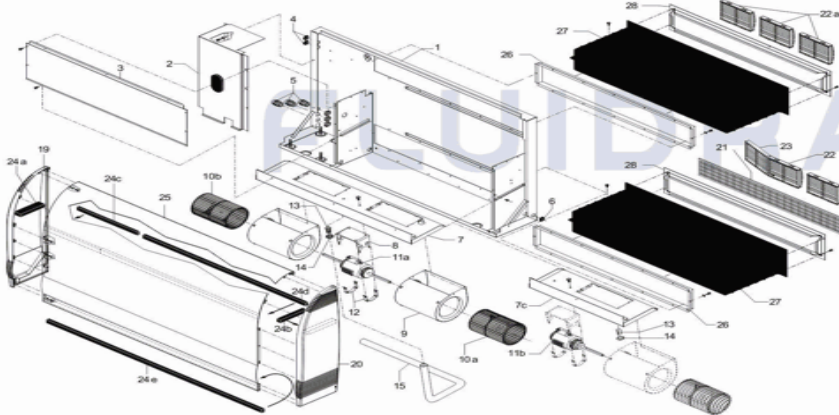
CODIGO W28SI55A, W28SI80A, W28SI110A, W28SI110AT, W28SI55E, W28SI80E, W28SI110E, W28SI110ET

DESCRIÇÃO: SIROCCO

AMBIANCE



ENCASTRÉ



PORTUGUES

POS	CODIGO	DESCRIÇÃO	JANTIDADE	POS	CODIGO	DESCRIÇÃO	JANTIDADE
12	WTC03893	CLIP DE FIXATION POUR SIROCCO		40	WJC01668	INDICADOR PRESSÃO BP 0,5/2BARS	
21	* WSD01913	FILTRO DIM 135 X 940 MM		50	WCE06000	REGULADOR ECP600 V2.0 (NOVO)	
21	* WSD01914	FILTRO DIM 135 X 1130 MM		-	WCE01312	SONDA CINZA PTC ECP	
21	* WSD01915	FILTRO DIM 135 X 1320 MM		-	WCE01311	SONDA PRETA PTC ECP	
21	* WSD01911	FILTRO DIM 135 X 560 MM		-	* WEG01422	RESISTANCE SIROCCO 2KW 230V	
21	* WSD01912	FILTRO DIM 135 X 750 MM		-	* WEG01423	RESISTANCE SIROCCO 3KW 230V	
21	* WSD01913	FILTRO DIM 135 X 940 MM		-	* WEG01424	RESISTANCE SIROCCO 4,5KW 230V	
29	* WTC03071	COMPRESSOR RK5512C MONO		-	* B0181300A	CONDENSATEUR 25 MICRO F ALU	
29	* WTC03080	COMPRESSEUR		-	* B0181400A	CONDENSATEUR 35 MICRO F ALU	
29	* WCO02576	COMPRESSOR ZR22K3 MONO		-	* B0181500A	CONDENSATEUR 40 MICRO F ALU	
29	* WCO03848	COMPRESSOR TRI		-	WSG01935	CONDENSADOR VENTILADOR 3?F	
38	* WTC03070	VÁLVULA EXPANSÃO TX3 N13 407C		-	WCE03431	SONDA HYGRO CONTROL	

CODIGO **W28SI55A, W28SI80A, W28SI110A, W28SI110AT, W28SI55E, W28SI80E,
W28SI110E, W28SI110ET**

DESCRIÇÃO: SIROCCO

38	* WAC02497	VÁLVULA EXPANSÃO TX3 N34 407C	-	WCZ01371	CONTROLADOR DE FASE
38	* WAC02498	VÁLVULA EXPANSÃO TX3 N35 407C	-	WCY00995	DESIDRATADOR 053S PFIRST
39	WJC01669	INDICADOR PRESSÃO HP 20/26BARS	-	WJP01682	TERMÓSTATO INSUFLAÇÃO MANUAL
-	WJP01681	TERMÓSTATO INSUFLAÇÃO AUTOMÁT	B	* WTC03074	CONJUNTO VENTILAÇÃO
-	* WKITMANCH55	KIT MANCHETTES SIROCCO 55 E	B	* WTC03075	CONJUNTO VENTILAÇÃO
-	* WKITMANCH80	KIT MANCHETTES SIROCCO 80 E	B	* WTC03076	CONJUNTO VENTILAÇÃO
-	* WKITMANC110	KIT MANCHETTES SIROCCO 110 E	C	WD000001	HYGROCONTROL 2014
22A	WIB01637	GRELHA FIXA	D	WCE01314	HIGROSTATO STANDARD MURAL
22B/23	WGRILSIROCO	GRELHA MÓVEL + FIXA			

CODIGO **W28SI55A, W28SI80A, W28SI110A, W28SI110AT, W28SI55E, W28SI80E,
W28SI110E, W28SI110ET**

DESCRIÇÃO: SIROCCO

OBSERVAÇÕES

POS	CODIGO	OBSERVAÇÕES
21	* WSD01913	PARA: W28SI55A AMBIENTE/AMBIENT
21	* WSD01914	PARA: W28SI80A AMBIENTE/AMBIENT
21	* WSD01915	PARA: W28SI110A, W28SI110AT AMBIENTE/AMBIENT
21	* WSD01911	PARA: W28SI55E EMPOTRADO / THROUGH-THE-WALL
21	* WSD01912	PARA: W28SI80E EMPOTRADO / THROUGH-THE-WALL
21	* WSD01913	PARA: W28SI110E, W28SI110ET EMPOTRADO / THROUGH-THE-WALL
29	* WTC03071	PARA: W28SI55A, W28SI55E
29	* WTC03080	PARA: W28SI80A, W28SI80E
29	* WCO02576	PARA: W28SI110A, W28SI110E
29	* WCO03848	PARA: W28SI110AT, W28SI110ET
38	* WTC03070	PARA: W28SI55A, W28SI55E
38	* WAC02497	PARA: W28SI80A, W28SI80E
38	* WAC02498	PARA: W28SI110A, W28SI110AT, W28SI110E, W28SI110ET
-	* WEG01422	PARA: W28SI55A, W28SI55E
-	* WEG01423	PARA: W28SI80A, W28SI80E
-	* WEG01424	PARA: W28SI110A, W28SI110AT, W28SI110E, W28SI110ET
-	* B0181300A	PARA: W28SI55A, W28SI55E
-	* B0181400A	PARA: W28SI80A, W28SI80E
-	* B0181500A	PARA: W28SI110A, W28SI110AT, W28SI110E, W28SI110ET
-	* WKITMANCH55	PARA: W28SI55A, W28SI55E
-	* WKITMANCH80	PARA: W28SI80A, W28SI80E
-	* WKITMANC110	PARA: W28SI110A, W28SI110AT, W28SI110E, W28SI110ET
B	* WTC03074	PARA: W28SI55A, W28SI55E
B	* WTC03075	PARA: W28SI80A, W28SI80E
B	* WTC03076	PARA: W28SI110A, W28SI110AT, W28SI110E, W28SI110ET