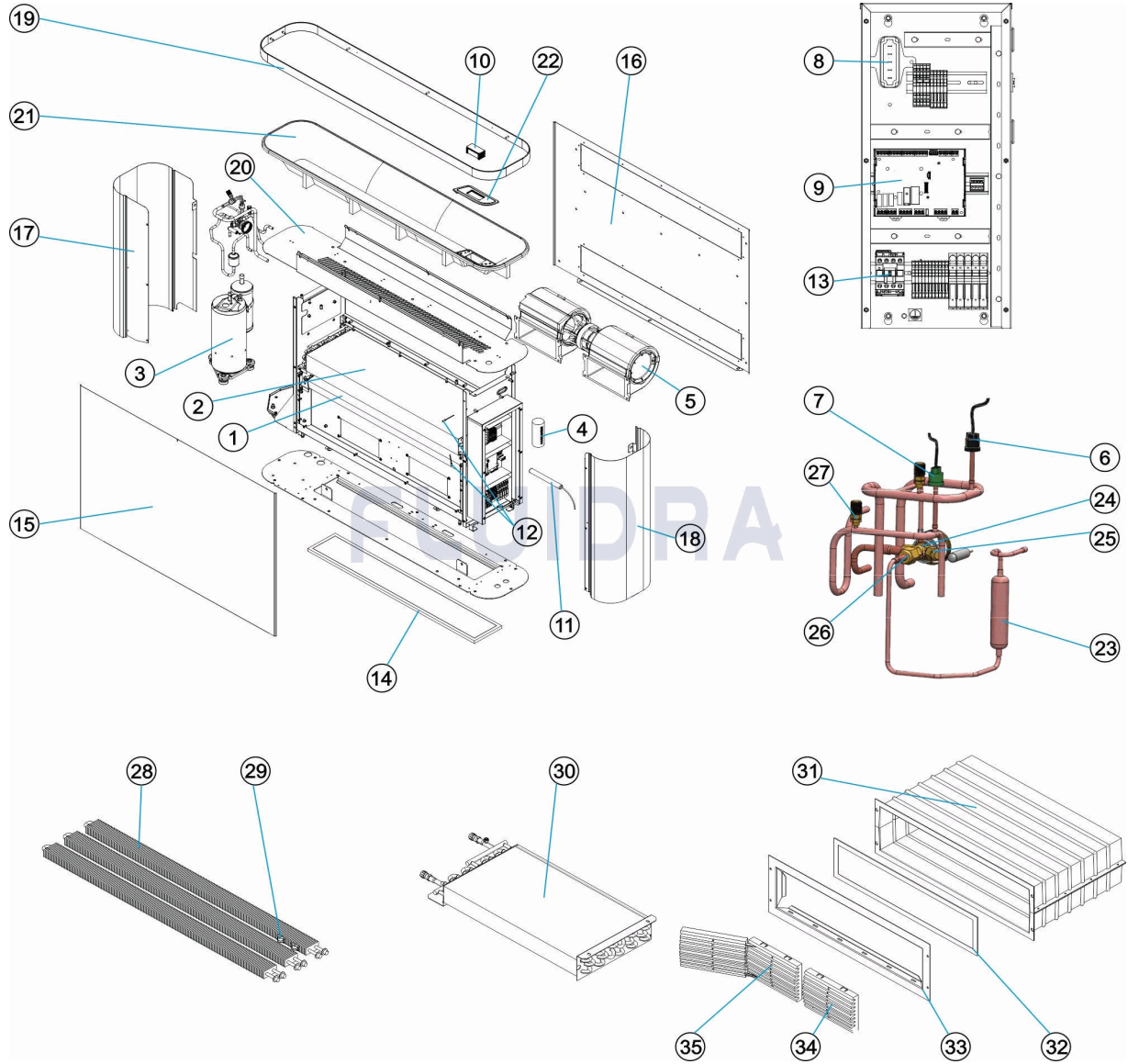


CODIGO **WD002088, WD002089, WD002090, WD002091, WD002215, WD002216, WD002217, WD002218**

DESCRIPCION: **SIROCCO²**



ESPAÑOL

POS	CODIGO	DESCRIPCION	CANTIDAD	POS	CODIGO	DESCRIPCION	CANTIDAD
1	* 00820141	EVAPORADOR		8	07590031	CONTROLADOR DE FASE	
1	* 00820147	EVAPORADOR		9	* 02170006-2	PLACA BASE 2M	
2	* 00820142	CONDENSADOR		9	* 02170006-3	PLACA BASE 3M	
2	* 00820145	CONDENSADOR		9	* 02170006-5	PLACA BASE 5M / 5T	
2	* 00820148	CONDENSADOR		10	06070047	IHM	
3	* 01870021	COMPRESOR		11	07220002	SENSOR HUMEDAD	
3	* 01870022	COMPRESOR		12	07220003	SENSOR TEMPERATURA	
3	* 01870023	COMPRESOR		13	* 02050273	RELÉ COMPRESOR (14A, 230V, 5,5KW,AC3	
3	* 01870026	COMPRESOR		13	* 02050271	CONTACTOR VENTILADOR	
4	* 01870588	CONDENSADOR COMPRESOR (35UF)		14	* 03010005	FILTRO AIRE	
4	* 01870589	CONDENSADOR COMPRESOR (60UF)		14	* 03010006	FILTRO AIRE	
5	* KITSVS2001	VENTILADOR CENTRIFUGO DOBLE		15	* SIR2-SI10-2/3-B	PANEL FRONTAL	

CODIGO **WD002088, WD002089, WD002090, WD002091, WD002215, WD002216, WD002217, WD002218**

DESCRIPCION: SIROCCO²

5	09080754	VENTILADOR CENTRIFUGO DOBLE	15	* SIR2-SI10-2/3-G	PANEL FRONTAL
6	06460016	INTERRUPTOR BAJA PRESIÓN	15	* SIR2-SI10-5-B	PANEL FRONTAL
7	06460017	INTERRUPTOR ALTA PRESIÓN	15	* SIR2-SI10-5-G	PANEL FRONTAL
16	* SIR2-SI11-2/3-B	PANEL TRASERO	23	* 03060007	FILTRO SECADOR
16	* SIR2-SI11-2/3-G	PANEL TRASERO	24	08420231	VÁLVULA DE EXPANSIÓN TERMOSTÁTICA
16	* SIR2-SI11-5-B	PANEL TRASERO	25	* 05700123	VÁLVULA ORIFICIO
16	* SIR2-SI11-5-G	PANEL TRASERO	25	* 05700124	VÁLVULA ORIFICIO
17	* SIR2-SI9-2-B	PANEL IZQUIERDO	25	* 05700125	VÁLVULA ORIFICIO
17	* SIR2-SI9-2-G	PANEL IZQUIERDO	26	* 08030006	ADAPTADOR PARA VÁLVULA DE EXPANSIÓ
17	* SIR2-SI9-3-B	PANEL IZQUIERDO	26	* 08030007	ADAPTADOR PARA VÁLVULA DE EXPANSIÓ
17	* SIR2-SI9-3-G	PANEL IZQUIERDO	27	05650035	VÁLVULA DE CARGA (R410A)
17	* SIR2-SI9-5-B	PANEL IZQUIERDO	28	* 06810017	RESISTENCIA ELÉCTRICA 2,5M
17	* SIR2-SI9-5-G	PANEL IZQUIERDO	28	* 06810018	RESISTENCIA ELÉCTRICA 3,5M
18	* SIR2-SI14-2+5-B	PANEL DERECHO	28	* 06810019	RESISTENCIA ELÉCTRICA 5M/5T
18	* SIR2-SI14-2+5-G	PANEL DERECHO	29	07710152	DISYUNTOR TÉRMICO 75°C
19	* 01701010	ANILLO	29	07710153	DISYUNTOR TÉRMICO 85°C
19	* 01701011	ANILLO	30	* 00820146	BATERÍA AGUA CALIENTE 2M-3M
19	* 01701060	ANILLO	30	* 00820149	BATERÍA AGUA CALIENTE 5M-5T
19	* 01701061	ANILLO	31	* 06710057	½ MANGA TERMOCONFORMADO 2M / 3M
20	* 01701014	REJILLA SUPERIOR	31	* 06710056	½ MANGA TERMOCONFORMADO 5M / 5T
20	* 01701015	REJILLA SUPERIOR	32	* 03010145	FILTRO 565X135X2.5
21	* 07670056	PANEL SUPERIOR TERMOFORMADO	32	* 03010146	FILTRO 945X135X2.5
21	* 07670057	PANEL SUPERIOR TERMOFORMADO	33	* 06710041	MARCO REJILLA DE AIRE 2M / 3M
22	07670058	SOPORTE IHM	33	* 06710042	MARCO REJILLA DE AIRE 5M / 5T
23	* 03060005	FILTRO SECADOR	34	06710043	LAMAS FIJAS
23	* 03060006	FILTRO SECADOR	35	06710044	ENSAMBLAJE LAMA FIJA + LAMA MÓVIL

CODIGO **WD002088, WD002089, WD002090, WD002091, WD002215, WD002216, WD002217, WD002218**

DESCRIPCION: SIROCCO²

OBSERVACIONES

POS	CODIGO	OBSERVACIONES
1	* 00820141	PARA: WD002088, WD002089, WD002215, WD002216
1	* 00820147	PARA: WD002090, WD002091, WD002217, WD002218
2	* 00820142	PARA: WD002088, WD002215
2	* 00820145	PARA: WD002089, WD002216
2	* 00820148	PARA: WD002090, WD002091, WD002217, WD002218
3	* 01870021	PARA: WD002088, WD002215
3	* 01870022	PARA: WD002089, WD002216
3	* 01870023	PARA: WD002090, WD002217
3	* 01870026	PARA: WD002091, WD002218
4	* 01870588	PARA: WD002088, WD002215
4	* 01870589	PARA: WD002089, WD002090, WD002216, WD002217
5	* KITSVS2001	PARA: SERIAL N°< AXED02 0302 1524 0016
9	* 02170006-2	PARA: WD002088, WD002215
9	* 02170006-3	PARA: WD002089, WD002216
9	* 02170006-5	PARA: WD002090, WD002091, WD002217, WD002218
13	* 02050273	PARA: WD002089, WD002090, WD002216, WD002217
13	* 02050271	PARA: WD002091, WD002218
14	* 03010005	PARA: WD002088, WD002089, WD002215, WD002216
14	* 03010006	PARA: WD002090, WD002091, WD002217, WD002218
15	* SIR2-SI10-2/3-B	PARA: WD002088, WD002089 WHITE
15	* SIR2-SI10-2/3-G	PARA: WD002215, WD002216 GREY
15	* SIR2-SI10-5-B	PARA: WD002090, WD002091 WHITE
15	* SIR2-SI10-5-G	PARA: WD002217, WD002218 GREY
16	* SIR2-SI11-2/3-B	PARA: WD002088, WD002089 WHITE
16	* SIR2-SI11-2/3-G	PARA: WD002215, WD002216 GREY
16	* SIR2-SI11-5-B	PARA: WD002090, WD002091 WHITE
16	* SIR2-SI11-5-G	PARA: WD002217, WD002218 GREY
17	* SIR2-SI9-2-B	PARA: WD002088 WHITE
17	* SIR2-SI9-2-G	PARA: WD002215 GREY
17	* SIR2-SI9-3-B	PARA: WD002089 WHITE
17	* SIR2-SI9-3-G	PARA: WD002216 GREY
17	* SIR2-SI9-5-B	PARA: WD002090, WD002091 WHITE
17	* SIR2-SI9-5-G	PARA: WD002217, WD002218 GREY
18	* SIR2-SI14-2+5-B	PARA: WD002088, WD002089, WD002090, WD002091 WHITE
18	* SIR2-SI14-2+5-G	PARA: WD002215, WD002216, WD002217, WD002218 GREY
19	* 01701010	PARA: WD002088, WD002089
19	* 01701011	PARA: WD002090, WD002091
19	* 01701060	PARA: WD002215, WD002216
19	* 01701061	PARA: WD002217, WD002218
20	* 01701014	PARA: WD002088, WD002089, WD002215, WD002216
20	* 01701015	PARA: WD002090, WD002091, WD002217, WD002218
21	* 07670056	PARA: WD002088, WD002089, WD002215, WD002216
21	* 07670057	PARA: WD002090, WD002091, WD002217, WD002218

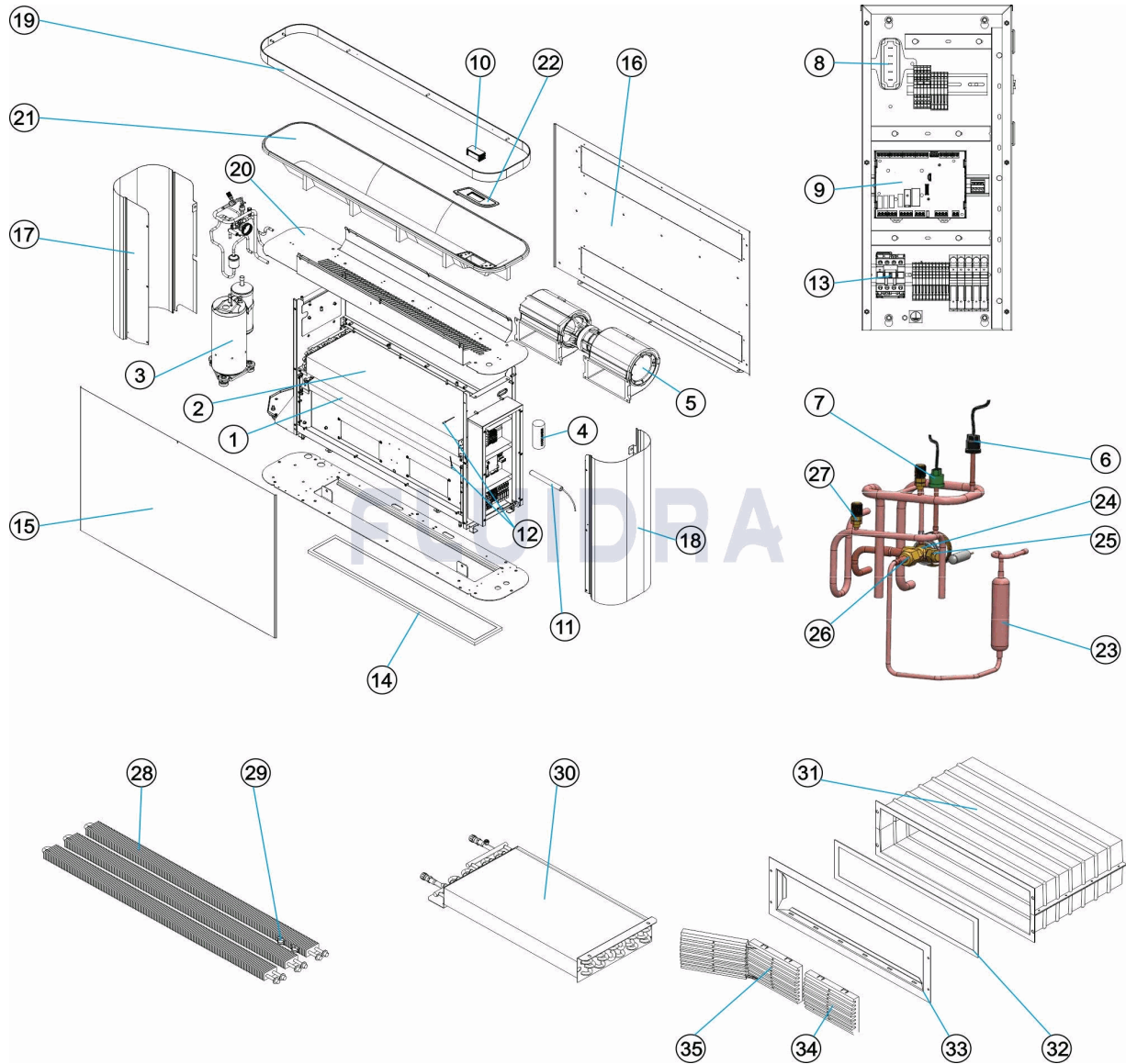
CODIGO **WD002088, WD002089, WD002090, WD002091, WD002215, WD002216,**
WD002217, WD002218

DESCRIPCION: SIROCCO²

23	* 03060005	PARA: WD002088, WD002215
23	* 03060006	PARA: WD002089, WD002216
23	* 03060007	PARA: WD002090, WD002091, WD002217, WD002218
25	* 05700123	PARA: WD002088, WD002215
25	* 05700124	PARA: WD002089, WD002216
25	* 05700125	PARA: WD002090, WD002091, WD002217, WD002218
26	* 08030006	PARA: WD002088, WD002089, WD002215, WD002216
26	* 08030007	PARA: WD002090, WD002091, WD002217, WD002218
28	* 06810017	PARA: WD002088, WD002215
28	* 06810018	PARA: WD002089, WD002216
28	* 06810019	PARA: WD002090, WD002091, WD002217, WD002218
30	* 00820146	PARA: WD002088, WD002089, WD002215, WD002216
30	* 00820149	PARA: WD002090, WD002091, WD002217, WD002218
31	* 06710057	PARA: WD002088, WD002089, WD002215, WD002216
31	* 06710056	PARA: WD002090, WD002091, WD002217, WD002218
32	* 03010145	PARA: WD002088, WD002089, WD002215, WD002216
32	* 03010146	PARA: WD002090, WD002091, WD002217, WD002218
33	* 06710041	PARA: WD002088, WD002089, WD002215, WD002216
33	* 06710042	PARA: WD002090, WD002091, WD002217, WD002218

CODE **WD002088, WD002089, WD002090, WD002091, WD002215, WD002216, WD002217, WD002218**

DESCRIPTION: **SIROCCO²**



FRANCAIS

POS	CODE	DESCRIPTION	QUANTITE	POS	CODE	DESCRIPTION	QUANTITE
1	* 00820141	EVAPORATEUR		8	07590031	CONTRÔLEUR DE PHASE	
1	* 00820147	EVAPORATEUR		9	* 02170006-2	CARTE PRINCIPALE 2M	
2	* 00820142	CONDENSEUR		9	* 02170006-3	CARTE PRINCIPALE 3M	
2	* 00820145	CONDENSEUR		9	* 02170006-5	CARTE PRINCIPALE 5M / 5T	
2	* 00820148	CONDENSEUR		10	06070047	IHM	
3	* 01870021	COMPRESSEUR		11	07220002	SONDE HYGROMÉTRIQUE	
3	* 01870022	COMPRESSEUR		12	07220003	SONDE TEMPÉRATURE	
3	* 01870023	COMPRESSEUR		13	* 02050273	RELAIS COMPRESSEUR (14A, 230V, 5,5KW)	
3	* 01870026	COMPRESSEUR		13	* 02050271	CONTACTEUR VENTILATEUR	
4	* 01870588	CONDENSATEUR COMPRESSEUR (35UF)		14	* 03010005	FILTRE ENTRÉE D'AIR	
4	* 01870589	CONDENSATEUR COMPRESSEUR (60UF)		14	* 03010006	FILTRE ENTRÉE D'AIR	
5	* KITSVS2001	VENTILATEUR CENTRIFUGE DOUBLE		15	* SIR2-SI10-2/3-B	PANNEAU FRONTAL	

CODE **WD002088, WD002089, WD002090, WD002091, WD002215, WD002216, WD002217, WD002218**

DESCRIPTION: **SIROCCO²**

5	09080754	VENTILATEUR CENTRIFUGE DOUBLE	15	* SIR2-SI10-2/3-G	PANNEAU FRONTAL
6	06460016	PRESSOSTAT BASSE PRESSION	15	* SIR2-SI10-5-B	PANNEAU FRONTAL
7	06460017	PRESSOSTAT HAUTE PRESSION	15	* SIR2-SI10-5-G	PANNEAU FRONTAL
16	* SIR2-SI11-2/3-B	PANNEAU ARRIÈRE	23	* 03060007	FILTRE DÉSHYDRATEUR
16	* SIR2-SI11-2/3-G	PANNEAU ARRIÈRE	24	08420231	DÉTENDEUR THERMOSTATIQUE
16	* SIR2-SI11-5-B	PANNEAU ARRIÈRE	25	* 05700123	ORIFICE
16	* SIR2-SI11-5-G	PANNEAU ARRIÈRE	25	* 05700124	ORIFICE
17	* SIR2-SI9-2-B	PANNEAU GAUCHE	25	* 05700125	ORIFICE
17	* SIR2-SI9-2-G	PANNEAU GAUCHE	26	* 08030006	ADAPTEUR POUR VANNE THERMOSTATIQU
17	* SIR2-SI9-3-B	PANNEAU GAUCHE	26	* 08030007	ADAPTEUR POUR VANNE THERMOSTATIQU
17	* SIR2-SI9-3-G	PANNEAU GAUCHE	27	05650035	VANNE DE CHARGE (R410A)
17	* SIR2-SI9-5-B	PANNEAU GAUCHE	28	* 06810017	RÉSISTANCE ÉLECTRIQUE 2,5M
17	* SIR2-SI9-5-G	PANNEAU GAUCHE	28	* 06810018	RÉSISTANCE ÉLECTRIQUE 3,5M
18	* SIR2-SI14-2+5-B	PANNEAU DROIT	28	* 06810019	RÉSISTANCE ÉLECTRIQUE 5M/ 5T
18	* SIR2-SI14-2+5-G	PANNEAU DROIT	29	07710152	DISJONCTEUR THERMIQUE 75°C
19	* 01701010	ENJOLIVEUR	29	07710153	DISJONCTEUR THERMIQUE 85°C
19	* 01701011	ENJOLIVEUR	30	* 00820146	BATTERIE EAU CHAUDE 2M-3M
19	* 01701060	ENJOLIVEUR	30	* 00820149	BATTERIE EAU CHAUDE 5M-5T
19	* 01701061	ENJOLIVEUR	31	* 06710057	½ MANCHE THERMOFROMÉE 2M / 3M
20	* 01701014	GRILLE DE SOUFFLAGE	31	* 06710056	½ MANCHE THERMOFROMÉE 5M / 5T
20	* 01701015	GRILLE DE SOUFFLAGE	32	* 03010145	FILTRE 565X135X2.5
21	* 07670056	PANNEAU SUPÉRIEUR THERMOFORMÉ	32	* 03010146	FILTRE 945X135X2.5
21	* 07670057	PANNEAU SUPÉRIEUR THERMOFORMÉ	33	* 06710041	CADRE GRILLE AIR 2M / 3M
22	07670058	SUPPORT IHM	33	* 06710042	CADRE GRILLE AIR 5M / 5T
23	* 03060005	FILTRE DÉSHYDRATEUR	34	06710043	AILETTES FIXES
23	* 03060006	FILTRE DÉSHYDRATEUR	35	06710044	ASSEMBLAGE AILETTE FIXE + AILETTE MO

CODE **WD002088, WD002089, WD002090, WD002091, WD002215, WD002216,
WD002217, WD002218**

DESCRIPTION: **SIROCCO²**

OBSERVATIONS

POS	CODE	OBSERVATIONS
1	* 00820141	POUR: WD002088, WD002089, WD002215, WD002216
1	* 00820147	POUR: WD002090, WD002091, WD002217, WD002218
2	* 00820142	POUR: WD002088, WD002215
2	* 00820145	POUR: WD002089, WD002216
2	* 00820148	POUR: WD002090, WD002091, WD002217, WD002218
3	* 01870021	POUR: WD002088, WD002215
3	* 01870022	POUR: WD002089, WD002216
3	* 01870023	POUR: WD002090, WD002217
3	* 01870026	POUR: WD002091, WD002218
4	* 01870588	POUR: WD002088, WD002215
4	* 01870589	POUR: WD002089, WD002090, WD002216, WD002217
5	* KITSVS2001	POUR: SERIAL N°< AXED02 0302 1524 0016
9	* 02170006-2	POUR: WD002088, WD002215
9	* 02170006-3	POUR: WD002089, WD002216
9	* 02170006-5	POUR: WD002090, WD002091, WD002217, WD002218
13	* 02050273	POUR: WD002089, WD002090, WD002216, WD002217
13	* 02050271	POUR: WD002091, WD002218
14	* 03010005	POUR: WD002088, WD002089, WD002215, WD002216
14	* 03010006	POUR: WD002090, WD002091, WD002217, WD002218
15	* SIR2-SI10-2/3-B	POUR: WD002088, WD002089 WHITE
15	* SIR2-SI10-2/3-G	POUR: WD002215, WD002216 GREY
15	* SIR2-SI10-5-B	POUR: WD002090, WD002091 WHITE
15	* SIR2-SI10-5-G	POUR: WD002217, WD002218 GREY
16	* SIR2-SI11-2/3-B	POUR: WD002088, WD002089 WHITE
16	* SIR2-SI11-2/3-G	POUR: WD002215, WD002216 GREY
16	* SIR2-SI11-5-B	POUR: WD002090, WD002091 WHITE
16	* SIR2-SI11-5-G	POUR: WD002217, WD002218 GREY
17	* SIR2-SI9-2-B	POUR: WD002088 WHITE
17	* SIR2-SI9-2-G	POUR: WD002215 GREY
17	* SIR2-SI9-3-B	POUR: WD002089 WHITE
17	* SIR2-SI9-3-G	POUR: WD002216 GREY
17	* SIR2-SI9-5-B	POUR: WD002090, WD002091 WHITE
17	* SIR2-SI9-5-G	POUR: WD002217, WD002218 GREY
18	* SIR2-SI14-2+5-B	POUR: WD002088, WD002089, WD002090, WD002091 WHITE
18	* SIR2-SI14-2+5-G	POUR: WD002215, WD002216, WD002217, WD002218 GREY
19	* 01701010	POUR: WD002088, WD002089
19	* 01701011	POUR: WD002090, WD002091
19	* 01701060	POUR: WD002215, WD002216
19	* 01701061	POUR: WD002217, WD002218
20	* 01701014	POUR: WD002088, WD002089, WD002215, WD002216
20	* 01701015	POUR: WD002090, WD002091, WD002217, WD002218
21	* 07670056	POUR: WD002088, WD002089, WD002215, WD002216
21	* 07670057	POUR: WD002090, WD002091, WD002217, WD002218

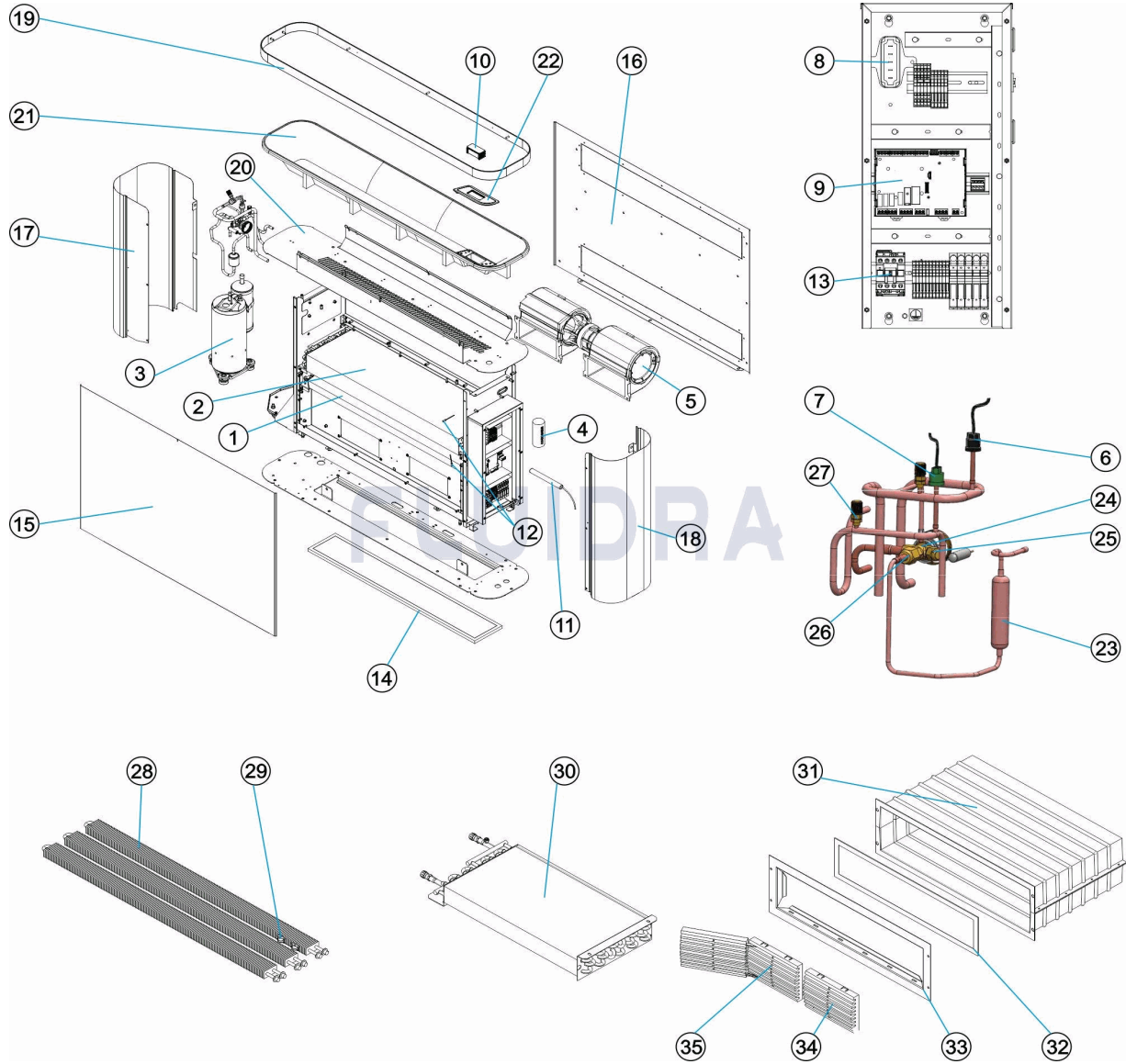
CODE **WD002088, WD002089, WD002090, WD002091, WD002215, WD002216,
WD002217, WD002218**

DESCRIPTION: **SIROCCO²**

23	* 03060005	POUR: WD002088, WD002215
23	* 03060006	POUR: WD002089, WD002216
23	* 03060007	POUR: WD002090, WD002091, WD002217, WD002218
25	* 05700123	POUR: WD002088, WD002215
25	* 05700124	POUR: WD002089, WD002216
25	* 05700125	POUR: WD002090, WD002091, WD002217, WD002218
26	* 08030006	POUR: WD002088, WD002089, WD002215, WD002216
26	* 08030007	POUR: WD002090, WD002091, WD002217, WD002218
28	* 06810017	POUR: WD002088, WD002215
28	* 06810018	POUR: WD002089, WD002216
28	* 06810019	POUR: WD002090, WD002091, WD002217, WD002218
30	* 00820146	POUR: WD002088, WD002089, WD002215, WD002216
30	* 00820149	POUR: WD002090, WD002091, WD002217, WD002218
31	* 06710057	POUR: WD002088, WD002089, WD002215, WD002216
31	* 06710056	POUR: WD002090, WD002091, WD002217, WD002218
32	* 03010145	POUR: WD002088, WD002089, WD002215, WD002216
32	* 03010146	POUR: WD002090, WD002091, WD002217, WD002218
33	* 06710041	POUR: WD002088, WD002089, WD002215, WD002216
33	* 06710042	POUR: WD002090, WD002091, WD002217, WD002218

CODE **WD002088, WD002089, WD002090, WD002091, WD002215, WD002216, WD002217, WD002218**

DESCRIPTION: **SIROCCO²**



ENGLISH

POS	CODE	DESCRIPTION	QUANTITY	POS	CODE	DESCRIPTION	QUANTITY
1	* 00820141	EVAPORATOR		8	07590031	PHASE CONTROLLER	
1	* 00820147	EVAPORATOR		9	* 02170006-2	2M MAIN BOARD	
2	* 00820142	CONDENSER		9	* 02170006-3	MAIN BOARD 3M	
2	* 00820145	CONDENSER		9	* 02170006-5	MAIN BOARD 5M / 5T	
2	* 00820148	CONDENSER		10	06070047	HMI	
3	* 01870021	COMPRESSOR		11	07220002	HYGRO SENSOR	
3	* 01870022	COMPRESSOR		12	07220003	TEMPERATURE SENSOR	
3	* 01870023	COMPRESSOR		13	* 02050273	COMPRESSOR RELAY (3 POLES 5,5KW, 14,	
3	* 01870026	COMPRESSOR		13	* 02050271	FAN CONTACTOR	
4	* 01870588	COMPRESSOR CAPACITOR (35UF)		14	* 03010005	INLET AIR FILTER	
4	* 01870589	COMPRESSOR CAPACITOR (60UF)		14	* 03010006	INLET AIR FILTER	
5	* KITSVS2001	DOUBLE CENTRIFUGAL FAN		15	* SIR2-SI10-2/3-B	FRONT PANEL	

CODE **WD002088, WD002089, WD002090, WD002091, WD002215, WD002216,
WD002217, WD002218**

DESCRIPTION: **SIROCCO²**

5	09080754	DOUBLE CENTRIFUGAL FAN	15	* SIR2-SI10-2/3-G	FRONT PANEL
6	06460016	LOW PRESSURE SWITCH	15	* SIR2-SI10-5-B	FRONT PANEL
7	06460017	HIGH PRESSURE SWITCH	15	* SIR2-SI10-5-G	FRONT PANEL
16	* SIR2-SI11-2/3-B	BACK PANEL	23	* 03060007	DRYER FILTER
16	* SIR2-SI11-2/3-G	BACK PANEL	24	08420231	THERMOSTATIC EXPANSION VALVE
16	* SIR2-SI11-5-B	BACK PANEL	25	* 05700123	ORIFICE VALVE
16	* SIR2-SI11-5-G	BACK PANEL	25	* 05700124	ORIFICE VALVE
17	* SIR2-SI9-2-B	LEFT SIDE PANEL	25	* 05700125	ORIFICE VALVE
17	* SIR2-SI9-2-G	LEFT SIDE PANEL	26	* 08030006	THERMOSTATIC VALVE ADAPTER (1/4")
17	* SIR2-SI9-3-B	LEFT SIDE PANEL	26	* 08030007	THERMOSTATIC VALVE ADAPTER (3/8")
17	* SIR2-SI9-3-G	LEFT SIDE PANEL	27	05650035	CHARGE VALVE (R410A)
17	* SIR2-SI9-5-B	LEFT SIDE PANEL	28	* 06810017	ELEC. RESISTANCE 2,5M
17	* SIR2-SI9-5-G	LEFT SIDE PANEL	28	* 06810018	ELEC. RESISTANCE 3,5M
18	* SIR2-SI14-2+5-B	RIGHT SIDE PANEL	28	* 06810019	ELEC. RESISTANCE 5M/5T
18	* SIR2-SI14-2+5-G	RIGHT SIDE PANEL	29	07710152	THERMAL SWITCHES KLIXON 75°C
19	* 01701010	RIM	29	07710153	THERMAL SWITCHES KLIXON 85°C
19	* 01701011	RIM	30	* 00820146	HOT BATTERY 2M-3M
19	* 01701060	RIM	30	* 00820149	HOT BATTERY 5M & 5T
19	* 01701061	RIM	31	* 06710057	1/2 THERMOFORMED PLASTIC SLEEVE 2M
20	* 01701014	TOP GRID	31	* 06710056	1/2 THERMOFORMED PLASTIC SLEEVE 5M
20	* 01701015	TOP GRID	32	* 03010145	FILTER 565X135X2.5
21	* 07670056	TOP THERMOFORMED TRAY	32	* 03010146	FILTER 945X135X2.5
21	* 07670057	TOP THERMOFORMED TRAY	33	* 06710041	AIR GRID FRAME 2M / 3M
22	07670058	HMI SUPPORT	33	* 06710042	AIR GRID FRAME 5M / 5T
23	* 03060005	DRYER FILTER	34	06710043	FIXED GRID
23	* 03060006	DRYER FILTER	35	06710044	FIXED + MOBILE GRID ASSEMBLY

CODE **WD002088, WD002089, WD002090, WD002091, WD002215, WD002216, WD002217, WD002218**

DESCRIPTION: **SIROCCO²**

OBSERVATIONS

POS	CODE	OBSERVATIONS
1	* 00820141	FOR: WD002088, WD002089, WD002215, WD002216
1	* 00820147	FOR: WD002090, WD002091, WD002217, WD002218
2	* 00820142	FOR: WD002088, WD002215
2	* 00820145	FOR: WD002089, WD002216
2	* 00820148	FOR: WD002090, WD002091, WD002217, WD002218
3	* 01870021	FOR: WD002088, WD002215
3	* 01870022	FOR: WD002089, WD002216
3	* 01870023	FOR: WD002090, WD002217
3	* 01870026	FOR: WD002091, WD002218
4	* 01870588	FOR: WD002088, WD002215
4	* 01870589	FOR: WD002089, WD002090, WD002216, WD002217
5	* KITSVS2001	FOR: SERIAL N° < AXED02 0302 1524 0016
9	* 02170006-2	FOR: WD002088, WD002215
9	* 02170006-3	FOR: WD002089, WD002216
9	* 02170006-5	FOR: WD002090, WD002091, WD002217, WD002218
13	* 02050273	FOR: WD002089, WD002090, WD002216, WD002217
13	* 02050271	FOR: WD002091, WD002218
14	* 03010005	FOR: WD002088, WD002089, WD002215, WD002216
14	* 03010006	FOR: WD002090, WD002091, WD002217, WD002218
15	* SIR2-SI10-2/3-B	FOR: WD002088, WD002089 WHITE
15	* SIR2-SI10-2/3-G	FOR: WD002215, WD002216 GREY
15	* SIR2-SI10-5-B	FOR: WD002090, WD002091 WHITE
15	* SIR2-SI10-5-G	FOR: WD002217, WD002218 GREY
16	* SIR2-SI11-2/3-B	FOR: WD002088, WD002089 WHITE
16	* SIR2-SI11-2/3-G	FOR: WD002215, WD002216 GREY
16	* SIR2-SI11-5-B	FOR: WD002090, WD002091 WHITE
16	* SIR2-SI11-5-G	FOR: WD002217, WD002218 GREY
17	* SIR2-SI9-2-B	FOR: WD002088 WHITE
17	* SIR2-SI9-2-G	FOR: WD002215 GREY
17	* SIR2-SI9-3-B	FOR: WD002089 WHITE
17	* SIR2-SI9-3-G	FOR: WD002216 GREY
17	* SIR2-SI9-5-B	FOR: WD002090, WD002091 WHITE
17	* SIR2-SI9-5-G	FOR: WD002217, WD002218 GREY
18	* SIR2-SI14-2+5-B	FOR: WD002088, WD002089, WD002090, WD002091 WHITE
18	* SIR2-SI14-2+5-G	FOR: WD002215, WD002216, WD002217, WD002218 GREY
19	* 01701010	FOR: WD002088, WD002089
19	* 01701011	FOR: WD002090, WD002091
19	* 01701060	FOR: WD002215, WD002216
19	* 01701061	FOR: WD002217, WD002218
20	* 01701014	FOR: WD002088, WD002089, WD002215, WD002216
20	* 01701015	FOR: WD002090, WD002091, WD002217, WD002218
21	* 07670056	FOR: WD002088, WD002089, WD002215, WD002216
21	* 07670057	FOR: WD002090, WD002091, WD002217, WD002218

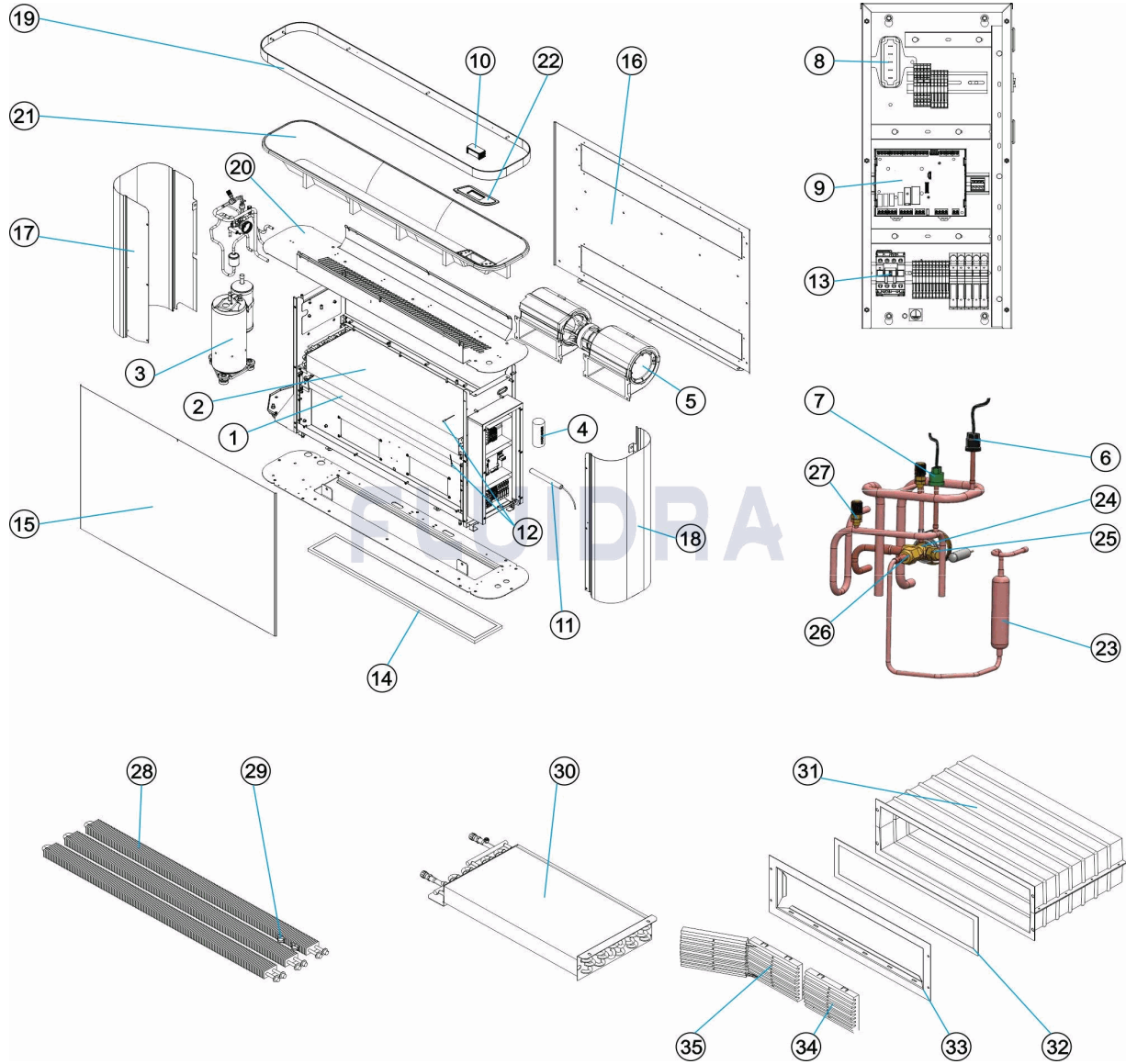
CODE **WD002088, WD002089, WD002090, WD002091, WD002215, WD002216,
WD002217, WD002218**

DESCRIPTION: **SIROCCO²**

23	* 03060005	FOR: WD002088, WD002215
23	* 03060006	FOR: WD002089, WD002216
23	* 03060007	FOR: WD002090, WD002091, WD002217, WD002218
25	* 05700123	FOR: WD002088, WD002215
25	* 05700124	FOR: WD002089, WD002216
25	* 05700125	FOR: WD002090, WD002091, WD002217, WD002218
26	* 08030006	FOR: WD002088, WD002089, WD002215, WD002216
26	* 08030007	FOR: WD002090, WD002091, WD002217, WD002218
28	* 06810017	FOR: WD002088, WD002215
28	* 06810018	FOR: WD002089, WD002216
28	* 06810019	FOR: WD002090, WD002091, WD002217, WD002218
30	* 00820146	FOR: WD002088, WD002089, WD002215, WD002216
30	* 00820149	FOR: WD002090, WD002091, WD002217, WD002218
31	* 06710057	FOR: WD002088, WD002089, WD002215, WD002216
31	* 06710056	FOR: WD002090, WD002091, WD002217, WD002218
32	* 03010145	FOR: WD002088, WD002089, WD002215, WD002216
32	* 03010146	FOR: WD002090, WD002091, WD002217, WD002218
33	* 06710041	FOR: WD002088, WD002089, WD002215, WD002216
33	* 06710042	FOR: WD002090, WD002091, WD002217, WD002218

CODICE **WD002088, WD002089, WD002090, WD002091, WD002215, WD002216, WD002217, WD002218**

DESCRIZIONE: **SIROCCO²**



ITALIANO

POS	CODICE	DESCRIZIONE	QUANTITA'	POS	CODICE	DESCRIZIONE	QUANTITA'
1	* 00820141	EVAPORATORE		8	07590031	CONTROLLORE DI FASE	
1	* 00820147	EVAPORATORE		9	* 02170006-2	SCHEDA MADRE 2M	
2	* 00820142	CONDENSATORE		9	* 02170006-3	SCHEDA MADRE 3M	
2	* 00820145	CONDENSATORE		9	* 02170006-5	SCHEDA MADRE 5M / 5T	
2	* 00820148	CONDENSATORE		10	06070047	HMI	
3	* 01870021	COMPRESSORE		11	07220002	SENSORE DI UMIDITA'	
3	* 01870022	COMPRESSORE		12	07220003	SENSORE DI TEMPERATURA	
3	* 01870023	COMPRESSORE		13	* 02050273	RELE' COMPRESSORE ((14A, 230V, 5,5KW,))	
3	* 01870026	COMPRESSORE		13	* 02050271	CONTATTORE VENTOLA	
4	* 01870588	CONDENSATORE COMPRESSORE (35UF)		14	* 03010005	FILTRO ARIA	
4	* 01870589	CONDENSATORE COMPRESSORE (60UF)		14	* 03010006	FILTRO ARIA	
5	* KITSVS2001	VENTOLA CENTRIFUGA DOPPIA		15	* SIR2-SI10-2/3-B	PANNELLO FRONTALE	

*** SI FACCIA RIFERIMENTO AL FOGLIO DELLE OSSERVAZIONI**

CODICE **WD002088, WD002089, WD002090, WD002091, WD002215, WD002216, WD002217, WD002218**

DESCRIZIONE: **SIROCCO²**

5	09080754	VENTOLA CENTRIFUGA DOPPIA	15	* SIR2-SI10-2/3-G	PANNELLO FRONTALE
6	06460016	INTERRUTTORE BASSA PRESSIONE	15	* SIR2-SI10-5-B	PANNELLO FRONTALE
7	06460017	INTERRUTTORE ALTA PRESSIONE	15	* SIR2-SI10-5-G	PANNELLO FRONTALE
16	* SIR2-SI11-2/3-B	PANNELLO INDIETRO	23	* 03060007	FILTRO D'ESSICCAMENTO
16	* SIR2-SI11-2/3-G	PANNELLO INDIETRO	24	08420231	VALVOLA AD ESPANSIONE TERMOSTATICA
16	* SIR2-SI11-5-B	PANNELLO INDIETRO	25	* 05700123	VALVOLA ORIFIZIO
16	* SIR2-SI11-5-G	PANNELLO INDIETRO	25	* 05700124	VALVOLA ORIFIZIO
17	* SIR2-SI9-2-B	PANNELLO SINISTRO	25	* 05700125	VALVOLA ORIFIZIO
17	* SIR2-SI9-2-G	PANNELLO SINISTRO	26	* 08030006	ADATTATORE PER VALVOLA AD ESPANSIOI
17	* SIR2-SI9-3-B	PANNELLO SINISTRO	26	* 08030007	ADATTATORE PER VALVOLA AD ESPANSIOI
17	* SIR2-SI9-3-G	PANNELLO SINISTRO	27	05650035	VALVOLA DI CARICO (R410A)
17	* SIR2-SI9-5-B	PANNELLO SINISTRO	28	* 06810017	RESISTENZA ELETTRICA 2,5M
17	* SIR2-SI9-5-G	PANNELLO SINISTRO	28	* 06810018	RESISTENZA ELETTRICA 3,5M
18	* SIR2-SI14-2+5-B	PANNELLO DESTRO	28	* 06810019	RESISTENZA ELETTRICA 5M/5T
18	* SIR2-SI14-2+5-G	PANNELLO DESTRO	29	07710152	INTERRUTTORE TERMICO 75°C
19	* 01701010	ANELLO	29	07710153	INTERRUTTORE TERMICO 85°C
19	* 01701011	ANELLO	30	* 00820146	BATTERIA ACQUA CALDA 2M-3M
19	* 01701060	ANELLO	30	* 00820149	BATTERIA ACQUA CALDA 5M-5T
19	* 01701061	ANELLO	31	* 06710057	MEZZO MANICOTTO TERMOCONFORMATC
20	* 01701014	GRATA SUPERIORE	31	* 06710056	MEZZO MANICOTTO TERMOCONFORMATC
20	* 01701015	GRATA SUPERIORE	32	* 03010145	FILTRO 565X135X2.5
21	* 07670056	PANNELLO SUPERIORE TERMOFORMATO	32	* 03010146	FILTRO 945X135X2.5
21	* 07670057	PANNELLO SUPERIORE TERMOFORMATO	33	* 06710041	CORNICE GRIGLIA DI AERAZIONE 2M / 3M
22	07670058	SUPPORTO HMI	33	* 06710042	CORNICE GRIGLIA DI AERAZIONE 5M / 5T
23	* 03060005	FILTRO D'ESSICCAMENTO	34	06710043	LAME FISSE
23	* 03060006	FILTRO D'ESSICCAMENTO	35	06710044	ASSEMBLAGGIO LAMA FISSA + LAMA MOBI

CODICE **WD002088, WD002089, WD002090, WD002091, WD002215, WD002216, WD002217, WD002218**

DESCRIZIONE: **SIROCCO²**

OSSERVAZIONI

POS	CODICE	OSSERVAZIONI
1	* 00820141	PER: WD002088, WD002089, WD002215, WD002216
1	* 00820147	PER: WD002090, WD002091, WD002217, WD002218
2	* 00820142	PER: WD002088, WD002215
2	* 00820145	PER: WD002089, WD002216
2	* 00820148	PER: WD002090, WD002091, WD002217, WD002218
3	* 01870021	PER: WD002088, WD002215
3	* 01870022	PER: WD002089, WD002216
3	* 01870023	PER: WD002090, WD002217
3	* 01870026	PER: WD002091, WD002218
4	* 01870588	PER: WD002088, WD002215
4	* 01870589	PER: WD002089, WD002090, WD002216, WD002217
5	* KITSVS2001	PER: SERIAL N°< AXED02 0302 1524 0016
9	* 02170006-2	PER: WD002088, WD002215
9	* 02170006-3	PER: WD002089, WD002216
9	* 02170006-5	PER: WD002090, WD002091, WD002217, WD002218
13	* 02050273	PER: WD002089, WD002090, WD002216, WD002217
13	* 02050271	PER: WD002091, WD002218
14	* 03010005	PER: WD002088, WD002089, WD002215, WD002216
14	* 03010006	PER: WD002090, WD002091, WD002217, WD002218
15	* SIR2-SI10-2/3-B	PER: WD002088, WD002089 WHITE
15	* SIR2-SI10-2/3-G	PER: WD002215, WD002216 GREY
15	* SIR2-SI10-5-B	PER: WD002090, WD002091 WHITE
15	* SIR2-SI10-5-G	PER: WD002217, WD002218 GREY
16	* SIR2-SI11-2/3-B	PER: WD002088, WD002089 WHITE
16	* SIR2-SI11-2/3-G	PER: WD002215, WD002216 GREY
16	* SIR2-SI11-5-B	PER: WD002090, WD002091 WHITE
16	* SIR2-SI11-5-G	PER: WD002217, WD002218 GREY
17	* SIR2-SI9-2-B	PER: WD002088 WHITE
17	* SIR2-SI9-2-G	PER: WD002215 GREY
17	* SIR2-SI9-3-B	PER: WD002089 WHITE
17	* SIR2-SI9-3-G	PER: WD002216 GREY
17	* SIR2-SI9-5-B	PER: WD002090, WD002091 WHITE
17	* SIR2-SI9-5-G	PER: WD002217, WD002218 GREY
18	* SIR2-SI14-2+5-B	PER: WD002088, WD002089, WD002090, WD002091 WHITE
18	* SIR2-SI14-2+5-G	PER: WD002215, WD002216, WD002217, WD002218 GREY
19	* 01701010	PER: WD002088, WD002089
19	* 01701011	PER: WD002090, WD002091
19	* 01701060	PER: WD002215, WD002216
19	* 01701061	PER: WD002217, WD002218
20	* 01701014	PER: WD002088, WD002089, WD002215, WD002216
20	* 01701015	PER: WD002090, WD002091, WD002217, WD002218
21	* 07670056	PER: WD002088, WD002089, WD002215, WD002216
21	* 07670057	PER: WD002090, WD002091, WD002217, WD002218

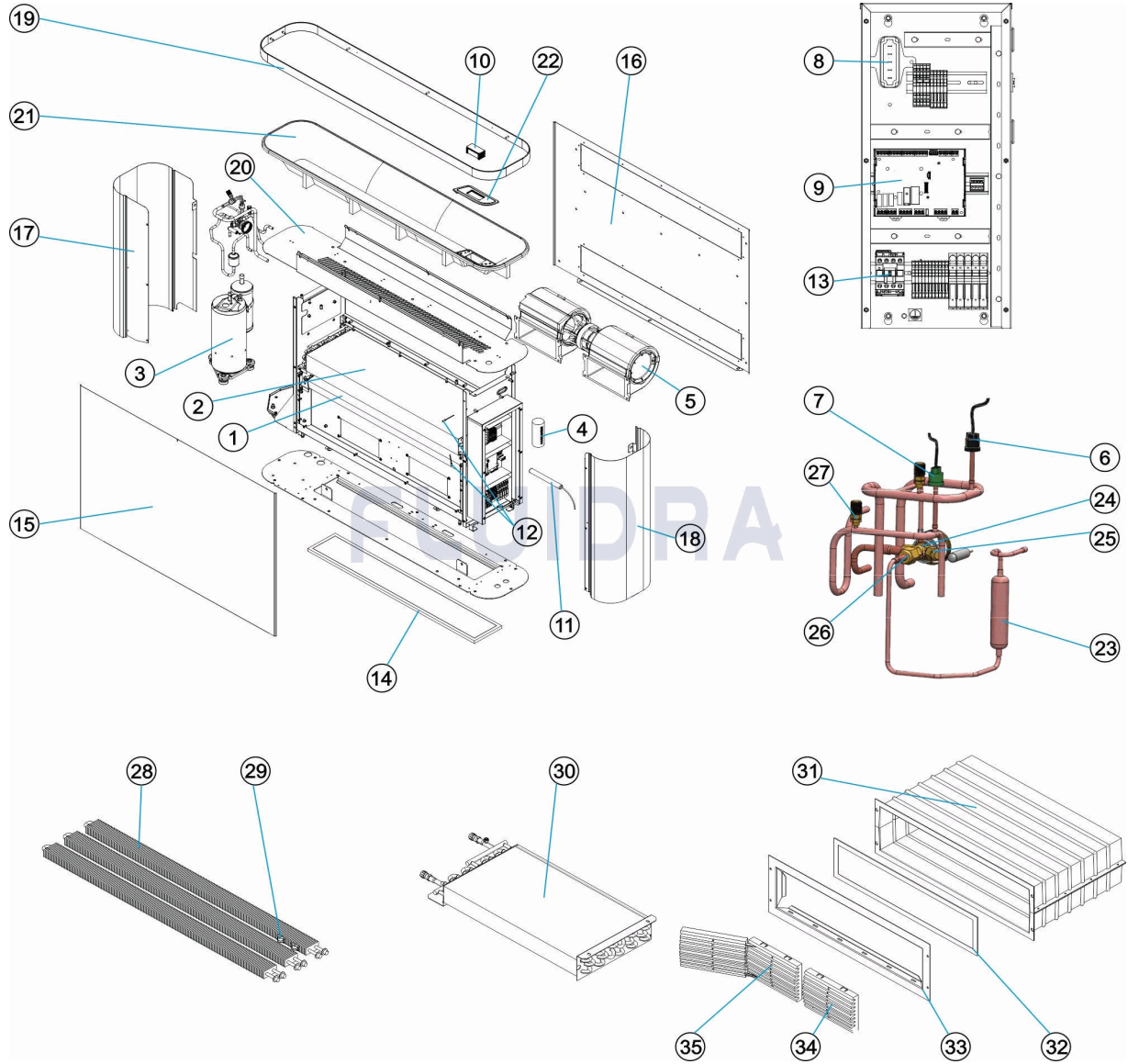
CODICE **WD002088, WD002089, WD002090, WD002091, WD002215, WD002216,
WD002217, WD002218**

DESCRIZIONE: SIROCCO²

23	* 03060005	PER: WD002088, WD002215
23	* 03060006	PER: WD002089, WD002216
23	* 03060007	PER: WD002090, WD002091, WD002217, WD002218
25	* 05700123	PER: WD002088, WD002215
25	* 05700124	PER: WD002089, WD002216
25	* 05700125	PER: WD002090, WD002091, WD002217, WD002218
26	* 08030006	PER: WD002088, WD002089, WD002215, WD002216
26	* 08030007	PER: WD002090, WD002091, WD002217, WD002218
28	* 06810017	PER: WD002088, WD002215
28	* 06810018	PER: WD002089, WD002216
28	* 06810019	PER: WD002090, WD002091, WD002217, WD002218
30	* 00820146	PER: WD002088, WD002089, WD002215, WD002216
30	* 00820149	PER: WD002090, WD002091, WD002217, WD002218
31	* 06710057	PER: WD002088, WD002089, WD002215, WD002216
31	* 06710056	PER: WD002090, WD002091, WD002217, WD002218
32	* 03010145	PER: WD002088, WD002089, WD002215, WD002216
32	* 03010146	PER: WD002090, WD002091, WD002217, WD002218
33	* 06710041	PER: WD002088, WD002089, WD002215, WD002216
33	* 06710042	PER: WD002090, WD002091, WD002217, WD002218

CODE **WD002088, WD002089, WD002090, WD002091, WD002215, WD002216, WD002217, WD002218**

BESCHREIBUNG: **SIROCCO²**



DEUTSCH

POS	CODE	BESCHREIBUNG	MENGE	POS	CODE	BESCHREIBUNG	MENGE
1	* 00820141	VERDAMPFER		8	07590031	PHASENSTEUERUNG	
1	* 00820147	VERDAMPFER		9	* 02170006-2	GRUNDPLATTE 2M	
2	* 00820142	KONDENSATOR		9	* 02170006-3	GRUNDPLATTE 3M	
2	* 00820145	KONDENSATOR		9	* 02170006-5	GRUNDPLATTE 5M / 5T	
2	* 00820148	KONDENSATOR		10	06070047	IHM	
3	* 01870021	KOMPRESSOR		11	07220002	FEUCHTIGKEITSSENSOR	
3	* 01870022	KOMPRESSOR		12	07220003	TEMPERATURSENSOR	
3	* 01870023	KOMPRESSOR		13	* 02050273	KOMPRESSORRELAIS (14A, 230V, 5,5KW,A)	
3	* 01870026	KOMPRESSOR		13	* 02050271	SCHALTSCHÜTZ LÜFTER	
4	* 01870588	KONDENSATOR KOMPRESSOR (35UF)		14	* 03010005	LUFTFILTER	
4	* 01870589	KONDENSATOR KOMPRESSOR (60UF)		14	* 03010006	LUFTFILTER	
5	* KITSVS2001	DOPPEL-RADIALVENTILATOR		15	* SIR2-SI10-2/3-B	FRONTPLATTE	

CODE **WD002088, WD002089, WD002090, WD002091, WD002215, WD002216,
WD002217, WD002218**

BESCHREIBUNG: **SIROCCO²**

5	09080754	DOPPEL-RADIALVENTILATOR	15	* SIR2-SI10-2/3-G	FRONTPLATTE
6	06460016	NIEDERDRUCKSCHALTER	15	* SIR2-SI10-5-B	FRONTPLATTE
7	06460017	HOCHDRUCKSCHALTER	15	* SIR2-SI10-5-G	FRONTPLATTE
16	* SIR2-SI11-2/3-B	FÜHRERHAUSRÜCKWAND	23	* 03060007	TROCKNUNGSFILTER
16	* SIR2-SI11-2/3-G	FÜHRERHAUSRÜCKWAND	24	08420231	THERMOSTATISCHER EXPANSIONSFILTER
16	* SIR2-SI11-5-B	FÜHRERHAUSRÜCKWAND	25	* 05700123	BLENDEVENTIL
16	* SIR2-SI11-5-G	FÜHRERHAUSRÜCKWAND	25	* 05700124	BLENDEVENTIL
17	* SIR2-SI9-2-B	LINKENPLATTE	25	* 05700125	BLENDEVENTIL
17	* SIR2-SI9-2-G	LINKENPLATTE	26	* 08030006	ADAPTER FÜR EXPANSIONSVENTIL (1/4")
17	* SIR2-SI9-3-B	LINKENPLATTE	26	* 08030007	ADAPTER FÜR EXPANSIONSVENTIL (3/8")
17	* SIR2-SI9-3-G	LINKENPLATTE	27	05650035	LADEVENTIL (R410A)
17	* SIR2-SI9-5-B	LINKENPLATTE	28	* 06810017	ELEKTRISCHER WIDERSTAND 2,5M
17	* SIR2-SI9-5-G	LINKENPLATTE	28	* 06810018	ELEKTRISCHER WIDERSTAND 3,5M
18	* SIR2-SI14-2+5-B	RECHTENPLATTE	28	* 06810019	ELEKTRISCHER WIDERSTAND 5M/5T
18	* SIR2-SI14-2+5-G	RECHTENPLATTE	29	07710152	WÄRMESCHUTZSCHALTER 75°C
19	* 01701010	RING	29	07710153	WÄRMESCHUTZSCHALTER 85°C
19	* 01701011	RING	30	* 00820146	BATTERIE HEISSWASSER 2M-3M
19	* 01701060	RING	30	* 00820149	BATTERIE HEISSWASSER 5M-5T
19	* 01701061	RING	31	* 06710057	½ THERMOGEFORMTE HÜLSE 2M / 3M
20	* 01701014	OBERES GITTER	31	* 06710056	½ THERMOGEFORMTE HÜLSE 5M / 5T
20	* 01701015	OBERES GITTER	32	* 03010145	FILTER 565X135X2.5
21	* 07670056	OBERE PLATTE THERMOGEFORMT	32	* 03010146	FILTER 945X135X2.5
21	* 07670057	OBERE PLATTE THERMOGEFORMT	33	* 06710041	RAHMEN LUFTGITTER 2M / 3M
22	07670058	IHM STÜTZE	33	* 06710042	RAHMEN LUFTGITTER 5M / 5T
23	* 03060005	TROCKNUNGSFILTER	34	06710043	FESTE LAMELLEN
23	* 03060006	TROCKNUNGSFILTER	35	06710044	ZUSAMMENBAU FESTE + BEWEGLICHE LA

CODE **WD002088, WD002089, WD002090, WD002091, WD002215, WD002216,
WD002217, WD002218**

BESCHREIBUNG: **SIROCCO²**

HINWEISE

POS	CODE	HINWEISE
1	* 00820141	FÜR: WD002088, WD002089, WD002215, WD002216
1	* 00820147	FÜR: WD002090, WD002091, WD002217, WD002218
2	* 00820142	FÜR: WD002088, WD002215
2	* 00820145	FÜR: WD002089, WD002216
2	* 00820148	FÜR: WD002090, WD002091, WD002217, WD002218
3	* 01870021	FÜR: WD002088, WD002215
3	* 01870022	FÜR: WD002089, WD002216
3	* 01870023	FÜR: WD002090, WD002217
3	* 01870026	FÜR: WD002091, WD002218
4	* 01870588	FÜR: WD002088, WD002215
4	* 01870589	FÜR: WD002089, WD002090, WD002216, WD002217
5	* KITSVS2001	FÜR: SERIAL N° < AXED02 0302 1524 0016
9	* 02170006-2	FÜR: WD002088, WD002215
9	* 02170006-3	FÜR: WD002089, WD002216
9	* 02170006-5	FÜR: WD002090, WD002091, WD002217, WD002218
13	* 02050273	FÜR: WD002089, WD002090, WD002216, WD002217
13	* 02050271	FÜR: WD002091, WD002218
14	* 03010005	FÜR: WD002088, WD002089, WD002215, WD002216
14	* 03010006	FÜR: WD002090, WD002091, WD002217, WD002218
15	* SIR2-SI10-2/3-B	FÜR: WD002088, WD002089 WHITE
15	* SIR2-SI10-2/3-G	FÜR: WD002215, WD002216 GREY
15	* SIR2-SI10-5-B	FÜR: WD002090, WD002091 WHITE
15	* SIR2-SI10-5-G	FÜR: WD002217, WD002218 GREY
16	* SIR2-SI11-2/3-B	FÜR: WD002088, WD002089 WHITE
16	* SIR2-SI11-2/3-G	FÜR: WD002215, WD002216 GREY
16	* SIR2-SI11-5-B	FÜR: WD002090, WD002091 WHITE
16	* SIR2-SI11-5-G	FÜR: WD002217, WD002218 GREY
17	* SIR2-SI9-2-B	FÜR: WD002088 WHITE
17	* SIR2-SI9-2-G	FÜR: WD002215 GREY
17	* SIR2-SI9-3-B	FÜR: WD002089 WHITE
17	* SIR2-SI9-3-G	FÜR: WD002216 GREY
17	* SIR2-SI9-5-B	FÜR: WD002090, WD002091 WHITE
17	* SIR2-SI9-5-G	FÜR: WD002217, WD002218 GREY
18	* SIR2-SI14-2+5-B	FÜR: WD002088, WD002089, WD002090, WD002091 WHITE
18	* SIR2-SI14-2+5-G	FÜR: WD002215, WD002216, WD002217, WD002218 GREY
19	* 01701010	FÜR: WD002088, WD002089
19	* 01701011	FÜR: WD002090, WD002091
19	* 01701060	FÜR: WD002215, WD002216
19	* 01701061	FÜR: WD002217, WD002218
20	* 01701014	FÜR: WD002088, WD002089, WD002215, WD002216
20	* 01701015	FÜR: WD002090, WD002091, WD002217, WD002218
21	* 07670056	FÜR: WD002088, WD002089, WD002215, WD002216
21	* 07670057	FÜR: WD002090, WD002091, WD002217, WD002218

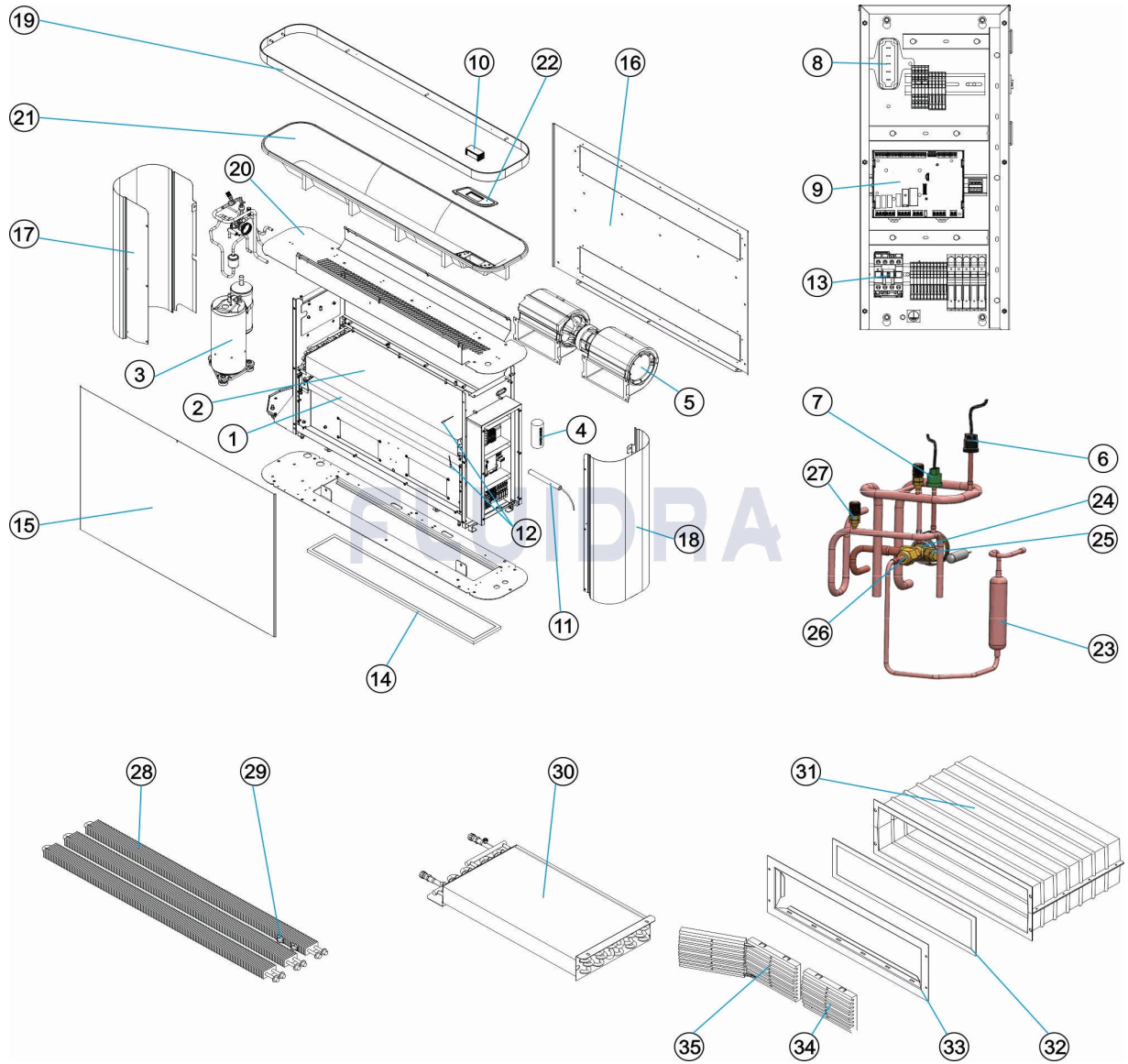
CODE **WD002088, WD002089, WD002090, WD002091, WD002215, WD002216,
WD002217, WD002218**

BESCHREIBUNG: **SIROCCO²**

23	* 03060005	FÜR: WD002088, WD002215
23	* 03060006	FÜR: WD002089, WD002216
23	* 03060007	FÜR: WD002090, WD002091, WD002217, WD002218
25	* 05700123	FÜR: WD002088, WD002215
25	* 05700124	FÜR: WD002089, WD002216
25	* 05700125	FÜR: WD002090, WD002091, WD002217, WD002218
26	* 08030006	FÜR: WD002088, WD002089, WD002215, WD002216
26	* 08030007	FÜR: WD002090, WD002091, WD002217, WD002218
28	* 06810017	FÜR: WD002088, WD002215
28	* 06810018	FÜR: WD002089, WD002216
28	* 06810019	FÜR: WD002090, WD002091, WD002217, WD002218
30	* 00820146	FÜR: WD002088, WD002089, WD002215, WD002216
30	* 00820149	FÜR: WD002090, WD002091, WD002217, WD002218
31	* 06710057	FÜR: WD002088, WD002089, WD002215, WD002216
31	* 06710056	FÜR: WD002090, WD002091, WD002217, WD002218
32	* 03010145	FÜR: WD002088, WD002089, WD002215, WD002216
32	* 03010146	FÜR: WD002090, WD002091, WD002217, WD002218
33	* 06710041	FÜR: WD002088, WD002089, WD002215, WD002216
33	* 06710042	FÜR: WD002090, WD002091, WD002217, WD002218

CODIGO **WD002088, WD002089, WD002090, WD002091, WD002215, WD002216, WD002217, WD002218**

DESCRIÇÃO: **SIROCCO²**



PORTUGUES

POS	CODIGO	DESCRIÇÃO	JANTIDADE	POS	CODIGO	DESCRIÇÃO	JANTIDADE
1	* 00820141	EVAPORADOR		8	07590031	CONTROLADOR DE FASES	
1	* 00820147	EVAPORADOR		9	* 02170006-2	PLACA BASE 2M	
2	* 00820142	CONDENSADOR		9	* 02170006-3	PLACA BASE 3M	
2	* 00820145	CONDENSADOR		9	* 02170006-5	PLACA BASE 5M / 5T	
2	* 00820148	CONDENSADOR		10	06070047	IHM	
3	* 01870021	COMPRESSOR		11	07220002	SENSOR DE HUMIDADE	
3	* 01870022	COMPRESSOR		12	07220003	SENSOR DE TEMPERATURA	
3	* 01870023	COMPRESSOR		13	* 02050273	RELÉ DO COMPRESSOR (14A, 230V, 5,5KV	
3	* 01870026	COMPRESSOR		13	* 02050271	CONTACTOR VENTILADOR	
4	* 01870588	CONDENSADOR COMPRESSOR (35UF)		14	* 03010005	FILTRO DE AR	
4	* 01870589	CONDENSADOR COMPRESSOR (60UF)		14	* 03010006	FILTRO DE AR	
5	* KITSVS2001	VENTILADOR CENTRÍFUGO DUPLA		15	* SIR2-SI10-2/3-B	PAINEL FRONTAL	

*** VEJA A FICHA DE OBSERVAÇÕES**

CODIGO **WD002088, WD002089, WD002090, WD002091, WD002215, WD002216, WD002217, WD002218**

DESCRIÇÃO: SIROCCO²

5	09080754	VENTILADOR CENTRÍFUGO DUPLO	15	* SIR2-SI10-2/3-G	PAINEL FRONTAL
6	06460016	INTERRUPTOR DE BAIXA PRESSÃO	15	* SIR2-SI10-5-B	PAINEL FRONTAL
7	06460017	INTERRUPTOR DE ALTA PRESSÃO	15	* SIR2-SI10-5-G	PAINEL FRONTAL
16	* SIR2-SI11-2/3-B	PAINEL TRASEIRO	23	* 03060007	FILTRO DE SECAGEM
16	* SIR2-SI11-2/3-G	PAINEL TRASEIRO	24	08420231	VÁLVULA DE EXPANSÃO TERMOSTÁTICA
16	* SIR2-SI11-5-B	PAINEL TRASEIRO	25	* 05700123	VÁLVULA DE VOLANTE
16	* SIR2-SI11-5-G	PAINEL TRASEIRO	25	* 05700124	VÁLVULA DE VOLANTE
17	* SIR2-SI9-2-B	PAINEL ESQUERDO	25	* 05700125	VÁLVULA DE VOLANTE
17	* SIR2-SI9-2-G	PAINEL ESQUERDO	26	* 08030006	ADAPTADOR PARA VÁLVULA DE EXPANSÃO
17	* SIR2-SI9-3-B	PAINEL ESQUERDO	26	* 08030007	ADAPTADOR PARA VÁLVULA DE EXPANSÃO
17	* SIR2-SI9-3-G	PAINEL ESQUERDO	27	05650035	VÁLVULA DE CARGA (R410A)
17	* SIR2-SI9-5-B	PAINEL ESQUERDO	28	* 06810017	RESISTÊNCIA ELÉTRICA 2,5M
17	* SIR2-SI9-5-G	PAINEL ESQUERDO	28	* 06810018	RESISTÊNCIA ELÉTRICA 3,5M
18	* SIR2-SI14-2+5-B	PAINEL DIREITO	28	* 06810019	RESISTÊNCIA ELÉTRICA 5M/5T
18	* SIR2-SI14-2+5-G	PAINEL DIREITO	29	07710152	DISJUNTOR TÉRMICO 75°C
19	* 01701010	ARO	29	07710153	DISJUNTOR TÉRMICO 85°C
19	* 01701011	ARO	30	* 00820146	BATERIA DE AQUECIMENTO DE ÁGUA 2M /
19	* 01701060	ARO	30	* 00820149	BATERIA DE AQUECIMENTO DE ÁGUA 5M /
19	* 01701061	ARO	31	* 06710057	1/2 MANGA PLÁSTICA TERMOFORMADA 2M
20	* 01701014	GRELHA SUPERIOR	31	* 06710056	1/2 MANGA PLÁSTICA TERMOFORMADA 5M
20	* 01701015	GRELHA SUPERIOR	32	* 03010145	FILTRO 565X135X2.5
21	* 07670056	PAINEL SUPERIOR TERMOFORMADO	32	* 03010146	FILTRO 945X135X2.5
21	* 07670057	PAINEL SUPERIOR TERMOFORMADO	33	* 06710041	ARMAÇÃO DA GRELHA DE AR 2M / 3M
22	07670058	SUPORTE HMI	33	* 06710042	ARMAÇÃO DA GRELHA DE AR 5M / 5T
23	* 03060005	FILTRO DE SECAGEM	34	06710043	GRELHA FIXA
23	* 03060006	FILTRO DE SECAGEM	35	06710044	CONJUNTO DE GRELHA FIXA + MÓVEL

CODIGO **WD002088, WD002089, WD002090, WD002091, WD002215, WD002216,
WD002217, WD002218****DESCRIÇÃO: SIROCCO²****OBSERVAÇÕES**

POS	CODIGO	OBSERVAÇÕES
1	* 00820141	PARA: WD002088, WD002089, WD002215, WD002216
1	* 00820147	PARA: WD002090, WD002091, WD002217, WD002218
2	* 00820142	PARA: WD002088, WD002215
2	* 00820145	PARA: WD002089, WD002216
2	* 00820148	PARA: WD002090, WD002091, WD002217, WD002218
3	* 01870021	PARA: WD002088, WD002215
3	* 01870022	PARA: WD002089, WD002216
3	* 01870023	PARA: WD002090, WD002217
3	* 01870026	PARA: WD002091, WD002218
4	* 01870588	PARA: WD002088, WD002215
4	* 01870589	PARA: WD002089, WD002090, WD002216, WD002217
5	* KITSVS2001	PARA: SERIAL N°< AXED02 0302 1524 0016
9	* 02170006-2	PARA: WD002088, WD002215
9	* 02170006-3	PARA: WD002089, WD002216
9	* 02170006-5	PARA: WD002090, WD002091, WD002217, WD002218
13	* 02050273	PARA: WD002089, WD002090, WD002216, WD002217
13	* 02050271	PARA: WD002091, WD002218
14	* 03010005	PARA: WD002088, WD002089, WD002215, WD002216
14	* 03010006	PARA: WD002090, WD002091, WD002217, WD002218
15	* SIR2-SI10-2/3-B	PARA: WD002088, WD002089 WHITE
15	* SIR2-SI10-2/3-G	PARA: WD002215, WD002216 GREY
15	* SIR2-SI10-5-B	PARA: WD002090, WD002091 WHITE
15	* SIR2-SI10-5-G	PARA: WD002217, WD002218 GREY
16	* SIR2-SI11-2/3-B	PARA: WD002088, WD002089 WHITE
16	* SIR2-SI11-2/3-G	PARA: WD002215, WD002216 GREY
16	* SIR2-SI11-5-B	PARA: WD002090, WD002091 WHITE
16	* SIR2-SI11-5-G	PARA: WD002217, WD002218 GREY
17	* SIR2-SI9-2-B	PARA: WD002088 WHITE
17	* SIR2-SI9-2-G	PARA: WD002215 GREY
17	* SIR2-SI9-3-B	PARA: WD002089 WHITE
17	* SIR2-SI9-3-G	PARA: WD002216 GREY
17	* SIR2-SI9-5-B	PARA: WD002090, WD002091 WHITE
17	* SIR2-SI9-5-G	PARA: WD002217, WD002218 GREY
18	* SIR2-SI14-2+5-B	PARA: WD002088, WD002089, WD002090, WD002091 WHITE
18	* SIR2-SI14-2+5-G	PARA: WD002215, WD002216, WD002217, WD002218 GREY
19	* 01701010	PARA: WD002088, WD002089
19	* 01701011	PARA: WD002090, WD002091
19	* 01701060	PARA: WD002215, WD002216
19	* 01701061	PARA: WD002217, WD002218
20	* 01701014	PARA: WD002088, WD002089, WD002215, WD002216
20	* 01701015	PARA: WD002090, WD002091, WD002217, WD002218
21	* 07670056	PARA: WD002088, WD002089, WD002215, WD002216
21	* 07670057	PARA: WD002090, WD002091, WD002217, WD002218

CODIGO **WD002088, WD002089, WD002090, WD002091, WD002215, WD002216,
WD002217, WD002218**

DESCRIÇÃO: SIROCCO²

23	* 03060005	PARA: WD002088, WD002215
23	* 03060006	PARA: WD002089, WD002216
23	* 03060007	PARA: WD002090, WD002091, WD002217, WD002218
25	* 05700123	PARA: WD002088, WD002215
25	* 05700124	PARA: WD002089, WD002216
25	* 05700125	PARA: WD002090, WD002091, WD002217, WD002218
26	* 08030006	PARA: WD002088, WD002089, WD002215, WD002216
26	* 08030007	PARA: WD002090, WD002091, WD002217, WD002218
28	* 06810017	PARA: WD002088, WD002215
28	* 06810018	PARA: WD002089, WD002216
28	* 06810019	PARA: WD002090, WD002091, WD002217, WD002218
30	* 00820146	PARA: WD002088, WD002089, WD002215, WD002216
30	* 00820149	PARA: WD002090, WD002091, WD002217, WD002218
31	* 06710057	PARA: WD002088, WD002089, WD002215, WD002216
31	* 06710056	PARA: WD002090, WD002091, WD002217, WD002218
32	* 03010145	PARA: WD002088, WD002089, WD002215, WD002216
32	* 03010146	PARA: WD002090, WD002091, WD002217, WD002218
33	* 06710041	PARA: WD002088, WD002089, WD002215, WD002216
33	* 06710042	PARA: WD002090, WD002091, WD002217, WD002218