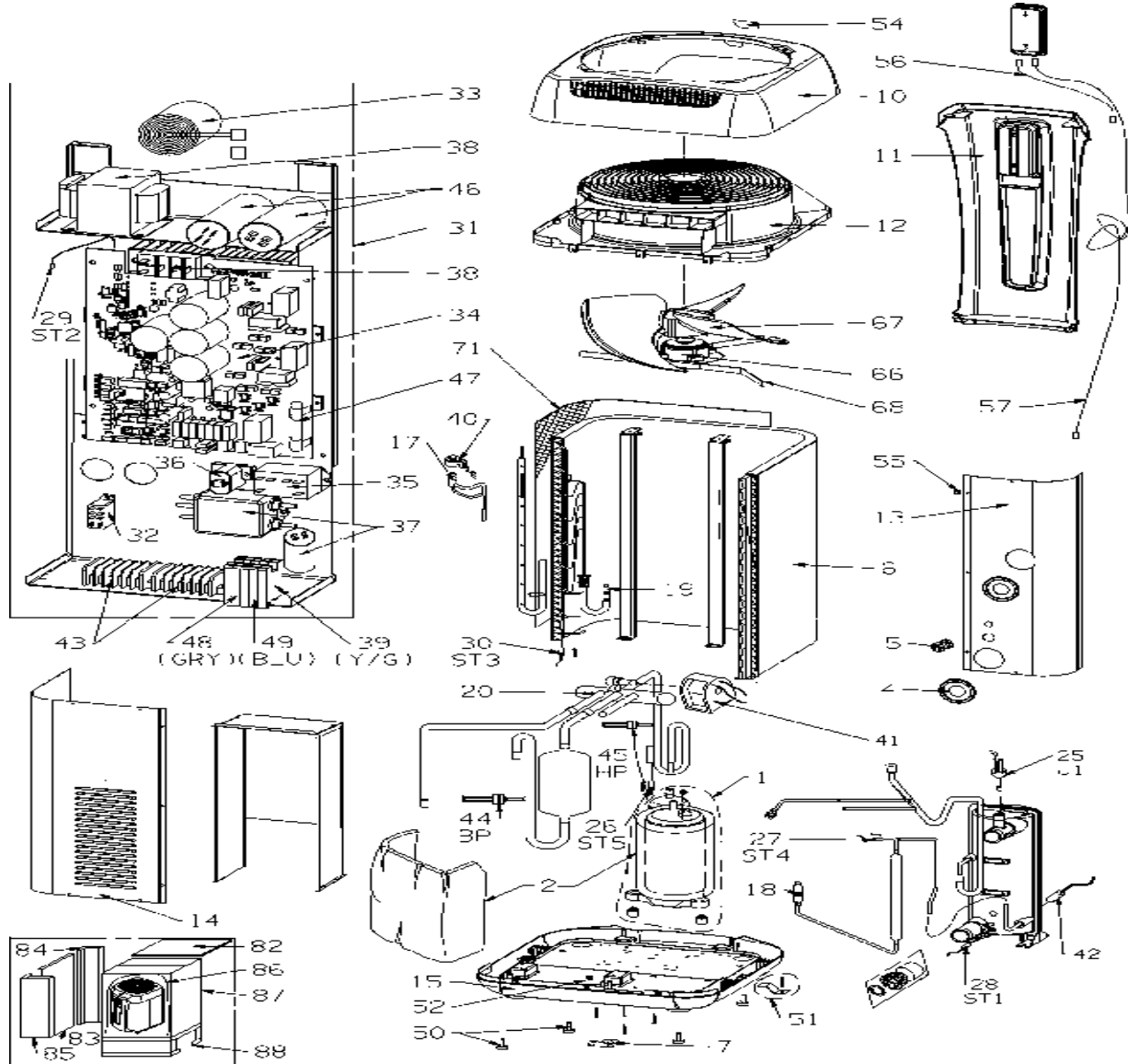


CODIGO WH000001, WH000002, WH000003, WH000004, WH000005

DESCRIPCION: ZS 500



**ESPAÑOL**

POS	CODIGO	DESCRIPCION	CANTIDAD	POS	CODIGO	DESCRIPCION	CANTIDAD
1	* B0050500A	COMPRESOR		17	* WTC03927	VÁLVULA DE EXPANSIÓN ELECTRÓNICA	
1	* B0185300A	COMPRESOR		17	* WTC03928	VÁLVULA DE EXPANSIÓN ELECTRÓNICA	
1	* V0145000A	COMPRESOR		20	* WTC03989	VÁLVULA DE 4 VÍAS	
1	* V0145100A	COMPRESOR		20	* V0144700A	VÁLVULA DE 4 VÍAS	
2	* T0041900A	FUNDA COMPRESOR		25	B0052400A	FLUJOSTATO	
2	* T0067500A	FUNDA COMPRESOR		26-30	R0674000	SENSOR TEMPERATURA ST1, ST3, ST4, ST	
6	* M0126100A	EVAPORADOR		31	* B0203200A	PANEL ELÉCTRICO EQUIPADO	
6	* M0042500A	EVAPORADOR		31	* B0052100A	PANEL ELÉCTRICO EQUIPADO	
7	WTC02971	CODO PURGA AGUA CONDENSACIÓN		31	* B0203300A	PANEL ELÉCTRICO EQUIPADO	
10	A0240800A	TAPA SUPERIOR		31	* B0224900A	PANEL ELÉCTRICO EQUIPADO	
11	A0240500A	PANEL FRONTAL		31	* B0225000A	PANEL ELÉCTRICO EQUIPADO	
12	A0240700A	PANEL REJA		32	B0050800A	RELÉ INVERSOR (12A, 230V)	
13	M0041200A	PANEL TRASERO FIJO		33	B0050700A	INDUCTOR DE FILTRO (30KHZ 1,5MH 22A)	

CODIGO **WH000001, WH000002, WH000003, WH000004, WH000005**

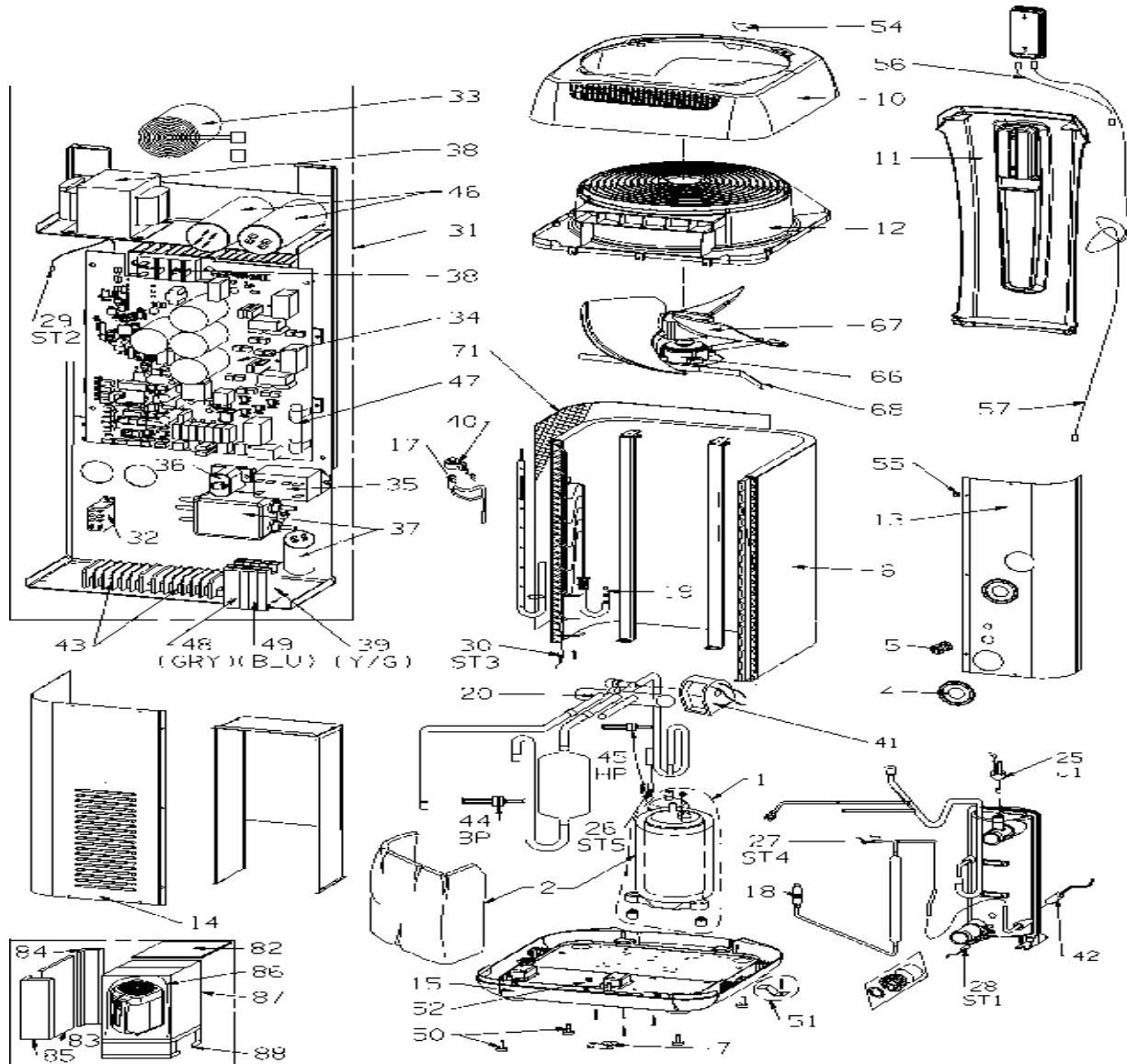
DESCRIPCION: **ZS 500**

14	M0041300A	PANEL TRASERO DESMONTABLE	34	* R07146	KIT PLACA BASE (A1)
15	A0240600A	BASE	34	* R07147	KIT PLACA BASE (A1)
34	* R07148	KIT PLACA BASE (A1)	68	* M0041400A	SOPORTE MOTOR VENTILADOR
34	* B0217300B	KIT PLACA BASE (A1)	71	A0261000A	REJILLA DE PROTECCIÓN EVAPORADOR
34	* B0217400B	KIT PLACA BASE (A1)	-	WVH00001	IHM
37	* B0050900A	FILTRO CEM (250-16A)	-	WZD00001	LEXAN IHM
37	* WTC04000	FILTRO CEM (25A C3)	-	R08611	FILTRO PAR VÁLVULA DE 4 VÍAS
37	* B0217600A	FILTRO CEM ( )	-	B0050600A	FUSIBLE PLACA BASE A1 (6,3 X 32 25A)
40	B0217200A	BOBINA VÁLVULA DE EXPANSIÓN	-	B0217500A	RELÉ COMPRESOR (18A)
41	WTC03836	BOBINA VÁLVULA DE 4 VÍAS	-	B0217700A	CONDENSADOR 1500?F 400V
42	B0051000A	RESISTENCIA DESHIELO INTERCAMBIADC	-	R0611001	RACOR HIDRÁULICO - SALIDA CONDENSAI
44	B0051200A	INTERRUPTOR BAJA PRESIÓN	-	A0358000A	RACOR HIDRÁULICO - ENTRADA INTERCAI
45	B0051100A	INTERRUPTOR ALTA PRESIÓN	-	R0611301	RACOR HIDRÁULICO - ENTRADA CONDENS
46	* R06954	CONDENSADOR 13 KW	-	A0357800A	RACOR ENTRADA INTERCAMBIADOR 3 FIJ
46	* R06957	CONDENSADOR 25KW	-	W20RDU	JUEGO DE 2 RACORS DE CONEXIÓN + JUN
50	A0261100A	PIE ANTIVIBRATORIO	-	WNS03428	JUNTA RÁCOR 50 X 1' 1/2 UNION
57	B0051900A	CABLE RJ11 / 45, 200CM	-	R07096	FUNDA HIBERNAL
66	B0050300A	MOTOR VENTILADOR	-	R07240	BANDEJA DE AGUA CONDENSACIÓN
67	WTC03955	HÉLICE VENTILADOR 3 ASPAS	-	WH000201	KIT DE CONTROL REMOTO
68	* M0132900A	SOPORTE MOTOR VENTILADOR		WH000202	KIT LOCAL TÉCNICO

CODIGO **WH000001, WH000002, WH000003, WH000004, WH000005**DESCRIPCION: **ZS 500****OBSERVACIONES**

POS	CODIGO	OBSERVACIONES
1	* B0050500A	PARA: WH000001, WH000002
1	* B0185300A	PARA: WH000004
1	* V0145000A	PARA: WH000003
1	* V0145100A	PARA: WH000005
2	* T0041900A	PARA: WH000001, WH000002, WH000003
2	* T0067500A	PARA: WH000004, WH000005
6	* M0126100A	PARA: WH000001
6	* M0042500A	PARA: WH000002, WH000003, WH000004, WH000005
17	* WTC03927	PARA: WH000001
17	* WTC03928	PARA: WH000002, WH000003, WH000004, WH000005
20	* WTC03989	PARA: WH000001, WH000002, WH000003
20	* V0144700A	PARA: WH000004, WH000005
31	* B0203200A	PARA: WH000001
31	* B0052100A	PARA: WH000002
31	* B0203300A	PARA: WH000003
31	* B0224900A	PARA: WH000004
31	* B0225000A	PARA: WH000005
34	* R07146	PARA: WH000001
34	* R07147	PARA: WH000002
34	* R07148	PARA: WH000003
34	* B0217300B	PARA: WH000004
34	* B0217400B	PARA: WH000005
37	* B0050900A	PARA: WH000001, WH000002
37	* WTC04000	PARA: WH000004
37	* B0217600A	PARA: WH000003, WH000005
46	* R06954	PARA: WH000001, WH000002, WH000003
46	* R06957	PARA: WH000004, WH000005
68	* M0132900A	PARA: WH000001
68	* M0041400A	PARA: WH000002, WH000003, WH000004, WH000005

CODE **WH000001, WH000002, WH000003, WH000004, WH000005**

 DESCRIPTION: **ZS 500**


### FRANCAIS

POS	CODE	DESCRIPTION	QUANTITE	POS	CODE	DESCRIPTION	QUANTITE
1	* B0050500A	COMPRESSEUR		17	* WTC03927	DÉTENDEUR ÉLECTRONIQUE	
1	* B0185300A	COMPRESSEUR		17	* WTC03928	DÉTENDEUR ÉLECTRONIQUE	
1	* V0145000A	COMPRESSEUR		20	* WTC03989	VANNE 4 VOIES	
1	* V0145100A	COMPRESSEUR		20	* V0144700A	VANNE 4 VOIES	
2	* T0041900A	HOUSSE COMPRESSEUR		25	B0052400A	DÉTECTEUR DE DÉBIT	
2	* T0067500A	HOUSSE COMPRESSEUR		26-30	R0674000	SONDE TEMPÉRATURE ST1, ST3, ST4, ST5	
6	* M0126100A	EVAPORATEUR		31	* B0203200A	PLATINE ÉLECTRIQUE ÉQUIPÉE	
6	* M0042500A	EVAPORATEUR		31	* B0052100A	PLATINE ÉLECTRIQUE ÉQUIPÉE	
7	WTC02971	COUDE D'ÉVACUATION CONDENSATS		31	* B0203300A	PLATINE ÉLECTRIQUE ÉQUIPÉE	
10	A0240800A	CAPOT SUPÉRIEUR		31	* B0224900A	PLATINE ÉLECTRIQUE ÉQUIPÉE	
11	A0240500A	PANNEAU FRONTAL		31	* B0225000A	PLATINE ÉLECTRIQUE ÉQUIPÉE	
12	A0240700A	ENSEMBLE GRILLE DE SOUFFLAGE		32	B0050800A	RELAIS INVERSEUR (12A, 230V)	
13	M0041200A	PANNEAU ARRIÈRE FIXE		33	B0050700A	INDUCTEUR DE FILTRE (30KHZ 1,5MH 22A)	

CODE **WH000001, WH000002, WH000003, WH000004, WH000005**

 DESCRIPTION: **ZS 500**

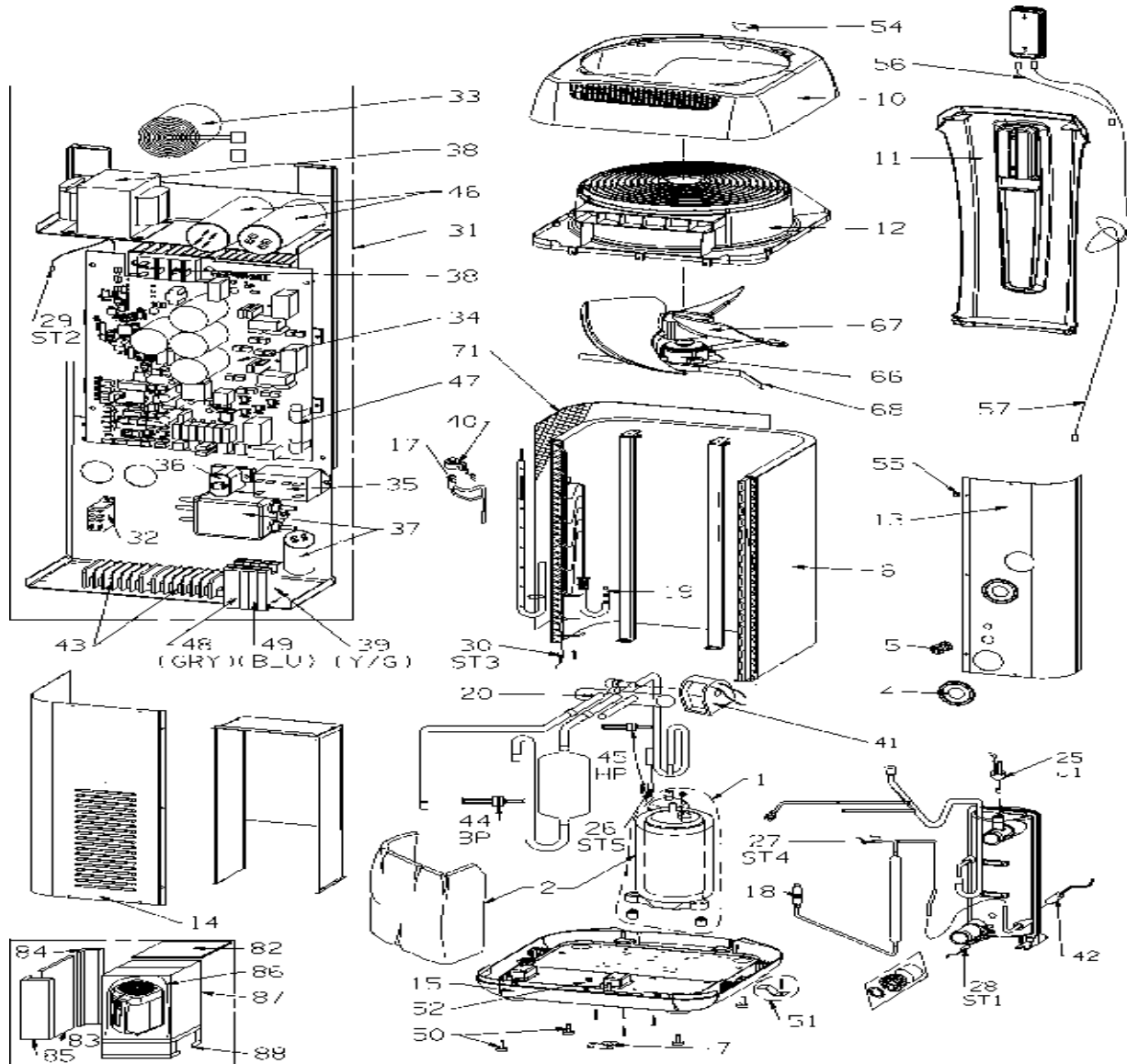
14	M0041300A	PANNEAU ARRIÈRE AMOVIBLE	34	* R07146	KIT CARTE PRINCIPALE (A1)
15	A0240600A	BASE	34	* R07147	KIT CARTE PRINCIPALE (A1)
34	* R07148	KIT CARTE PRINCIPALE (A1)	68	* M0041400A	SUPPORT MOTEUR VENTILATEUR
34	* B0217300B	KIT CARTE PRINCIPALE (A1)	71	A0261000A	GRILLAGE PROTECTION ÉVAPORATEUR
34	* B0217400B	KIT CARTE PRINCIPALE (A1)	-	WVH00001	IHM
37	* B0050900A	FILTRE CEM (250-16A)	-	WZD00001	LEXAN IHM
37	* WTC04000	FILTRE CEM (25A C3)	-	R08611	FILTRE VANNE 4 VOIES
37	* B0217600A	FILTRE CEM ()	-	B0050600A	FUSIBLE CARTE A1 (6,3 X 32 25A)
40	B0217200A	BOBINE DÉTENDEUR	-	B0217500A	RELAIS COMPRESSEUR (18A)
41	WTC03836	BOBINE VANNE 4 VOIES	-	B0217700A	CONDENSATEUR 1500µF 400V
42	B0051000A	RÉSISTANCE ANTIGEL CONDENSEUR (55V)	-	R0611001	RACCORD HYDRAULIQUE - SORTIE CONDI
44	B0051200A	PRESSOSTAT BASSE PRESSION	-	A0358000A	RACCORD CONDENSEUR 3 FIXATIONS AVE
45	B0051100A	PRESSOSTAT HAUTE PRESSION	-	R0611301	RACCORD HYDRAULIQUE - ENTRÉE COND
46	* R06954	CONDENSEUR	-	A0357800A	RACCORD CONDENSEUR 3 FIXATIONS + J
46	* R06957	CONDENSEUR	-	W20RDU	JEU DE 2 RACCORDS DEMI-UNION 1 ½ 50
50	A0261100A	PIED ANTI-VIBRATILE	-	WNS03428	JOINT RACCORD 50 X 1' 1/2 UNION
57	B0051900A	CÂBLE RJ11 / 45, 200CM	-	R07096	HOUSSE D'HIVERNAGE
66	B0050300A	MOTEUR VENTILATEUR	-	R07240	BAC À CONDENSAT
67	WTC03955	HÉLICE VENTILATEUR 3 PALES	-	WH000201	KIT COMMANDE DÉPORTÉE
68	* M0132900A	SUPPORT MOTEUR VENTILATEUR	-	WH000202	KIT LOCAL TECHNIQUE

CODE **WH000001, WH000002, WH000003, WH000004, WH000005**DESCRIPTION: **ZS 500****OBSERVATIONS**

POS	CODE	OBSERVATIONS
1	* B0050500A	POUR: WH000001, WH000002
1	* B0185300A	POUR: WH000004
1	* V0145000A	POUR: WH000003
1	* V0145100A	POUR: WH000005
2	* T0041900A	POUR: WH000001, WH000002, WH000003
2	* T0067500A	POUR: WH000004, WH000005
6	* M0126100A	POUR: WH000001
6	* M0042500A	POUR: WH000002, WH000003, WH000004, WH000005
17	* WTC03927	POUR: WH000001
17	* WTC03928	POUR: WH000002, WH000003, WH000004, WH000005
20	* WTC03989	POUR: WH000001, WH000002, WH000003
20	* V0144700A	POUR: WH000004, WH000005
31	* B0203200A	POUR: WH000001
31	* B0052100A	POUR: WH000002
31	* B0203300A	POUR: WH000003
31	* B0224900A	POUR: WH000004
31	* B0225000A	POUR: WH000005
34	* R07146	POUR: WH000001
34	* R07147	POUR: WH000002
34	* R07148	POUR: WH000003
34	* B0217300B	POUR: WH000004
34	* B0217400B	POUR: WH000005
37	* B0050900A	POUR: WH000001, WH000002
37	* WTC04000	POUR: WH000004
37	* B0217600A	POUR: WH000003, WH000005
46	* R06954	POUR: WH000001, WH000002, WH000003
46	* R06957	POUR: WH000004, WH000005
68	* M0132900A	POUR: WH000001
68	* M0041400A	POUR: WH000002, WH000003, WH000004, WH000005

CODE WH000001, WH000002, WH000003, WH000004, WH000005

DESCRIPTION: ZS 500



**ENGLISH**

POS	CODE	DESCRIPTION	QUANTITY	POS	CODE	DESCRIPTION	QUANTITY
1	* B0050500A	COMPRESSOR		17	* WTC03927	ELECTRONIC EXPANSION VALVE	
1	* B0185300A	COMPRESSOR		17	* WTC03928	ELECTRONIC EXPANSION VALVE	
1	* V0145000A	COMPRESSOR		20	* WTC03989	4-WAY VALVE	
1	* V0145100A	COMPRESSOR		20	* V0144700A	4-WAY VALVE	
2	* T0041900A	COMPRESSOR JACKET		25	B0052400A	FLOW SWITCH	
2	* T0067500A	COMPRESSOR JACKET		26-30	R0674000	TEMPERATURE SENSOR ST1, ST3, ST4, ST	
6	* M0126100A	EVAPORATOR		31	* B0203200A	ELECTRICAL PANEL, EQUIPPED	
6	* M0042500A	EVAPORATOR		31	* B0052100A	ELECTRICAL PANEL, EQUIPPED	
7	WTC02971	CONDENSATE DRAIN FITTING		31	* B0203300A	ELECTRICAL PANEL, EQUIPPED	
10	A0240800A	TOP COVER		31	* B0224900A	ELECTRICAL PANEL, EQUIPPED	
11	A0240500A	FRONT PANEL		31	* B0225000A	ELECTRICAL PANEL, EQUIPPED	
12	A0240700A	GRILL PANEL		32	B0050800A	INVERTER RELAY (12A, 230V)	
13	M0041200A	FIXED BACK PANEL		33	B0050700A	FILTER INDUCTOR (30KHZ 1,5MH 22A)	

\* SEE OBSERVATIONS SHEET

CODE **WH000001, WH000002, WH000003, WH000004, WH000005**

 DESCRIPTION: **ZS 500**

14	M0041300A	REMOVABLE BACK PANEL	34	* R07146	MAIN BOARD (A1) KIT
15	A0240600A	BASE	34	* R07147	MAIN BOARD (A1) KIT
34	* R07148	MAIN BOARD (A1) KIT	68	* M0041400A	FAN MOTOR HOLDER
34	* B0217300B	MAIN BOARD (A1) KIT	71	A0261000A	EVAPORATOR PROTECTION NET
34	* B0217400B	MAIN BOARD (A1) KIT	-	WVH00001	HMI
37	* B0050900A	EMC FILTER (250-16A)	-	WZD00001	HMI LEXAN
37	* WTC04000	EMC FILTER (25A C3)	-	R08611	4-WAY VALVE FILTER
37	* B0217600A	EMC FILTER ()	-	B0050600A	A1 BOARD FUSE (6,3 X 32 25A)
40	B0217200A	EXPANSION VALVE COIL	-	B0217500A	COMPRESSOR RELAY (18A)
41	WTC03836	4-WAY VALVE COIL	-	B0217700A	CONDENSER 1500µF 400V
42	B0051000A	HEAT EXCHANGER ANTIFROST RESISTAN	-	R0611001	CONDENSER OUTLET CONNECTOR WITH
44	B0051200A	LOW PRESSURE SWITCH	-	A0358000A	HEAT EXCHANGER OUTLET CONNECTOR
45	B0051100A	HIGH PRESSURE SWITCH	-	R0611301	CONDENSER INLET CONNECTOR WITH TAI
46	* R06954	CONDENSER	-	A0357800A	HEAT EXCHANGER INLET CONNECTOR 3 I
46	* R06957	CONDENSER	-	W20RDU	SET OF 2 HALF-UNION CONNECTORS + GA
50	A0261100A	ANTI-VIBRATILE FOOT	-	WNS03428	JOINT FOR 50 X 1' 1/2 UNION
57	B0051900A	RJ11 / 45 WIRE, 200CM	-	R07096	WINTER COVER
66	B0050300A	FAN MOTOR	-	R07240	CONDENSATE TRAY
67	WTC03955	3-BLADES PROPELLER	-	WH000201	REMOTE CONTROL MODULE
68	* M0132900A	FAN MOTOR HOLDER		WH000202	LOCAL FACILITY KIT



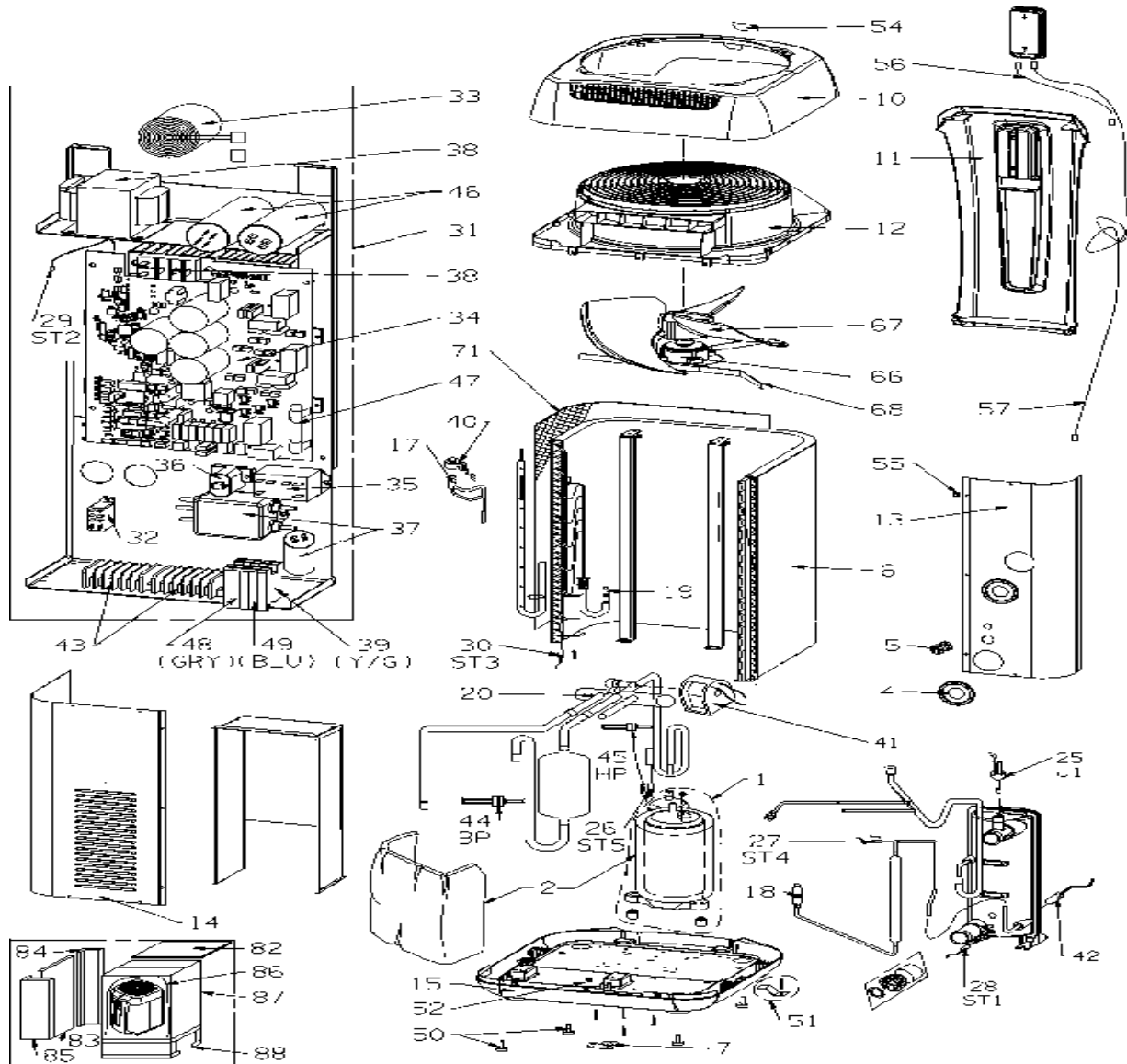
CODE **WH000001, WH000002, WH000003, WH000004, WH000005**

DESCRIPTION: **ZS 500**

## OBSERVATIONS

POS	CODE	OBSERVATIONS
1	* B0050500A	FOR: WH000001, WH000002
1	* B0185300A	FOR: WH000004
1	* V0145000A	FOR: WH000003
1	* V0145100A	FOR: WH000005
2	* T0041900A	FOR: WH000001, WH000002, WH000003
2	* T0067500A	FOR: WH000004, WH000005
6	* M0126100A	FOR: WH000001
6	* M0042500A	FOR: WH000002, WH000003, WH000004, WH000005
17	* WTC03927	FOR: WH000001
17	* WTC03928	FOR: WH000002, WH000003, WH000004, WH000005
20	* WTC03989	FOR: WH000001, WH000002, WH000003
20	* V0144700A	FOR: WH000004, WH000005
31	* B0203200A	FOR: WH000001
31	* B0052100A	FOR: WH000002
31	* B0203300A	FOR: WH000003
31	* B0224900A	FOR: WH000004
31	* B0225000A	FOR: WH000005
34	* R07146	FOR: WH000001
34	* R07147	FOR: WH000002
34	* R07148	FOR: WH000003
34	* B0217300B	FOR: WH000004
34	* B0217400B	FOR: WH000005
37	* B0050900A	FOR: WH000001, WH000002
37	* WTC04000	FOR: WH000004
37	* B0217600A	FOR: WH000003, WH000005
46	* R06954	FOR: WH000001, WH000002, WH000003
46	* R06957	FOR: WH000004, WH000005
68	* M0132900A	FOR: WH000001
68	* M0041400A	FOR: WH000002, WH000003, WH000004, WH000005

CODICE **WH000001, WH000002, WH000003, WH000004, WH000005**

 DESCRIZIONE: **ZS 500**

**ITALIANO**

POS	CODICE	DESCRIZIONE	QUANTITA'	POS	CODICE	DESCRIZIONE	QUANTITA'
1	* B0050500A	COMPRESSORE ZS500 MD5		17	* WTC03927	EVAPORATORE PFPREM	
1	* B0185300A	COMPRESSORE ZS500 MD8		17	* WTC03928	REGOLATORE UKV PER PREM	
1	* V0145000A	COMPRESSEUR ZS500 TD5		20	* WTC03989	VALVOLA 4 VIE	
1	* V0145100A	COMPRESSEUR ZS500 TD8		20	* V0144700A	VALVOLA 4 VIE MD8	
2	* T0041900A	ISOLAMENTO COMPRESSORE MD4-5		25	B0052400A	CONTROLLORE DI PORTATA	
2	* T0067500A	ISOLAMENTO COMPRESSORE MD8		26-30	R0674000	SENSORE TEMPERATURA ST1, ST3, ST4, S	
6	* M0126100A	EVAPORATORE MD4		31	* B0203200A	PIASTRA ELETTRICA COMPLETA SEN	
6	* M0042500A	EVAPORATORE		31	* B0052100A	PIASTRA ELETTRICA COMPLETA	
7	WTC02971	TUBO EVACUAZIONE CONDENSA		31	* B0203300A	PIASTRA ELETTRICA COMPLETA SEN	
10	A0240800A	COPERCHIO		31	* B0224900A	PLATINE COMPLETE ZS500 TD5	
11	A0240500A	FACCIATA		31	* B0225000A	PLATINE COMPLETE ZS500 TD8	
12	A0240700A	GRIGLIA		32	B0050800A	RELÉ 12A 230V 2CONTATTI	
13	M0041200A	PANNELLO POSTERIORE FISSO		33	B0050700A	INDUTTORE FILTRO 30KHZ 1,5MH	

\* SI FACCIA RIFERIMENTO AL FOGLIO DELLE OSSERVAZIONI

CODICE **WH000001, WH000002, WH000003, WH000004, WH000005**

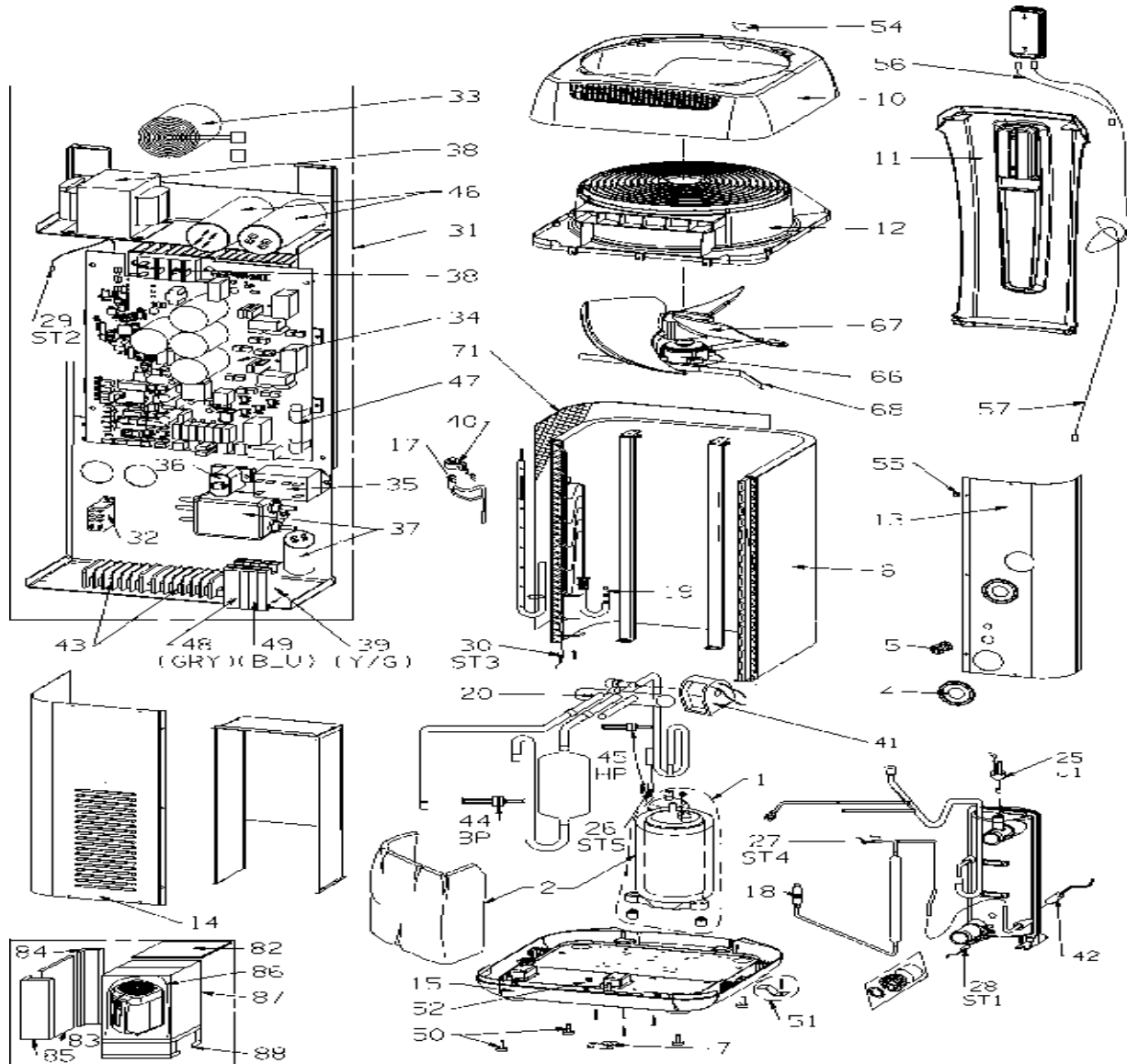
 DESCRIZIONE: **ZS 500**

14	M0041300A	PANNELLO POSTERIORE REMOVIBILE	34	* R07146	KIT SCHEDA PRINCIPALE A1 MD4
15	A0240600A	BASE	34	* R07147	KIT SCHEDA PRINCIPALE A1 MD5
34	* R07148	KIT SCHEDA PRINCIPALE A1 MD8	68	* M0041400A	SUPPORTO MOTORE VENTILATORE
34	* B0217300B	CARTE A1 ZS500 TD5	71	A0261000A	GRIGLIA GRIGIA EVAPORATORE
34	* B0217400B	CARTE A1 ZS500 TD8	-	WVH00001	PAD (DISPLAY)
37	* B0050900A	FILTRO EMC 250-16A	-	WZD00001	LEXAN PAD ZS500
37	* WTC04000	FILTRO 25A (PFPREM 15 MD, Z300	-	R08611	FILTRO PER VALVOLA A 4 VIE
37	* B0217600A	FILTRE EMC ZS500TD	-	B0050600A	FUSIBILE SCHEDAA1 6,3 X 32 25A
40	B0217200A	BOBINA VALVOLA AD ESPANSIONE	-	B0217500A	RELE' COMPRESSORE (18A)
41	WTC03836	BOBINE V.4 VOIES 230V EDEN PFPREM	-	B0217700A	CONDENSATEUR 1500?F 400V
42	B0051000A	RESISTENZA CONDENS. 55W L750	-	R0611001	CONNETTORE USCITA CONDENSATORE
44	B0051200A	PRESSOSTATO BASSA PRESSIONE	-	A0358000A	RACC. COURT AVEC PIQUAGE 3P
45	B0051100A	PRESSOSTATO ALTA PRESSIONE	-	R0611301	RACCORDO IDRAULICO - ENTRATA C
46	* R06954	CONDENSATORE	-	A0357800A	RACC. COURT SANS PIQUAGE 3P
46	* R06957	CONDENSATORE	-	W20RDU	KIT 2 RACCORDI SEMI-UNIONE
50	A0261100A	BLOCCHI ANTIVIBRANTI	-	WNS03428	GUARNIZIONE RACCORDO 50X1 1/2
57	B0051900A	CAVO COMUNICAZIONE RJ11/45 2M	-	R07096	COPERTURA INVERNALE
66	B0050300A	MOTORE VENTILATORE	-	R07240	VASSOIO CONDENSA
67	WTC03955	ELICA 3 PALE	-	WH000201	KIT COMANDO ASPORTABILE
68	* M0132900A	SUPPORTO MOTORE VENTILATORE MD		WH000202	KIT LOCALE TECNICO

CODICE **WH000001, WH000002, WH000003, WH000004, WH000005**DESCRIZIONE: **ZS 500****OSSERVAZIONI**

POS	CODICE	OSSERVAZIONI
1	* B0050500A	PER: WH000001, WH000002
1	* B0185300A	PER: WH000004
1	* V0145000A	PER: WH000003
1	* V0145100A	PER: WH000005
2	* T0041900A	PER: WH000001, WH000002, WH000003
2	* T0067500A	PER: WH000004, WH000005
6	* M0126100A	PER: WH000001
6	* M0042500A	PER: WH000002, WH000003, WH000004, WH000005
17	* WTC03927	PER: WH000001
17	* WTC03928	PER: WH000002, WH000003, WH000004, WH000005
20	* WTC03989	PER: WH000001, WH000002, WH000003
20	* V0144700A	PER: WH000004, WH000005
31	* B0203200A	PER: WH000001
31	* B0052100A	PER: WH000002
31	* B0203300A	PER: WH000003
31	* B0224900A	PER: WH000004
31	* B0225000A	PER: WH000005
34	* R07146	PER: WH000001
34	* R07147	PER: WH000002
34	* R07148	PER: WH000003
34	* B0217300B	PER: WH000004
34	* B0217400B	PER: WH000005
37	* B0050900A	PER: WH000001, WH000002
37	* WTC04000	PER: WH000004
37	* B0217600A	PER: WH000003, WH000005
46	* R06954	PER: WH000001, WH000002, WH000003
46	* R06957	PER: WH000004, WH000005
68	* M0132900A	PER: WH000001
68	* M0041400A	PER: WH000002, WH000003, WH000004, WH000005

CODE **WH000001, WH000002, WH000003, WH000004, WH000005**

 BESCHREIBUNG: **ZS 500**


## DEUTSCH

POS	CODE	BESCHREIBUNG	MENGE	POS	CODE	BESCHREIBUNG	MENGE
1	* B0050500A	KOMPRESSOR F. ZS500 MD4/5		17	* WTC03927	DRUCKMINDERVENTIL UKV 18 D31	
1	* B0185300A	KOMPRESSOR ZS500 MD8		17	* WTC03928	DRUCKMINDERVENTIL UKV 25 D32	
1	* V0145000A	COMPRESSEUR ZS500 TD5		20	* WTC03989	VIERWEGEVENTIL	
1	* V0145100A	COMPRESSEUR ZS500 TD8		20	* V0144700A	VANNE 4 VOIES DEG	
2	* T0041900A	ISOLATIONSMANSCHETTE ZS500 MD4		25	B0052400A	PADDELSCHALTER ZS500	
2	* T0067500A	ISOLATIONSMANSCHETTE ZS500 MD8		26-30	R0674000	TEMPERATURSENSOR ST1, ST3, ST4, ST5	
6	* M0126100A	VERDAMPFER ZS500 MD4		31	* B0203200A	PLATINE COMPLETE ZS500 MD4	
6	* M0042500A	VERDAMPFER ZS500 MD5 / MD8		31	* B0052100A	ENS ELEC P100-125 MDI	
7	WTC02971	ABLAßWINKEL ADM 16 MM		31	* B0203300A	PLATINE COMPLETE ZS500 MD8	
10	A0240800A	OBERE ABDECKUNG F. ZS500		31	* B0224900A	PLATINE COMPLETE ZS500 TD5	
11	A0240500A	FRONTBLENDE F. ZS500		31	* B0225000A	PLATINE COMPLETE ZS500 TD8	
12	A0240700A	LÜFTERGEHÄUSE F. ZS500		32	B0050800A	UMSCHALTRELAIS 2-FACH 12 A	
13	M0041200A	KONDENSATOR-AUSTRITTSPLATTE ZS		33	B0050700A	FILTERSPULE 30 KHZ 1,5MH 22A	

CODE **WH000001, WH000002, WH000003, WH000004, WH000005**

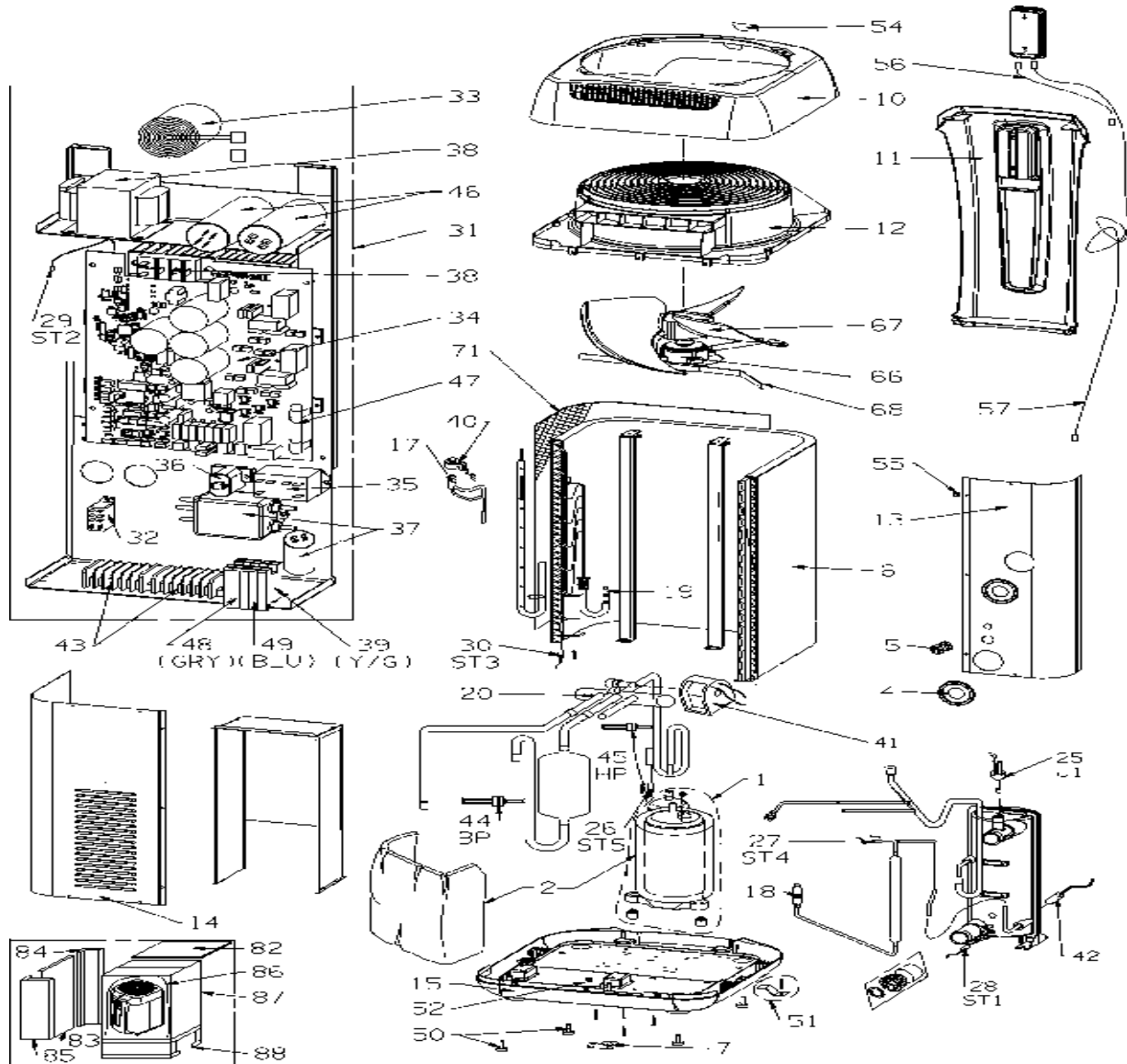
BESCHREIBUNG: **ZS 500**

14	M0041300A	TECHNIKZUGANG GEHÄUSETEIL ZS	34	* R07146	PLATINENSET ZS500 MD4+PATCH A4
15	A0240600A	GRUNDPLATTE F. ZS500	34	* R07147	PLATINENSET ZS500 MD5+PATCH A4
34	* R07148	PLATINENSET ZS500 MD8+PATCH A4	68	* M0041400A	MOTORKONSOLE ZS500
34	* B0217300B	PLATINENSET ZS500 TD5	71	A0261000A	SCHUTZGITTER F. VERDAMPFER
34	* B0217400B	PLATINENSET ZS500 TD8	-	WVH00001	BEDIENEINHEIT F. ZS500
37	* B0050900A	ENTSTÖRFILTER EMC 250-16A	-	WZD00001	BEDIENFOLIE FÜR PAD
37	* WTC04000	ENTSTÖRFILTER	-	R08611	FILTER FÜR 4-WEGE VENTIL
37	* B0217600A	FILTRE EMC ZS500TD	-	B0050600A	FEINSICHERUNG 6,3X32 F25A/500V
40	B0217200A	SPULE EXPANSIONSVENTIL	-	B0217500A	KOMPRESSORRELAIS (18A)
41	WTC03836	ELEKTROMAGNET F. 4-WEGE-VENTIL	-	B0217700A	KONDENSATOR 1500 ?F 400V
42	B0051000A	HEIZPATRONE, 55W L750,	-	R0611001	ANSCHLUSSSTÜCK OBEN U. O-RING
44	B0051200A	DRUCKWÄCHTER ND ZUM ANLÖTEN	-	A0358000A	ANSCHLUßSTÜCK KONDENSATOR OBEN
45	B0051100A	DRUCKWÄCHTER HD ZUM ANLÖTEN	-	R0611301	ANSCHLUSSSTÜCK UNTEN M. O-RING
46	* R06954	TITAN-WÄRMETAUSCHER 13 KW F.	-	A0357800A	ANSCHLUßSTÜCK KONDENSAT. UNTEN
46	* R06957	TITAN-WÄRMETAUSCHER 25 KW	-	W20RDU	ANSCHLUSSVERSCHRAUBUNG (PAAR)
50	A0261100A	ANTI-VIBRATIONS-FUß F. ZS500	-	WNS03428	FLACHDICHTUNG FÜR HALB-
57	B0051900A	STEUERKABEL RJ11/45 2M	-	R07096	WINTERABDECKUNG ZS500
66	B0050300A	LÜFTERMOTOR F. ZS500	-	R07240	AUFFANGWANNE FÜR ZS500
67	WTC03955	PROPELLER F. ZS500	-	WH000201	WANDHALTERUNG ZS500
68	* M0132900A	MOTORKONSOLE F. PROPELLER MD4		WH000202	UMBAUSATZ INDOOR ZS500

CODE **WH000001, WH000002, WH000003, WH000004, WH000005**BESCHREIBUNG: **ZS 500****HINWEISE**

POS	CODE	HINWEISE
1	* B0050500A	FÜR: WH000001, WH000002
1	* B0185300A	FÜR: WH000004
1	* V0145000A	FÜR: WH000003
1	* V0145100A	FÜR: WH000005
2	* T0041900A	FÜR: WH000001, WH000002, WH000003
2	* T0067500A	FÜR: WH000004, WH000005
6	* M0126100A	FÜR: WH000001
6	* M0042500A	FÜR: WH000002, WH000003, WH000004, WH000005
17	* WTC03927	FÜR: WH000001
17	* WTC03928	FÜR: WH000002, WH000003, WH000004, WH000005
20	* WTC03989	FÜR: WH000001, WH000002, WH000003
20	* V0144700A	FÜR: WH000004, WH000005
31	* B0203200A	FÜR: WH000001
31	* B0052100A	FÜR: WH000002
31	* B0203300A	FÜR: WH000003
31	* B0224900A	FÜR: WH000004
31	* B0225000A	FÜR: WH000005
34	* R07146	FÜR: WH000001
34	* R07147	FÜR: WH000002
34	* R07148	FÜR: WH000003
34	* B0217300B	FÜR: WH000004
34	* B0217400B	FÜR: WH000005
37	* B0050900A	FÜR: WH000001, WH000002
37	* WTC04000	FÜR: WH000004
37	* B0217600A	FÜR: WH000003, WH000005
46	* R06954	FÜR: WH000001, WH000002, WH000003
46	* R06957	FÜR: WH000004, WH000005
68	* M0132900A	FÜR: WH000001
68	* M0041400A	FÜR: WH000002, WH000003, WH000004, WH000005

CODIGO **WH000001, WH000002, WH000003, WH000004, WH000005**

 DESCRIÇÃO: **ZS 500**


### PORTUGUES

POS	CODIGO	DESCRIÇÃO	JANTIDADE	POS	CODIGO	DESCRIÇÃO	JANTIDADE
1	* B0050500A	COMPRESSEUR SNB172FEKMT ZS500		17	* WTC03927	VÁLVULA EXPANSÃO UKV PFPREM6-8	
1	* B0185300A	COMPRESSEUR ZS500 MD8		17	* WTC03928	VÁLVULA EXPANSÃO UKV PFPREM11	
1	* V0145000A	COMPRESSEUR ZS500 TD5		20	* WTC03989	VÁLVULA 4 VIAS PFPREM	
1	* V0145100A	COMPRESSEUR ZS500 TD8		20	* V0144700A	VANNE 4 VOIES DEG	
2	* T0041900A	HOUSSE COMPRESSEUR ZS500		25	B0052400A	DETECTOR DE CAUDAL ZS500	
2	* T0067500A	HOUSSE COMPRESSEUR MD8		26-30	R0674000	SENSOR DE TEMPERATURA ST1, ST3, ST4.	
6	* M0126100A	EVAPORATEUR ZS500 MD4		31	* B0203200A	PLATINE COMPLETE ZS500 MD4	
6	* M0042500A	ENS. BATTERIE ZS500-2R-9V		31	* B0052100A	ENS ELEC P100-125 MDI	
7	WTC02971	COTOVELO PLÁSTICO + TAMPÃO		31	* B0203300A	PLATINE COMPLETE ZS500 MD8	
10	A0240800A	CAPOT ZS500 R9010		31	* B0224900A	PLATINE COMPLETE ZS500 TD5	
11	A0240500A	FACE DIANTEIRA ZS500		31	* B0225000A	PLATINE COMPLETE ZS500 TD8	
12	A0240700A	GRELHA ZS500		32	B0050800A	RELAY 12A 230V AC 2 CONT	
13	M0041200A	PAINEL SAÍDA FIXO ZS500		33	B0050700A	INDUCTEUR DE FILTRE 30KHZ 1,5M 22A	

\* VEJA A FICHA DE OBSERVAÇÕES



CODIGO **WH000001, WH000002, WH000003, WH000004, WH000005**

DESCRIÇÃO: **ZS 500**

14	M0041300A	PAINEL TRASEIRO REMOV ZS500	34	* R07146	KIT CARTE A1 ZS500 MD4 + PATCH
15	A0240600A	BASE ZS500 R9010	34	* R07147	PLACA ELECTRÓNICA PRINC A1 MD5
34	* R07148	KIT CARTE A1 ZS500 MD8 + PATCH	68	* M0041400A	SUPPORT MOTEUR VENTILATEUR ZS500
34	* B0217300B	PLACA ELECT A1 ZS500TD5	71	A0261000A	GRILLAGE GRIS EVAP ZS500
34	* B0217400B	PLACA ELECTRÓNICA A1 ZS500	-	WVH00001	PAD ZS 500
37	* B0050900A	FILTRE EMC 250-16A ZS500	-	WZD00001	LEXAN ZS500
37	* WTC04000	FILTRE 25A C3	-	R08611	FILTRO PARA VÁLVULA DE 4 VIAS
37	* B0217600A	FILTRE EMC ZS500TD	-	B0050600A	FUSIBLE CARTE A1 ZS500
40	B0217200A	BOBINE DA VÁLVULA DE EXPANSÃO	-	B0217500A	RELÉ DO COMPRESSOR (18A)
41	WTC03836	BOBINE V.4 VOIES 230V EDEN PFPREM	-	B0217700A	CONDENSATEUR 1500?F 400V
42	B0051000A	RESISTANCE COND 55W L750	-	R0611001	KIT RACORD HIDRAULICO (+JUNTA)
44	B0051200A	PRESSOSTAT BP ZS500	-	A0358000A	RACOR HIDRAULICO SAIDA COND+JU
45	B0051100A	PRESSOSTAT HP ZS500	-	R0611301	KIT RACOR COND
46	* R06954	CONDENSADOR 13KW R410A	-	A0357800A	RACOR HIDRAULICO ENTRADA COND+
46	* R06957	CONDENSADOR 25KW R410A	-	W20RDU	PACK 2 UNIÕESSEMI+ JUNTA 40/49
50	A0261100A	PLOT ANTI VIBRATILE	-	WNS03428	PACK 2 UNIÕES 32/47 ESPESS 5MM
57	B0051900A	CABO COMUNIC RJ11/45	-	R07096	HOUSSE PVC ZS500
66	B0050300A	MOTEUR VENTIL ZS500	-	R07240	BAC CONDENSAT ZS500
67	WTC03955	HÉLICE 3 PÁS	-	WH000201	KIT CONTROLO ZS500
68	* M0132900A	SUPPORT MOTEUR ZS500 MD4		WH000202	KIT LOCAL TECHNIQUE ZS500

CODIGO **WH000001, WH000002, WH000003, WH000004, WH000005**DESCRIÇÃO: **ZS 500****OBSERVAÇÕES**

POS	CODIGO	OBSERVAÇÕES
1	* B0050500A	PARA: WH000001, WH000002
1	* B0185300A	PARA: WH000004
1	* V0145000A	PARA: WH000003
1	* V0145100A	PARA: WH000005
2	* T0041900A	PARA: WH000001, WH000002, WH000003
2	* T0067500A	PARA: WH000004, WH000005
6	* M0126100A	PARA: WH000001
6	* M0042500A	PARA: WH000002, WH000003, WH000004, WH000005
17	* WTC03927	PARA: WH000001
17	* WTC03928	PARA: WH000002, WH000003, WH000004, WH000005
20	* WTC03989	PARA: WH000001, WH000002, WH000003
20	* V0144700A	PARA: WH000004, WH000005
31	* B0203200A	PARA: WH000001
31	* B0052100A	PARA: WH000002
31	* B0203300A	PARA: WH000003
31	* B0224900A	PARA: WH000004
31	* B0225000A	PARA: WH000005
34	* R07146	PARA: WH000001
34	* R07147	PARA: WH000002
34	* R07148	PARA: WH000003
34	* B0217300B	PARA: WH000004
34	* B0217400B	PARA: WH000005
37	* B0050900A	PARA: WH000001, WH000002
37	* WTC04000	PARA: WH000004
37	* B0217600A	PARA: WH000003, WH000005
46	* R06954	PARA: WH000001, WH000002, WH000003
46	* R06957	PARA: WH000004, WH000005
68	* M0132900A	PARA: WH000001
68	* M0041400A	PARA: WH000002, WH000003, WH000004, WH000005