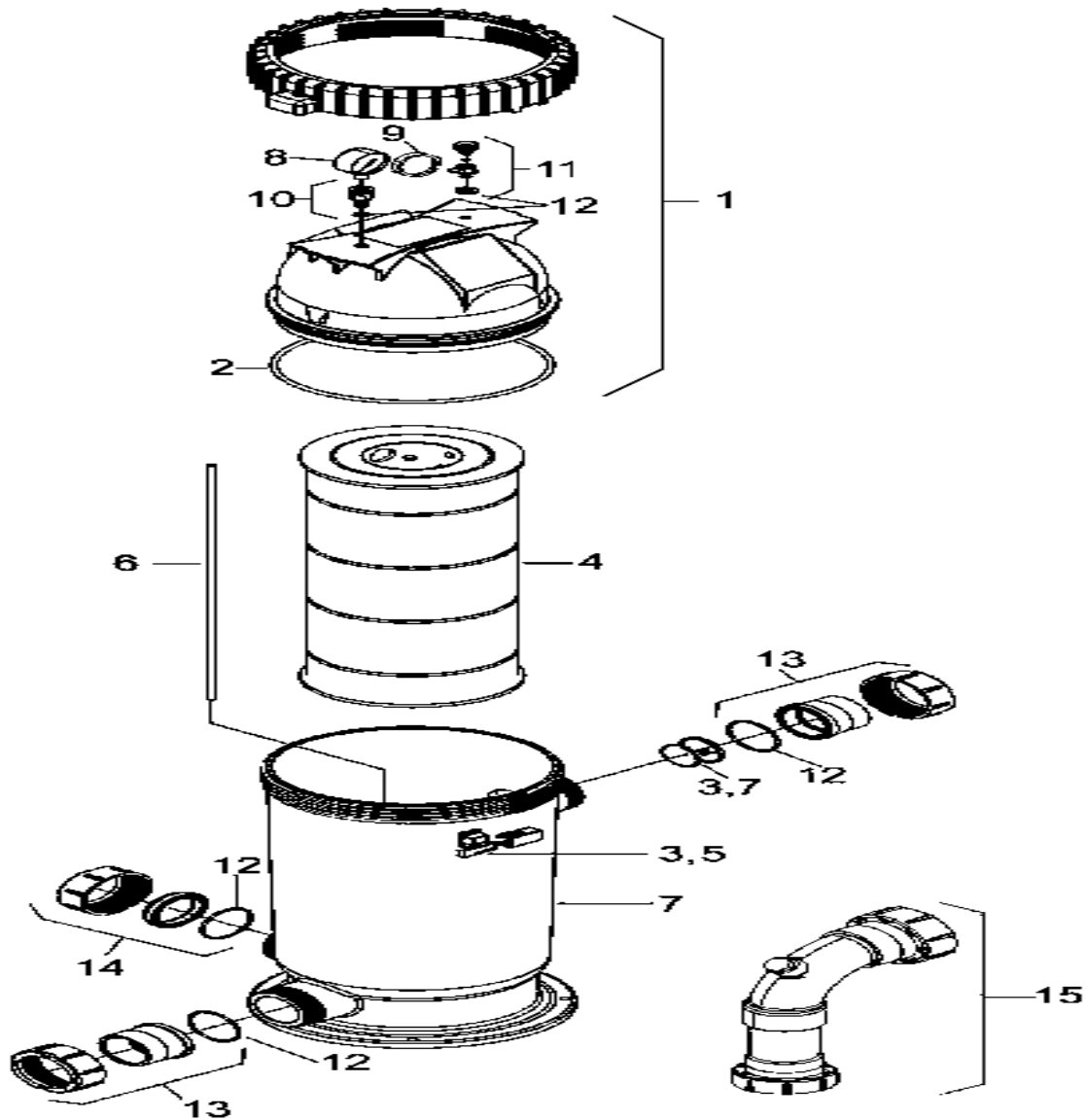


CODIGO **WF000024, WF000025**

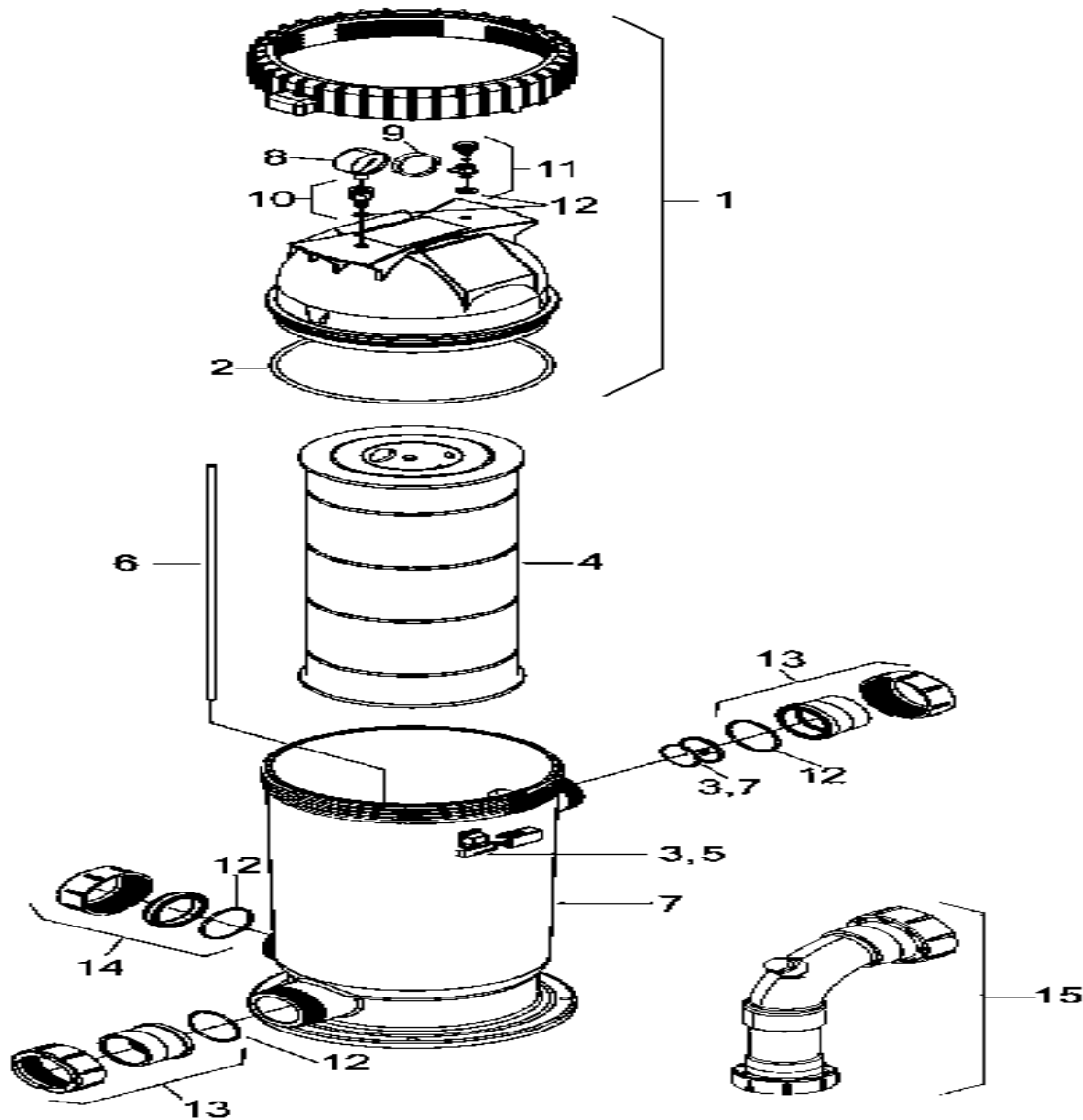
 DESCRIPCION: **CS100 & CS150**

ESPAÑOL

POS	CODIGO	DESCRIPCION	CANTIDAD	POS	CODIGO	DESCRIPCION	CANTIDAD
1	R0461901	KIT TAPA SUPERIOR CS100 & CS150		9	R0468201	INDICADOR DE LIMPIEZA MANÓMETRO	
2	R0462701	JUNTA CUERPO		10	R0557101	KIT ADAPTADOR PARA EL MANÓMETRO	
3	R0462101	KIT DIFUSOR Y SISTEMA BLOQUEO		11	R0557201	KIT DE TORNILLOS DE PURGA DE AIRE	
4	* R0462201	CARTUCHO CS 100		12	R0466301	KIT JUNTAS (3 UN.)	
4	* R0462301	CARTUCHO CS 150		13	R0771400	KIT RACORS UNIÓN DN63/50 MM (2 UN.)	
5	R0484101	SISTEMA DE BLOQUEO		13	R0771401	KIT RACORDS UNION 2" (2 UN, AÑADIR 2 X	
6	R0462803	TUBO DE PURGA DE AIRE, CS100 & CS150		14	R0523000	KIT DRENAJE	
7	R0462901	KIT CUERPO FILTRO CS		15	WF000026	KIT VERSA PLUMB	
8	R0756000	MANÓMETRO BAR-PSI					

CODIGO **WF000024, WF000025**DESCRIPCION: **CS100 & CS150****OBSERVACIONES**

POS	CODIGO	OBSERVACIONES
4	* R0462201	PARA: WF000024
4	* R0462301	PARA: WF000025

CODE **WF000024, WF000025**

 DESCRIPTION: **CS100 & CS150**

FRANCAIS

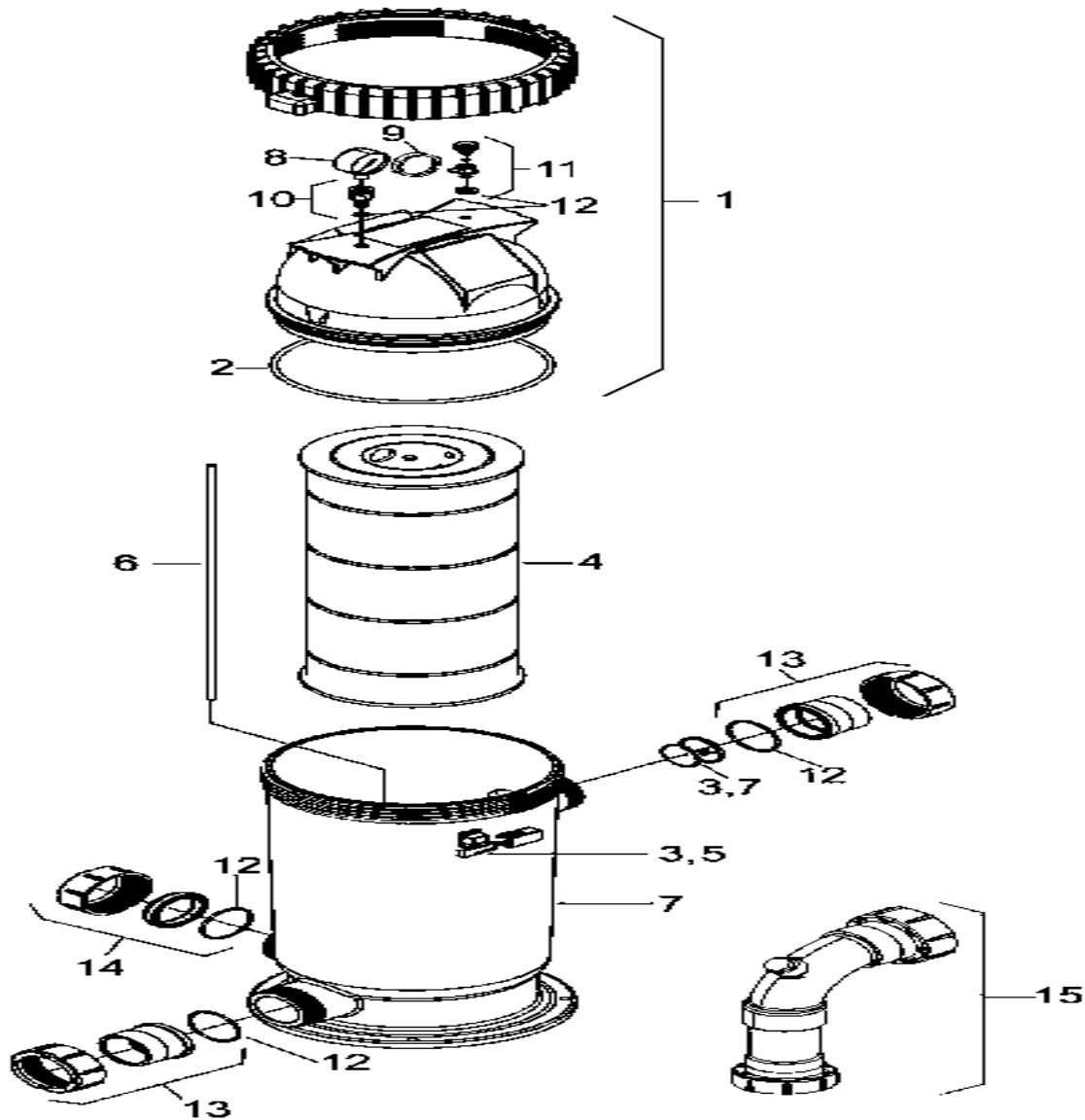
POS	CODE	DESCRIPTION	QUANTITE	POS	CODE	DESCRIPTION	QUANTITE
1	R0461901	KIT COUVERCLE, CS100 & CS150		9	R0468201	INDICATEUR DE NETTOYAGE ENCLIQUETA	
2	R0462701	JOINT CUVE		10	R0557101	KIT ADAPTATEUR POUR MANOMÈTRE	
3	R0462101	KIT DIFFUSEUR ET LOQUET DE VERROUIL		11	R0557201	KIT VIS DE PURGE D'AIR	
4	* R0462201	CARTOUCHE DE REMPLACEMENT, CS100		12	R0466301	KIT JOINTS	
4	* R0462301	CARTOUCHE DE REMPLACEMENT, CS150		13	R0771400	KIT RACCORDS UNION DN63/50 MM (2 PIÈC	
5	R0484101	LOQUET DE VERROUILLAGE		13	R0771401	KIT RACCORDS UNION 2" UK (2 PIÈCES, AJ	
6	R0462803	TUYAU DE PURGE D'AIR, CS100 & CS150		14	R0523000	KIT DRAIN	
7	R0462901	KIT CUVE, CS		15	WF000026	KIT VERSA PLUMB POUR INSTALLATION AV	
8	R0756000	MANOMÈTRE, BAR-PSI					

CODE **WF000024, WF000025**DESCRIPTION: **CS100 & CS150****OBSERVATIONS**

POS	CODE	OBSERVATIONS
4	* R0462201	POUR: WF000024
4	* R0462301	POUR: WF000025

CODE **WF000024, WF000025**

DESCRIPTION: **CS100 & CS150**



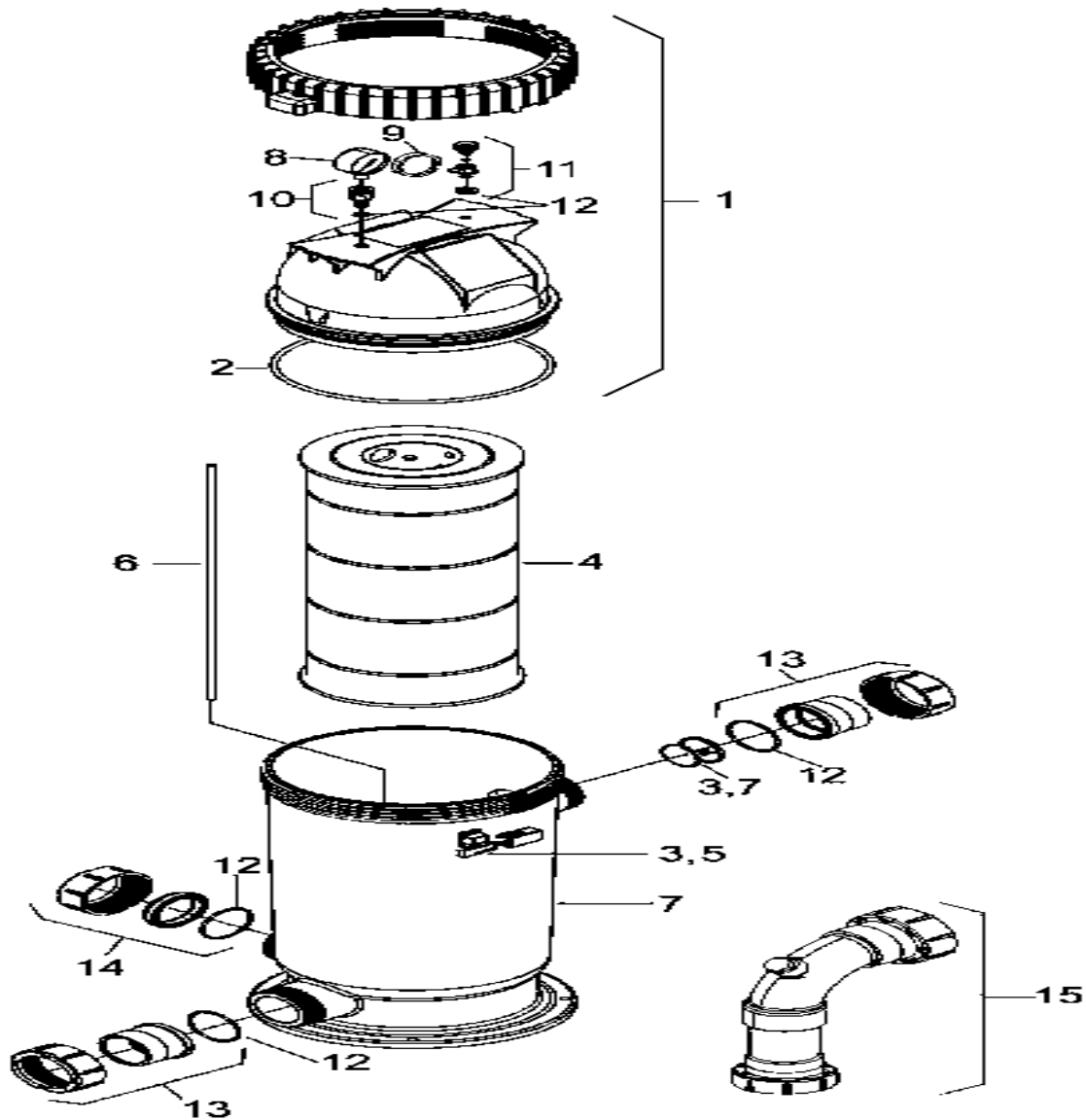
ENGLISH

POS	CODE	DESCRIPTION	QUANTITY	POS	CODE	DESCRIPTION	QUANTITY
1	R0461901	TOP HOUSING ASSEMBLY, CS100 & CS150		9	R0468201	INDICATOR SNAP RING	
2	R0462701	TANK ORING		10	R0557101	PRESSURE GAUGE ADAPTER ASSEMBLY	
3	R0462101	INLET DIFFUSER & LOCKING TAB KIT		11	R0557201	AIR RELIEF VALVE ASSEMBLY	
4	* R0462201	REPLACEMENT CARTRIDGE, CS100		12	R0466301	ORING SET (X3)	
4	* R0462301	REPLACEMENT CARTRIDGE, CS150		13	R0771400	63/50MM UNION TAILPIECE KIT (X2)	
5	R0484101	LOCKING TAB		13	R0771401	KIT RACCORDS UNION 2" UK (2 PIÈCES, AJ)	
6	R0462803	BREATHER TUBE, CS100 & CS150		14	R0523000	DRAIN CAP KIT	
7	R0462901	BOTTOM HOUSING ASSEMBLY, CS		15	WF000026	VERSA PLUMB® KIT FOR INSTALLATION W/	
8	R0756000	PRESSURE GAUGE, BAR-PSI					

CODE **WF000024, WF000025**DESCRIPTION: **CS100 & CS150****OBSERVATIONS**

POS	CODE	OBSERVATIONS
4	* R0462201	FOR: WF000024
4	* R0462301	FOR: WF000025

CODICE **WF000024, WF000025**

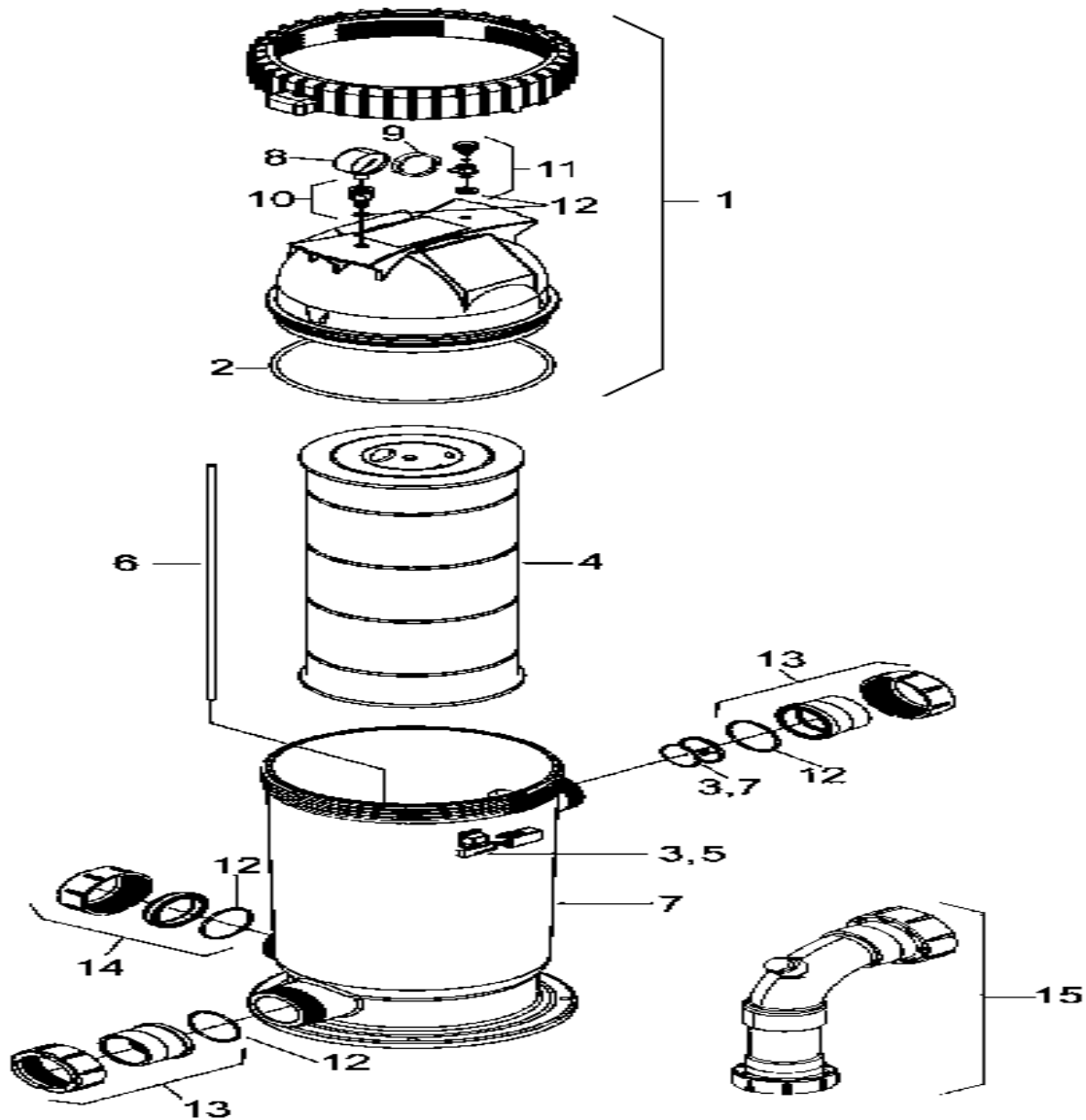
 DESCRIZIONE: **CS100 & CS150**

ITALIANO

POS	CODICE	DESCRIZIONE	QUANTITA'	POS	CODICE	DESCRIZIONE	QUANTITA'
1	R0461901	COPERCHIO SUPERIORE COMPLETO,		9	R0468201	ANELLO INDICATORE MANOMETRO	
2	R0462701	OR COPERCHIO		10	R0557101	ADATTATORE MANOMETRO	
3	R0462101	DIFFUSORE INGRESSO E KIT DI CH		11	R0557201	SFIATO ARIA	
4	* R0462201	CARTUCCIA DI RICAMBIO, CS100		12	R0466301	OR SET (X3)	
4	* R0462301	CARTUCCIA DI RICAMBIO, CS150		13	R0771400	KIT BOCCHETTONI 50/63MM (X2)	
5	R0484101	SISTEMA DI CHIUSURA		13	R0771401	RACCORD UNION 2" (UK)	
6	R0462803	TUBO DI SFIATO, CS100 E CS150		14	R0523000	KIT TAPPO DI SCARICO	
7	R0462901	CORPO FILTRO INF., CS		15	WF000026	KIT GOMITO VERSA PLUMB	
8	R0756000	MANOMETRO					

CODICE **WF000024, WF000025**DESCRIZIONE: **CS100 & CS150****OSSERVAZIONI**

POS	CODICE	OSSERVAZIONI
4	* R0462201	PER: WF000024
4	* R0462301	PER: WF000025

CODE **WF000024, WF000025**

 BESCHREIBUNG: **CS100 & CS150**

DEUTSCH

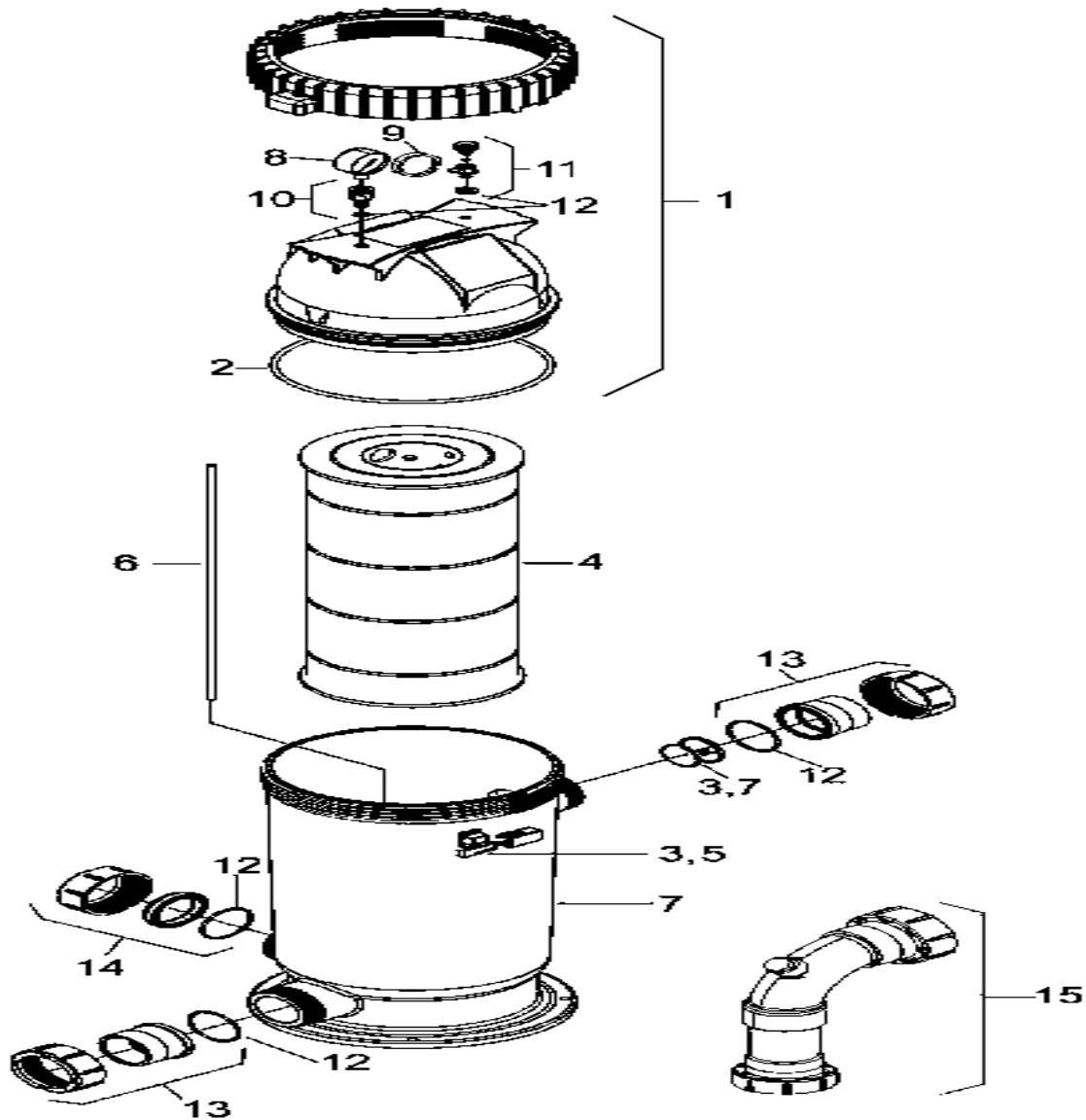
POS	CODE	BESCHREIBUNG	MENGE	POS	CODE	BESCHREIBUNG	MENGE
1	R0461901	TOP HOUSING ASSEMBLY, CS100 & CS150		9	R0468201	INDICATOR SNAP RING	
2	R0462701	TANK ORING		10	R0557101	PRESSURE GAUGE ADAPTER ASSEMBLY	
3	R0462101	INLET DIFFUSER & LOCKING TAB		11	R0557201	AIR RELIEF VALVE ASSEMBLY	
4	* R0462201	CS100 REPLACEMENT CARTRIDGE		12	R0466301	ORING SET (X3)	
4	* R0462301	FILTERKARTUSCHE FÜR CS150		13	R0771400	50 MM ID UNION ASSEMBLY EU	
5	R0484101	LOCKING TAB		13	R0771401	RACCORD UNION 2" (UK)	
6	R0462803	BREATHER TUBE, CS100 & CS150		14	R0523000	DRAIN CAP ASSEMBLY	
7	R0462901	BOTTOM HOUSING ASSEMBLY, CS FILTER		15	WF000026	VERSAPLUMB KIT CS EU	
8	R0756000	PRESSURE GAUGE, BAR-PSI					

CODE **WF000024, WF000025**BESCHREIBUNG: **CS100 & CS150****HINWEISE**

POS	CODE	HINWEISE
4	* R0462201	FÜR: WF000024
4	* R0462301	FÜR: WF000025

CODIGO **WF000024, WF000025**

DESCRIÇÃO: **CS100 & CS150**



PORTUGUES

POS	CODIGO	DESCRIÇÃO	JANTIDADE	POS	CODIGO	DESCRIÇÃO	JANTIDADE
1	R0461901	TOP HOUSING ASSEMBLY, CS100 & CS150		9	R0468201	INDICATOR SNAP RING	
2	R0462701	TANK ORING		10	R0557101	PRESSURE GAUGE ADAPTER ASSEMBLY	
3	R0462101	INLET DIFFUSER & LOCKING TAB		11	R0557201	AIR RELIEF VALVE ASSEMBLY	
4	* R0462201	CS100 REPLACEMENT CARTRIDGE		12	R0466301	ORING SET (X3)	
4	* R0462301	CS150 REPLACEMENT CARTRIDGE		13	R0771400	50 MM ID UNION ASSEMBLY EU	
5	R0484101	LOCKING TAB		13	R0771401	RACCORD UNION 2" (UK)	
6	R0462803	BREATHER TUBE, CS100 & CS150		14	R0523000	DRAIN CAP ASSEMBLY	
7	R0462901	BOTTOM HOUSING ASSEMBLY, CS FILTER		15	WF000026	VERSAPLUMB KIT CS EU	
8	R0756000	PRESSURE GAUGE, BAR-PSI					

CODIGO **WF000024, WF000025**DESCRIÇÃO: **CS100 & CS150****OBSERVACÕES**

POS	CODIGO	OBSERVACÕES
4	* R0462201	PARA: WF000024
4	* R0462301	PARA: WF000025