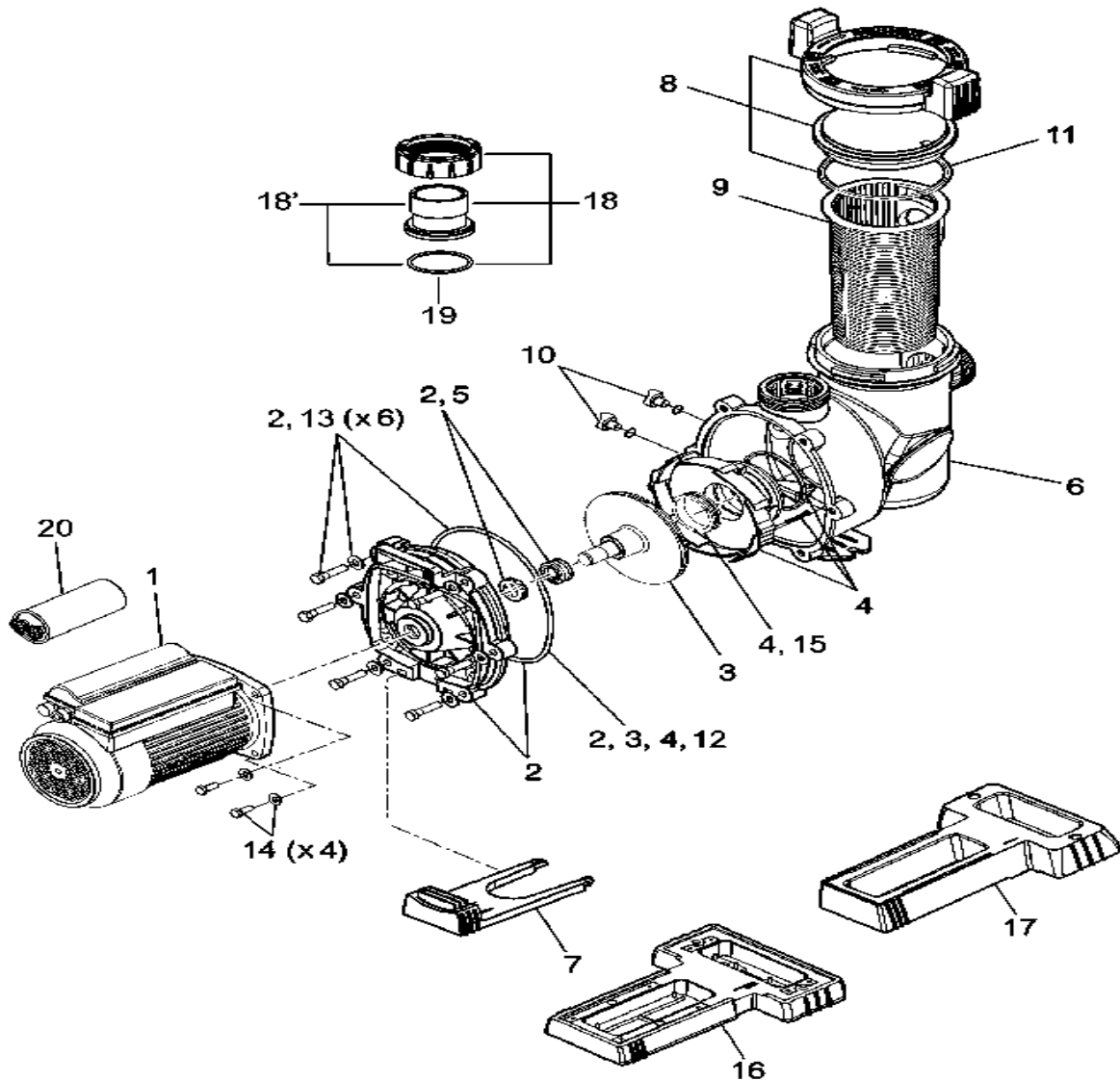


CODIGO **WP000147, WP000148, WP000149, WP000150, WP000151, WP000152, WP000153, WP000154, WP000155**

DESCRIPCION: **FLOPRO™**



## ESPAÑOL

POS	CODIGO	DESCRIPCION	CANTIDAD	POS	CODIGO	DESCRIPCION	CANTIDAD
1	* R0770601	MOTOR BOMBA FHP 50M & 75M		5	R0728500	SELLO MECÁNICO	
1	* R0770602	MOTOR BOMBA FHP 75T		6	R0479801	CUERPO BOMBA FHP	
1	* R0770603	MOTOR BOMBA FHP 100M		7	* R0479901	PIE BOMBA FLOPRO E3	
1	* R0770604	MOTOR BOMBA FHP 100T		7	* R0479904	PIE BOMBA FHP 75T & 100T	
1	* R0770605	MOTOR BOMBA FHP 150M		7	* R0479905	PIE BOMBA FHP 50M & 75M	
1	* R0770606	MOTOR BOMBA FHP 150T		8	R0480001	KIT TAPA PREFILTRO FHP (+ JUNTA)	
1	* R0770607	MOTOR BOMBA FHP 200M		9	R0480101	CESTO PREFILTRO FHP	
1	* R0770608	MOTOR BOMBA FHP 200T		10	R0446001	KIT TAPONES DE VACIADO (+ JUNTAS, X 2L	
2	R0479501	KIT PLACA TRASERA FLOPRO		11	R0480201	JUNTA TAPA PREFILTRO (PASADORES, AR/	
3	* R0757700	TURBINA FHP 50 (+ JUNTA PLACA TRASER		12	R0480301	JUNTA TAPA TRASERA FHP	
3	* R0757800	TURBINA FHP 75 (+ JUNTA PLACA TRASER		13	R0480501	TORNILLERÍA MOTOR PLACA TRASERA (PA	
3	* R0757900	TURBINA FLOPRO E3 100		14	R0446702	TORNILLERÍA MOTOR (PASADORES & ARA	

CODIGO **WP000147, WP000148, WP000149, WP000150, WP000151, WP000152,  
WP000153, WP000154, WP000155**

DESCRIPCION: **FLOPRO™**

3	* R0758000	TURBINA FHP 150 (+ JUNTA PLACA TRASE	15	R0746800	ANILLO TURBINA FHP
3	* R0758100	TURBINA FHP 200 (+ JUNTA PLACA TRASE	16	R0486701	ZÓCALO BOMBA BAJO
4	W0479700	KIT DIFUSOR FLOPRO E3 100	17	R0546401	ZÓCALO BOMBA ALTO
18	R0728700	KIT RACORS UNIÓN DN63/50 MM (2 UN.)	20	* R0792400	CONDENSADOR 25µF FHP 100M
18	R0792700	KIT RACORS UNIÓN 2" UK (X2, SIN TUERC.	20	* R0792500	CONDENSADOR 35µF FHP 150M
19	R0728800	KIT JUNTAS DE UNIÓN (2 UN.)	20	* R0792600	CONDENSADOR 45µF FHP 200M
20	* R0792300	CONDENSADOR 12µF FHP 50M & 75M	N/S	71840	2 "-1,5" ROSCADO REDUCTOR PARA RETR

**CODIGO**                    **WP000147, WP000148, WP000149, WP000150, WP000151, WP000152,  
WP000153, WP000154, WP000155**

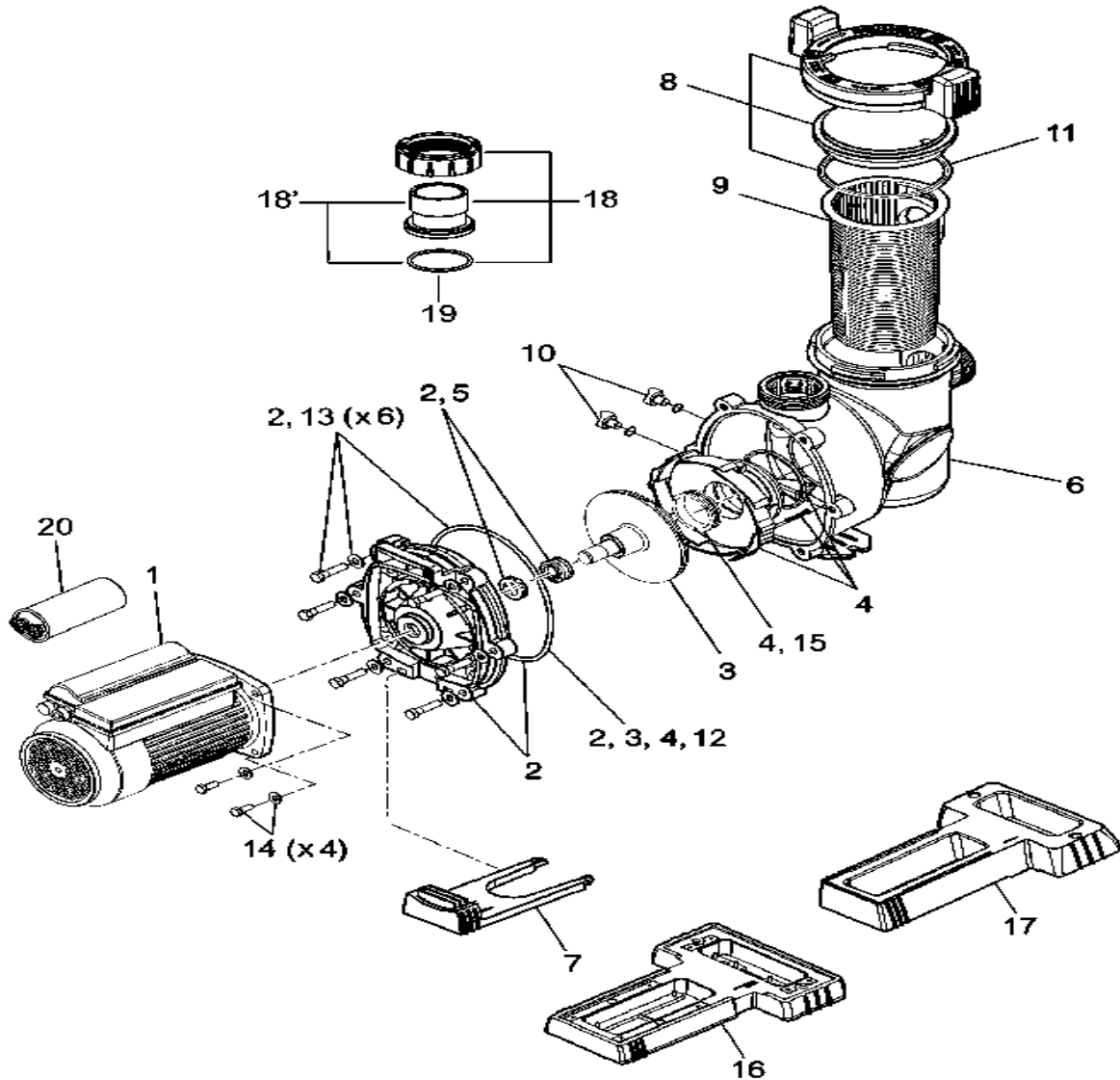
**DESCRIPCION: FLOPRO™**

**OBSERVACIONES**

POS	CODIGO	OBSERVACIONES
1	* R0770601	PARA: WP000147, WP000148
1	* R0770602	PARA: WP000149
1	* R0770603	PARA: WP000150
1	* R0770604	PARA: WP000151
1	* R0770605	PARA: WP000152
1	* R0770606	PARA: WP000153
1	* R0770607	PARA: WP000154
1	* R0770608	PARA: WP000155
3	* R0757700	PARA: WP000147
3	* R0757800	PARA: WP000148, WP000149
3	* R0757900	PARA: WP000150, WP000151
3	* R0758000	PARA: WP000152, WP000153
3	* R0758100	PARA: WP000154, WP000155
7	* R0479901	PARA: WP000150, WP000152, WP000153, WP000154, WP000155
7	* R0479904	PARA: WP000149, WP000151
7	* R0479905	PARA: WP000147, WP000148
20	* R0792300	PARA: WP000147, WP000148
20	* R0792400	PARA: WP000150
20	* R0792500	PARA: WP000152
20	* R0792600	PARA: WP000154

CODE WP000147, WP000148, WP000149, WP000150, WP000151, WP000152,  
 WP000153, WP000154, WP000155

DESCRIPTION: FLOPRO™



## FRANCAIS

POS	CODE	DESCRIPTION	QUANTITE	POS	CODE	DESCRIPTION	QUANTITE
1	* R0770601	MOTEUR POMPE FHP 50M & 75M		5	R0728500	GARNITURE MÉCANIQUE FHP	
1	* R0770602	MOTEUR POMPE FHP 75T		6	R0479801	CUERPO POMPE FHP	
1	* R0770603	MOTEUR POMPE FHP 100M		7	* R0479901	PIED POMPE FHP 100M, 150M, 200M, 150T,	
1	* R0770604	MOTEUR POMPE FHP 100T		7	* R0479904	PIED POMPE FHP 75T & 100T	
1	* R0770605	MOTEUR POMPE FHP 150M		7	* R0479905	PIED POMPE FHP 50M & 75M	
1	* R0770606	MOTEUR POMPE FHP 150T		8	R0480001	KIT COUVERCLE PRÉFILTRE FHP (+ JOINT)	
1	* R0770607	MOTEUR POMPE FHP 200M		9	R0480101	PANIER PRÉFILTRE FHP	
1	* R0770608	MOTEUR POMPE FHP 200T		10	R0446001	KIT BOUCHONS DE VIDANGE (+ JOINTS, X2	
2	R0479501	KIT PLAQUE ARRIÈRE FHP (+ VISSERIE, JC		11	R0480201	JOINT COUVERCLE PRÉFILTRE	
3	* R0757700	TURBINE FHP 50 (+ JOINT PLAQUE ARRIÈR		12	R0480301	JOINT PLAQUE ARRIÈRE FHP	
3	* R0757800	TURBINE FHP 75 (+ JOINT PLAQUE ARRIÈR		13	R0480501	VISSERIE PLAQUE ARRIÈRE (BOULONS, R	
3	* R0757900	TURBINE FHP 100 (+ JOINT PLAQUE ARRIÈ		14	R0446702	VISSERIE MOTEUR (BOULONS & RONDELL	

\* VOIR FICHE D'OBSERVATIONS

CODE **WP000147, WP000148, WP000149, WP000150, WP000151, WP000152,  
WP000153, WP000154, WP000155**

DESCRIPTION: **FLOPRO™**

3	* R0758000	TURBINE FHP 150 (+ JOINT PLAQUE ARRIÈ	15	R0746800	BAGUE DE ROTATION FHP
3	* R0758100	TURBINE FHP 200 (+ JOINT PLAQUE ARRIÈ	16	R0486701	SOCLE POMPE FIN
4	W0479700	DIFFUSEUR FHP (+ VIS & JOINTS)	17	R0546401	SOCLE POMPE ÉPAIS
18	R0728700	KIT RACCORDS UNION DN63/50 MM (2 PIÈ	20	* R0792400	CONDENSATEUR 25µF FHP 100M
18	R0792700	KIT RACCORDS UNION 2" UK (2 PIÈCES, S.	20	* R0792500	CONDENSATEUR 35µF FHP 150M
19	R0728800	KIT JOINTS RACCORD UNION (X2)	20	* R0792600	CONDENSATEUR 45µF FHP 200M
20	* R0792300	CONDENSATEUR 12µF FHP 50M & 75M	N/S	71840	RÉDUCTEUR FILETÉ 2"-1.5" SPÉCIFIQUE P

CODE **WP000147, WP000148, WP000149, WP000150, WP000151, WP000152,  
WP000153, WP000154, WP000155**

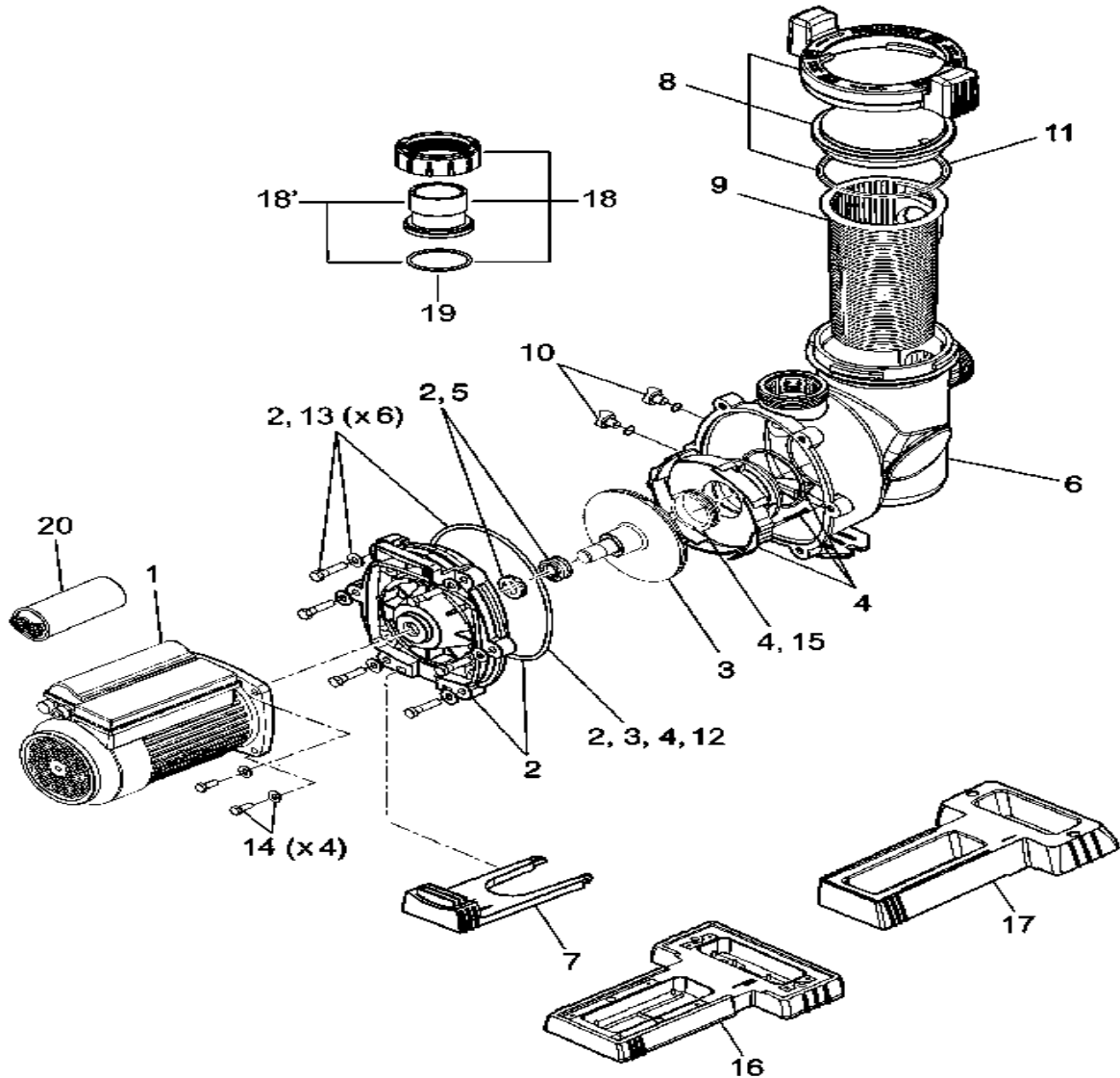
DESCRIPTION: **FLOPRO™**

**OBSERVATIONS**

POS	CODE	OBSERVATIONS
1	* R0770601	POUR: WP000147, WP000148
1	* R0770602	POUR: WP000149
1	* R0770603	POUR: WP000150
1	* R0770604	POUR: WP000151
1	* R0770605	POUR: WP000152
1	* R0770606	POUR: WP000153
1	* R0770607	POUR: WP000154
1	* R0770608	POUR: WP000155
3	* R0757700	POUR: WP000147
3	* R0757800	POUR: WP000148, WP000149
3	* R0757900	POUR: WP000150, WP000151
3	* R0758000	POUR: WP000152, WP000153
3	* R0758100	POUR: WP000154, WP000155
7	* R0479901	POUR: WP000150, WP000152, WP000153, WP000154, WP000155
7	* R0479904	POUR: WP000149, WP000151
7	* R0479905	POUR: WP000147, WP000148
20	* R0792300	POUR: WP000147, WP000148
20	* R0792400	POUR: WP000150
20	* R0792500	POUR: WP000152
20	* R0792600	POUR: WP000154

CODE WP000147, WP000148, WP000149, WP000150, WP000151, WP000152,  
WP000153, WP000154, WP000155

DESCRIPTION: FLOPRO™



**ENGLISH**

POS	CODE	DESCRIPTION	QUANTITY	POS	CODE	DESCRIPTION	QUANTITY
1	* R0770601	PUMP MOTOR FHP 50M & 75M		5	R0728500	MECHANICAL SEAL FHP (SET)	
1	* R0770602	PUMP MOTOR FHP 75T		6	R0479801	PUMP BODY FHP	
1	* R0770603	PUMP MOTOR FHP 100M		7	* R0479901	MOTOR MOUNTING FOOT FHP 100M, 150M	
1	* R0770604	PUMP MOTOR FHP 100T		7	* R0479904	MOTOR MOUNTING FOOT FHP 75T & 100T	
1	* R0770605	PUMP MOTOR FHP 150M		7	* R0479905	MOTOR MOUNTING FOOT FHP 50M & 75M	
1	* R0770606	PUMP MOTOR FHP 150T		8	R0480001	LID FHP (WITH LOCKING RING & ORING)	
1	* R0770607	PUMP MOTOR FHP 200M		9	R0480101	FILTER BASKET FHP	
1	* R0770608	PUMP MOTOR FHP 200T		10	R0446001	DRAIN PLUG WITH ORING (SET OF 2)	
2	R0479501	BACKPLATE KIT FHP (WITH HARDWARE, C		11	R0480201	LID ORING	
3	* R0757700	IMPELLER FHP 50 (W/ BACKPLATE ORING)		12	R0480301	BACKPLATE ORING FHP	
3	* R0757800	IMPELLER FHP 75 (W/ BACKPLATE ORING)		13	R0480501	BACKPLATE HARDWARE (BOLTS, WASHER	
3	* R0757900	IMPELLER FHP 100 (W/ BACKPLATE ORING)		14	R0446702	MOTOR BOLTS & WASHERS	

\* SEE OBSERVATIONS SHEET

CODE **WP000147, WP000148, WP000149, WP000150, WP000151, WP000152, WP000153, WP000154, WP000155**

DESCRIPTION: **FLOPRO™**

3	* R0758000	IMPELLER FHP 150 (W/ BACKPLATE ORING)	15	R0746800	FHP SLIP RING
3	* R0758100	IMPELLER FHP 200 (W/ BACKPLATE ORING)	16	R0486701	SMALL PUMP BASE
4	W0479700	DIFFUSER FHP (WITH ORING, HARDWARE)	17	R0546401	LARGE PUMP BASE
18	R0728700	63/50MM UNION TAILPIECE KIT (X2)	20	* R0792400	CONDENSER 25µF FHP 100M
18	R0792700	2" UK UNION TAILPIECE KIT (X2, WITHOUT)	20	* R0792500	CONDENSER 35µF FHP 150M
19	R0728800	TAILPIECE ORING KIT (X2)	20	* R0792600	CONDENSER 45µF FHP 200M
20	* R0792300	CONDENSER 12µF FHP 50M & 75M	N/S	71840	2"-1.5" THREADED REDUCER FOR RETROF



CODE                    **WP000147, WP000148, WP000149, WP000150, WP000151, WP000152,  
WP000153, WP000154, WP000155**

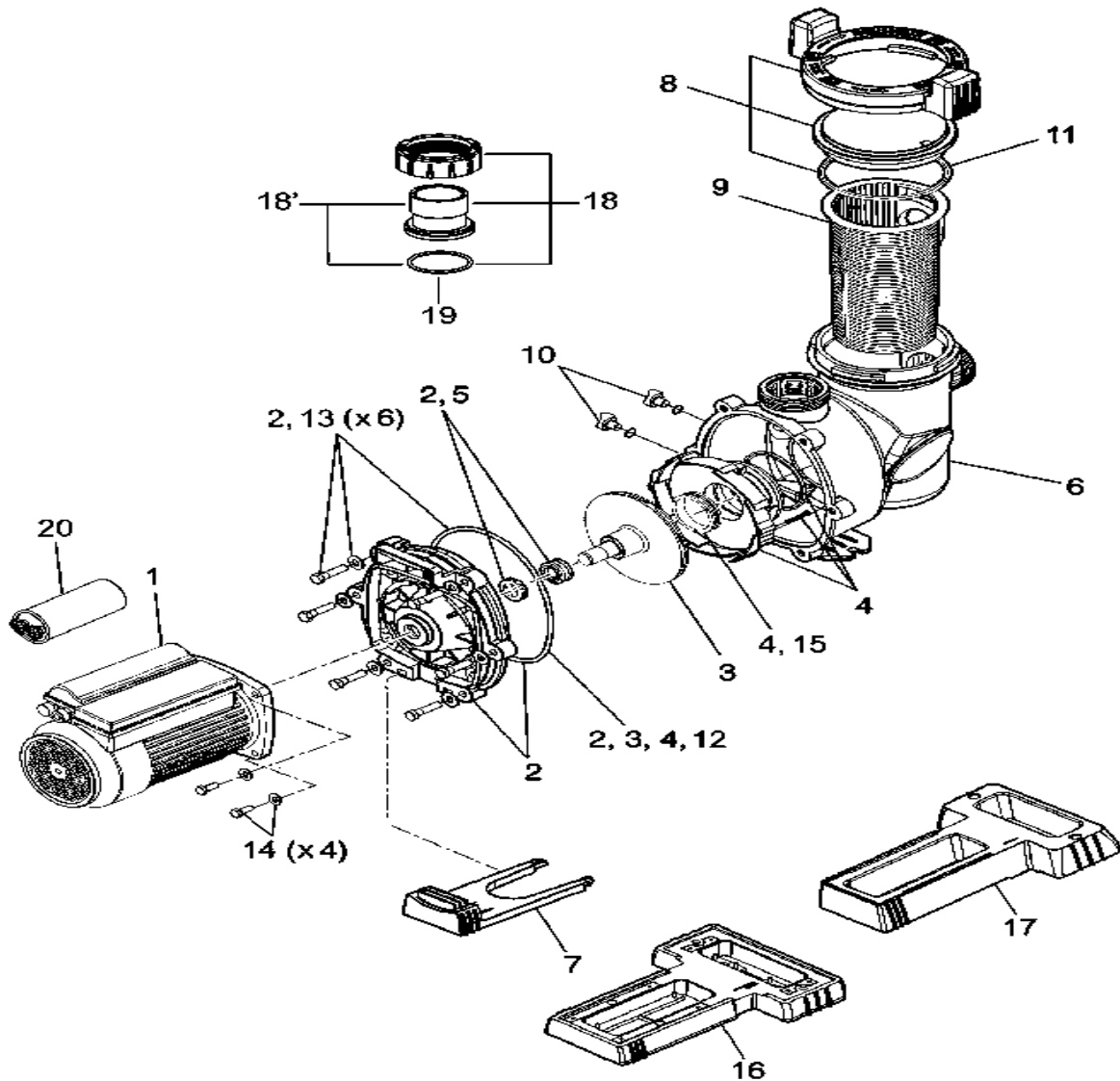
DESCRIPTION: **FLOPRO™**

## OBSERVATIONS

POS	CODE	OBSERVATIONS
1	* R0770601	FOR: WP000147, WP000148
1	* R0770602	FOR: WP000149
1	* R0770603	FOR: WP000150
1	* R0770604	FOR: WP000151
1	* R0770605	FOR: WP000152
1	* R0770606	FOR: WP000153
1	* R0770607	FOR: WP000154
1	* R0770608	FOR: WP000155
3	* R0757700	FOR: WP000147
3	* R0757800	FOR: WP000148, WP000149
3	* R0757900	FOR: WP000150, WP000151
3	* R0758000	FOR: WP000152, WP000153
3	* R0758100	FOR: WP000154, WP000155
7	* R0479901	FOR: WP000150, WP000152, WP000153, WP000154, WP000155
7	* R0479904	FOR: WP000149, WP000151
7	* R0479905	FOR: WP000147, WP000148
20	* R0792300	FOR: WP000147, WP000148
20	* R0792400	FOR: WP000150
20	* R0792500	FOR: WP000152
20	* R0792600	FOR: WP000154

CODICE WP000147, WP000148, WP000149, WP000150, WP000151, WP000152,  
 WP000153, WP000154, WP000155

DESCRIZIONE: FLOPRO™



### ITALIANO

POS	CODICE	DESCRIZIONE	QUANTITA'	POS	CODICE	DESCRIZIONE	QUANTITA'
1	* R0770601	MOTORE FLOPRO 50M E 75M		5	R0728500	TENUTA MECCANICA FLOPRO	
1	* R0770602	MOTORE FLOPRO 75T		6	R0479801	PUMP BODY (BODY & BACKPLATE O-RING)	
1	* R0770603	MOTORE FLOPRO 100M		7	* R0479901	PIEDE POMPA FLOPRO E3	
1	* R0770604	MOTORE FLOPRO 100T		7	* R0479904	SUPPORTO POMPA FLOPRO 75T, 100	
1	* R0770605	MOTORE FLOPRO 150M		7	* R0479905	SUPPORTO POMPA FLOPRO 50M, 75M	
1	* R0770606	MOTORE FLOPRO 150M		8	R0480001	KIT COPERCHIO PREFILTRO FLOPRO	
1	* R0770607	MOTORE FLOPRO 200M		9	R0480101	CESTELLO PREFILTRO FLOPRO E3/T	
1	* R0770608	MOTORE FLOPRO 200T		10	R0446001	KIT SPINE DI SVUOTAMENTO (*2)	
2	R0479501	BACKPLATE (BACKPLATE W/ HARDWARE,		11	R0480201	ANELLO COPERCHIO PREFILTRO	
3	* R0757700	GIRANTE FLOPRO 50		12	R0480301	ANELLO PIASTRA INFERIORE FLOPR	
3	* R0757800	GIRANTE FLOPRO 75		13	R0480501	VITI PIASTRA INFERIORE FLOPRO	
3	* R0757900	GIRANTE FLOPRO 100		14	R0446702	VITI MOTORE FLOPRO	

\* SI FACCIA RIFERIMENTO AL FOGLIO DELLE OSSERVAZIONI

CODICE **WP000147, WP000148, WP000149, WP000150, WP000151, WP000152,  
WP000153, WP000154, WP000155**

DESCRIZIONE: **FLOPRO™**

3	* R0758000	GIRANTE FLOPRO 150	15	R0746800	ANELLO GIRANTE FLOPRO
3	* R0758100	GIRANTE FLOPRO 200	16	R0486701	BASE BASSA POMPA
4	W0479700	KIT DIFFUSORE FLOPRO E3 100	17	R0546401	BASE ALTA POMPA
18	R0728700	KIT RACCORDI 63/50 MM (*2)	20	* R0792400	CAPACITOR, 750W MOTOR, 25MFD, REPLA
18'	R0792700	NOT DEFINED	20	* R0792500	CAPACITOR, 1100W MOTOR, 35MFD, REPL
19	R0728800	KIT OR BOCCHETTONE (*2)	20	* R0792600	CAPACITOR, 1500W MOTOR, 45MFD, REPL
20	* R0792300	CAPACITOR, , PLACEMENT	N/S	71840	NOT DEFINED

**CODICE**                    **WP000147, WP000148, WP000149, WP000150, WP000151, WP000152,**  
**WP000153, WP000154, WP000155**

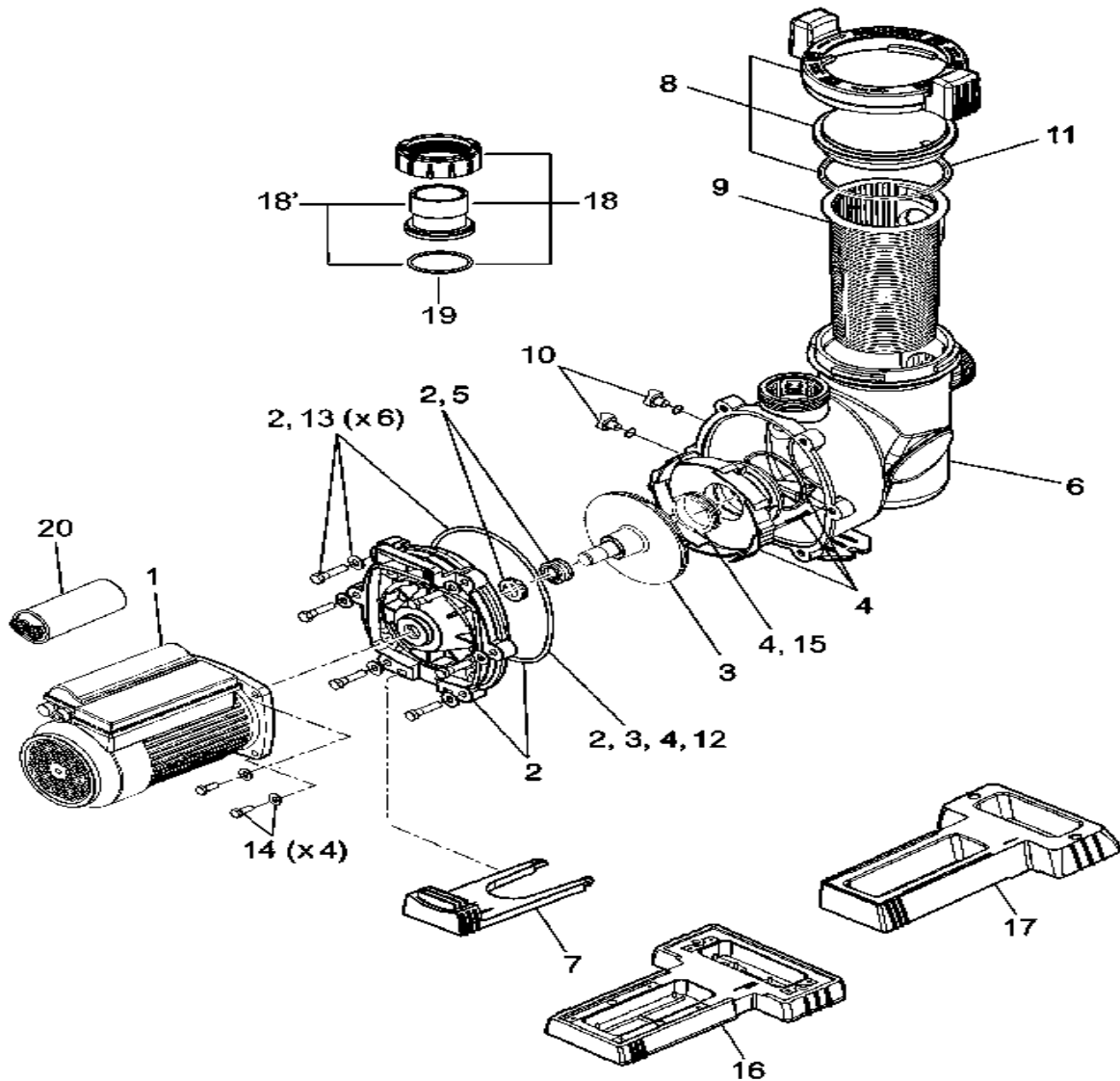
**DESCRIZIONE: FLOPRO™**

**OSSERVAZIONI**

POS	CODICE	OSSERVAZIONI
1	* R0770601	PER: WP000147, WP000148
1	* R0770602	PER: WP000149
1	* R0770603	PER: WP000150
1	* R0770604	PER: WP000151
1	* R0770605	PER: WP000152
1	* R0770606	PER: WP000153
1	* R0770607	PER: WP000154
1	* R0770608	PER: WP000155
3	* R0757700	PER: WP000147
3	* R0757800	PER: WP000148, WP000149
3	* R0757900	PER: WP000150, WP000151
3	* R0758000	PER: WP000152, WP000153
3	* R0758100	PER: WP000154, WP000155
7	* R0479901	PER: WP000150, WP000152, WP000153, WP000154, WP000155
7	* R0479904	PER: WP000149, WP000151
7	* R0479905	PER: WP000147, WP000148
20	* R0792300	PER: WP000147, WP000148
20	* R0792400	PER: WP000150
20	* R0792500	PER: WP000152
20	* R0792600	PER: WP000154

CODE WP000147, WP000148, WP000149, WP000150, WP000151, WP000152,  
WP000153, WP000154, WP000155

BESCHREIBUNG: FLOPRO™



## DEUTSCH

POS	CODE	BESCHREIBUNG	MENGE	POS	CODE	BESCHREIBUNG	MENGE
1	* R0770601	MOTOREINHEIT FLOPRO 50M/75M		5	R0728500	GLEITRINGDICHTUNG FP	
1	* R0770602	MOTOREINHEIT FLOPRO 75T		6	R0479801	PUMP BODY (BODY & BACKPLATE O-RING)	
1	* R0770603	MOTOREINHEIT FLOPRO 100M		7	* R0479901	PUMPENFUß FP	
1	* R0770604	MOTOREINHEIT FLOPRO 100T		7	* R0479904	PUMPENFUß 75T/100T FP	
1	* R0770605	MOTOREINHEIT FLOPRO 150M		7	* R0479905	PUMPENFUß 50M/75M FP	
1	* R0770606	MOTOREINHEIT FLOPRO 150T		8	R0480001	DECKEL+DICHTUNG+RING FP	
1	* R0770607	MOTOREINHEIT FLOPRO 200M		9	R0480101	VORFILTERSIEB FP	
1	* R0770608	MOTOREINHEIT FLOPRO 200T		10	R0446001	ABLASSSCHRAUBE M. O-RING FP	
2	R0479501	GEHÄUSEDECKELSET FP		11	R0480201	VORFILTERDICHTUNG FP	
3	* R0757700	LAUFRAD F. PUMPE FLOPRO 50		12	R0480301	GEHÄUSEDICHTUNG FP	
3	* R0757800	LAUFRAD F. PUMPE FLOPRO 75		13	R0480501	SCHRAUBE+MUTTER+DICHTUNG FP	
3	* R0757900	LAUFRAD PUMPE FLOPRO 100 / E3		14	R0446702	SCHRAUBENSET+MUTTER FP	

\* SIEHE ANMERKUNGSBLATT

CODE **WP000147, WP000148, WP000149, WP000150, WP000151, WP000152,  
WP000153, WP000154, WP000155**

BESCHREIBUNG: **FLOPRO™**

3	* R0758000	LAUFRAD F. PUMPE FLOPRO 150	15	R0746800	LAUFRADFÜHRUNGSRING FP
3	* R0758100	LAUFRAD F. PUMPE FLOPRO 200	16	R0486701	SOCKEL FLACH FP
4	W0479700	UMKEHRLEITRAD U. DICHTUNG FP	17	R0546401	SOCKEL HOCH FP
18	R0728700	ANSCHLUSSKIT 63/50 FLOPRO	20	* R0792400	KONDENSATOR 25µF, 750W, FP
18'	R0792700	NOT DEFINED	20	* R0792500	KONDENSATOR 35µF, 1100W, FP
19	R0728800	O-RING F. VERSCHRAUBUNG FP	20	* R0792600	KONDENSATOR 45µF, 1500W, FP
20	* R0792300	KONDENSATOR 12µF, 550W, FP	N/S	71840	NOT DEFINED

CODE **WP000147, WP000148, WP000149, WP000150, WP000151, WP000152,  
WP000153, WP000154, WP000155**

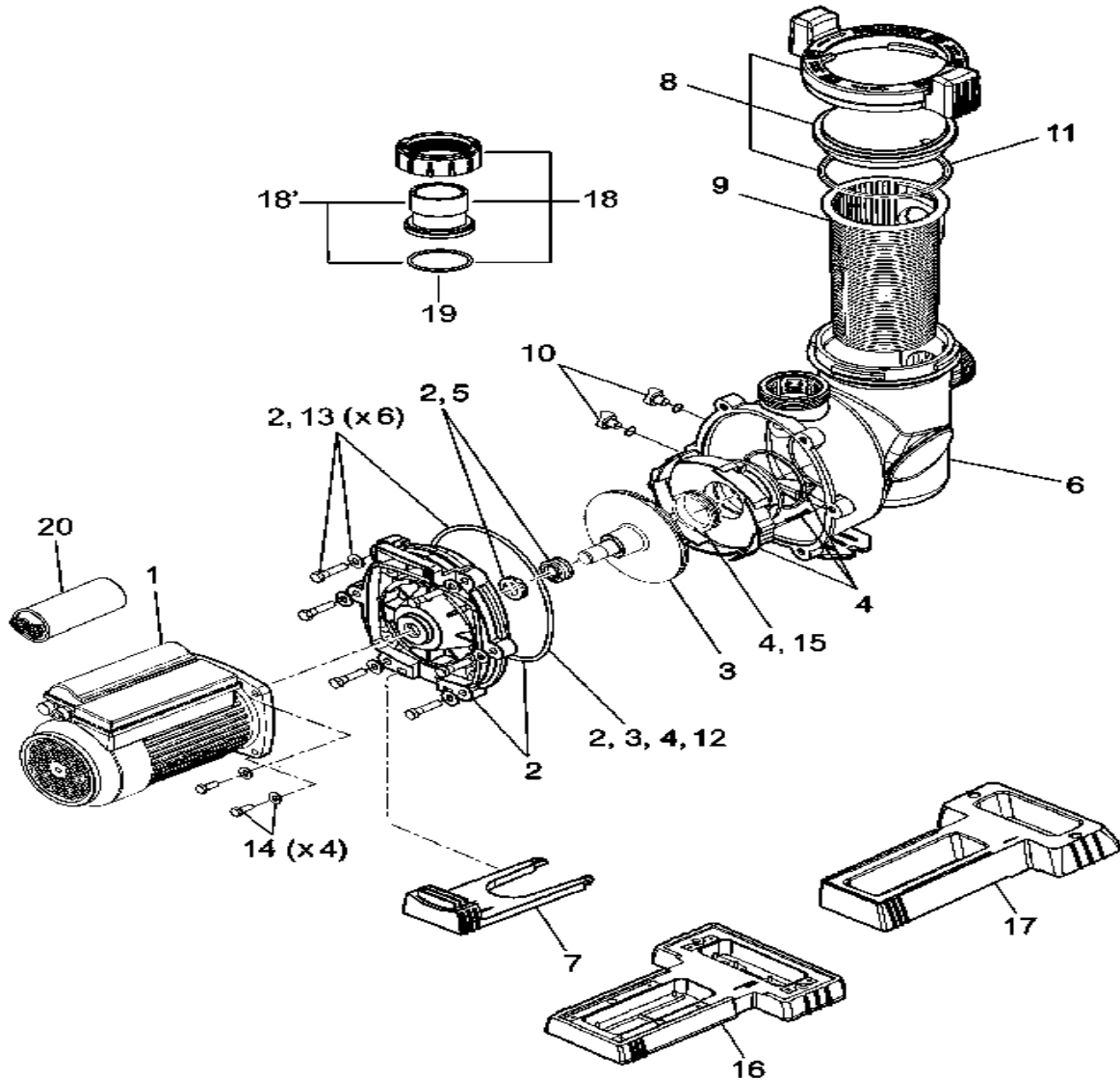
BESCHREIBUNG: **FLOPRO™**

**HINWEISE**

POS	CODE	HINWEISE
1	* R0770601	FÜR: WP000147, WP000148
1	* R0770602	FÜR: WP000149
1	* R0770603	FÜR: WP000150
1	* R0770604	FÜR: WP000151
1	* R0770605	FÜR: WP000152
1	* R0770606	FÜR: WP000153
1	* R0770607	FÜR: WP000154
1	* R0770608	FÜR: WP000155
3	* R0757700	FÜR: WP000147
3	* R0757800	FÜR: WP000148, WP000149
3	* R0757900	FÜR: WP000150, WP000151
3	* R0758000	FÜR: WP000152, WP000153
3	* R0758100	FÜR: WP000154, WP000155
7	* R0479901	FÜR: WP000150, WP000152, WP000153, WP000154, WP000155
7	* R0479904	FÜR: WP000149, WP000151
7	* R0479905	FÜR: WP000147, WP000148
20	* R0792300	FÜR: WP000147, WP000148
20	* R0792400	FÜR: WP000150
20	* R0792500	FÜR: WP000152
20	* R0792600	FÜR: WP000154

CODIGO **WP000147, WP000148, WP000149, WP000150, WP000151, WP000152, WP000153, WP000154, WP000155**

DESCRIÇÃO: **FLOPRO™**



### PORTUGUES

POS	CODIGO	DESCRIÇÃO	JANTIDADE	POS	CODIGO	DESCRIÇÃO	JANTIDADE
1	* R0770601	PUMP MOTOR ASSEMBLY, 550W, FLOPRO		5	R0728500	SELO MECANICO	
1	* R0770602	PUMP MOTOR ASSEMBLY, 550W, FLOPRO		6	R0479801	PUMP BODY (BODY & BACKPLATE O-RING)	
1	* R0770603	PUMP MOTOR ASSEMBLY, 750W, FLOPRO		7	* R0479901	MOTOR MOUNTING FOOT FLOPRO	
1	* R0770604	PUMP MOTOR ASSEMBLY, 750W, FLOPRO		7	* R0479904	MOTOR MOUNTING FOOT FLOPRO 75T & 1	
1	* R0770605	PUMP MOTOR ASSEMBLY, 1100 W, FLOPR		7	* R0479905	MOTOR MOUNTING FOOT FLOPRO 50M & 7	
1	* R0770606	PUMP MOTOR ASSEMBLY, 1100W, FLOPRC		8	R0480001	KIT TAMPA PREFILTRO FHP+JUNTA	
1	* R0770607	PUMP MOTOR ASSEMBLY, 1500W, FLOPRC		9	R0480101	CESTO PREFILTRO FLOPRO	
1	* R0770608	PUMP MOTOR ASSEMBLY, 1500W, FLOPRC		10	R0446001	DRAIN PLUG W/ O-RING (SET OF 2)	
2	R0479501	KIT PLACA TRASEIRA FLOPRO		11	R0480201	LID O-RING	
3	* R0757700	TURBINA FHP 50 (+ JUNTA)		12	R0480301	BACKPLATE O-RING	
3	* R0757800	TURBINA FHP 75 (+ JUNTA)		13	R0480501	BACKPLATE HARDWARE (BACKPLATE HAR	
3	* R0757900	TURBINA FHP 100 (+ JUNTA)		14	R0446702	MOTOR HARDWARE KIT	



CODIGO **WP000147, WP000148, WP000149, WP000150, WP000151, WP000152,  
WP000153, WP000154, WP000155**

DESCRIÇÃO: **FLOPRO™**

3	* R0758000	TURBINA FLOPRO 150 (+JUNTA)	15	R0746800	FLOPRO ANEL TURBINA
3	* R0758100	TURBINA FHP 200 (+ JUNTA)	16	R0486701	BASE BOMBA BAIXA
4	W0479700	FLOPRO DIFUSOR	17	R0546401	BASE BOMBA ALTA
18	R0728700	KIT RACORS UNIÃO DN63/50 MM(2)	20	* R0792400	CAPACITOR, 750W MOTOR, 25MFD, REPLA
18	R0792700	NOT DEFINED	20	* R0792500	CAPACITOR, 1100W MOTOR, 35MFD, REPL
19	R0728800	KIT JUNTAS UNIAO (X2)	20	* R0792600	CAPACITOR, 1500W MOTOR, 45MFD, REPL
20	* R0792300	CAPACITOR, PLACEMENT	N/S	71840	NOT DEFINED

**CODIGO**                    **WP000147, WP000148, WP000149, WP000150, WP000151, WP000152,  
WP000153, WP000154, WP000155**

**DESCRIÇÃO: FLOPRO™**

**OBSERVAÇÕES**

POS	CODIGO	OBSERVAÇÕES
1	* R0770601	PARA: WP000147, WP000148
1	* R0770602	PARA: WP000149
1	* R0770603	PARA: WP000150
1	* R0770604	PARA: WP000151
1	* R0770605	PARA: WP000152
1	* R0770606	PARA: WP000153
1	* R0770607	PARA: WP000154
1	* R0770608	PARA: WP000155
3	* R0757700	PARA: WP000147
3	* R0757800	PARA: WP000148, WP000149
3	* R0757900	PARA: WP000150, WP000151
3	* R0758000	PARA: WP000152, WP000153
3	* R0758100	PARA: WP000154, WP000155
7	* R0479901	PARA: WP000150, WP000152, WP000153, WP000154, WP000155
7	* R0479904	PARA: WP000149, WP000151
7	* R0479905	PARA: WP000147, WP000148
20	* R0792300	PARA: WP000147, WP000148
20	* R0792400	PARA: WP000150
20	* R0792500	PARA: WP000152
20	* R0792600	PARA: WP000154