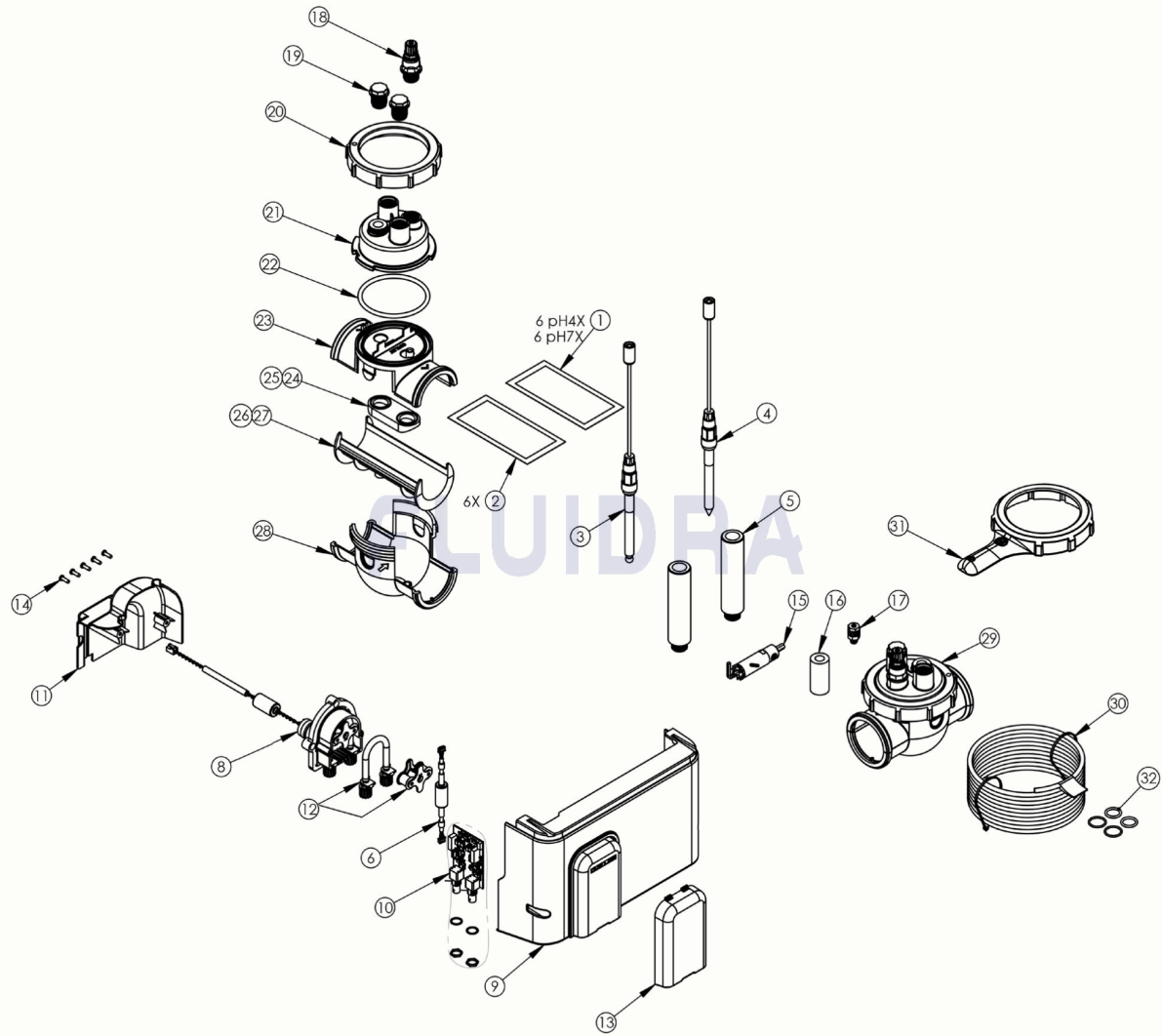


CODIGO **WW000176, WW000177**

 DESCRIPCION: **PH LINK / DUAL LINK**

ESPAÑOL

POS	CODIGO	DESCRIPCION	CANTIDAD	POS	CODIGO	DESCRIPCION	CANTIDAD
1	R0824400	SOLUCIONES TAMPÓN PH4 Y PH7 (6 UN.D		15	R0797300	ABRAZADERA Ø 63	
2	* R0824500	SOLUCIÓN TAMPÓN REDOX 470 MV (6 UN		16	R0741200	CONTRAPESO CERÁMICO	
3	R0819800	SONDA PH P19 CON 3 M DE CABLE BNC		17	R0797100	TOPE DEL CONTRAPESO CERÁMICO PARA	
4	* R0819900	SONDA REDOX P19 CON 3 M DE CABLE B		18	R0738100	VÁLVULA DE INYECCIÓN ANTI RETORNO -	
5	R0824600	PORTA- Sonda P19 - DESDE 2019		19	R0740500	TAPÓN ROSCADO POD ½" (+ JUNTA TÓRIC	
6	R0824700	CABLE TARJETA ELECTRÓNICA MÓDULO		20	R0768200	TUERCA DE CIERRE POD	
8	R0824900	BOMBA PH COMPLETA		21	R0749000	POD SOLO (CON ADAPTADOR ROSCADO P	
9	* R0825000	TAPA INFERIOR MÓDULO PH LINK		22	R0738500	JUNTA TÓRICA DEL POD	
9	* R0825100	TAPA INFERIOR MÓDULO DUAL LINK		23	R0767900	COLLARÍN SUPERIOR DE TOMA DE CARGA	
10	* R0825200	TARJETA ELECTRÓNICA MÓDULO PH LINK		24	R0769700	ADAPTADOR DE TUBO EU Ø 50 O 63 MM	
10	* R0825300	TARJETA ELECTRÓNICA MÓDULO DUAL LI		25	R0767800	JUNTA DE TUBO 1 ½"	
11	R0825400	TAPA TRASERA MÓDULO		26	R0770000	ADAPTADOR PARA TUBO Ø50 MM (EU)	
12	R0985600	PORTA-RODILLOS +TUBO PH		27	R0770200	SUPLEMENTO ADAPTADOR DE TUBO 1 ½"	

* NOTA OBSERVACIONES

CODIGO **WW000176, WW000177**DESCRIPCION: **PH LINK / DUAL LINK**

13	R0825700	TAPA TRANSPARENTE BOMBA DE PH	28	R0768400	COLLARÍN INFERIOR DE TOMA DE CARGA
14	R0516700	TORNILLO 4*12 MM (PACK DE 5 UN.)	29	R0534900	KIT POD
30	R0748200	TUBO DE INYECCIÓN DE PRODUCTO COR	32	R0830700	KIT JUNTAS TÓRICAS (JUNTA DE INYECCIÓ
31	R0769900	LLAVE APRIETE CÉLULA	/	R0808000	CÁNULA DE ASPIRACIÓN

CODIGO **WW000176, WW000177**

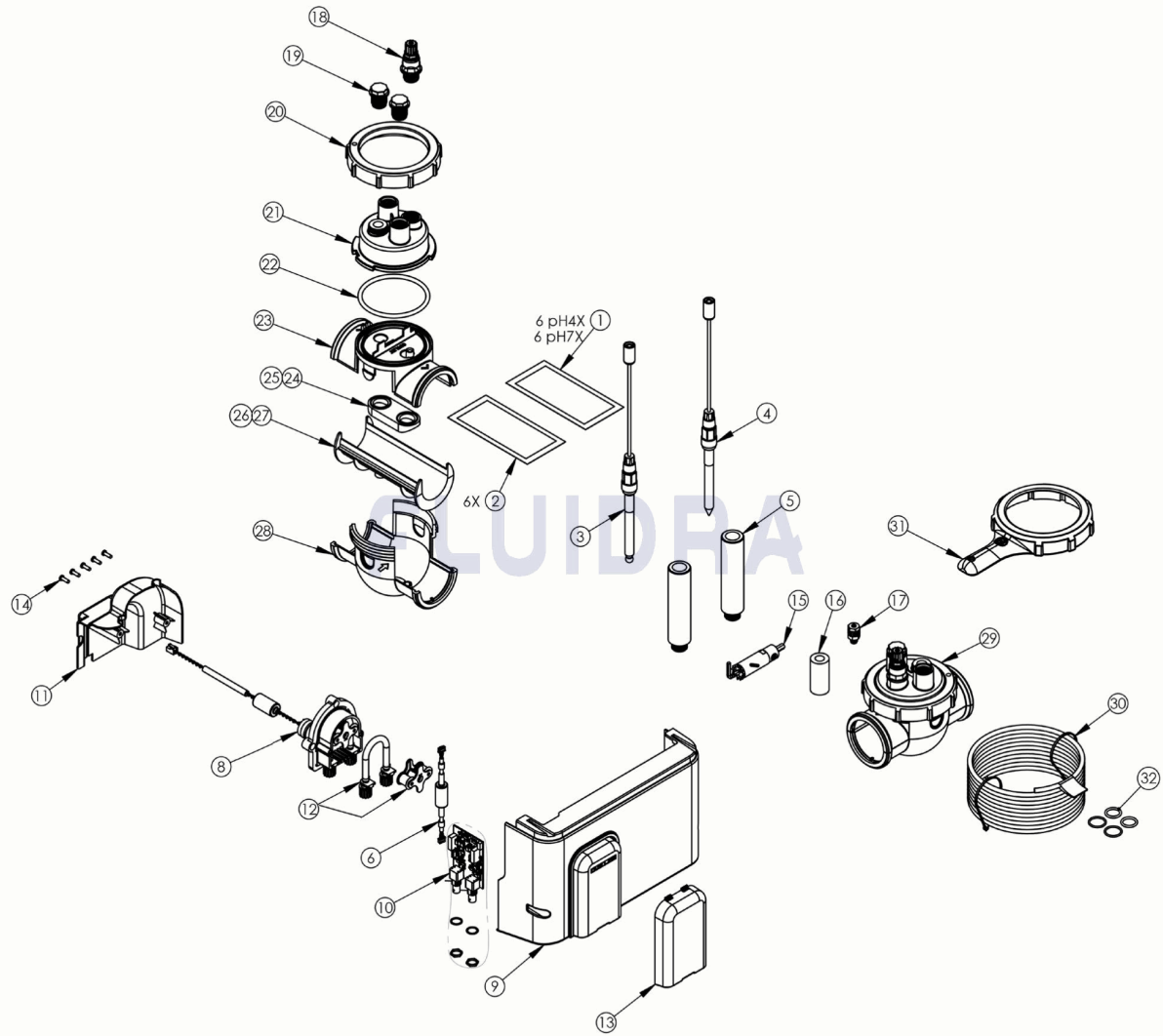
DESCRIPCION: PH LINK / DUAL LINK

OBSERVACIONES

POS	CODIGO	OBSERVACIONES
2	* R0824500	PARA: WW000177
4	* R0819900	PARA: WW000177
9	* R0825000	PARA: WW000176
9	* R0825100	PARA: WW000177
10	* R0825200	PARA: WW000176
10	* R0825300	PARA: WW000177

CODE **WW000176, WW000177**

DESCRIPTION: PH LINK / DUAL LINK



FRANCAIS

POS	CODE	DESCRIPTION	QUANTITE	POS	CODE	DESCRIPTION	QUANTITE
1	R0824400	KIT DE SOLUTIONS TAMPON PH (6X PH 4 I		15	R0797300	SCIE-CLOCHE 22 MM POUR PERÇAGE TUY	
2	* R0824500	KIT DE SOLUTIONS TAMPON REDOX (6X 4		16	R0741200	CONTREPOIDS EN CÉRAMIQUE	
3	R0819800	SONDE PH P19 AVEC 3 M DE CÂBLE BNC		17	R0797100	EMBOUT DE RETENUE DU CONTREPOIDS	
4	* R0819900	SONDE REDOX P19 AVEC 3 M DE CÂBLE I		18	R0738100	CLAPET D'INJECTION ANTI-RETOUR - 1/2"	
5	R0824600	PORTE-SONDE P19 - À PARTIR DE 2019		19	R0740500	BOUCHON FILETÉ 1/2" (+ JOINT TORIQUE)	
6	R0824700	CÂBLE CARTE ÉLECTRONIQUE MODULE		20	R0768200	BAGUE DE SERRAGE ÉLECTRODE	
8	R0824900	POMPE PH COMPLÈTE		21	R0749000	POD SEUL (+ ADAPTATEUR FILETÉ POUR C	
9	* R0825000	CAPOT INFÉRIEUR MODULE PH LINK		22	R0738500	JOINT TORIQUE D'ÉLECTRODE	
9	* R0825100	CAPOT INFÉRIEUR MODULE DUAL LINK		23	R0767900	DEMI-COLLIER DE PRISE EN CHARGE SUP	
10	* R0825200	CARTE ÉLECTRONIQUE MODULE PH LINK		24	R0769700	JOINT PLAT DE TUYAU EU (DN50 MM & DN€	
10	* R0825300	CARTE ÉLECTRONIQUE MODULE DUAL LI		25	R0767800	JOINT PLAT DE TUYAU UK (1 1/2")	
11	R0825400	CAPOT ARRIÈRE MODULE		26	R0770000	ADAPTATEUR DE TUYAU EU (DN50 MM)	
12	R0985600	PORTE-GALET POMPE PH + TUYAU		27	R0770200	ADAPTATEUR DE TUYAU UK (1 1/2")	

* VOIR FICHE D'OBSERVATIONS

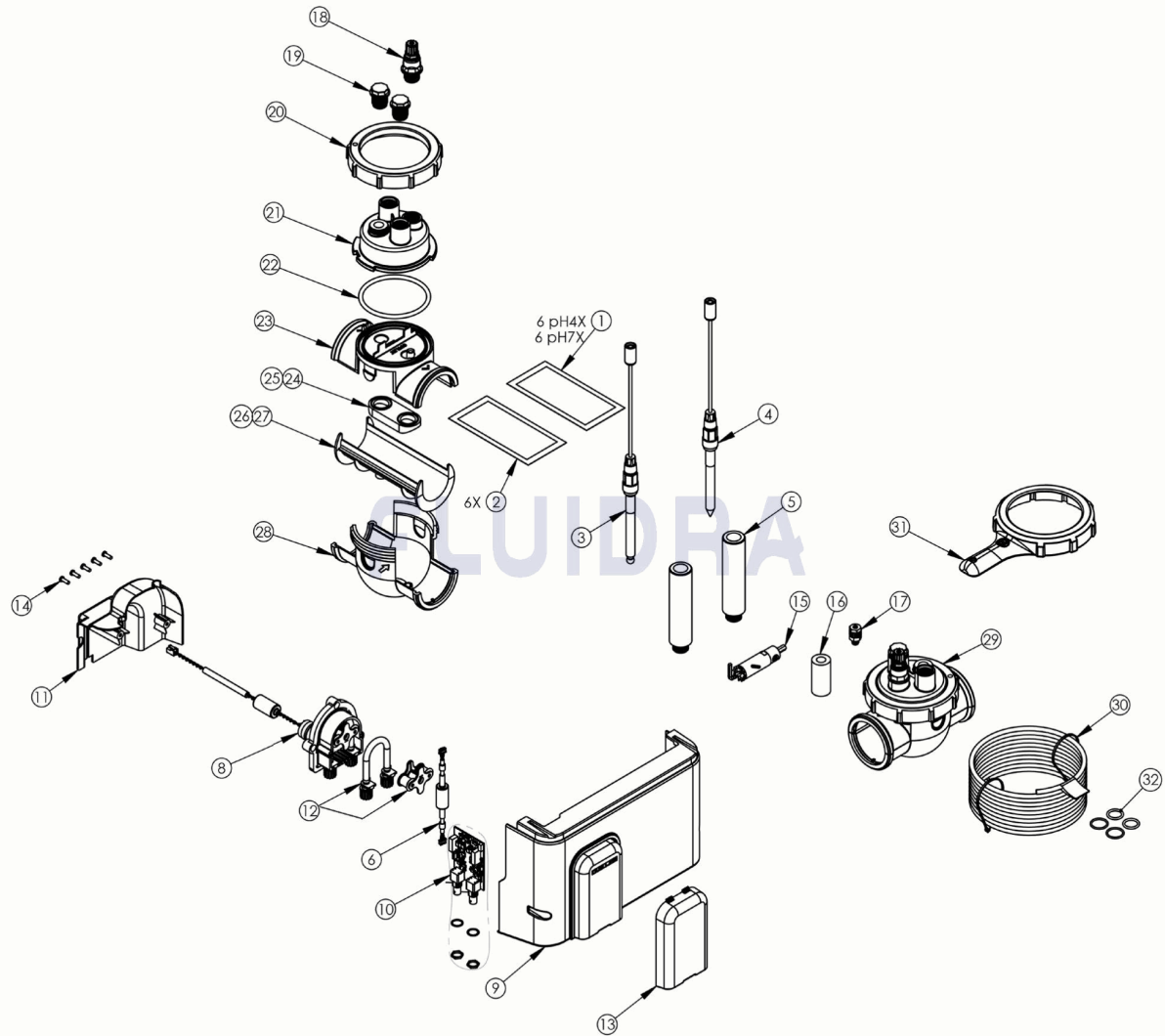
CODE **WW000176, WW000177**DESCRIPTION: **PH LINK / DUAL LINK**

13	R0825700	CAPOT TRANSLUCIDE POMPE PH	28	R0768400	DEMI-COLLIER DE PRISE EN CHARGE EI IN
14	R0516700	VIS 4*12 MM (X5)	29	R0534900	KIT POD COMPLET
30	R0748200	TUBE D'INJECTION DE PRODUIT CORREC	32	R0830700	KIT JOINTS TORIQUES (JOINT POUR INJEC
31	R0769900	CLÉ POUR DESSERRAGE BAGUE ÉLECTR	/	R0808000	CANNE D'ASPIRATION ANTI-ÉMANATION

CODE **WW000176, WW000177**DESCRIPTION: **PH LINK / DUAL LINK****OBSERVATIONS**

POS	CODE	OBSERVATIONS
2	* R0824500	POUR: WW000177
4	* R0819900	POUR: WW000177
9	* R0825000	POUR: WW000176
9	* R0825100	POUR: WW000177
10	* R0825200	POUR: WW000176
10	* R0825300	POUR: WW000177

CODE **WW000176, WW000177**

 DESCRIPTION: **PH LINK / DUAL LINK**

ENGLISH

POS	CODE	DESCRIPTION	QUANTITY	POS	CODE	DESCRIPTION	QUANTITY
1	R0824400	PH BUFFER SOLUTION KIT (6X PH 4 AND 6		15	R0797300	HOLE SAW 22 MM FOR PIPE DRILLING	
2	* R0824500	ORP BUFFER SOLUTION KIT (6X 470 MV)		16	R0741200	CERAMIC COUNTER-WEIGHT	
3	R0819800	PH SENSOR P19 WITH 3 M BNC CABLE KIT		17	R0797100	CERAMIC COUNTER-WEIGHT RETAINING N	
4	* R0819900	ORP SENSOR P19 WITH 3 M BNC CABLE K		18	R0738100	INJECTION CHECK VALVE - 1/2"	
5	R0824600	SENSOR HOLDER P19 - STARTING 2019		19	R0740500	THREADED PLUG 1/2" (+ ORING)	
6	R0824700	MODULE ELECTRONIC CARD CABLE		20	R0768200	ELECTRODE TIGHTENING RING	
8	R0824900	COMPLETE PERISTALTIC PH PUMP		21	R0749000	POD (+ THREADED ADAPTER FOR FLOW C	
9	* R0825000	PH LINK MODULE LOWER HOUSING		22	R0738500	ELECTRODE O-RING	
9	* R0825100	DUAL LINK MODULE LOWER HOUSING		23	R0767900	SADDLE CLAMP TOP	
10	* R0825200	PH LINK MODULE ELECTRONIC CARD		24	R0769700	FLAT HOSE JOINT DN50 MM & DN63 MM (EI	
10	* R0825300	DUAL LINK MODULE ELECTRONIC CARD		25	R0767800	FLAT HOSE JOINT 1 1/2" (UK)	
11	R0825400	MODULE BACK COVER		26	R0770000	EU PIPE ADAPTER (DN50 MM)	
12	R0985600	PERISTALTIC PH PUMP ROLLER +TUBE		27	R0770200	UK PIPE ADAPTER (1 1/2")	

* SEE OBSERVATIONS SHEET

CODE **WW000176, WW000177**DESCRIPTION: **PH LINK / DUAL LINK**

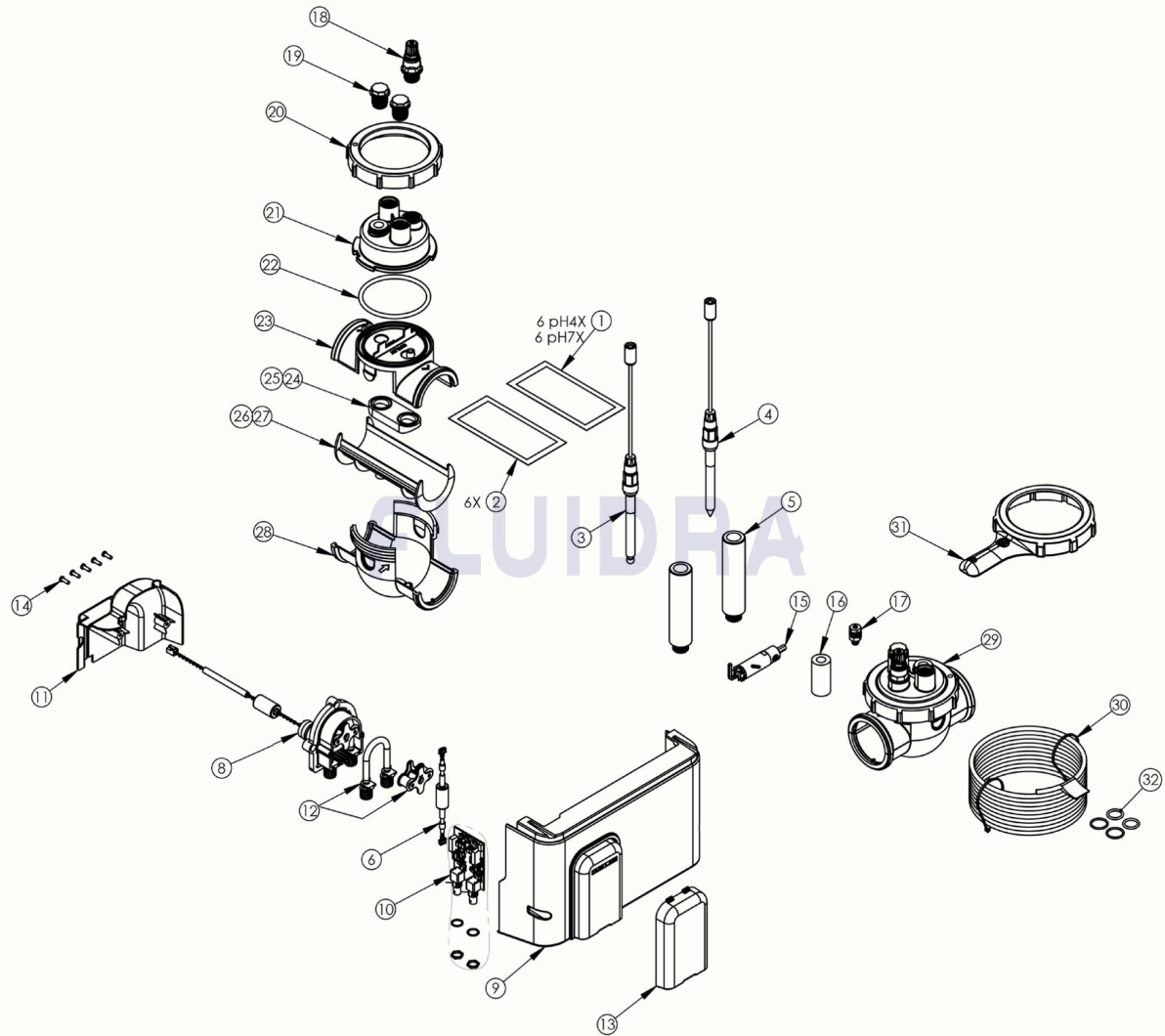
13	R0825700	PH PUMP TRANSLUCENT WINDOW	28	R0768400	SADDLE CLAMP BOTTOM
14	R0516700	SCREWS 4*12 MM (X5)	29	R0534900	POD KIT
30	R0748200	POLYETHYLENE CORRECTING FLUID INJE	32	R0830700	O-RING KIT (PH/POD CORK O-RING X 2 & I
31	R0769900	LOCKING RING WRENCH (NOT INCLUDED	/	R0808000	COMPLETE ANTI-EMISSION SUCTION PIPE

CODE **WW000176, WW000177**DESCRIPTION: **PH LINK / DUAL LINK**

OBSERVATIONS

POS	CODE	OBSERVATIONS
2	* R0824500	FOR: WW000177
4	* R0819900	FOR: WW000177
9	* R0825000	FOR: WW000176
9	* R0825100	FOR: WW000177
10	* R0825200	FOR: WW000176
10	* R0825300	FOR: WW000177

CODICE **WW000176, WW000177**

 DESCRIZIONE: **PH LINK / DUAL LINK**

ITALIANO

POS	CODICE	DESCRIZIONE	QUANTITA'	POS	CODICE	DESCRIZIONE	QUANTITA'
1	R0824400	PH4&7 BUFFER SOLUTION X6 TNG		15	R0797300	22 MM DIA ETHER HOLE SAW	
2	* R0824500	ORP470 BUFFER SOLUTION X6 TNG		16	R0741200	CERAMIC WGT FOR ACID TUBE X 2	
3	R0819800	PH SENSOR TNG		17	R0797100	COMPRESSION FITTING 3PX6MMX1/8	
4	* R0819900	ORP SENSOR TNG		18	R0738100	POD ONE WAY VALVE	
5	R0824600	PROBE HOLDER TNG		19	R0740500	POD SCREW CAP *2	
6	R0824700	CAVO SCHEDA ELETTRONICA MODULO		20	R0768200	LOCKING COLLAR POD	
8	R0824900	POMPA PH PERISTALTICA COMPLETA		21	R0749000	CAP & FLOWSWITH ADAPT POD	
9	* R0825000	MODULO PH LINK ALLOGGIAMENTO INFEF		22	R0738500	O RING EI CELL	
9	* R0825100	CUSTODIA INFERIORE MODULO DUAL LIN		23	R0767900	CLAMP TOP POD	
10	* R0825200	SCHEDA ELETTRONICA MODULO PH LINK		24	R0769700	GASKET - POD EU/SA	
10	* R0825300	SCHEDA ELETTRONICA MODULO DUAL LI		25	R0767800	EI GASKET UK	
11	R0825400	MODULO RETRO COPERTURA		26	R0770000	PIPE ADAPTOR POD EU/SA	
12	R0985600	RULLO POMPA PH +TUBO		27	R0770200	PIPE ADAPTOR POD AU/USA	

* SI FACCIA RIFERIMENTO AL FOGLIO DELLE OSSERVAZIONI

CODICE **WW000176, WW000177**DESCRIZIONE: **PH LINK / DUAL LINK**

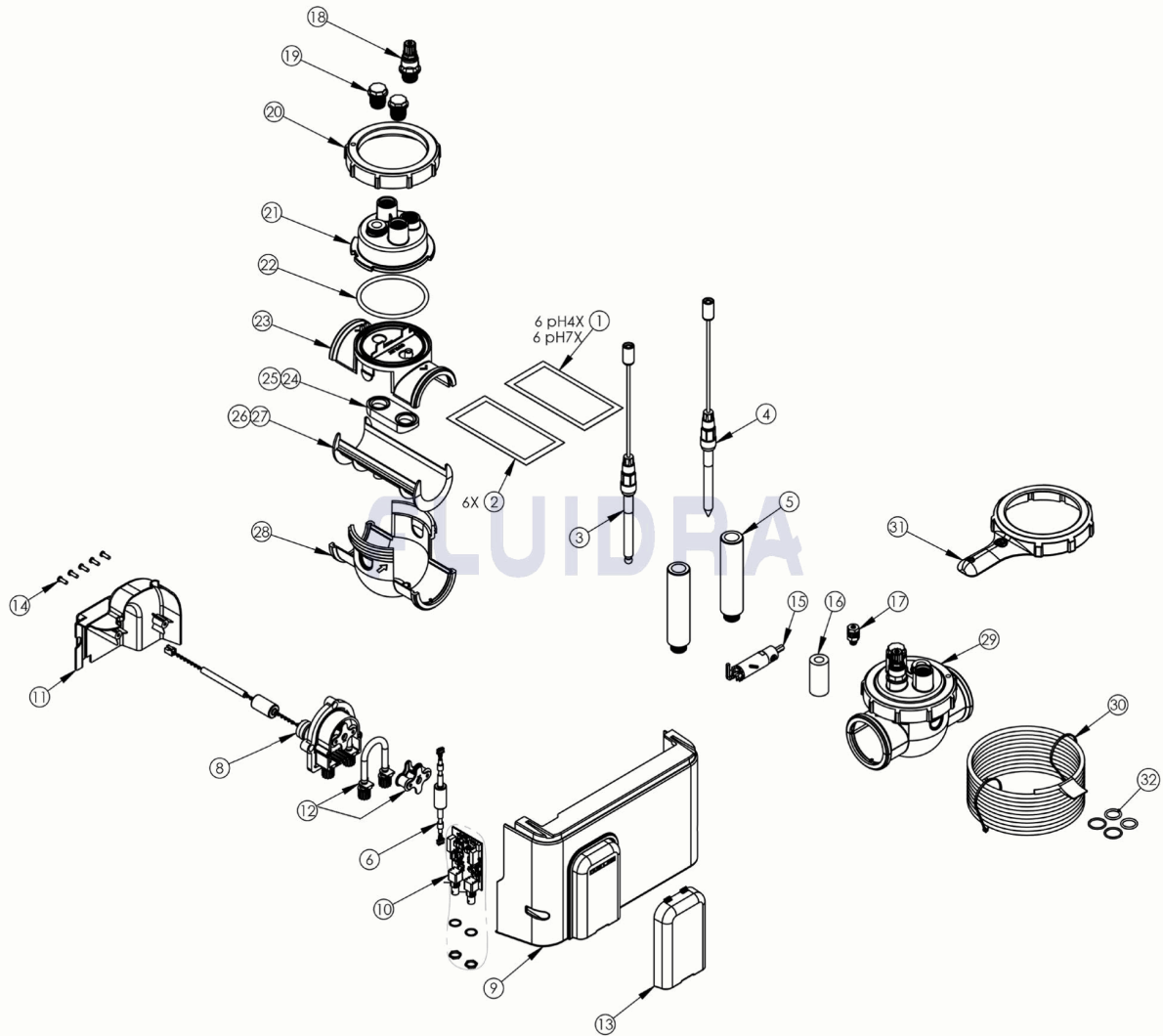
13	R0825700	FINESTRA TRASLUCIDA DELLA POMPA PH	28	R0768400	CLAMP BOTTOM POD
14	R0516700	VITE 4*12 MM (*5)	29	R0534900	KIT POD EU
30	R0748200	TRI ACID TUBE 5MX6MM OD	32	R0830700	KIT O-RING (PH/POD CORK O-RING X 2 E F
31	R0769900	LOCKING COLLAR TOOL POD	/	R0808000	INTAKE PIPE W/O LEVEL

CODICE **WW000176, WW000177**DESCRIZIONE: **PH LINK / DUAL LINK****OSSERVAZIONI**

POS	CODICE	OSSERVAZIONI
2	* R0824500	PER: WW000177
4	* R0819900	PER: WW000177
9	* R0825000	PER: WW000176
9	* R0825100	PER: WW000177
10	* R0825200	PER: WW000176
10	* R0825300	PER: WW000177

CODE **WW000176, WW000177**

BESCHREIBUNG: PH LINK / DUAL LINK


DEUTSCH

POS	CODE	BESCHREIBUNG	MENGE	POS	CODE	BESCHREIBUNG	MENGE
1	R0824400	PH4&7 BUFFER SOLUTION X6 TNG	15	R0797300	KRONENBOHRER DM 22 MM		
2	* R0824500	ORP470 BUFFER SOLUTION X6 TNG	16	R0741200	CERAMIC WGT FOR ACID TUBE X 2		
3	R0819800	PH-SENSOR P19	17	R0797100	COMPRESSION FITTING 3PX6MMX1/8		
4	* R0819900	ORP SENSOR TNG	18	R0738100	IMPFVENTIL 1/2" F. TRI PH		
5	R0824600	SONDENHALTER P19	19	R0740500	GEWINDEKAPPE 1/2" MIT O-RING		
6	R0824700	ELEKTRONISCHES KARTENKABEL DES MK	20	R0768200	ÜBERWURFMUTTER F. ELEKTRODE		
8	R0824900	KOMPLETTE PERISTALTISCHE PH-PUMPE	21	R0749000	ELEKTRODENAUFNAHME		
9	* R0825000	PH LINK MODUL UNTERES GEHÄUSE	22	R0738500	O RING EI CELL		
9	* R0825100	DUAL LINK MODUL UNTERES GEHÄUSE	23	R0767900	OBERTEIL F. ANBOHRSCHELLE POD		
10	* R0825200	ELEKTRONISCHE KARTE FÜR PH-LINK-MC	24	R0769700	DICHTUNG F. ANBOHRSCHELLE		
10	* R0825300	ELEKTRONISCHE DUAL LINK-MODUL-KAR	25	R0767800	EI GASKET UK		
11	R0825400	RÜCKSEITE DES MODULS	26	R0770000	ROHRADAPTER F. Ø 50 MM		
12	R0985600	PH-PUMPENROLLE + ROHOR	27	R0770200	PIPE ADAPTOR POD AU/USA		

* SIEHE ANMERKUGSBLATT

CODE **WW000176, WW000177**BESCHREIBUNG: **PH LINK / DUAL LINK**

13	R0825700	PH PUMP TRANSLUCENTER FENSTER	28	R0768400	UNTERTEIL F. ANBOHRSCHELLE
14	R0516700	SCHRAUBE 4 * 12 MM(SET mit 5 Stk.)	29	R0534900	KIT POD
30	R0748200	TRI ACID TUBE 5MX6MM OD	32	R0830700	O-RING-KIT (PH/POD KORK O-RING X 2 & P
31	R0769900	RINGSCHLÜSSEL FÜR EI-ZELLE	/	R0808000	INTAKE PIPE W/O LEVEL

CODE **WW000176, WW000177**

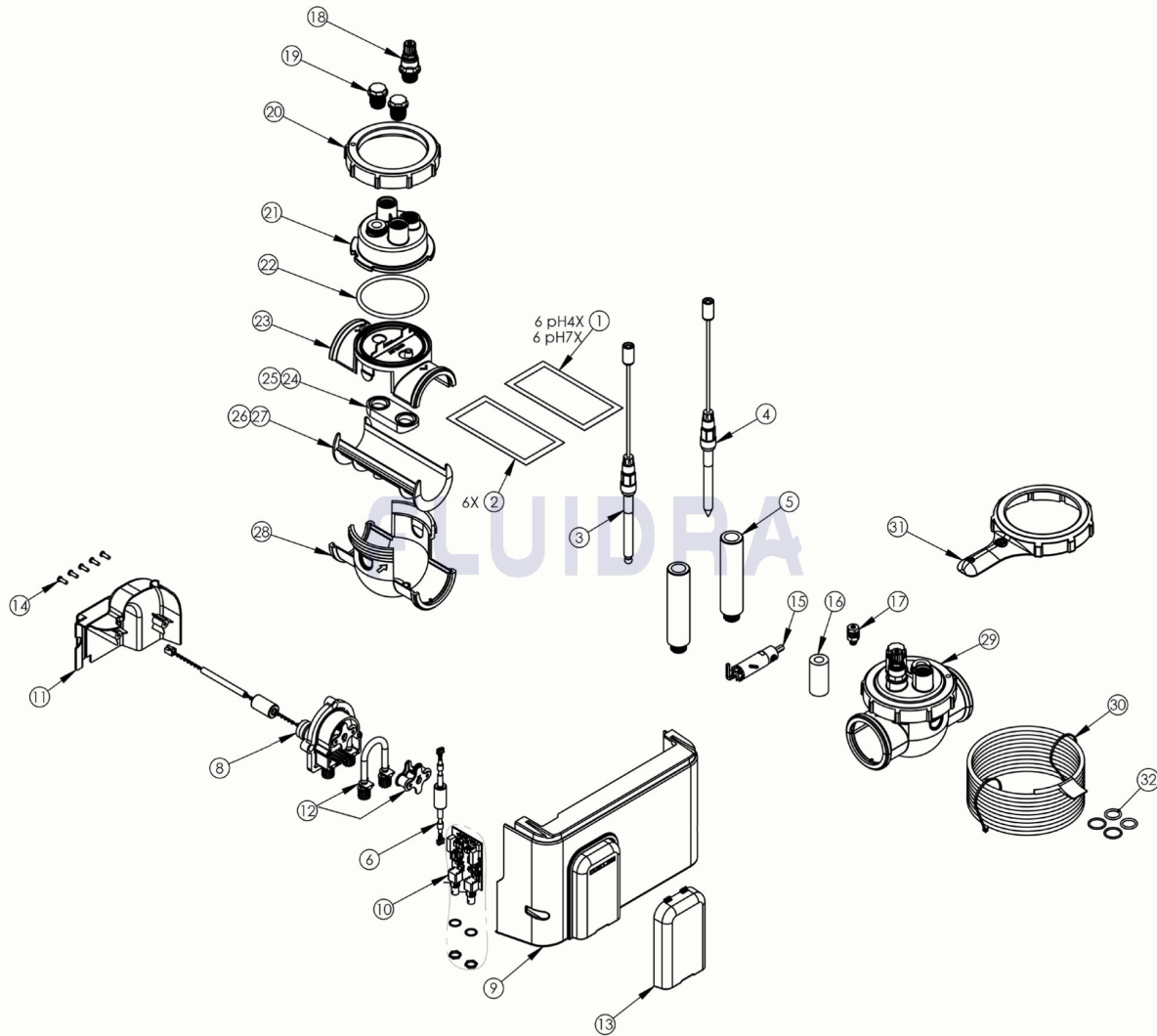
BESCHREIBUNG: PH LINK / DUAL LINK

HINWEISE

POS	CODE	HINWEISE
2	* R0824500	FÜR: WW000177
4	* R0819900	FÜR: WW000177
9	* R0825000	FÜR: WW000176
9	* R0825100	FÜR: WW000177
10	* R0825200	FÜR: WW000176
10	* R0825300	FÜR: WW000177

CODIGO **WW000176, WW000177**

DESCRIÇÃO: PH LINK / DUAL LINK



PORTUGUES

POS	CODIGO	DESCRIÇÃO	JANTIDADE	POS	CODIGO	DESCRIÇÃO	JANTIDADE
1	R0824400	PH4&7 BUFFER SOLUTION X6 TNG		15	R0797300	22 MM DIA ETHER HOLE SAW	
2	* R0824500	ORP470 BUFFER SOLUTION X6 TNG		16	R0741200	CERAMIC WGT FOR ACID TUBE X 2	
3	R0819800	PH SENSOR TNG		17	R0797100	COMPRESSION FITTING 3PX6MMX1/8	
4	* R0819900	ORP SENSOR TNG		18	R0738100	POD ONE WAY VALVE	
5	R0824600	PROBE HOLDER TNG		19	R0740500	POD SCREW CAP *2	
6	R0824700	CABO DA PLACA ELETRÔNICA DO MÓDUL		20	R0768200	EI/TRI PORCA FIXAÇÃO CÉLULA	
8	R0824900	BOMBA DE PH PERISTÁLTICA COMPLETA		21	R0749000	CAP & FLOWSWITH ADAPT POD	
9	* R0825000	MÓDULO PH LINK LOWER HOUSING		22	R0738500	O-RING CELULA EI	
9	* R0825100	MÓDULO DUAL LINK MÓDULO INFERIOR		23	R0767900	TAMPA TOPO POD	
10	* R0825200	CARTÃO ELETRÔNICO DO MÓDULO PH LII		24	R0769700	JUNTA TUBO Ø 50/63(EU/SA)	
10	* R0825300	CARTÃO ELETRÔNICO DO MÓDULO DUAL		25	R0767800	JUNTA DE TUBO UK 1 ½"	
11	R0825400	CAPA TRASEIRA DO MÓDULO		26	R0770000	ADAPTADOR TUBO EI EU/SA	
12	R0985600	ROLO DE BOMBA DE PH + TUBO		27	R0770200	SUPLEMTO ADAPTADOR TUBO 1½ UK	

* VEJA A FICHA DE OBSERVAÇÕES

CODIGO **WW000176, WW000177**DESCRIÇÃO: **PH LINK / DUAL LINK**

13	R0825700	JANELA TRANSLÚCIDA DA BOMBA DE PH	28	R0768400	ANEL INFERIOR EI
14	R0516700	PARAFUSO 4*12 MM (Pack 5 UN)	29	R0534900	KIT POD EU
30	R0748200	TRI ACID TUBE 5MX6MM OD	32	R0830700	KIT DE O-RING (PH / POD CORK O-RING X :
31	R0769900	CHAVE FIXAÇÃO EI	/	R0808000	INTAKE PIPE W/O LEVEL

CODIGO **WW000176, WW000177**DESCRIÇÃO: **PH LINK / DUAL LINK****OBSERVAÇÕES**

POS	CODIGO	OBSERVAÇÕES
2	* R0824500	PARA: WW000177
4	* R0819900	PARA: WW000177
9	* R0825000	PARA: WW000176
9	* R0825100	PARA: WW000177
10	* R0825200	PARA: WW000176
10	* R0825300	PARA: WW000177