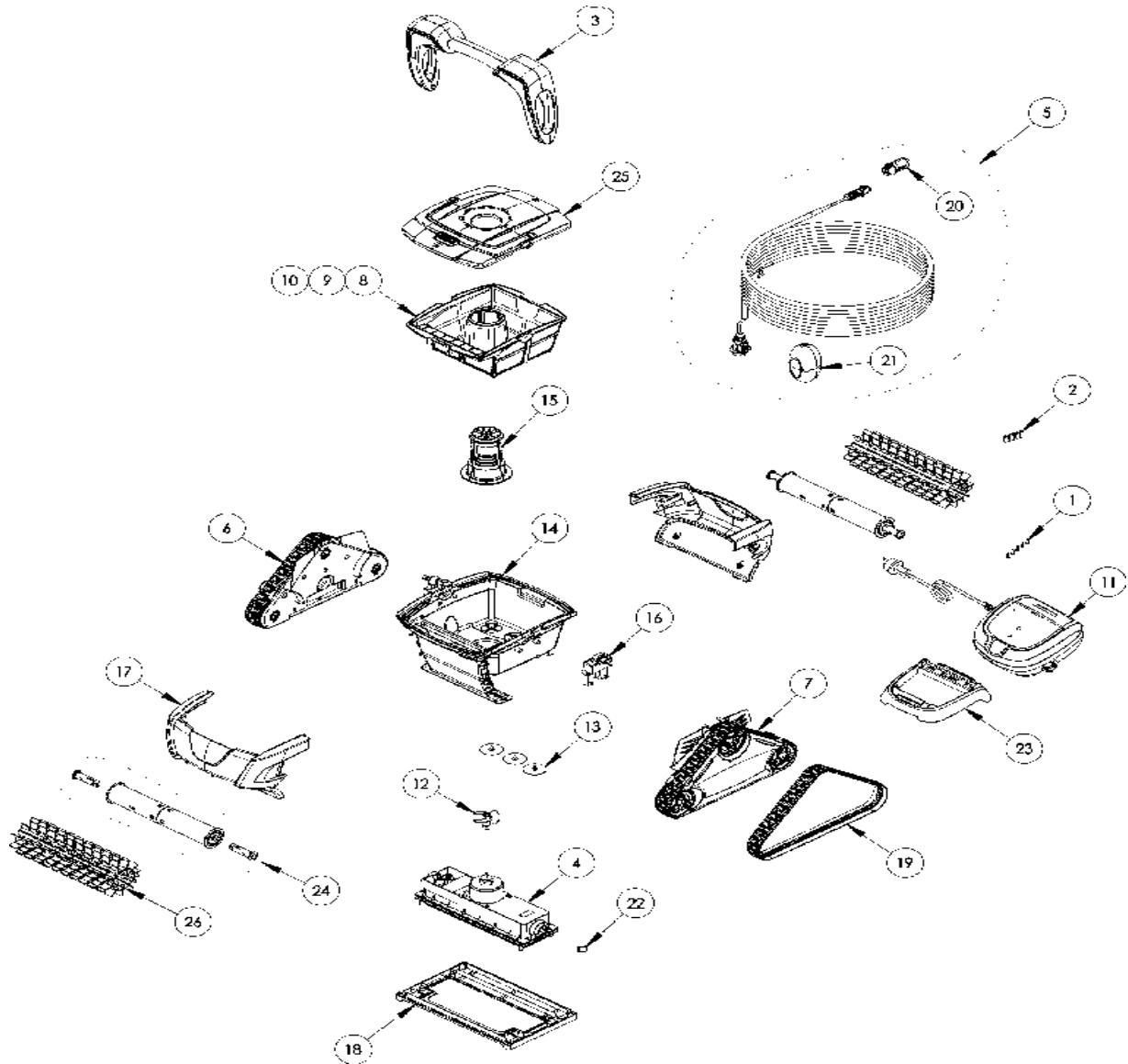


CODIGO **WR000242**

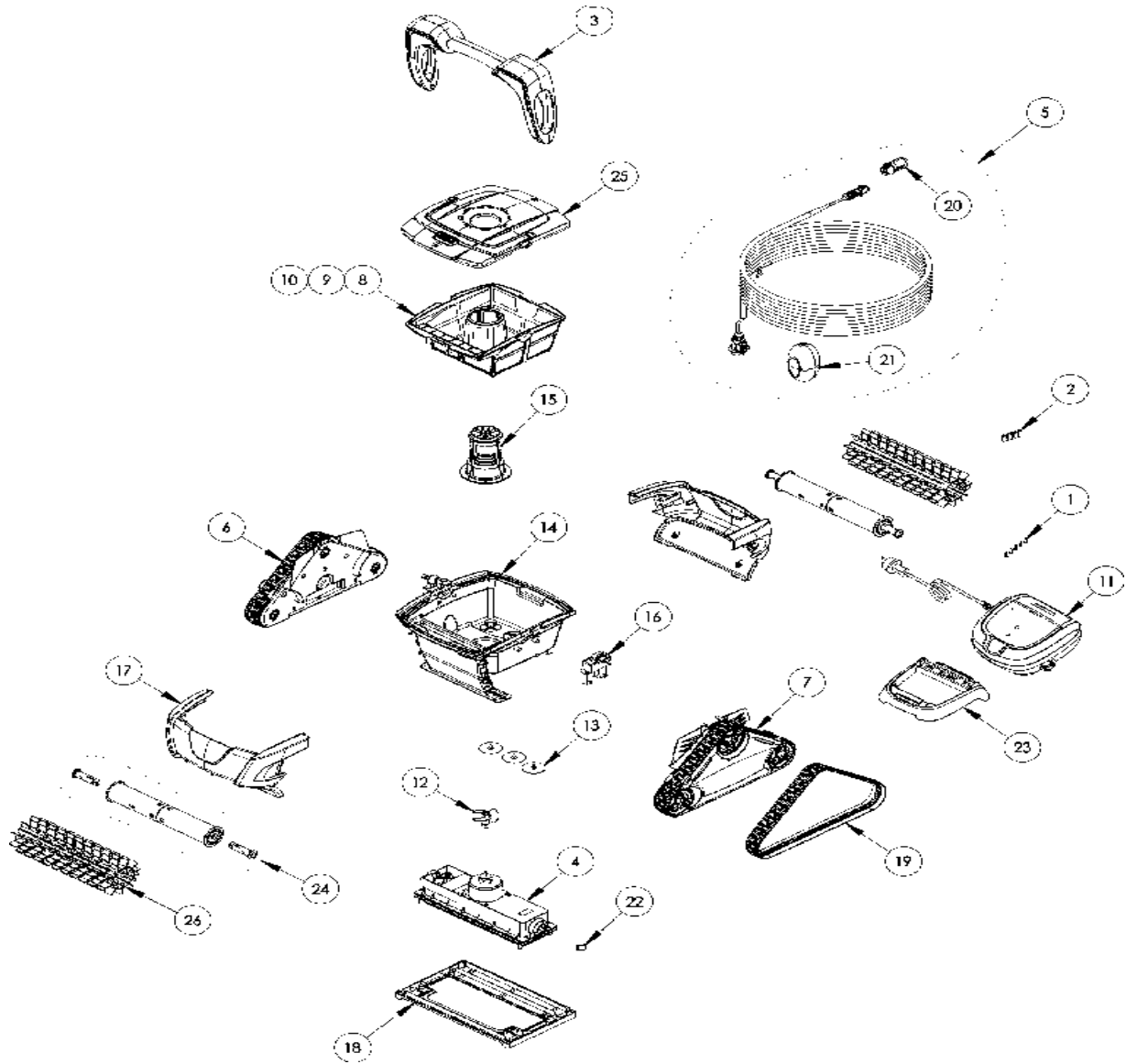
DESCRIPCION: RC 4045


ESPAÑOL

POS	CODIGO	DESCRIPCION	CANTIDAD	POS	CODIGO	DESCRIPCION	CANTIDAD
1	R0516700	TORNILLO 4*12 MM (PACK DE 5 UN.)	1	14	R0633400	CARCARA INTERIOR CYCLONX	1
2	R0608500	TORNILLO 4*16 MM A4 (Pack 5 UN)	1	15	R0633500	CANALIZADOR DE FLUJO CYCLONX	1
3	R0631901	EMPUÑADURA COMPLETA BLANCA ZODIA	1	16	R0633600	SOPORTE EMPUÑADURA RAL7021	2
4	R0632000	BLOQUE MOTOR CYCLONX	1	17	R0633701	CARCARA BLANCA COMPLETA CYCLONX	2
5	R0632100	CABLE FLOTANTE 15 M CYCLONX	1	18	R0633800	PLACA INFERIOR CYCLONX	1
6	R0632203	CASSETTE LIBRE CYCLONX GRIS	1	19	R0633900	ORUGA CYCLONX ZODIAC (PACK 2 UN)	1
7	R0632303	CASSETTE LADO MOTOR TRACCIÓN CYCI	1	20	R0634100	CUERPO CONECTOR 3 PINS	1
8	R0632600	FILTRO DE RESIDUOS FINOS 100µ	1	21	R0634200	CABLE FLOTANTE CYCLONX ZODIAC	1
9	R0632601	FILTRO 200µ CYCLONX ZODIAC	1	22	R0657900	PASADOR ø4 EJE BLOQUE MOTOR (PACK 1	1
10	R0632602	FILTRO 60µ CYCLONX ZODIAC	1	23	R0662600	SOPORTE UNIDAD DE CONTROL	1
11	R0633001	UNIDAD DE CONTROL TIPO 2 C	1	24	R0722400	RODILLO PORTACEPILLOS + FIJACIÓN C	2
12	R0633200	HÉLICE CYCLONX	1	25	R0878700	TAPA COMPLETA	1
13	R0633300	GOMA DE EVACUACIÓN CYCLONX (Pack 3	1	26	R0878800	CEPILLOS (*2)	1

CODE **WR000242**

DESCRIPTION: RC 4045

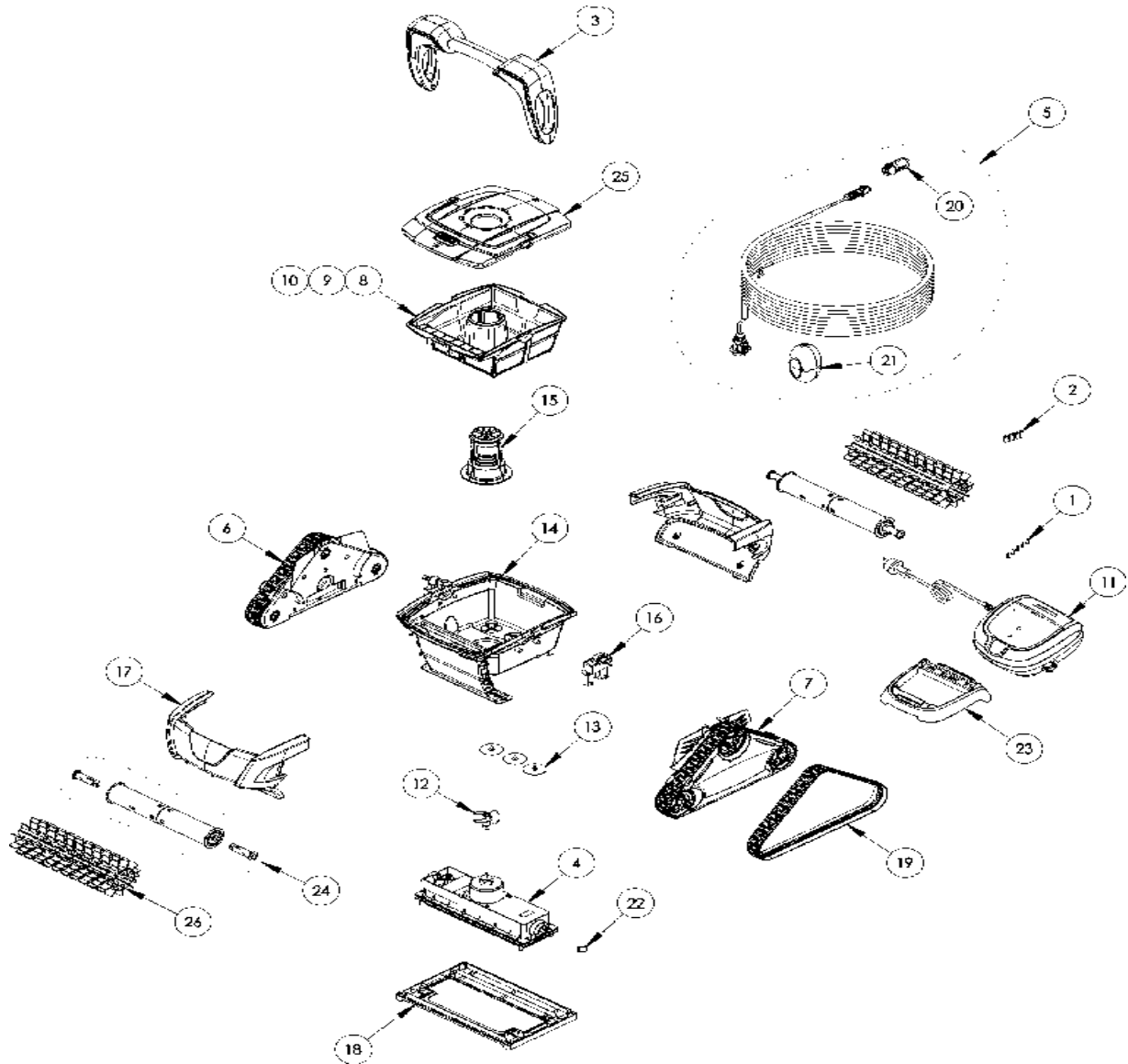


FRANCAIS

POS	CODE	DESCRIPTION	QUANTITE	POS	CODE	DESCRIPTION	QUANTITE
1	R0516700	VIS 4*12 MM (X5)	1	14	R0633400	BOL CYCLONX	1
2	R0608500	VIS 4*16 MM A4 (*5)	1	15	R0633500	GUIDE FLUX CYCLONX	1
3	R0631901	POIGNEE COMPLETE BLANCHE ZODIAC	1	16	R0633600	AXE POIGNEE RAL7021	2
4	R0632000	BLOC MOTEUR CYCLONX	1	17	R0633701	COQUE A CYCLONX BLANCHE	2
5	R0632100	CABLE FLOTTANT 15M CYCLONX	1	18	R0633800	PLAQUE INFERIEURE CYCLONX	1
6	R0632203	CASSETTE T LIBRE CYCLONX GRISE	1	19	R0633900	CHENILLE CYCLONX ZODIAC (*2)	1
7	R0632303	CASSETTE T MOTEUR CYCLONX GRISE	1	20	R0634100	CAPOT CONNECTEUR 3 PTS	1
8	R0632600	FILTRE 100µ CYCLONX ZODIAC	1	21	R0634200	FLOTTEUR CABLE CYCLONX ZODIAC	1
9	R0632601	FILTRE 200µ CYCLONX ZODIAC	1	22	R0657900	GOUPILLE ø4 AXE BLOC MOTEUR (*5)	1
10	R0632602	FILTRE 60µ CYCLONX ZODIAC	1	23	R0662600	SOCLE COFFRET COMMANDE	1
11	R0633001	COFFRET COMMANDE TYPE 2 C	1	24	R0722400	SUPPORT BROSSE + VERROUILLAGE C	2
12	R0633200	HELICE CYCLONX	1	25	R0878700	COUVERCLE COMPLET	1
13	R0633300	CLAPET EVACUATION CYCLONX (*3)	1	26	R0878800	BROSSE (*2)	1

CODE **WR000242**

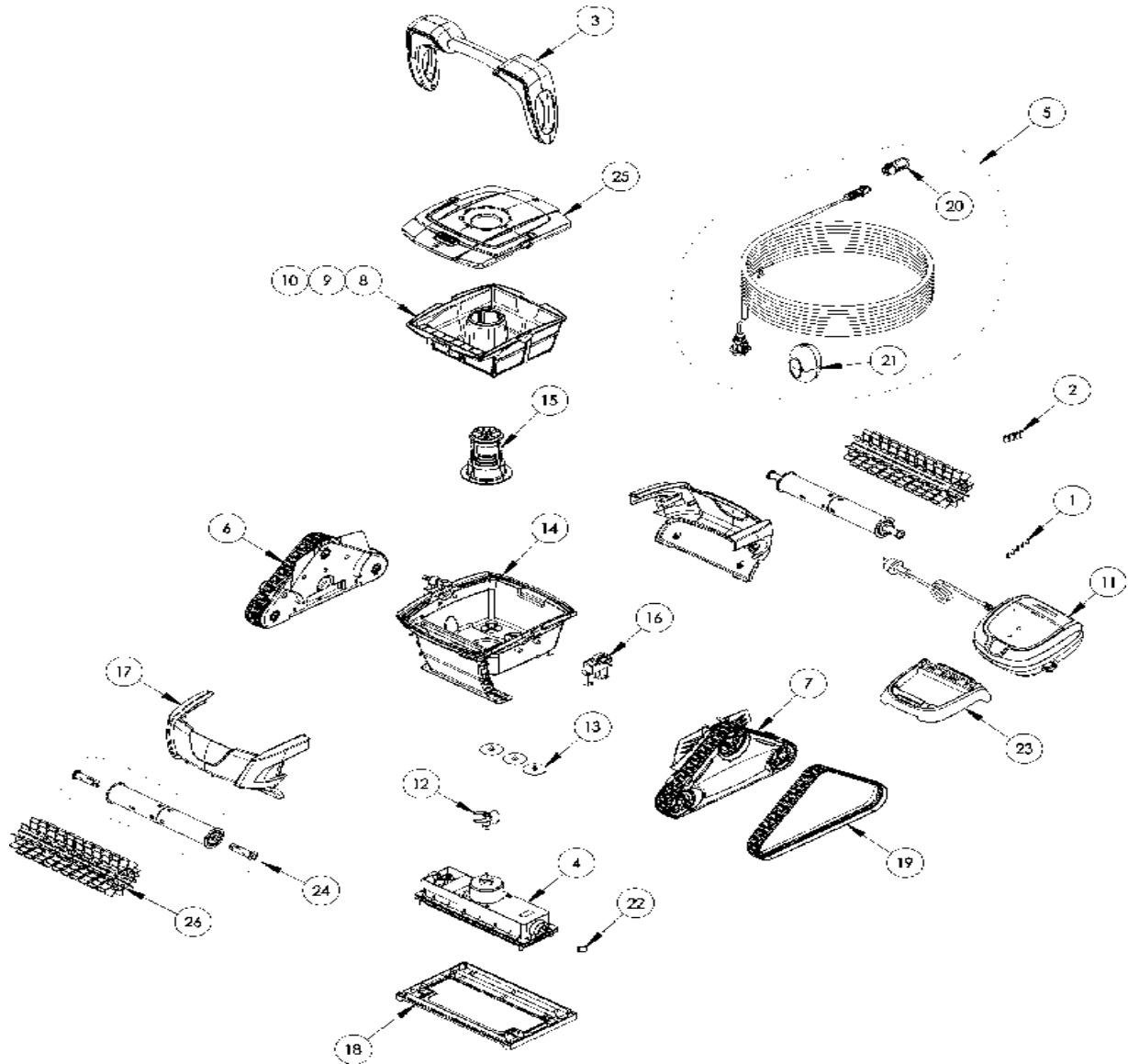
DESCRIPTION: RC 4045


ENGLISH

POS	CODE	DESCRIPTION	QUANTITY	POS	CODE	DESCRIPTION	QUANTITY
1	R0516700	SCREWS 4*12 MM (X5)	1	14	R0633400	BOWL CYCLONX	1
2	R0608500	SCREW 4*16MM (set of 5)	1	15	R0633500	FLOW OUTLET CYCLONX	1
3	R0631901	COMPLETE HANDLE CYCLONX WHITE ZOI	1	16	R0633600	HANDLE SHAFT CYCLONX	2
4	R0632000	COMPLETE MOTOR BLOCK CYCLONX	1	17	R0633701	BODY A WHITE CYCLONX	2
5	R0632100	COMPLETE FLOATING CABLE CYCLONX 1:	1	18	R0633800	BOTTOM PLATE CYCLONX	1
6	R0632203	COMPLETE FREE GEAR BOX CYCLONX GI	1	19	R0633900	TRACK CYCLONX ZODIAC (SET OF 2)	1
7	R0632303	COMPLETE GEAR BOX CYCLONX GREY	1	20	R0634100	CONNECTOR 3PTS BODY	1
8	R0632600	COMPLETE FILTER 100 CYCLONX ZODIAC	1	21	R0634200	CABLE FLOAT CYCLONX ZODIAC	1
9	R0632601	COMPLETE FILTER 200 CYCLONX ZODIAC	1	22	R0657900	MOTOR BLOCK SHAFT PIN Ø4 (SET OF 5)	1
10	R0632602	COMPLETE FILTER 60 CYCLONX ZODIAC	1	23	R0662600	CONTROL UNIT BASE	1
11	R0633001	CONTROL BOX TYPE 2 C	1	24	R0722400	BRUSH ROLLER + KEYS C	2
12	R0633200	IMPELLER CYCLONX	1	25	R0878700	COMPLETE COVER	1
13	R0633300	EXHAUST VALVE CYCLONX (SET OF 3)	1	26	R0878800	BRUSH SCRUBBER (*2)	1

CODICE **WR000242**

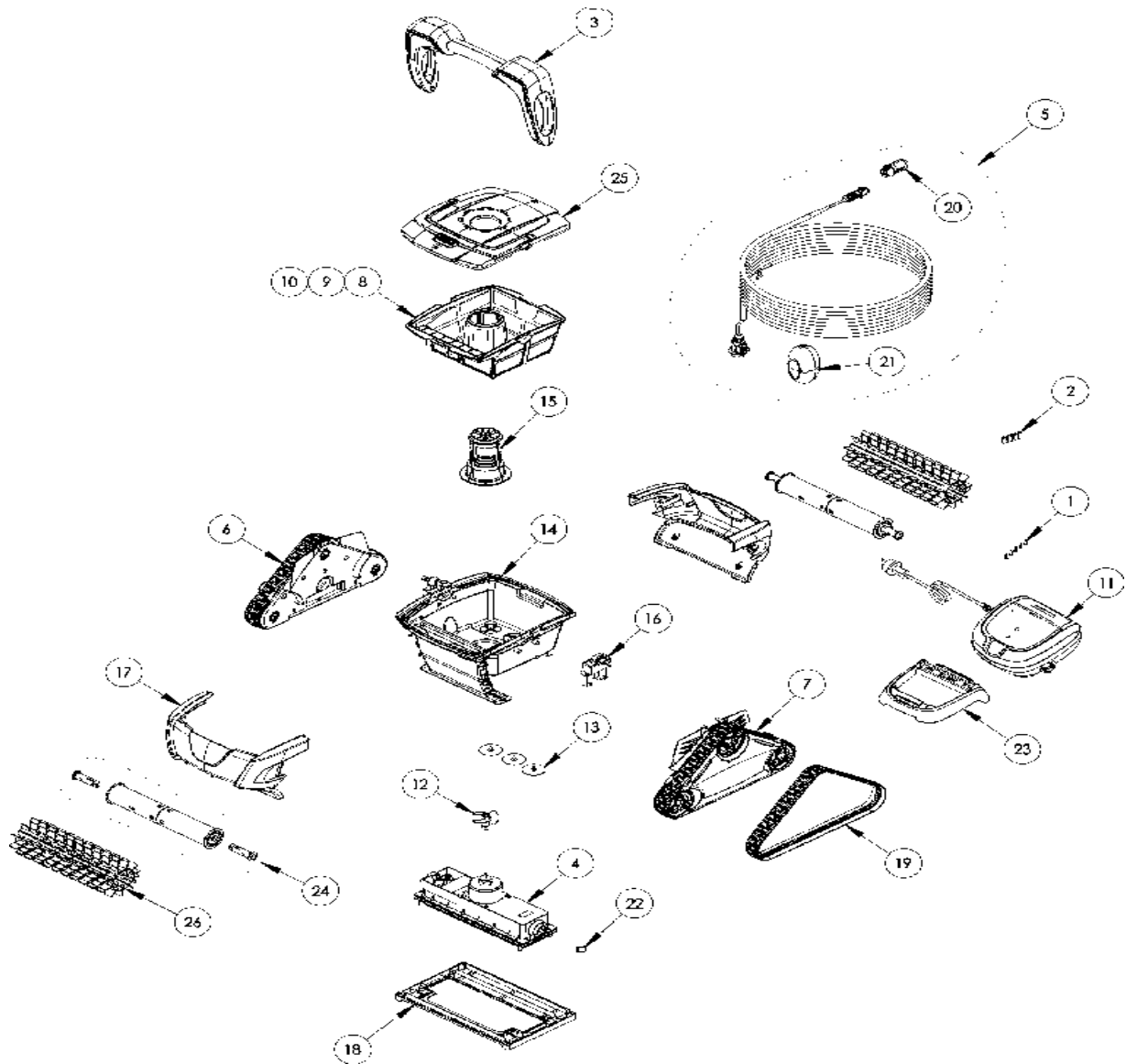
DESCRIZIONE: RC 4045


ITALIANO

POS	CODICE	DESCRIZIONE	QUANTITA'	POS	CODICE	DESCRIZIONE	QUANTITA'
1	R0516700	VITE 4*12 MM (*5)	1	14	R0633400	VASCHETTA CYCLONX	1
2	R0608500	VITE 4*16 MM A4 (*5)	1	15	R0633500	GUIDA FLUSSO CYCLONX	1
3	R0631901	IMPUGNATURA BIANCA CYCLONX	1	16	R0633600	AGGANCIO MANIGLIA CYCLONX	2
4	R0632000	BLOCCO MOTORE CYCLONX	1	17	R0633701	SCOCCHA BIANCA CYCLONX	2
5	R0632100	CAVO GALLEGGIANTE 15M CYCLONX	1	18	R0633800	SUPPORTO INFERIORE CYCLONX	1
6	R0632203	SCATOLA TRASMISSIONE CYCLONX GRIG	1	19	R0633900	KIT 2 CINGOLI CYCLONX	1
7	R0632303	SCATOLA TRASMISSIONE COMPLETA CYC	1	20	R0634100	ADATTATORE CAVO 3 PTS	1
8	R0632600	FILTRO 100 MICRON CYCLONX ZODIAC	1	21	R0634200	FLOTTANTE CAVO CYCLONX	1
9	R0632601	FILTRO 200 MICRON CYCLONX ZODIAC	1	22	R0657900	KIT 5 PIN ALBERO MOTORE	1
10	R0632602	FILTRO 60 MICRON CYCLONX ZODIAC	1	23	R0662600	PIEDISTALLO QUADRO COMANDI	1
11	R0633001	QUADRO COMANDI TIPO 2 C	1	24	R0722400	SUPPORTO SPAZZOLA + FERMO C	2
12	R0633200	ELICA CYCLONX	1	25	R0878700	COVER	1
13	R0633300	VALVOLA DI EVACUAZIONE CYCLONX (*3)	1	26	R0878800	SPAZZOLE (*2)	1

CODE **WR000242**

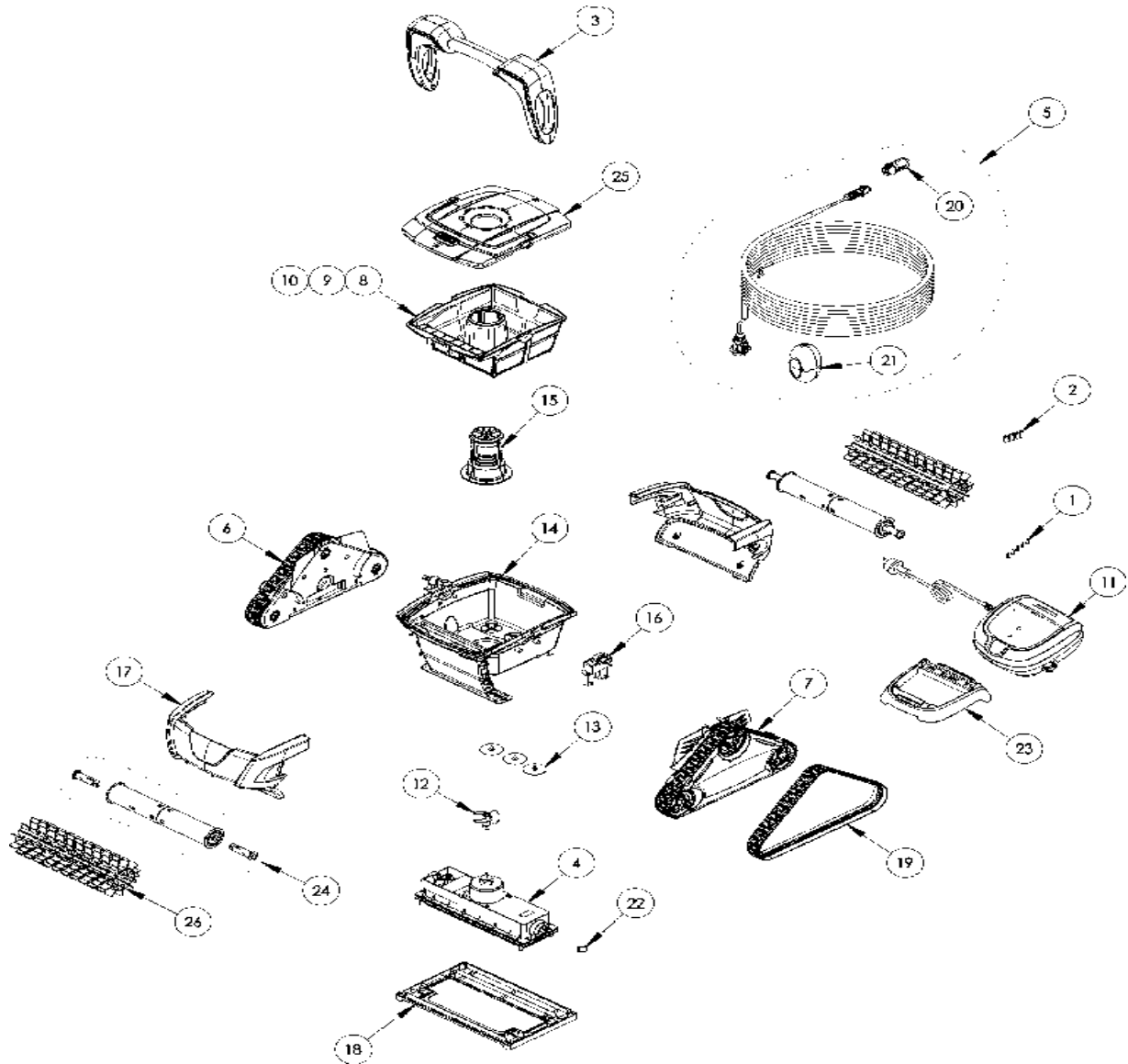
BESCHREIBUNG: RC 4045


DEUTSCH

POS	CODE	BESCHREIBUNG	MENGE	POS	CODE	BESCHREIBUNG	MENGE
1	R0516700	SCHRAUBE 4 * 12 MM(SET mit 5 Stk.)	1	14	R0633400	GEHÄUSE (CYCLONX)	1
2	R0608500	SCHRAUBE 4 * 16 MM; A4 (SET mit 5 Stk.)	1	15	R0633500	STRÖMUNGSDÜSE (CYCLONX)	1
3	R0631901	HANDGRIFF KOMPLETT, WEISS (CYCLONX)	1	16	R0633600	HALTERUNG FÜR GRIFF (CYCLONX)	2
4	R0632000	MOTORBLOCK (CYCLONX)	1	17	R0633701	GEHÄUSETEIL A, WEISS (CYCLONX)	2
5	R0632100	SCHWIMMKABEL 15 M (CYCLONX)	1	18	R0633800	BODENPLATTE (CYCLONX)	1
6	R0632203	GETRIEBEGEHÄUSE, GRAU (CYCLONX)	1	19	R0633900	RAUPENBAND, CYCLONX (SET mit 2 Stk)	1
7	R0632303	GETRIEBERAD, GRAU (CYCLONX)	1	20	R0634100	STECKERGEHÄUSE (CYCLONX)	1
8	R0632600	FILTERKORB FEIN, 100µ (CYCLONX)	1	21	R0634200	KABELSCHWIMMER (CYCLONX)	1
9	R0632601	FILTERKORB GROB, 200µ (CYCLONX)	1	22	R0657900	BEFESTIGUNGSSTIFT FÜR MOTORBLOCK	1
10	R0632602	FILTERKORB SEHR FEIN, 60µ (CYCLONX)	1	23	R0662600	HALTERUNG STEUERBOX	1
11	R0633001	STEUERBOX TYP 2 C (CYCLONX)	1	24	R0722400	BÜRSTENWALZE + ANTRIEBSACHSEN C	2
12	R0633200	TURBINE (CYCLONX)	1	25	R0878700	GEHÄUSEDECKEL KOMPLETT	1
13	R0633300	AUSLASSVENTIL CYCLONX (SET mit 3 Stk)	1	26	R0878800	BÜRSTEN (*2)	1

CODIGO **WR000242**

DESCRIÇÃO: RC 4045



PORTUGUES

POS	CODIGO	DESCRIÇÃO	JANTIDADE	POS	CODIGO	DESCRIÇÃO	JANTIDADE
1	R0516700	PARAFUSO 4*12 MM (Pack 5 UN)	1	14	R0633400	ESTRUTURA INTERIOR CYCLONX	1
2	R0608500	PARAFUSO 4*16 MM A4 (Pack 5 UN)	1	15	R0633500	CANALIZADOR DE FLUXO CYCLONX	1
3	R0631901	PEGA COMPLETA BRANCA ZODIAC	1	16	R0633600	SUPORTE PEGA RAL7021	2
4	R0632000	BLOCO MOTOR CYCLONX	1	17	R0633701	ESTRUTURA BRANCA COMPLETA CYCLON	2
5	R0632100	CABO FLUTUANTE 15M CYCLONX	1	18	R0633800	PLACA INFERIOR CYCLONX	1
6	R0632203	CASSETE LIVRE CYCLONX CINZENTA	1	19	R0633900	LAGARTAS CYCLONX (PACK 2 UN)	1
7	R0632303	CASSETE LADO MOTOR TRAÇÃO CYCLON	1	20	R0634100	CORPO LIGAÇÃO 3 PINS	1
8	R0632600	FILTRO 100µ CYCLONX ZODIAC	1	21	R0634200	CABO FLUTUANTE CYCOLNX ZODIAC	1
9	R0632601	FILTRO 200µ CYCLONX ZODIAC	1	22	R0657900	PASSADOR Ø4 EIXO BLOCO MOTOR (PACK	1
10	R0632602	FILTRO 60µ CYCLONX ZODIAC	1	23	R0662600	SUPORTE CAIXA DE COMANDOS	1
11	R0633001	UNIDADE DE CONTROLO TIPO 2 C	1	24	R0722400	ROLO PORTA-ESCOVAS + FIXADOR C	2
12	R0633200	HÉLICE CYCLONX	1	25	R0878700	TAMPA COMPLETA	1
13	R0633300	BORRACHA DE EVACUAÇÃO CYCLONX (P)	1	26	R0878800	ESCOVAS (*2)	1