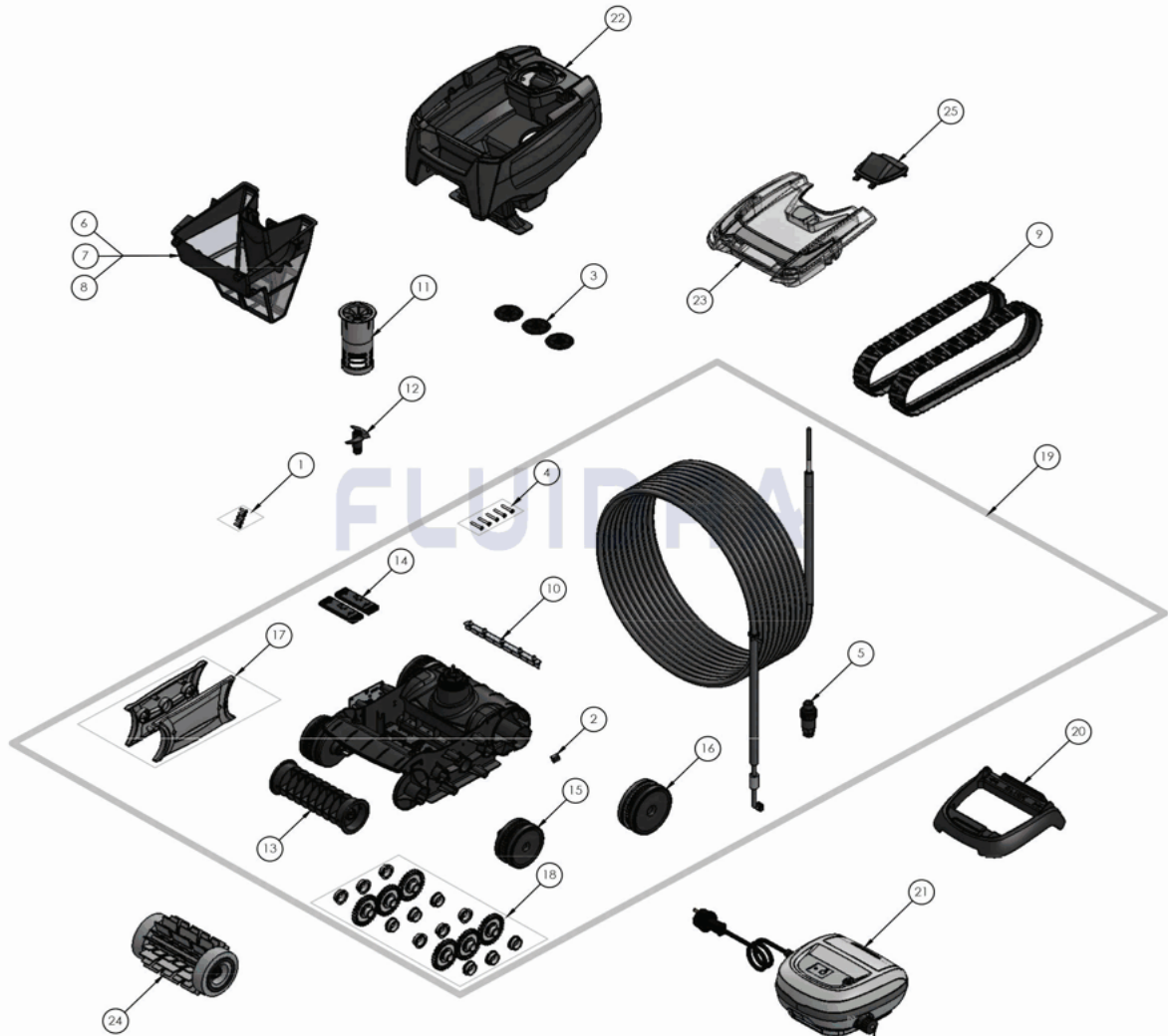


CODIGO **WR000126**

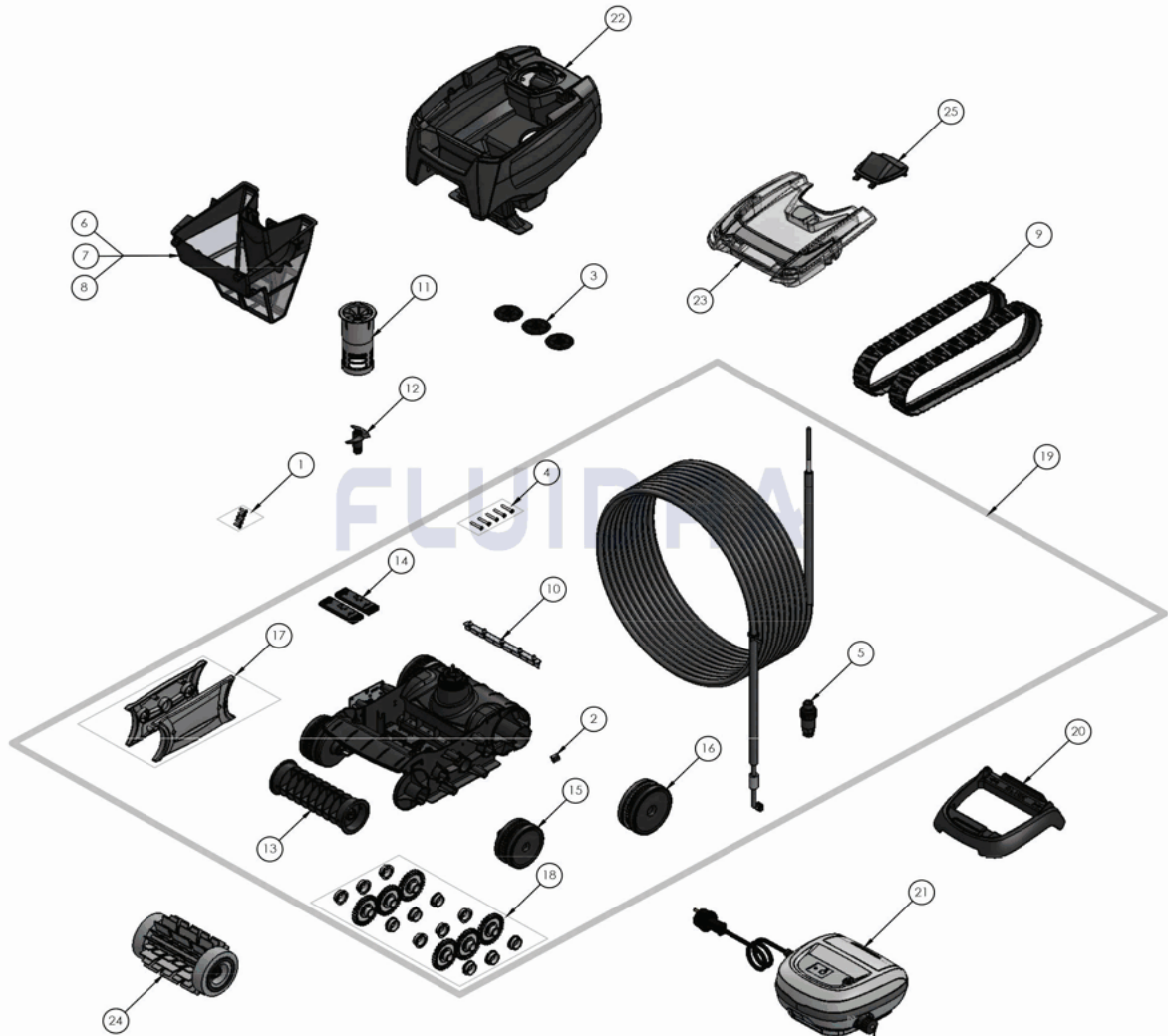
DESCRIPCION: OT 3200 TILE



ESPAÑOL

POS	CODIGO	DESCRIPCION	CANTIDAD	POS	CODIGO	DESCRIPCION	CANTIDAD
1	R0516700	TORNILLO 4*12 MM (PACK DE 5 UN.)	1	14	R0767100	LASTRES (PACK DE 2 UN)	1
2	R0657900	PASADOR ø4 EJE BLOQUE MOTOR (PACK	1	15	R0771800	RUEDAS DELANTERAS COMPLETAS (PACK	1
3	R0633300	GOMA DE EVACUACIÓN CYCLONX (Pack 3	1	16	R0771900	RUEDAS TRASERAS COMPLETAS (PACK DI	1
4	R0638900	TORNILLO 4*25 MM (Pack 5 UN)	1	17	R0772000	TAPAS LATERALES	1
5	R0565600	CONECTOR DE CABLE 4 PINS	1	18	R0772100	KIT ENGRANAJE COMPLETO	1
6	R0762900	FILTRO RESIDUOS FINOS 100µ	1	19	R0767400	CHASIS COMPLETO	1
7	R0763000	FILTRO RESIDUOS GRUESOS 200µ	1	20	R0662600	SOPORTE UNIDAD DE CONTROL	1
8	R0763100	FILTRO RESIDUOS MUY FINOS 60µ	1	21	R0762300	UNIDAD DE CONTROL FONDO+ PAREDES	1
9	R0765600	ORUGAS (PACK DE 2 UN)	1	22	R0766400	CUERPO COMPLETO TIPO 2	1
10	R0765800	LÁMINAS (PACK DE 5 UN)	1	23	R0764200	TAPA COMPLETA TIPO 8	1
11	R0766100	CANALIZADOR DE FLUJO INTERIOR	1	24	R0774900	CEPILLOS PISCINAS GRESITE	1
12	R0766200	HÉLICE	1	25	R0772300	CANALIZADOR DE FLUJO EXTERIOR GRIS	1
13	R0767000	SOPORTE CEPILLOS	1				

CODE **WR000126**

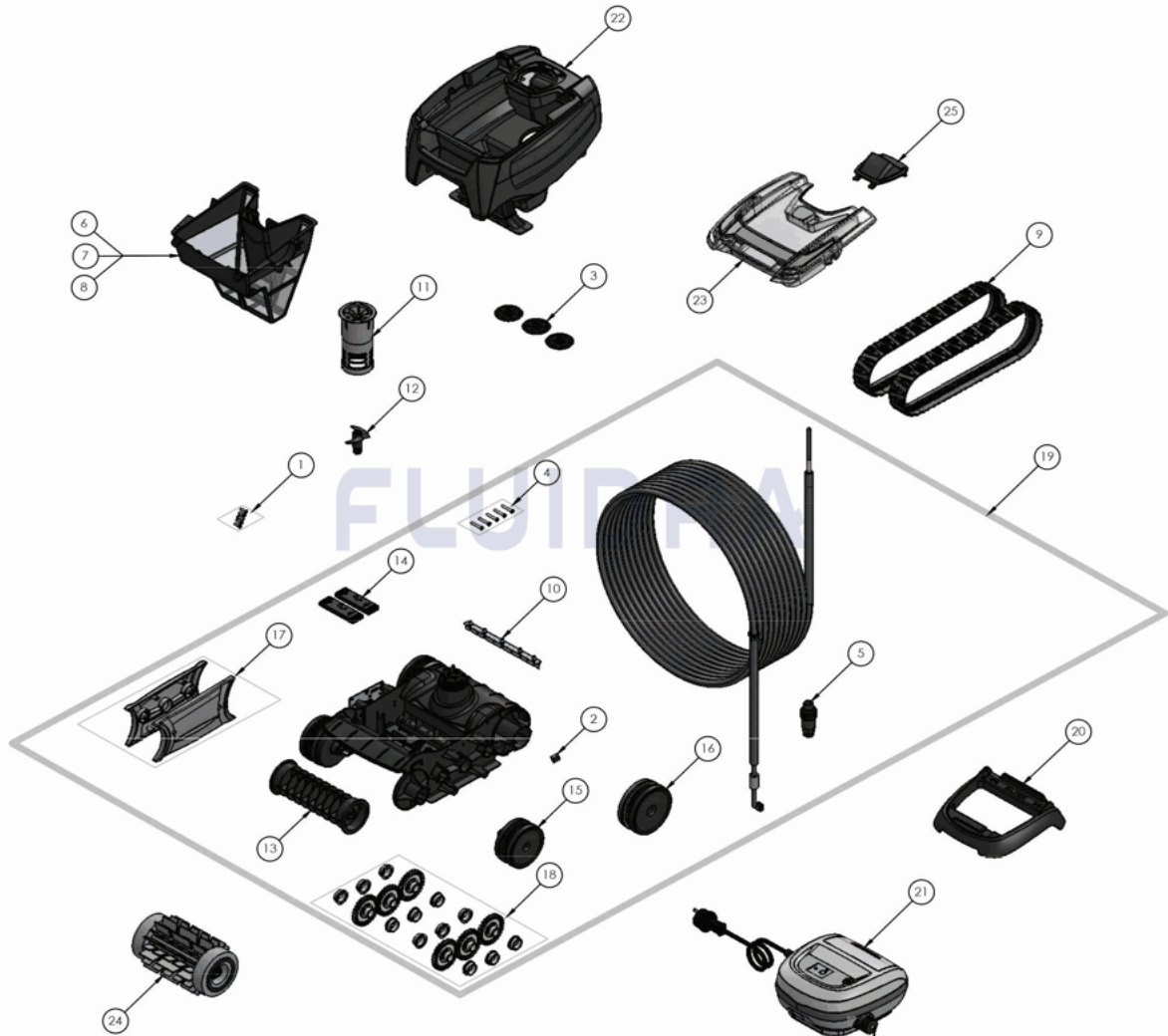
 DESCRIPTION: **OT 3200 TILE**


FRANCAIS

POS	CODE	DESCRIPTION	QUANTITE	POS	CODE	DESCRIPTION	QUANTITE
1	R0516700	VIS 4*12 MM (X5)	1	14	R0767100	LESTS (*2)	1
2	R0657900	GOUPILLE ø4 AXE BLOC MOTEUR (*5)	1	15	R0771800	ROUES AVANT COMPLETES (*2)	1
3	R0633300	CLAPET EVACUATION CYCLONX (*3)	1	16	R0771900	ROUES ARRIERE COMPLETES (*2)	1
4	R0638900	VIS 4*25 MM (*5)	1	17	R0772000	FLASQUES	1
5	R0565600	CONNECTEUR 4 PTS	1	18	R0772100	KIT COMPLET ENGRENAGE	1
6	R0762900	FILTRE DEBRIS FINS	1	19	R0767400	CHASSIS COMPLET	1
7	R0763000	FILTRE DEBRIS LARGES	1	20	R0662600	SOCLE COFFRET COMMANDE	1
8	R0763100	FILTRE DEBRIS TRES FINS	1	21	R0762300	COFFRET COMMANDE FOND PAROI	1
9	R0765600	CHENILLES (*2)	1	22	R0766400	COQUE COMPLETE TYPE 2	1
10	R0765800	LAMELLES (*5)	1	23	R0764200	COUVERCLE COMPLET TYPE 8	1
11	R0766100	GUIDE FLUX INTERIEUR	1	24	R0774900	BROSSE PISCINE CARRELAGE	1
12	R0766200	HELICE	1	25	R0772300	GUIDE FLUX EXTERIEUR GRIS	1
13	R0767000	SUPPORT BROSSE	1				

CODE **WR000126**

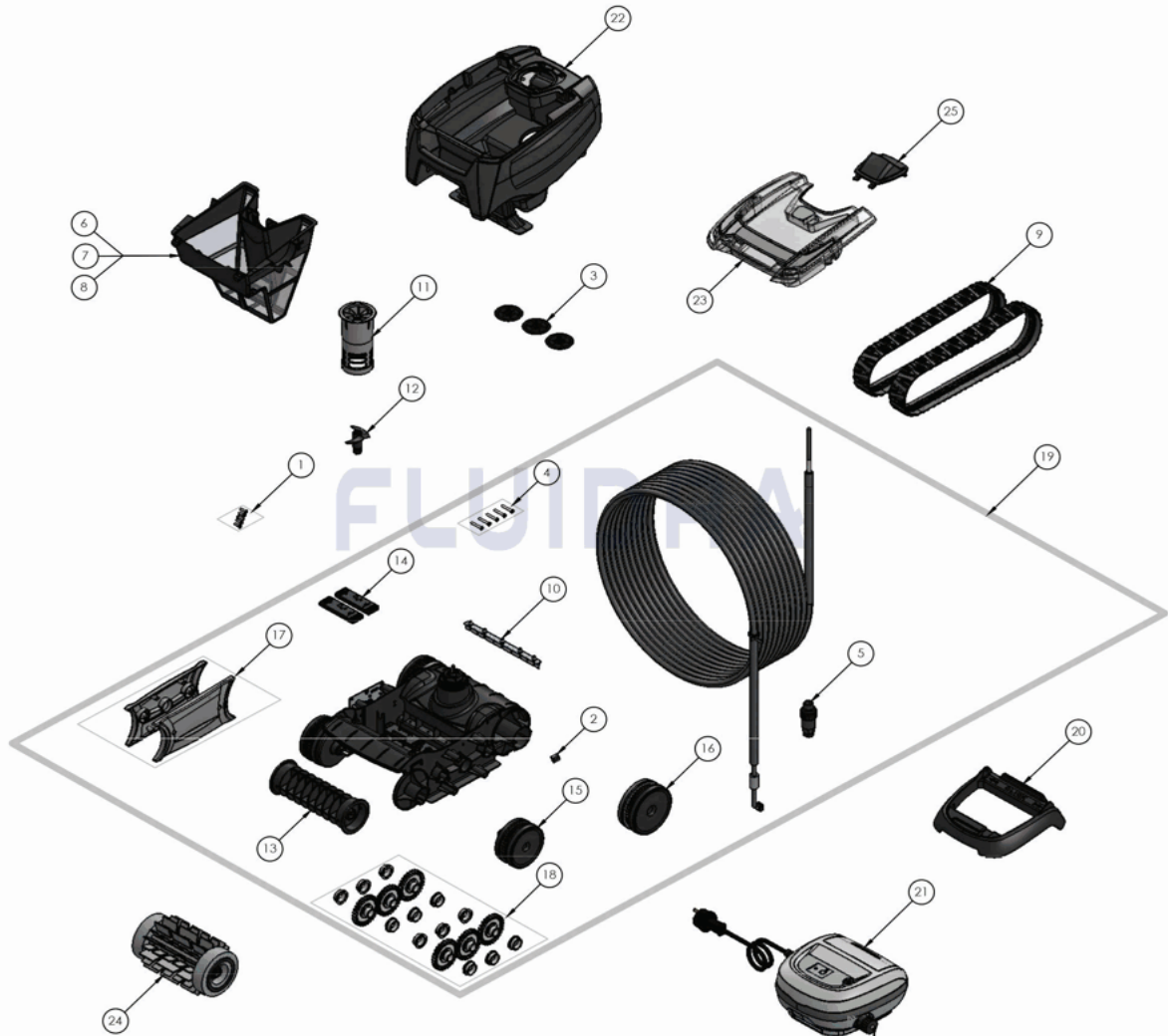
DESCRIPTION: OT 3200 TILE



ENGLISH

POS	CODE	DESCRIPTION	QUANTITY	POS	CODE	DESCRIPTION	QUANTITY
1	R0516700	SCREWS 4*12 MM (X5)	1	14	R0767100	BALLAST (SET OF 2)	1
2	R0657900	MOTOR BLOCK SHAFT PIN Ø4 (SET OF 5)	1	15	R0771800	COMPLETE FRONT WHEELS (SET OF 2)	1
3	R0633300	EXHAUST VALVE CYCLONX (SET OF 3)	1	16	R0771900	COMPLETE BACK WHEELS (SET OF 2)	1
4	R0638900	SCREW 4*25 MM (SET OF 5)	1	17	R0772000	FLANGES	1
5	R0565600	FLOATING CABLE PLUG	1	18	R0772100	COMPLETE GEARS KIT	1
6	R0762900	FINE FILTER	1	19	R0767400	COMPLETE CHASSIS	1
7	R0763000	LARGE FILTER	1	20	R0662600	CONTROL UNIT BASE	1
8	R0763100	ULTRA FINE FILTER	1	21	R0762300	CONTROL UNIT FLOOR & WALL	1
9	R0765600	TRACKS (SET OF 2)	1	22	R0766400	COMPLETE BODY TYPE 2	1
10	R0765800	BLADES (SET OF 5)	1	23	R0764200	COMPLETE COVER TYPE 8	1
11	R0766100	INTERNAL FLOW OUTLET	1	24	R0774900	TILE BRUSH KIT	1
12	R0766200	IMPELLER	1	25	R0772300	EXTERNAL FLOW OUTLET GREY	1
13	R0767000	BRUSH HOLDER	1				

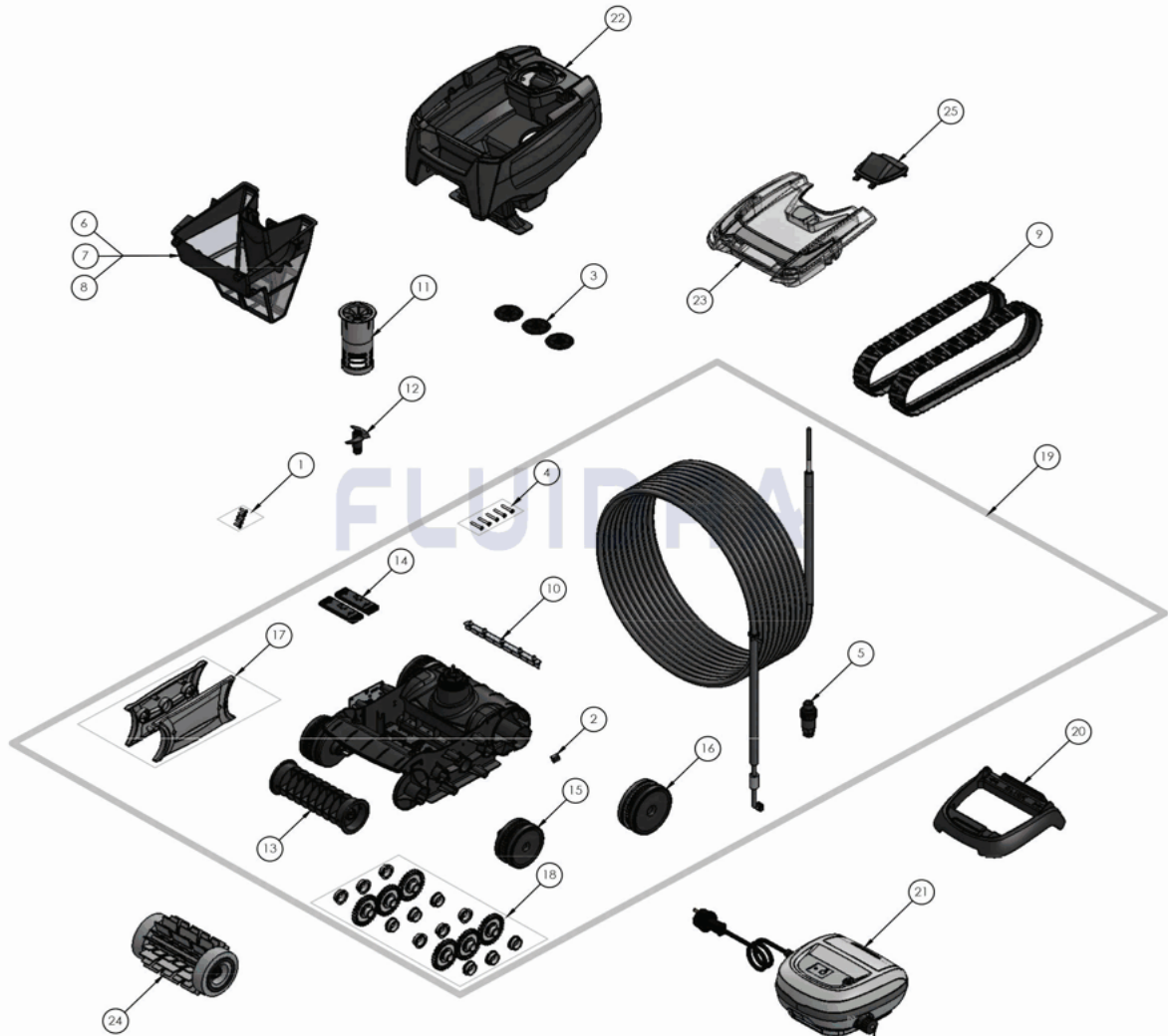
CODICE **WR000126**

 DESCRIZIONE: **OT 3200 TILE**

ITALIANO

POS	CODICE	DESCRIZIONE	QUANTITA'	POS	CODICE	DESCRIZIONE	QUANTITA'
1	R0516700	VITE 4*12 MM (*5)	1	14	R0767100	CONTRAPPESI (KIT 2*)	1
2	R0657900	KIT 5 PIN ALBERO MOTORE	1	15	R0771800	RUOTE ANTERIORI COMPLETE (KIT 2*)	1
3	R0633300	VALVOLA DI EVACUAZIONE CYCLONX (*3)	1	16	R0771900	RUOTE POSTERIORI COMPLETE (KIT 2*)	1
4	R0638900	VITE 4*25 MM (*5)	1	17	R0772000	FLANGE	1
5	R0565600	CONNETTORE CAVO	1	18	R0772100	KIT INGRANAGGI COMPLETO	1
6	R0762900	FILTRO FINE	1	19	R0767400	TELAIO COMPLETO	1
7	R0763000	FILTRO LARGO	1	20	R0662600	PIEDISTALLO QUADRO COMANDI	1
8	R0763100	FILTRO ULTRA FINE	1	21	R0762300	QUADRO COMANDI FONDO PARETI	1
9	R0765600	CINGOLI (KIT 2*)	1	22	R0766400	SCocca COMPLETA TIPO 2	1
10	R0765800	LAME (KIT 5*)	1	23	R0764200	COVER TIPO 8	1
11	R0766100	GUIDA DI FLUSSO INTERNA	1	24	R0774900	KIT SPAZZOLE PIASTRELLE	1
12	R0766200	ELICA	1	25	R0772300	GUIDA FLUSSO ESTERNA GRIGIA	1
13	R0767000	SUPPORTO SPAZZOLA	1				

CODE **WR000126**

BESCHREIBUNG: OT 3200 TILE

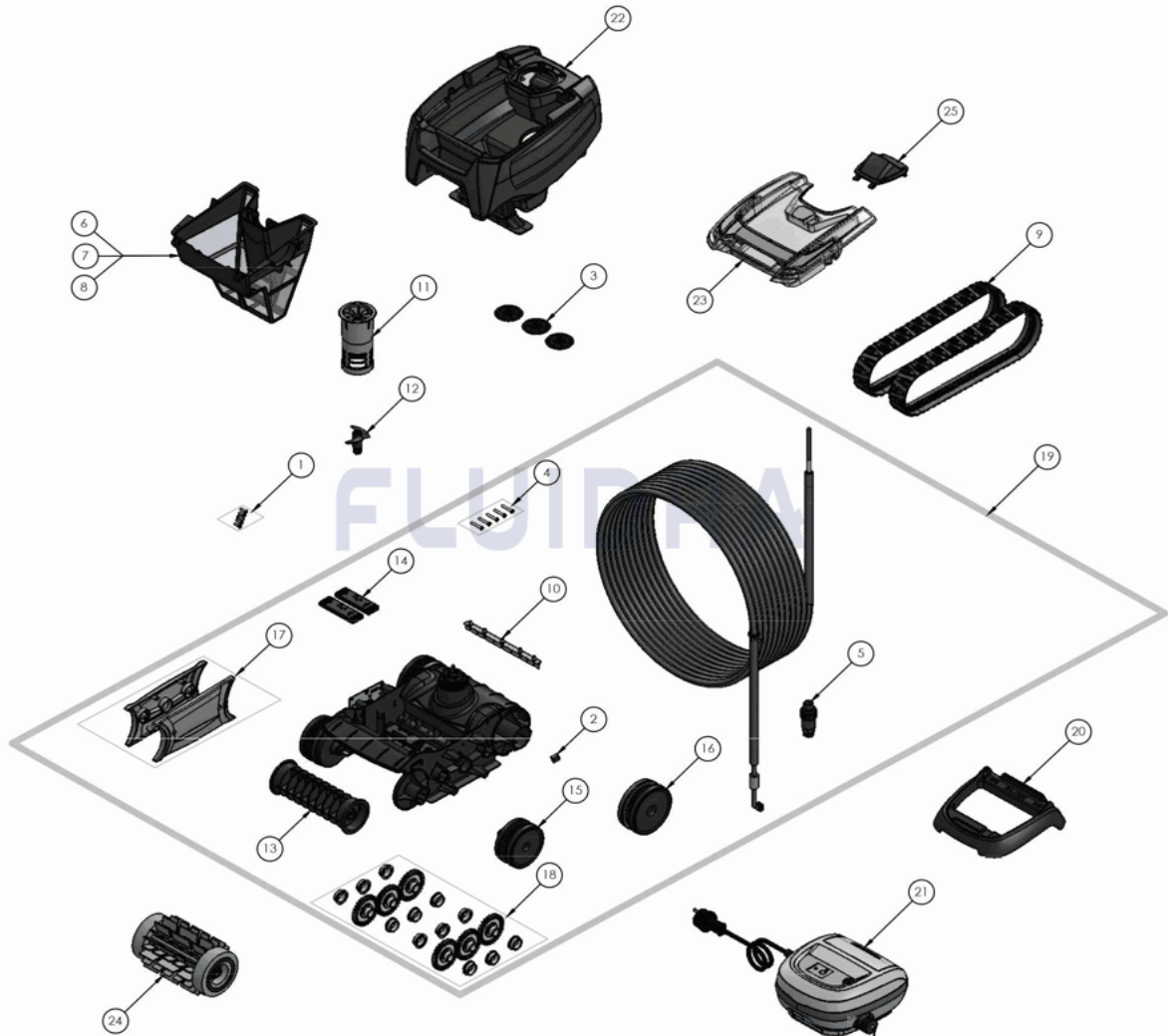


DEUTSCH

POS	CODE	BESCHREIBUNG	MENGE	POS	CODE	BESCHREIBUNG	MENGE
1	R0516700	SCHRAUBE 4 * 12 MM(SET mit 5 Stk.)	1	14	R0767100	BALLAST (SET 2)	1
2	R0657900	BEFESTIGUNGSSTIFT FÜR MOTORBLOCK	1	15	R0771800	KOMPLETTE VORDERRÄDER (SET MIT 2 S'	1
3	R0633300	AUSLASSVENTIL CYCLONX (SET mit 3 Stk)	1	16	R0771900	KOMPLETTE HINTERRÄDER (SET MIT 2 STI	1
4	R0638900	SCHRAUBE 4 * 25 MM, A2 (SET mit 5 Stk.)	1	17	R0772000	SEITENTEILE (RECHTS / LINKS)	1
5	R0565600	SCHWIMMKABEL STECKER (4 PTS)	1	18	R0772100	KOMPLETTES GETRIEBESET	1
6	R0762900	FILTERKORB FEIN	1	19	R0767400	KOMPLETTE MOTORBOX MIT KABEL	1
7	R0763000	FILTERKORB GROB	1	20	R0662600	HALTERUNG STEUERBOX	1
8	R0763100	FILTERKORB SEHR FEIN	1	21	R0762300	STEUERBOX BODEN- & WANDMODUS	1
9	R0765600	RAUPENBAND (SET MIT 2 STÜCK)	1	22	R0766400	KOMPLETTES GEHÄUSE TYP 2	1
10	R0765800	REINIGUNGSLAMELLE (SET MIT 5 STÜCK)	1	23	R0764200	GEHÄUSEDECKEL KOMLETT TYP 8	1
11	R0766100	STRÖHMUNGSFÜHRUNG INNEN	1	24	R0774900	FLIESENBÜRSTE (PVA SET)	1
12	R0766200	PROPELLER	1	25	R0772300	STRÖHMUNGSLEITER AUSSEN GRAU	1
13	R0767000	BÜRSTENHALTER	1				

CODIGO **WR000126**

DESCRIÇÃO: OT 3200 TILE



PORTUGUES

POS	CODIGO	DESCRIÇÃO	JANTIDADE	POS	CODIGO	DESCRIÇÃO	JANTIDADE
1	R0516700	PARAFUSO 4*12 MM (Pack 5 UN)	1	14	R0767100	LASTROS (PACK 2 UN)	1
2	R0657900	PASSADOR Ø4 EIXO BLOCO MOTOR (PACK 2 UN)	1	15	R0771800	RODAS DIANTEIRAS COMPLETAS (PACK 2 UN)	1
3	R0633300	BORRACHA DE EVACUAÇÃO CYCLONX (PACK 2 UN)	1	16	R0771900	RODAS TRASEIRAS COMPLETAS (PACK 2 UN)	1
4	R0638900	PARAFUSO 4*25 MM (Pack 5 UN)	1	17	R0772000	TAMPAS LATERAIS	1
5	R0565600	LIGAÇÃO DE CABO 4 PINS	1	18	R0772100	KIT ENGRENAGENS COMPLETO	1
6	R0762900	FILTRO RESÍDUOS FINOS 100µ	1	19	R0767400	CHASSIS COMPLETO	1
7	R0763000	FILTRO RESÍDUOS GRANDES 200µ	1	20	R0662600	SUPORTE CAIXA DE COMANDOS	1
8	R0763100	FILTRO RESÍDUOS ULTRA-FINOS 60µ	1	21	R0762300	CAIXA DE COMANDOS FUNDO+PAREDES	1
9	R0765600	LAGARTAS (PACK 2 UN)	1	22	R0766400	CORPO COMPLETO TIPO 2	1
10	R0765800	ESCOVAS LÂMINAS (PACK 5 UN)	1	23	R0764200	TAMPA COMPLETA TIPO 8	1
11	R0766100	BOCAL FLUXO INTERIOR	1	24	R0774900	ESCOVAS PISCINA EM PASTILHA	1
12	R0766200	HÉLICE	1	25	R0772300	BOCAL FLUXO EXTERIOR CINZA	1
13	R0767000	SUPORTE ESCOVAS	1				