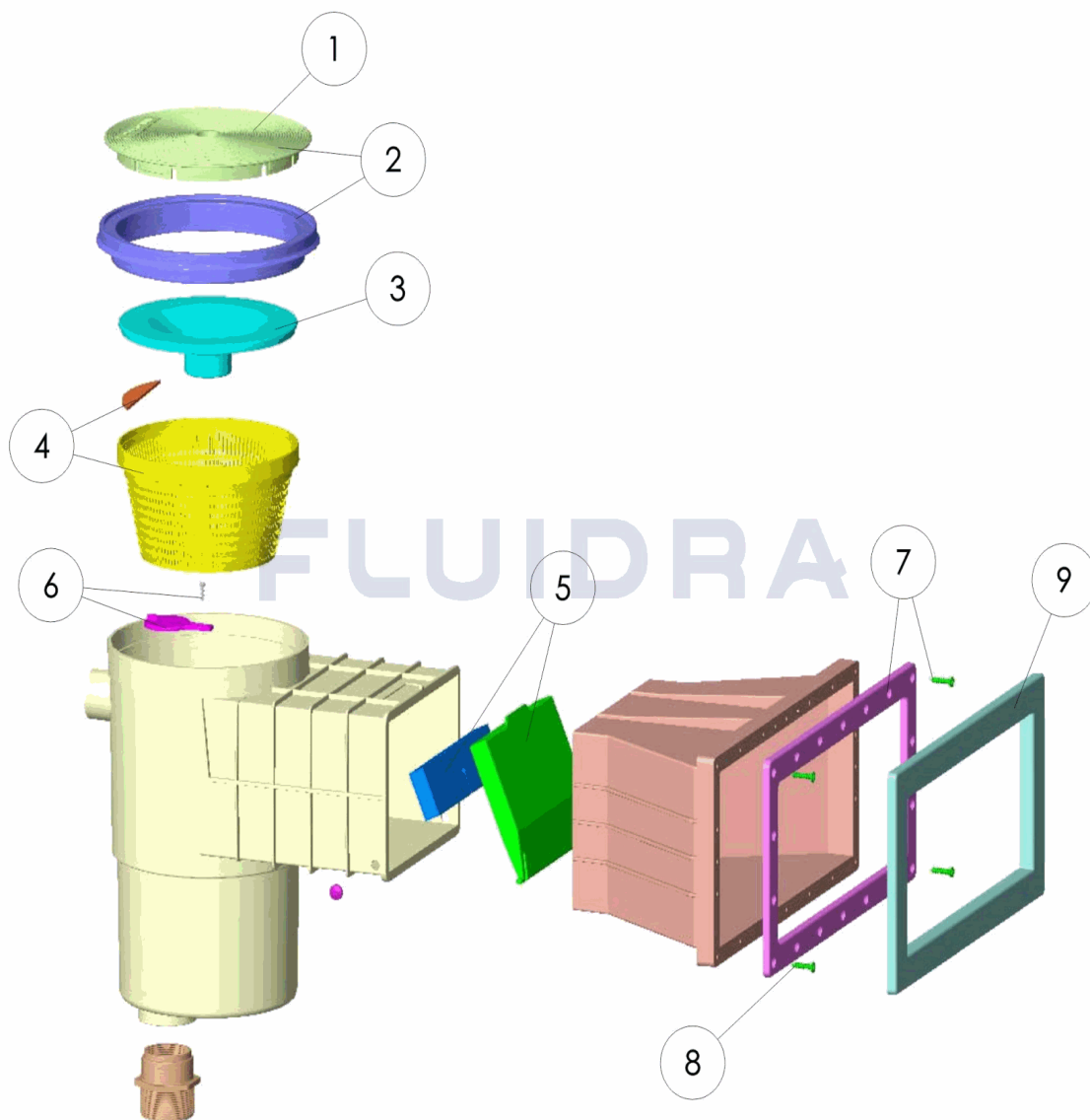
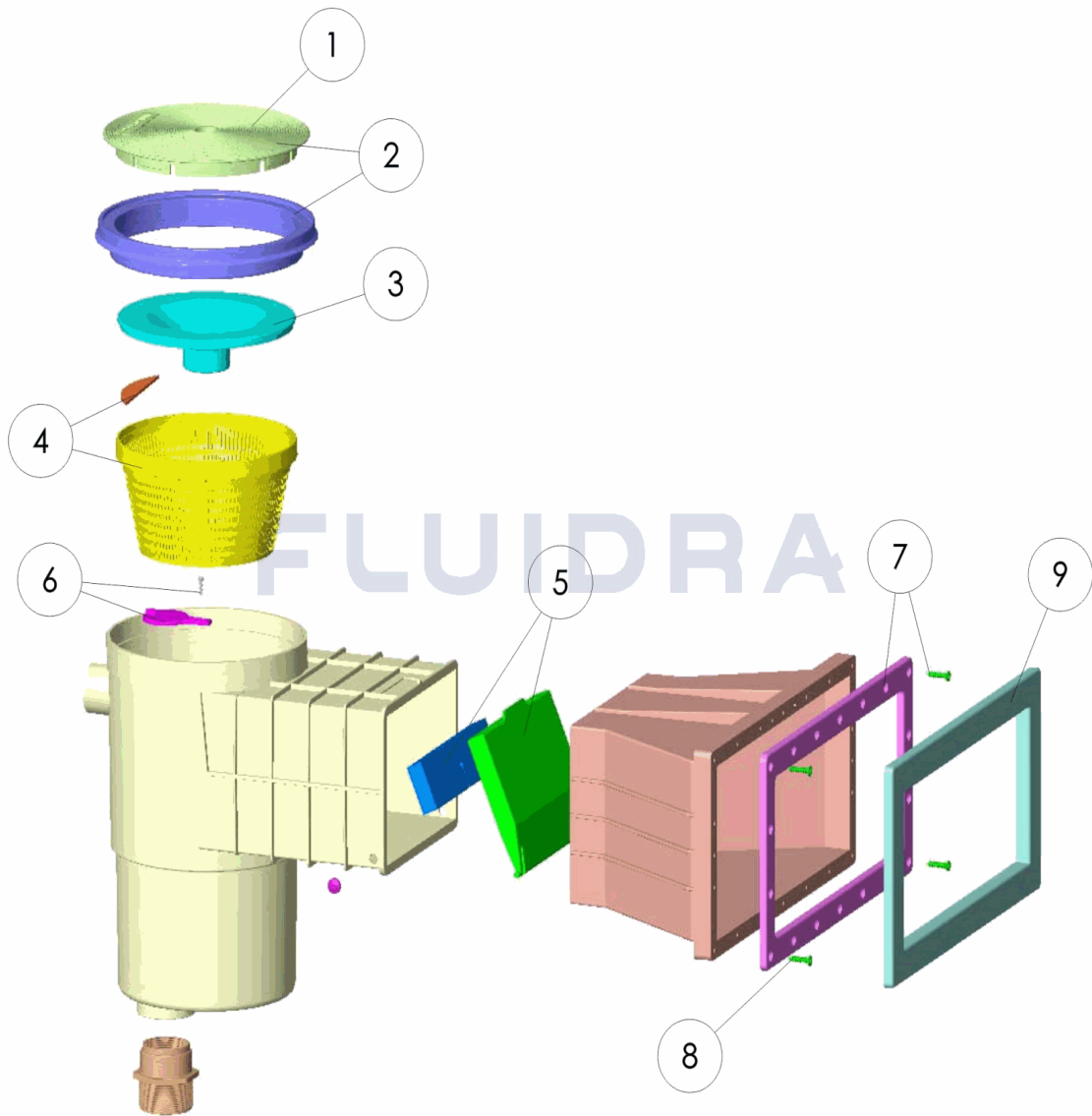


CODIGO **HSA200TR**

 DESCRIPCION: **SKIMMER HYDROSWIM BOCA AMPLIACION PISCINA HORMIGON TAPA RE**

**ESPAÑOL**

POS	CODIGO	DESCRIPCION	CANTIDAD	POS	CODIGO	DESCRIPCION	CANTIDAD
1	CE02012201	TAPA CIRCULAR SKIMMER		6	CE02010102	CLAPETA SKIMMER	
2	CE02012302	TAPA CIRCULAR CON ARO		7	CE02012408	BRIDA BOCA CON TORNILLOS	
3	CE02012203	TAPA ASPIRACION SKIMMER		8	CE11030614	TORNILLERIA MARCO	
4	CE02012204	CESTO SKIMMER		9	CE02012410	EMBELLECEDOR SKIMMER	
5	CE02012205	COMPUERTA SKIMMER					

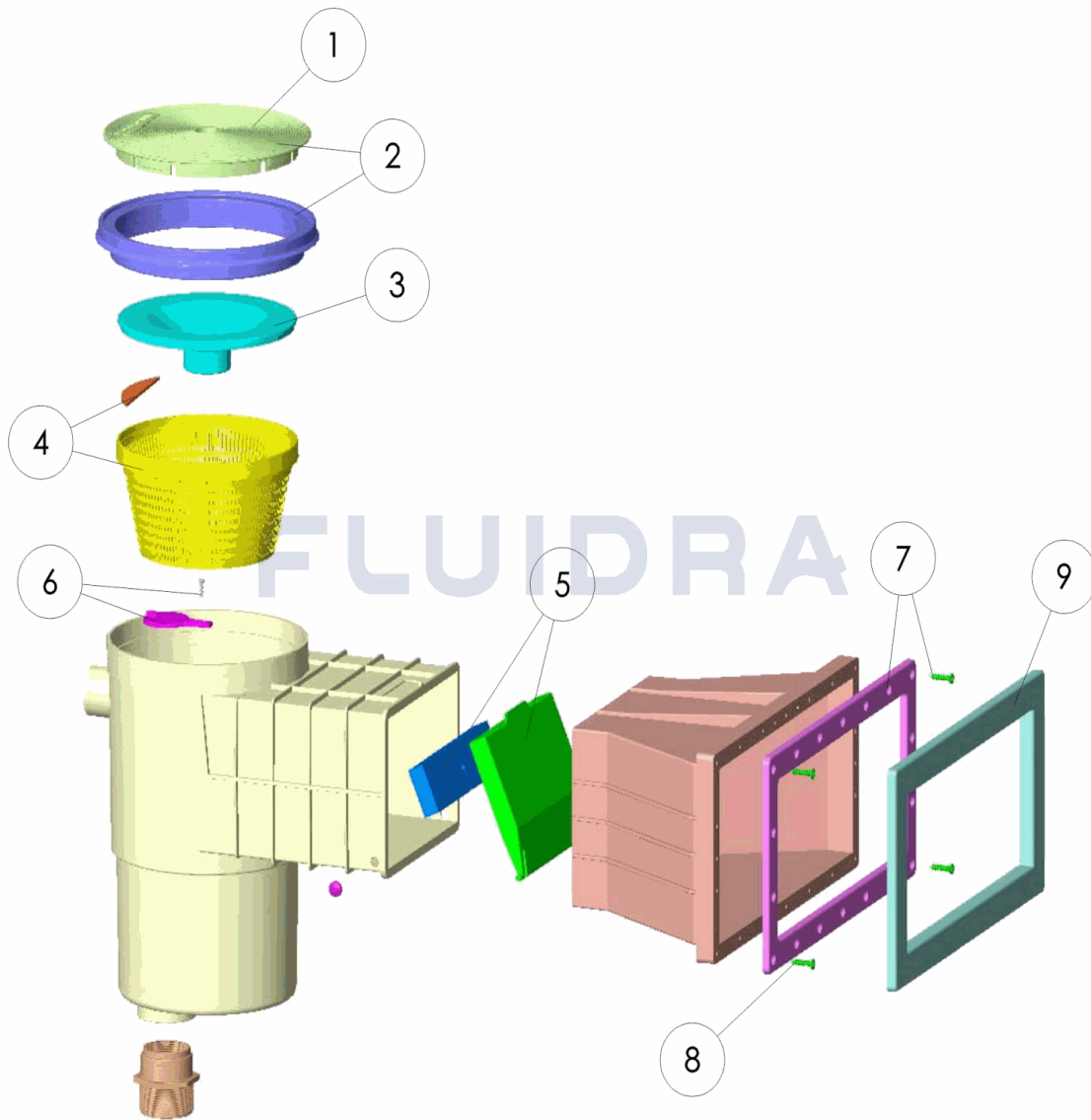
CODE **HSA200TR**

 DESCRIPTION: **SKIMMER HYDROSWIM OUVERTURE ÉLARGISSEMENT PISCINE BÉTON C**

**FRANCAIS**

POS	CODE	DESCRIPTION	QUANTITE	POS	CODE	DESCRIPTION	QUANTITE
1	CE02012201	COUVERCLE ROND SKIMMER		6	CE02010102	CLAPET SKIMMER	
2	CE02012302	COUVERCLE ROND ET CADRE		7	CE02012408	BRIDE BOUCHE ET VIS	
3	CE02012203	COUVERCLE ASPIRATION SKIMMER		8	CE11030614	VIS FACADE	
4	CE02012204	PANIER SKIMMER		9	CE02012410	ENJOLIVEUR SKIMMER	
5	CE02012205	COLET DE SKIMMER					

CODE **HSA200TR**

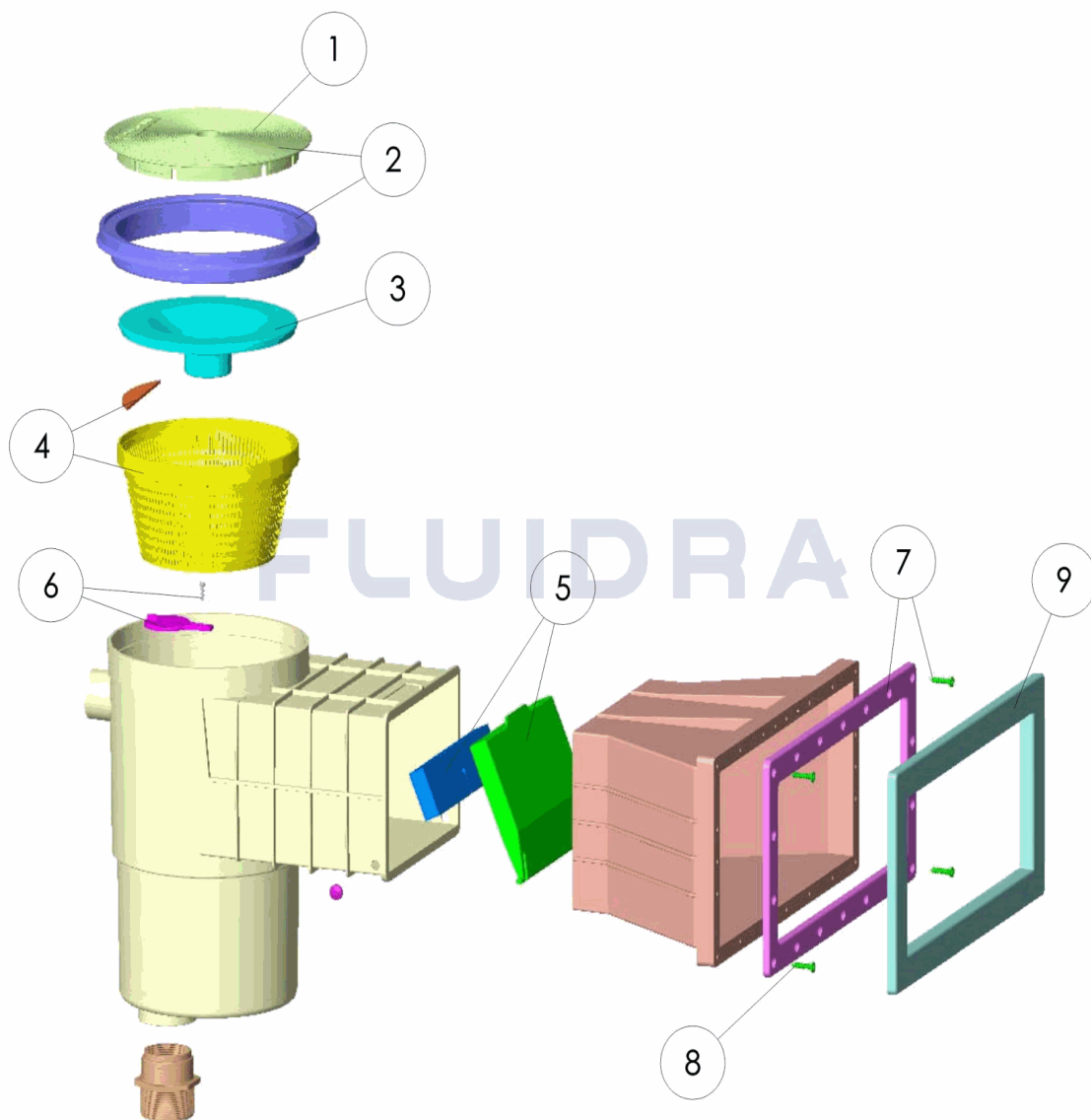
DESCRIPTION: **HYDROSWIM EXTENDED MOUTH SKIMMER CONCRETE POOL ROUND CO**



**ENGLISH**

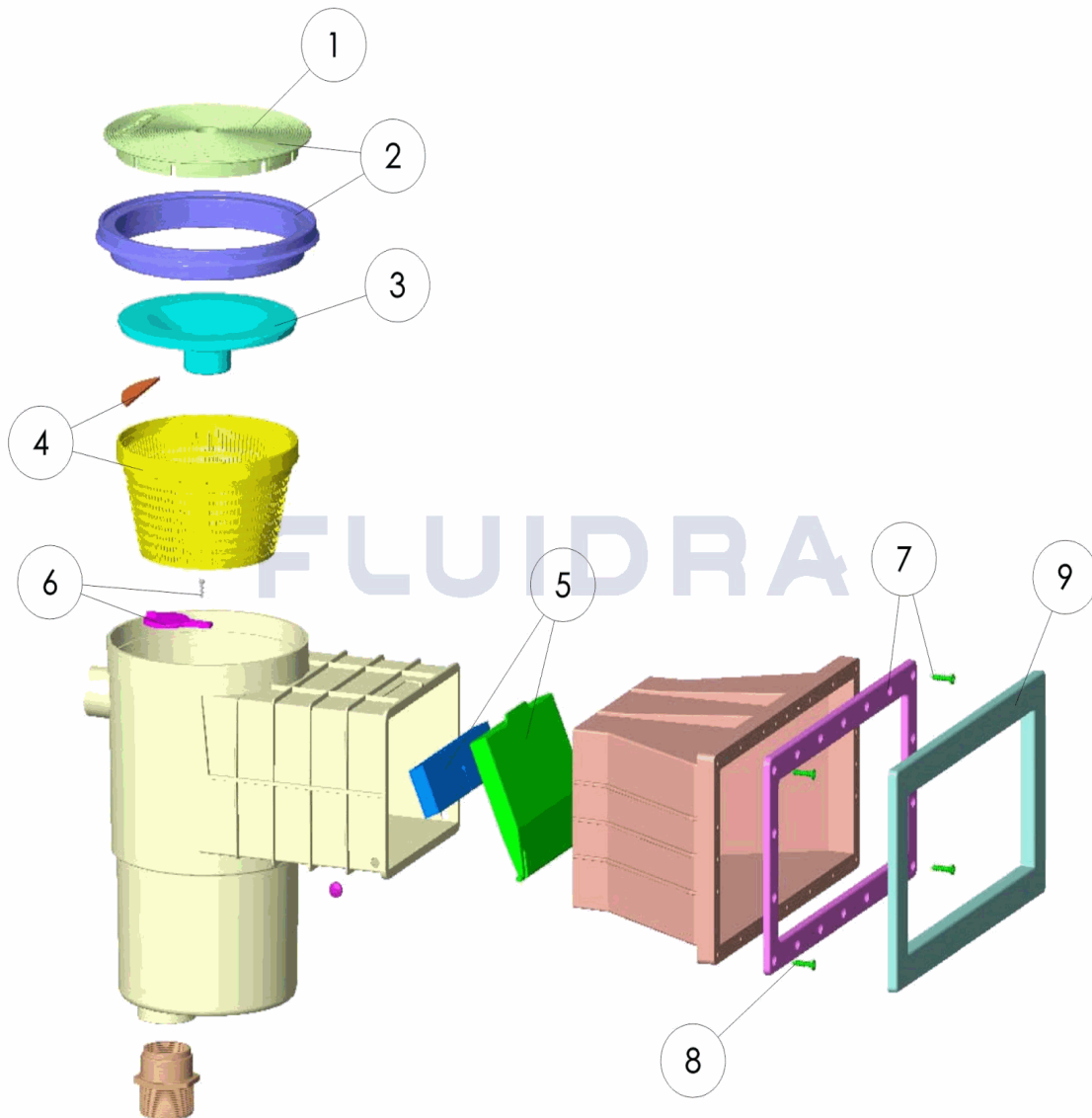
POS	CODE	DESCRIPTION	QUANTITY	POS	CODE	DESCRIPTION	QUANTITY
1	CE02012201	CIRCULAR SKIMMER LID		6	CE02010102	KEYHOLE FLAP	
2	CE02012302	FRAME WITH CIRCULAR COVER		7	CE02012408	FLANGE MOUTH WITH SCREWS	
3	CE02012203	SKIMMER BASKET FOR ABOVE GROUND		8	CE11030614	FRAME SCREWS	
4	CE02012204	SKIMMER BASKET		9	CE02012410	SKIMMER FACEPLATE	
5	CE02012205	SKIMMER FLAP					

CODICE **HSA200TR**

 DESCRIZIONE: **SKIMMER HYDROSWIM BOCCHETTA D'AMPLIAZIONE PISCINA IN CEMEN**

**ITALIANO**

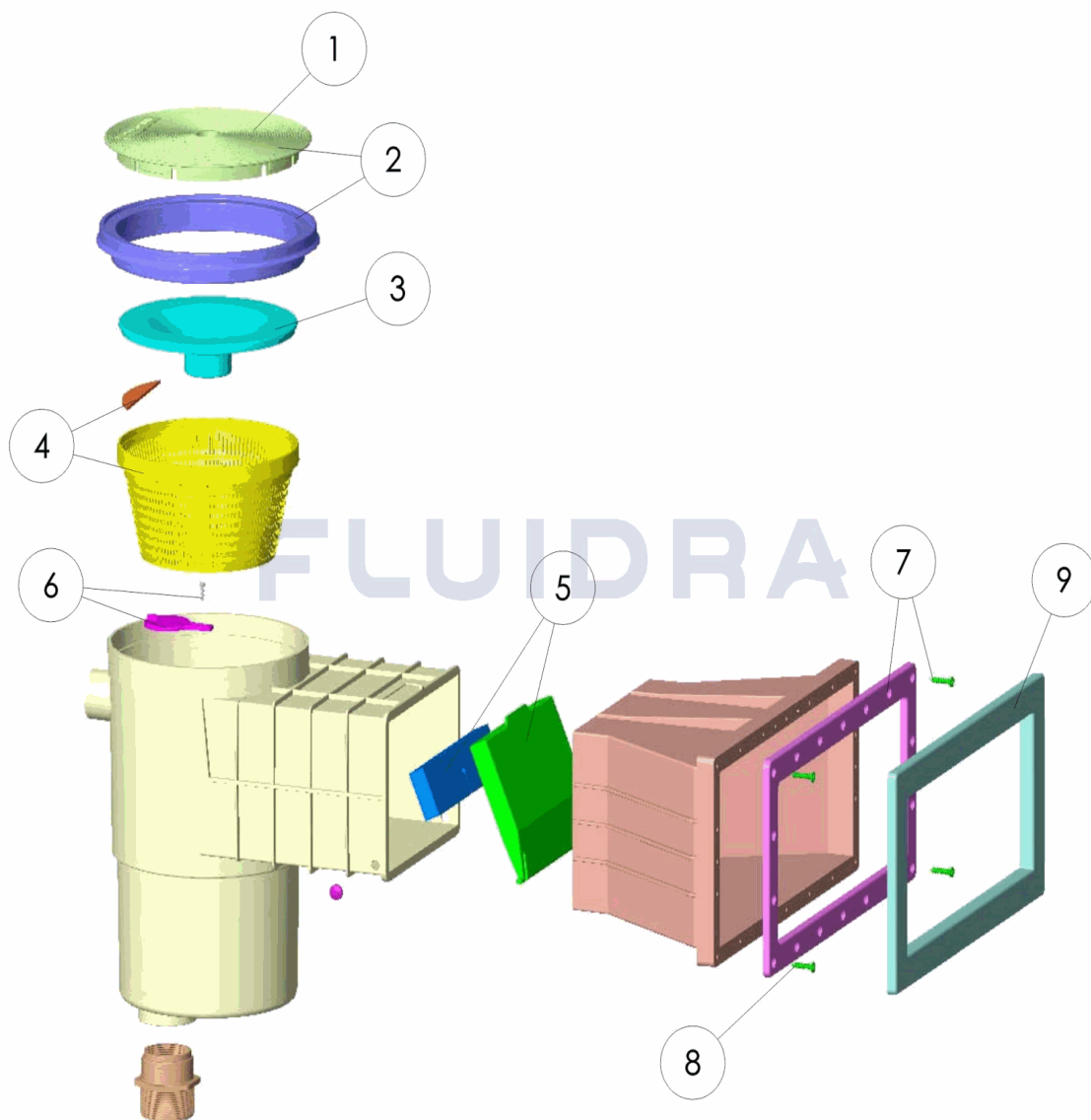
POS	CODICE	DESCRIZIONE	QUANTITA'	POS	CODICE	DESCRIZIONE	QUANTITA'
1	CE02012201	COPERCHIO TONDO SKIMMER		6	CE02010102	ALETTA PARZIALIZZATRICE SKIMMER	
2	CE02012302	COPERCHIO TONDO CON CORNICE		7	CE02012408	BOCCHETTA FLANGIA CON VITI	
3	CE02012203	COPERCHIO ASPIRAZIONE SKIMMER		8	CE11030614	BULLONERIA PER CORNICE	
4	CE02012204	CESTELLO SKIMMER		9	CE02012410	ANELLO FRONTALE SKIMMER	
5	CE02012205	BATTENTE SKIMMER					

CODE **HSA200TR**

 BESCHREIBUNG: **SKIMMER HYDROSWIM EINLASS ERWEITERT BETONBECKEN ABDECK**

**DEUTSCH**

POS	CODE	BESCHREIBUNG	MENGE	POS	CODE	BESCHREIBUNG	MENGE
1	CE02012201	ABDECKUNG RUND SKIMMER		6	CE02010102	ABDECKKAPPE	
2	CE02012302	ABDECKUNG RUND MIT RING		7	CE02012408	EINLASSFLANSCH MIT SCHRAUBEN	
3	CE02012203	ABDECKUNG SKIMMER		8	CE11030614	SCHRAUBENSATZ RAHMEN	
4	CE02012204	SKIMMERKORB		9	CE02012410	BLENDE SKIMMER	
5	CE02012205	SKIMMERKLAPPE					

CODIGO **HSA200TR**

 DESCRIÇÃO: **SKIMMER HYDROSWIM BOCA AMPLIAÇÃO PISCINA BETÃO TAMPA REDON**

**PORTUGUES**

POS	CODIGO	DESCRIÇÃO	JANTIDADE	POS	CODIGO	DESCRIÇÃO	JANTIDADE
1	CE02012201	TAMPA CIRCULAR SKIMMER		6	CE02010102	CLAPETA SKIMMER	
2	CE02012302	TAMPA CIRCULAR COM ARO		7	CE02012408	BOCAL FLANGE COM PARAFUSOS	
3	CE02012203	TAMPA ASPIRAÇÃO SKIMMER		8	CE11030614	PARAFUSOS ARO	
4	CE02012204	CESTO SKIMMER		9	CE02012410	EMBELEZADOR SKIMMER	
5	CE02012205	BATTENTE SKIMMER					