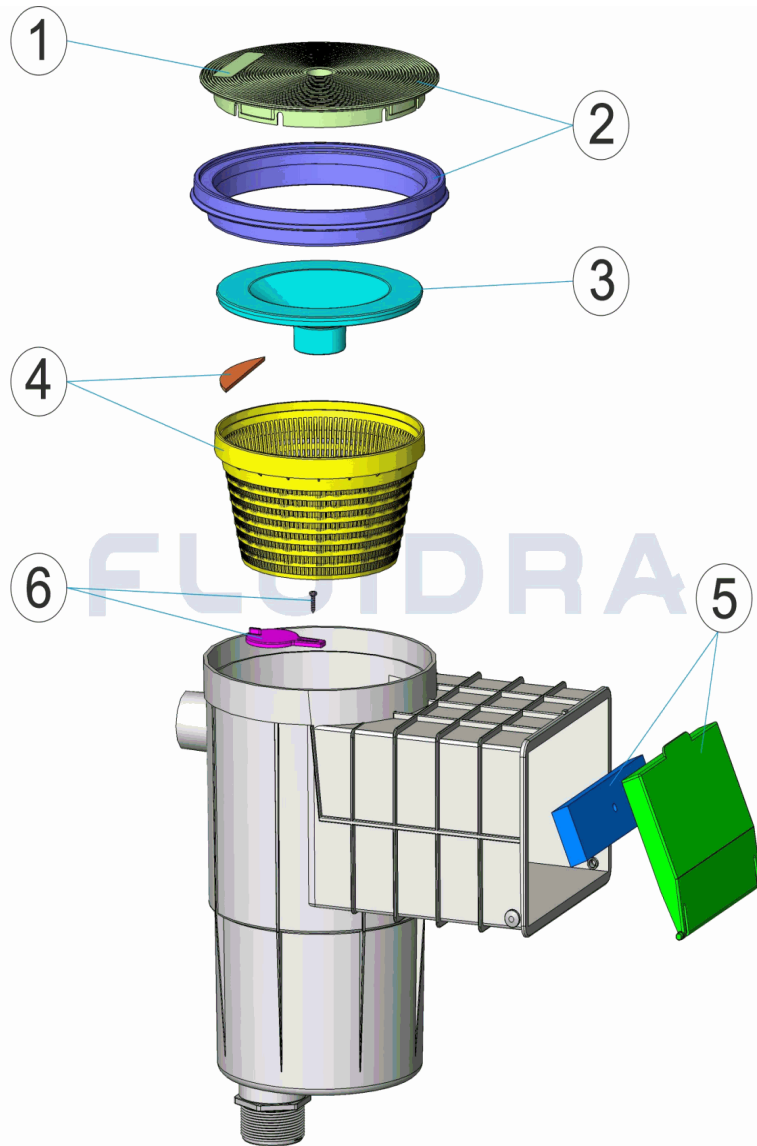


CODIGO **HSA100TR**

DESCRIPCION: **SKIMMER HYDROSWIM PISCINA HORMIGON TAPA REDONDA**

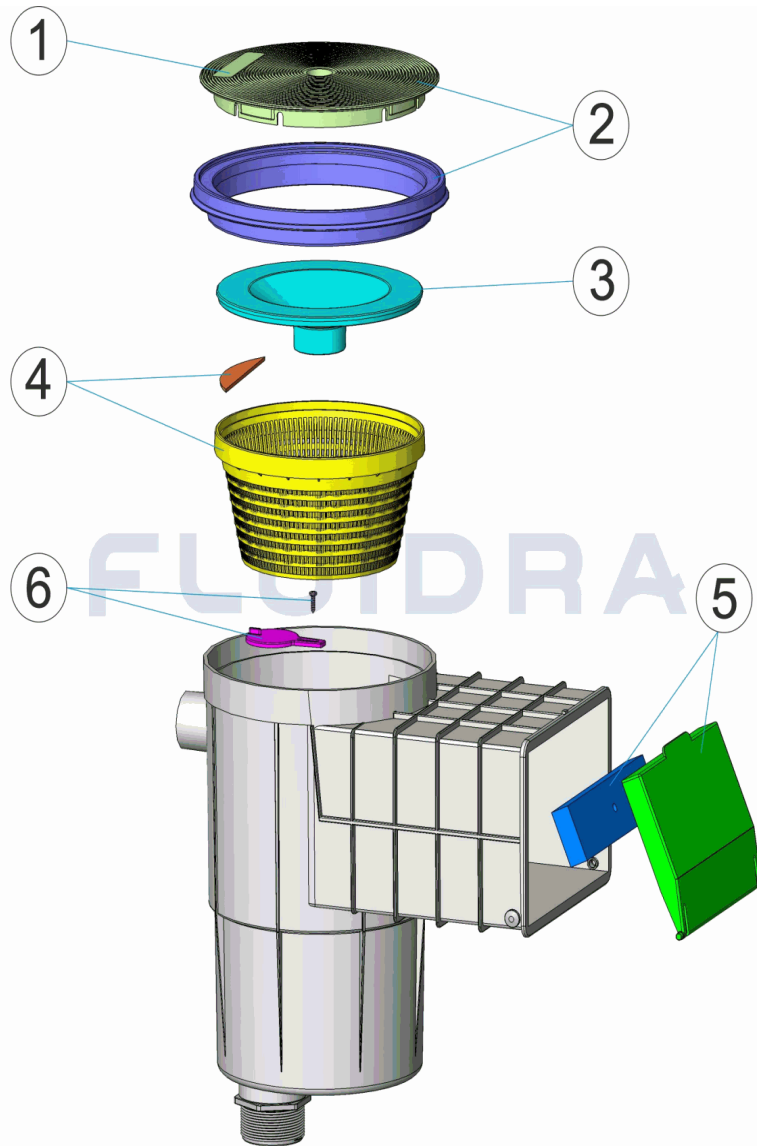


**ESPAÑOL**

POS	CODIGO	DESCRIPCION	CANTIDAD	POS	CODIGO	DESCRIPCION	CANTIDAD
1	CE02012201	TAPA CIRCULAR SKIMMER		4	CE02012204	CESTO SKIMMER	
2	CE02012302	TAPA CIRCULAR CON ARO		5	CE02012205	COMPUERTA SKIMMER	
3	CE02012203	TAPA ASPIRACION SKIMMER		6	CE02010102	CLAPETA SKIMMER	

CODE **HSA100TR**

DESCRIPTION: **SKIMMER HYDROSWIM PISCINE BÉTON COUVERCLE ROND**

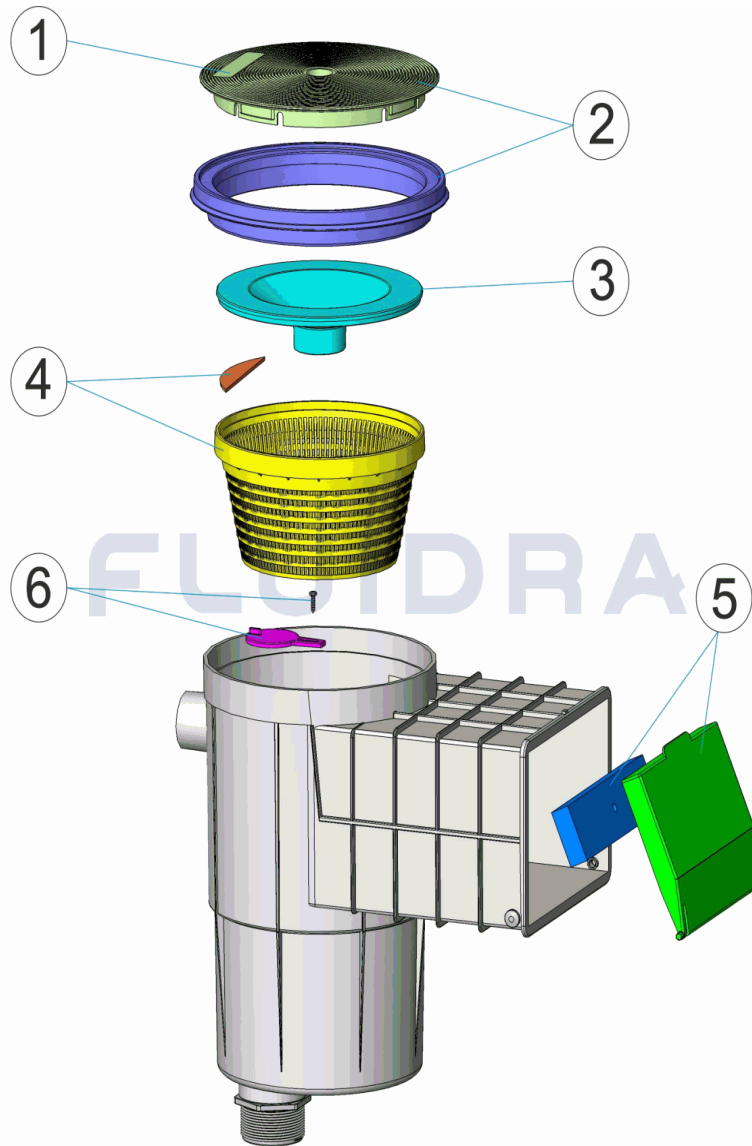


**FRANCAIS**

POS	CODE	DESCRIPTION	QUANTITE	POS	CODE	DESCRIPTION	QUANTITE
1	CE02012201	COUVERCLE ROND SKIMMER		4	CE02012204	PANIER SKIMMER	
2	CE02012302	COUVERCLE ROND ET CADRE		5	CE02012205	COLET DE SKIMMER	
3	CE02012203	COUVERCLE ASPIRATION SKIMMER		6	CE02010102	CLAPET SKIMMER	

CODE                    HSA100TR

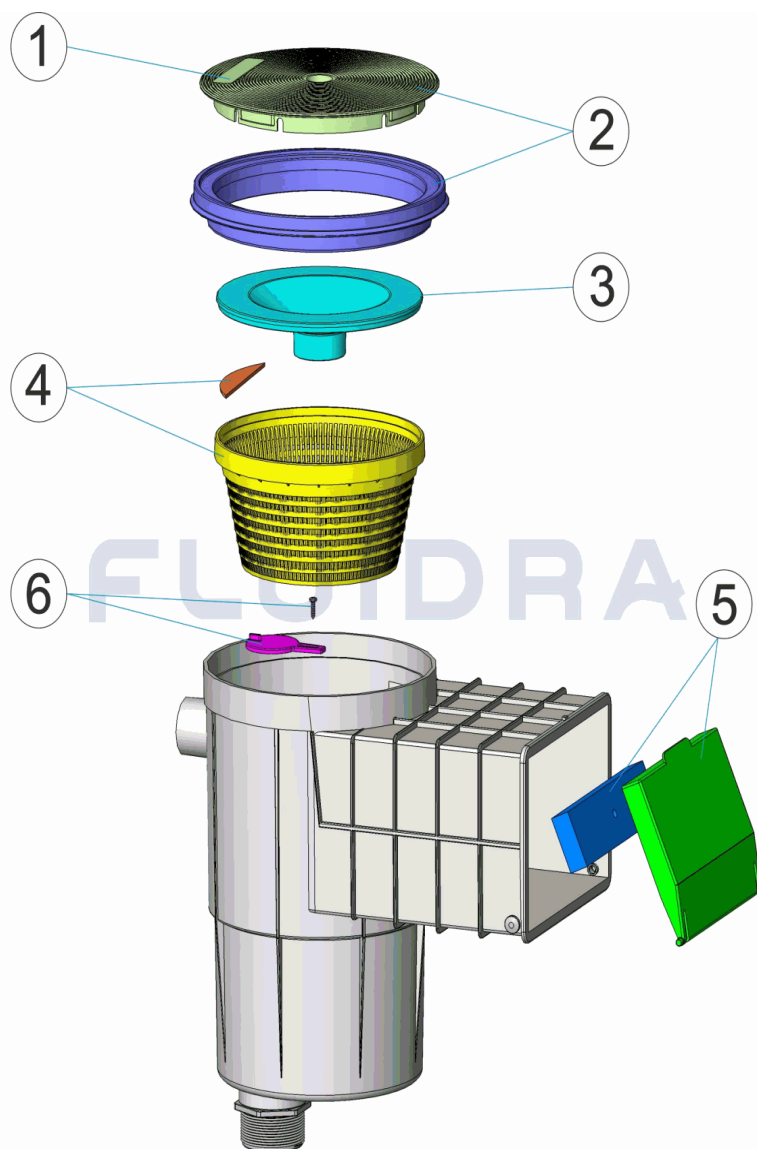
DESCRIPTION: HYDROSWIM SKIMMER CONCRETE POOL ROUND COVER



**ENGLISH**

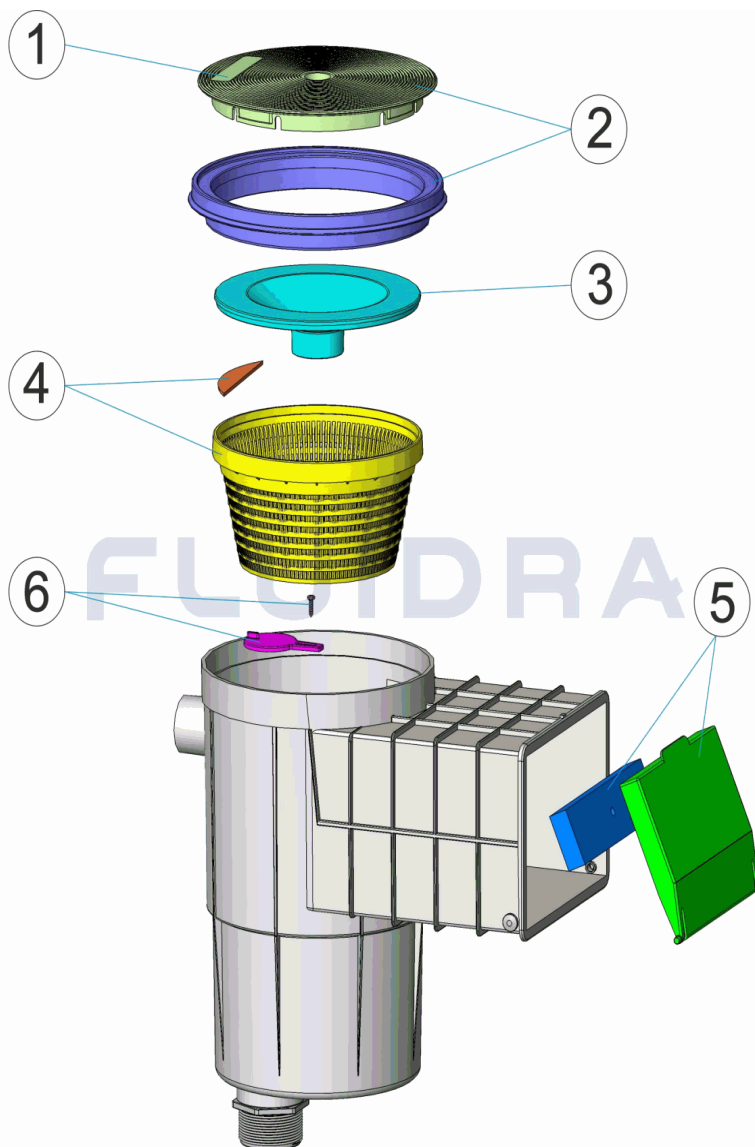
POS	CODE	DESCRIPTION	QUANTITY	POS	CODE	DESCRIPTION	QUANTITY
1	CE02012201	CIRCULAR SKIMMER LID		4	CE02012204	SKIMMER BASKET	
2	CE02012302	FRAME WITH CIRCULAR COVER		5	CE02012205	SKIMMER FLAP	
3	CE02012203	SKIMMER BASKET FOR ABOVE GROUND		6	CE02010102	KEYHOLE FLAP	

CODICE **HSA100TR**

 DESCRIZIONE: **SKIMMER HYDROSWIM PISCINA IN CEMENTO COPERTURA ROTONDA**

**ITALIANO**

POS	CODICE	DESCRIZIONE	QUANTITA'	POS	CODICE	DESCRIZIONE	QUANTITA'
1	CE02012201	COPERCHIO TONDO SKIMMER		4	CE02012204	CESTELLO SKIMMER	
2	CE02012302	COPERCHIO TONDO CON CORNICE		5	CE02012205	BATTENTE SKIMMER	
3	CE02012203	COPERCHIO ASPIRAZIONE SKIMMER		6	CE02010102	ALETTA PARZIALIZZATRICE SKIMMER	

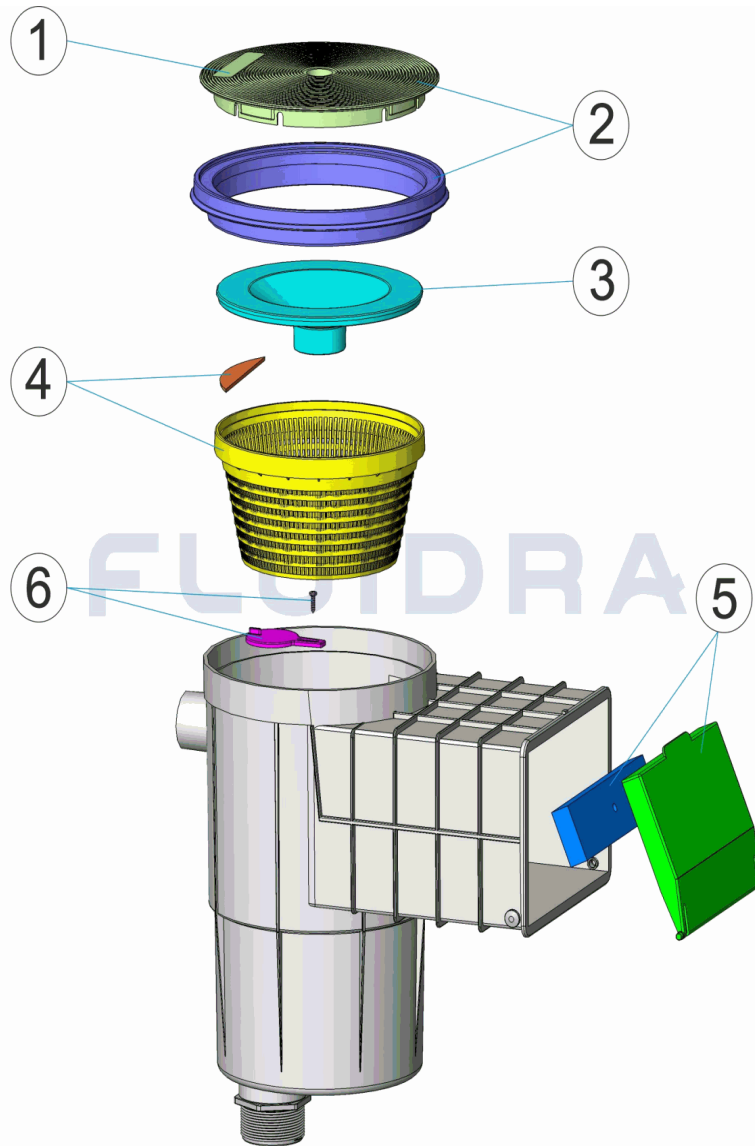
CODE                    **HSA100TR**

 BESCHREIBUNG: **SKIMMER HYDROSWIM BETONBECKEN ABDECKUNG RUND**

**DEUTSCH**

POS	CODE	BESCHREIBUNG	MENGE	POS	CODE	BESCHREIBUNG	MENGE
1	CE02012201	ABDECKUNG RUND SKIMMER		4	CE02012204	SKIMMERKORB	
2	CE02012302	ABDECKUNG RUND MIT RING		5	CE02012205	SKIMMERKLAPPE	
3	CE02012203	ABDECKUNG SKIMMER		6	CE02010102	ABDECKKAPPE	

CODIGO **HSA100TR**

DESCRIÇÃO: **SKIMMER HYDROSWIM PISCINA BETÃO TAMPA REDONDA**



**PORTUGUES**

POS	CODIGO	DESCRIÇÃO	JANTIDADE	POS	CODIGO	DESCRIÇÃO	JANTIDADE
1	CE02012201	TAMPA CIRCULAR SKIMMER		4	CE02012204	CESTO SKIMMER	
2	CE02012302	TAMPA CIRCULAR COM ARO		5	CE02012205	BATTENTE SKIMMER	
3	CE02012203	TAMPA ASPIRAÇÃO SKIMMER		6	CE02010102	CLAPETA SKIMMER	