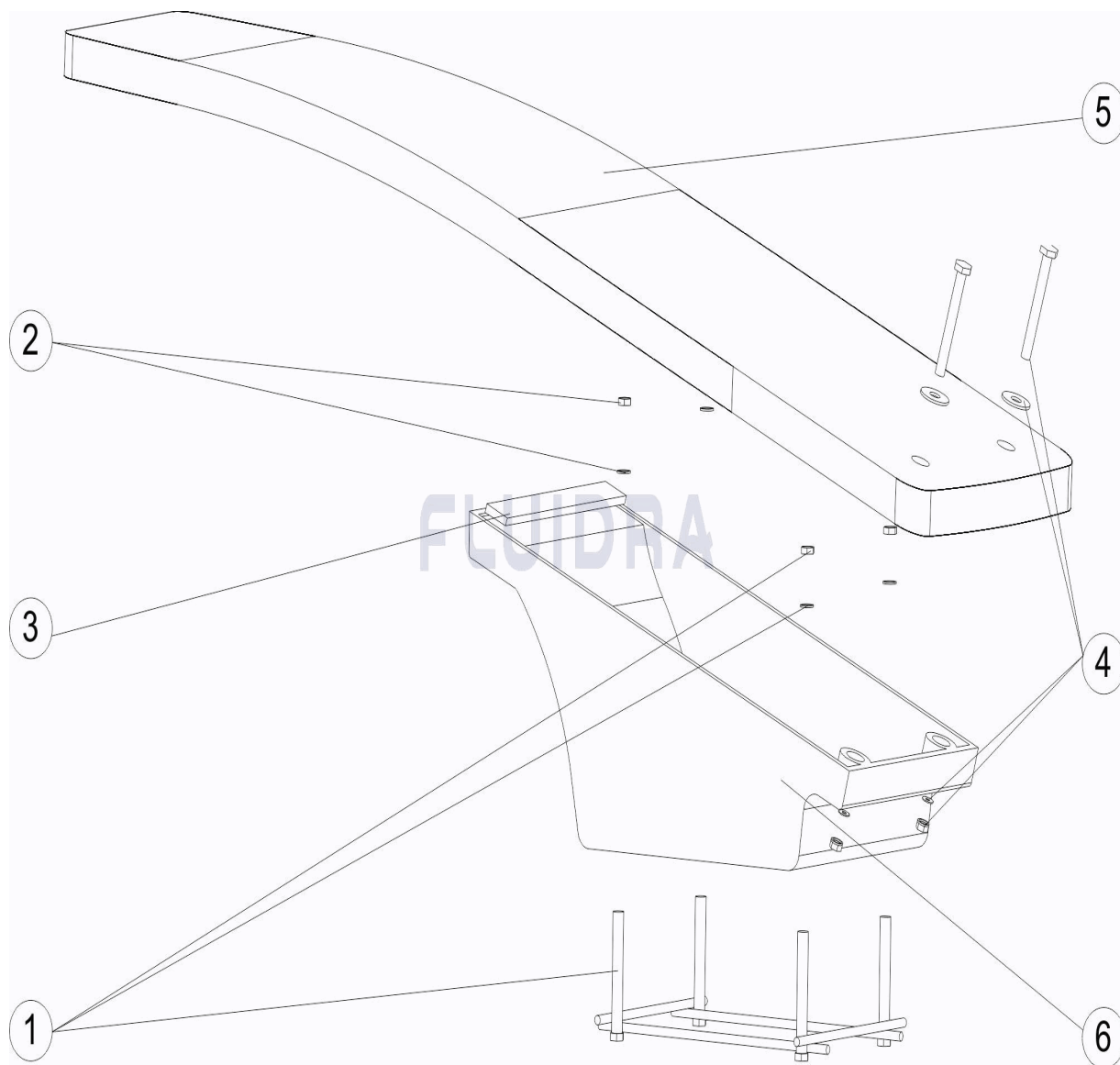


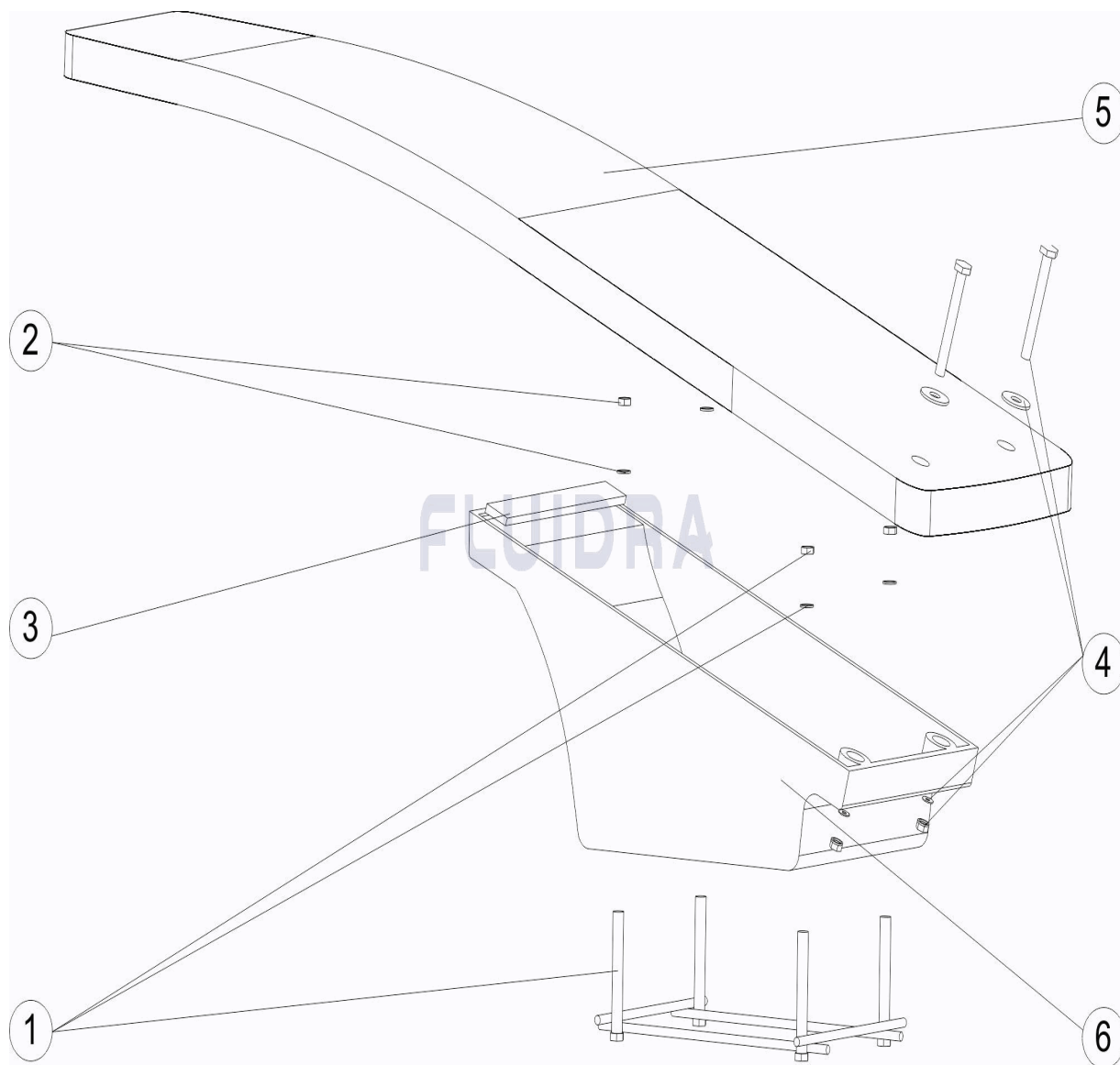
CODIGO **DBC0040**

 DESCRIPCION: **TRAMPOLIN DYNAMIC**

ESPAÑOL

POS	CODIGO	DESCRIPCION	CANTIDAD	POS	CODIGO	DESCRIPCION	CANTIDAD
1	CE01021301	ANCLAJE PALANCA DYNAMIC	4	4	CE01021203	TORNILLERIA TRAMPOLIN DYNAMIC	
2	CE01021202	TORNILLERIA ANCLAJE DYNAMIC	5	5	21392R0204	PISTA TRAMPOLIN	
3	CE01021303	GOMA DYNAMIC	6	6	21392R0206	BASE TRAMPOLIN DYNAMIC	

CODE **DBC0040**

DESCRIPTION: **PLONGEOIR DYNAMIC**

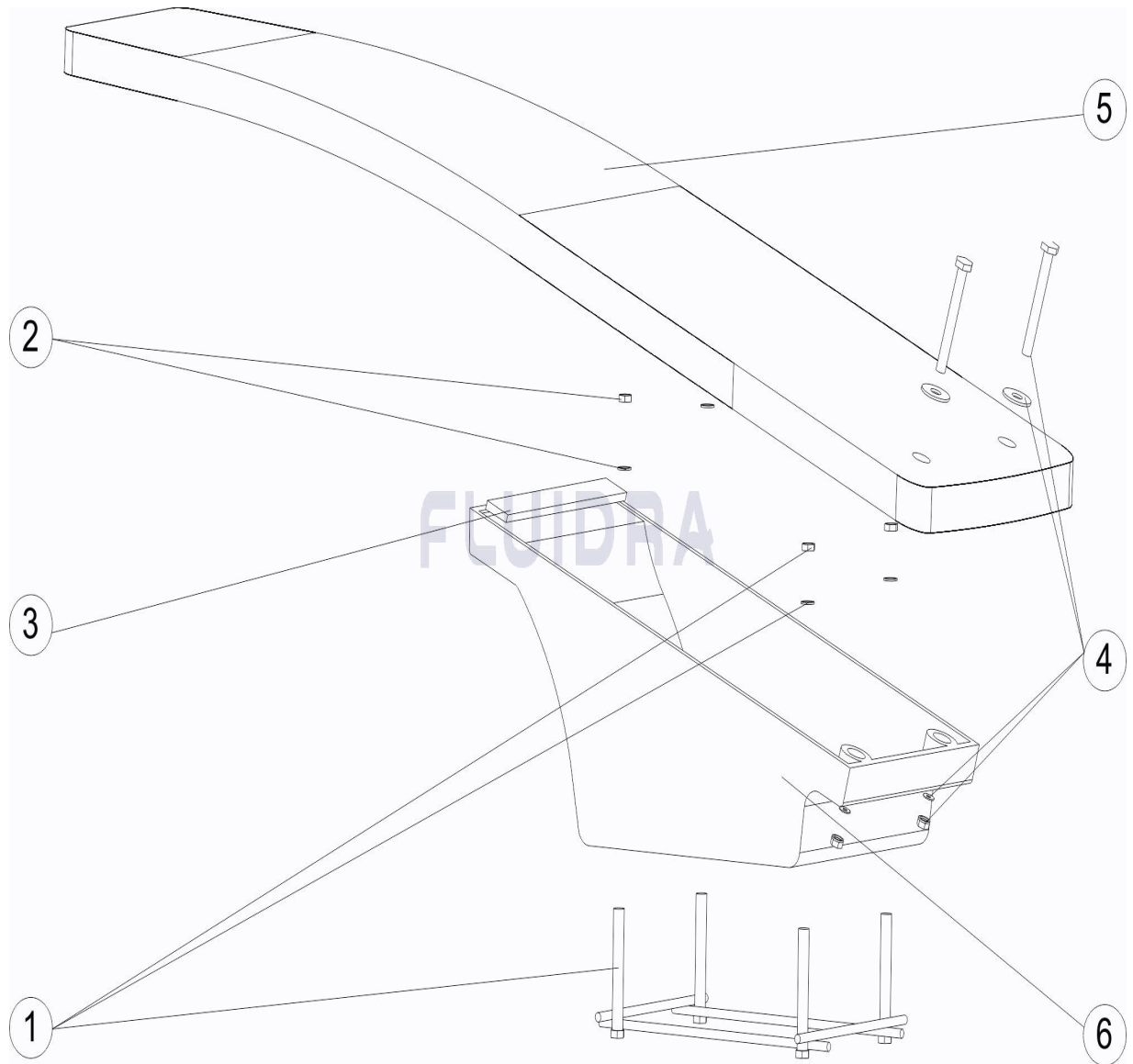


FRANCAIS

POS	CODE	DESCRIPTION	QUANTITE	POS	CODE	DESCRIPTION	QUANTITE
1	CE01021301	ANCORAGE PLONGEOIR DYNAMIC		4	CE01021203	VISSERIE PLONGEOIR DYNAMIC	
2	CE01021202	VISSERIE ANCORAGE PLONGEOIR DYNAMI		5	21392R0204	PISTE PLONGEOIR	
3	CE01021303	AMORTISSEUR PLONGEOIR DYNAMIC		6	21392R0206	BASE PLONGEOIR DYNAMIC	

CODE **DBC0040**

DESCRIPTION: **DYNAMIC SPRINGBOARD**

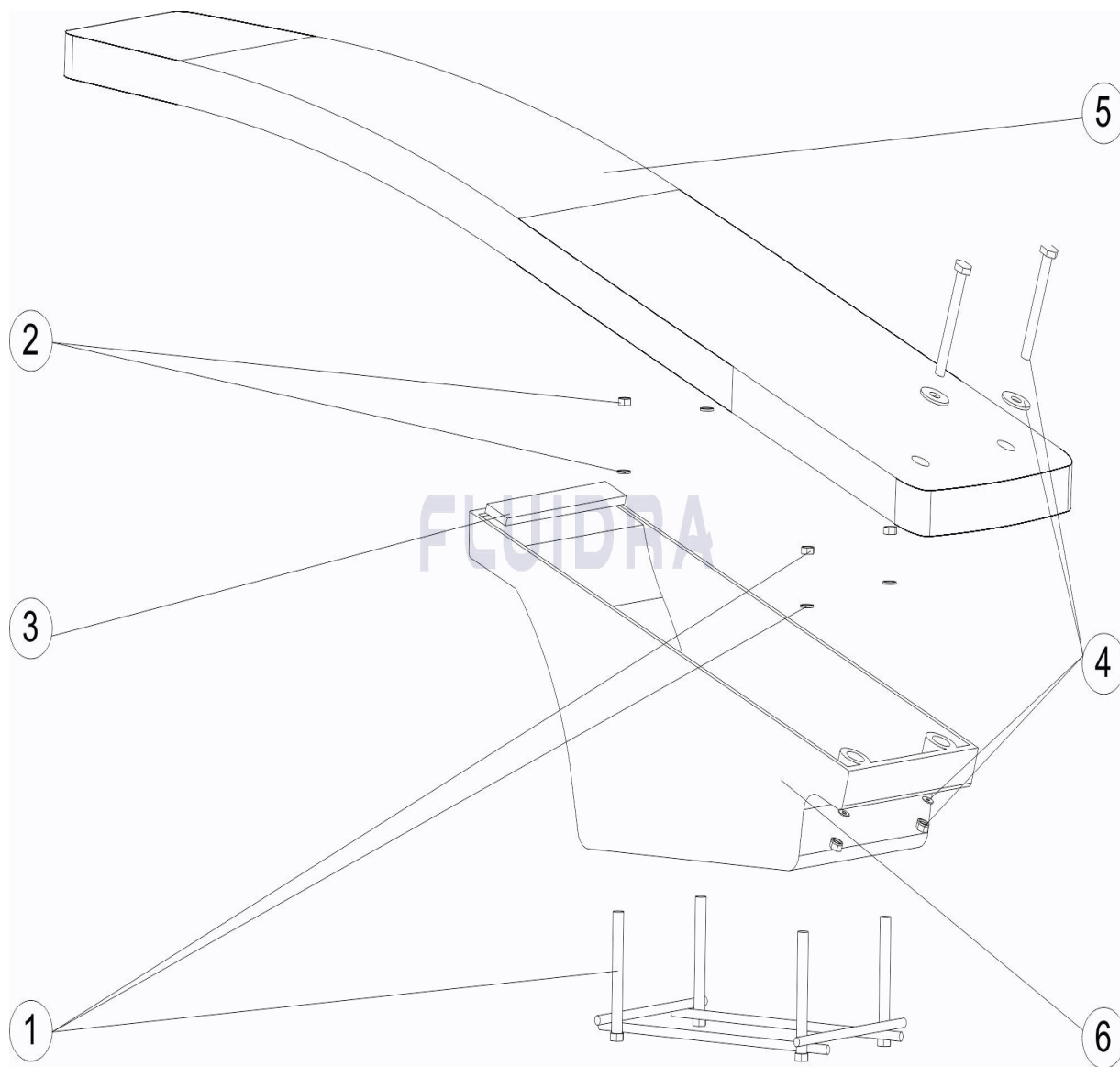


ENGLISH

POS	CODE	DESCRIPTION	QUANTITY	POS	CODE	DESCRIPTION	QUANTITY
1	CE01021301	ANCHOR FOR DYNAMIC BOARD		4	CE01021203	DYNAMIC BOARD FIXINGS	
2	CE01021202	ANCHOR FIXINGS		5	21392R0204	SPRINGBOARD	
3	CE01021303	DYNAMIC RUBBER SUPPORT		6	21392R0206	DYNAMIC DIVING BOARD BASE	

CODICE **DBC0040**

DESCRIZIONE: **PEDANA DYNAMIC**

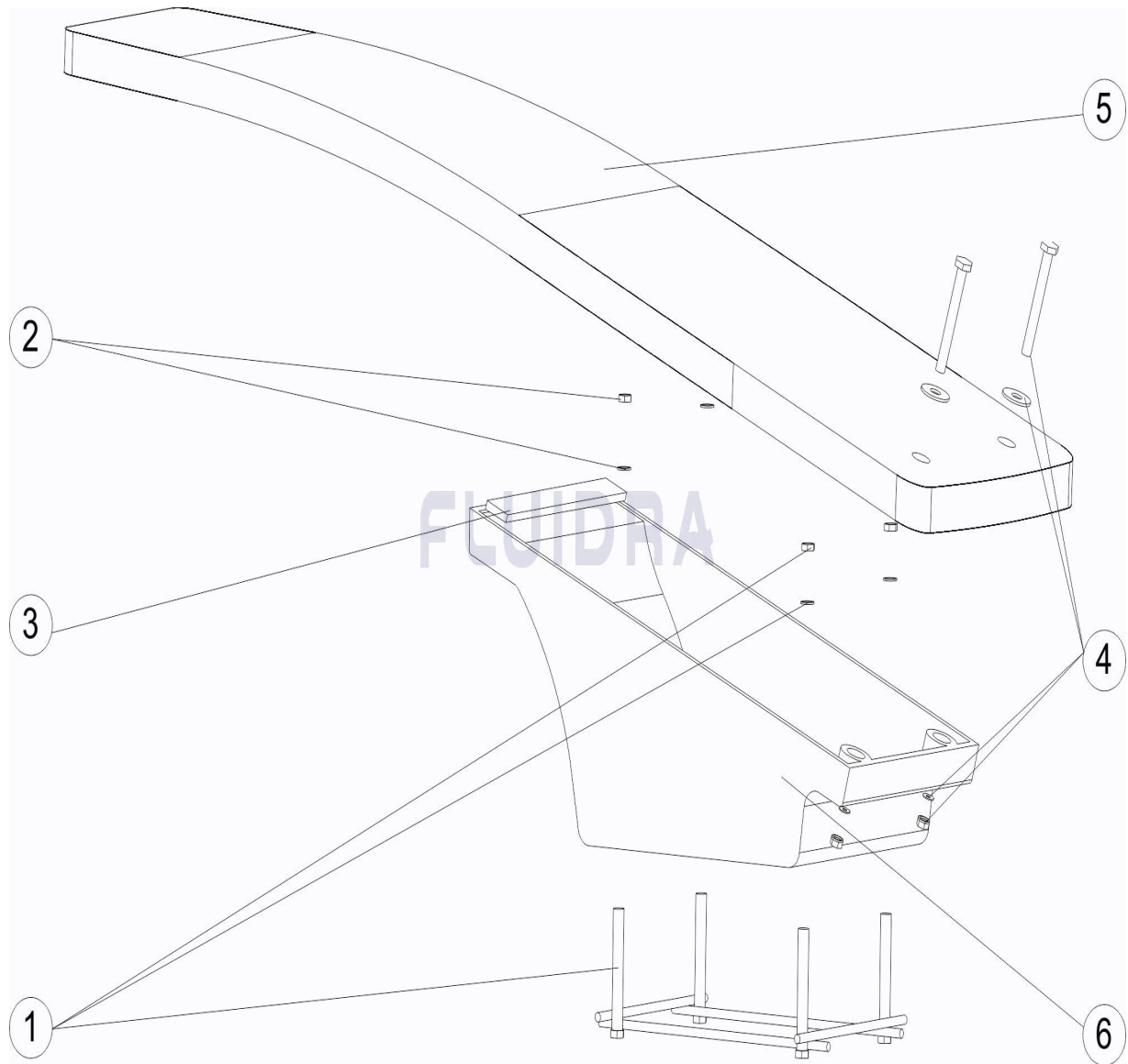


ITALIANO

POS	CODICE	DESCRIZIONE	QUANTITA'	POS	CODICE	DESCRIZIONE	QUANTITA'
1	CE01021301	ANCORAGGIO TAVOLA DYNAMIC		4	CE01021203	BULLONERIA TRAMPOLINO DYNAMIC	
2	CE01021202	BULLONERIA ANCORAGGIO DYNAMIC		5	21392R0204	PISTA TRAMPOLINO	
3	CE01021303	GOMMA DYNAMIC		6	21392R0206	BASE TRAMPOLINO DYNAMIC	

CODE **DBC0040**

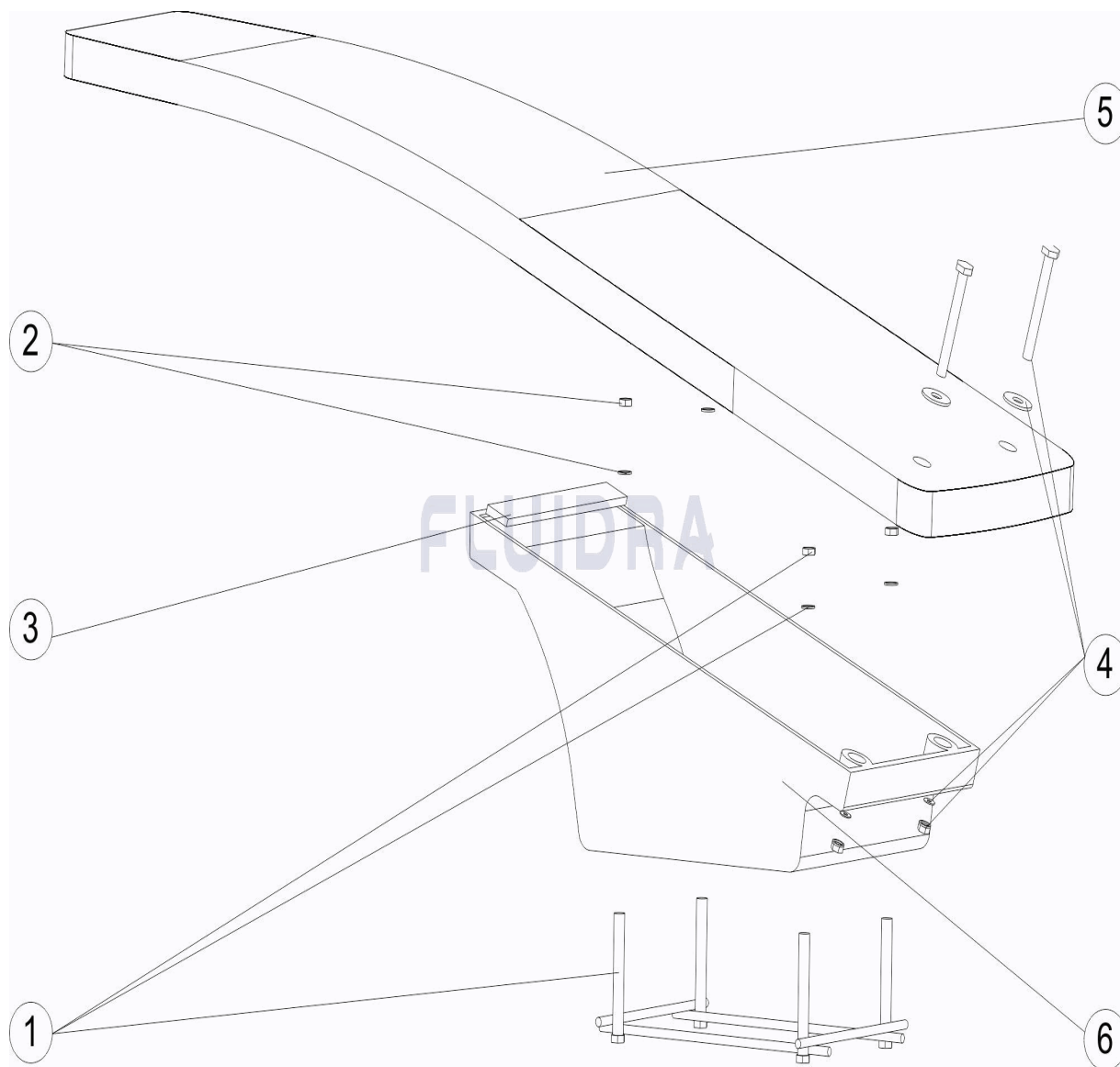
BESCHREIBUNG: **SPRUNGBRETT DYNAMIC**



DEUTSCH

POS	CODE	BESCHREIBUNG	MENGE	POS	CODE	BESCHREIBUNG	MENGE
1	CE01021301	VERANKERUNG SPRUNGBRETT DYNAMIC	4	CE01021203	SCHRAUBENSATZ SPRUNGBRETT DYNAMI		
2	CE01021202	SCHRAUBENSATZ VERANKERUNG DYNAM	5	21392R0204	SPRUNGBRETT		
3	CE01021303	GUMMI DYNAMIC	6	21392R0206	BASIS SPRUNGBRETT DYNAMIC		

CODIGO **DBC0040**

 DESCRIÇÃO: **TRAMPOLIM DYNAMIC**

PORTUGUES

POS	CODIGO	DESCRIÇÃO	JANTIDADE	POS	CODIGO	DESCRIÇÃO	JANTIDADE
1	CE01021301	ÂNCORA PRANCHA DYNAMIC	4	4	CE01021203	CONJ. PARAFUSOS TRAMPOLIM DINAMIC	
2	CE01021202	CONJ. PARAFUSOS/ANILHA ÂNCORA DYN,	5	5	21392R0204	PISTA TRAMPOLIM	
3	CE01021303	BORRACHA DYNAMIC	6	6	21392R0206	BASE TRAMPOLIM DYNAMIC	