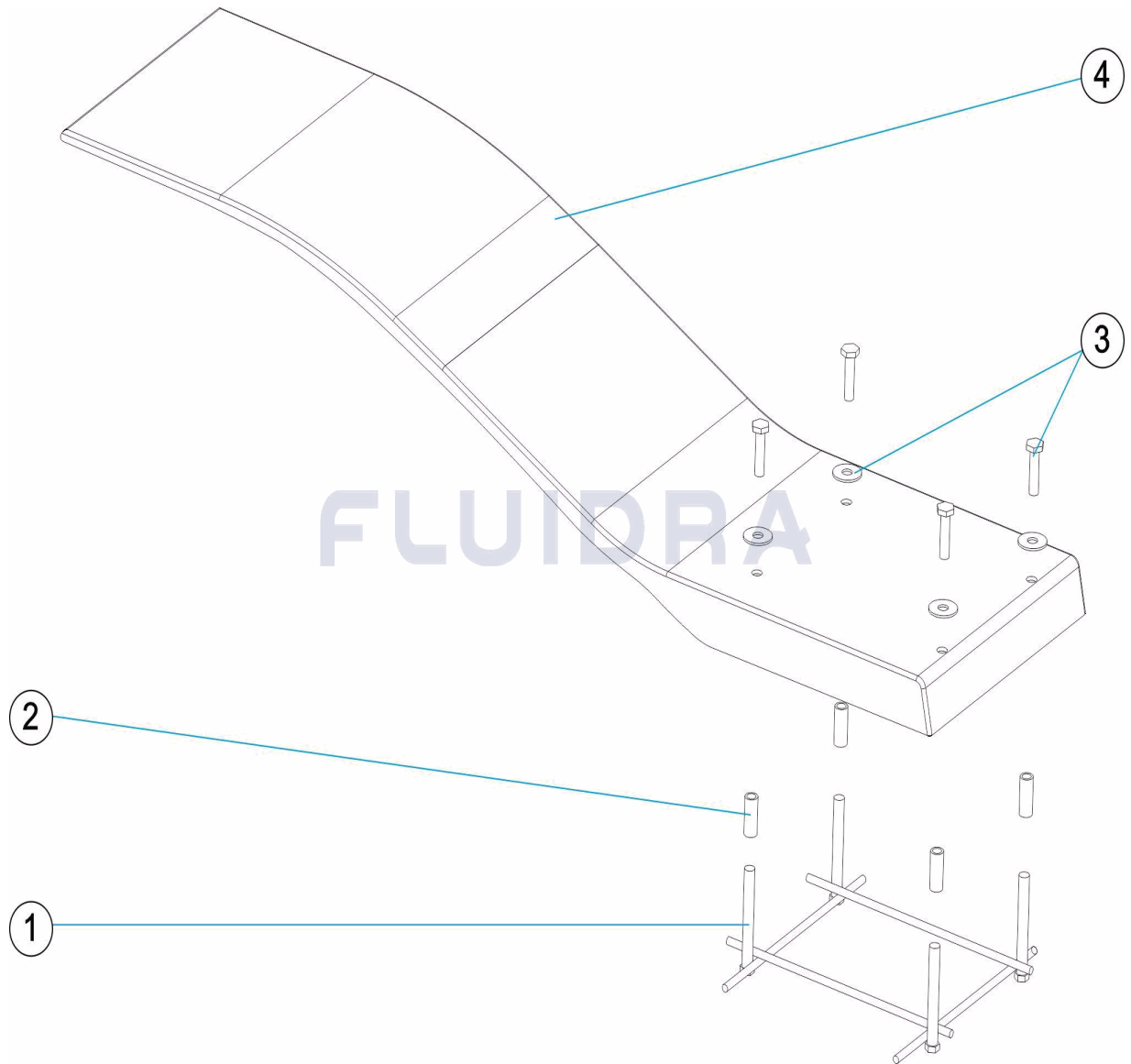


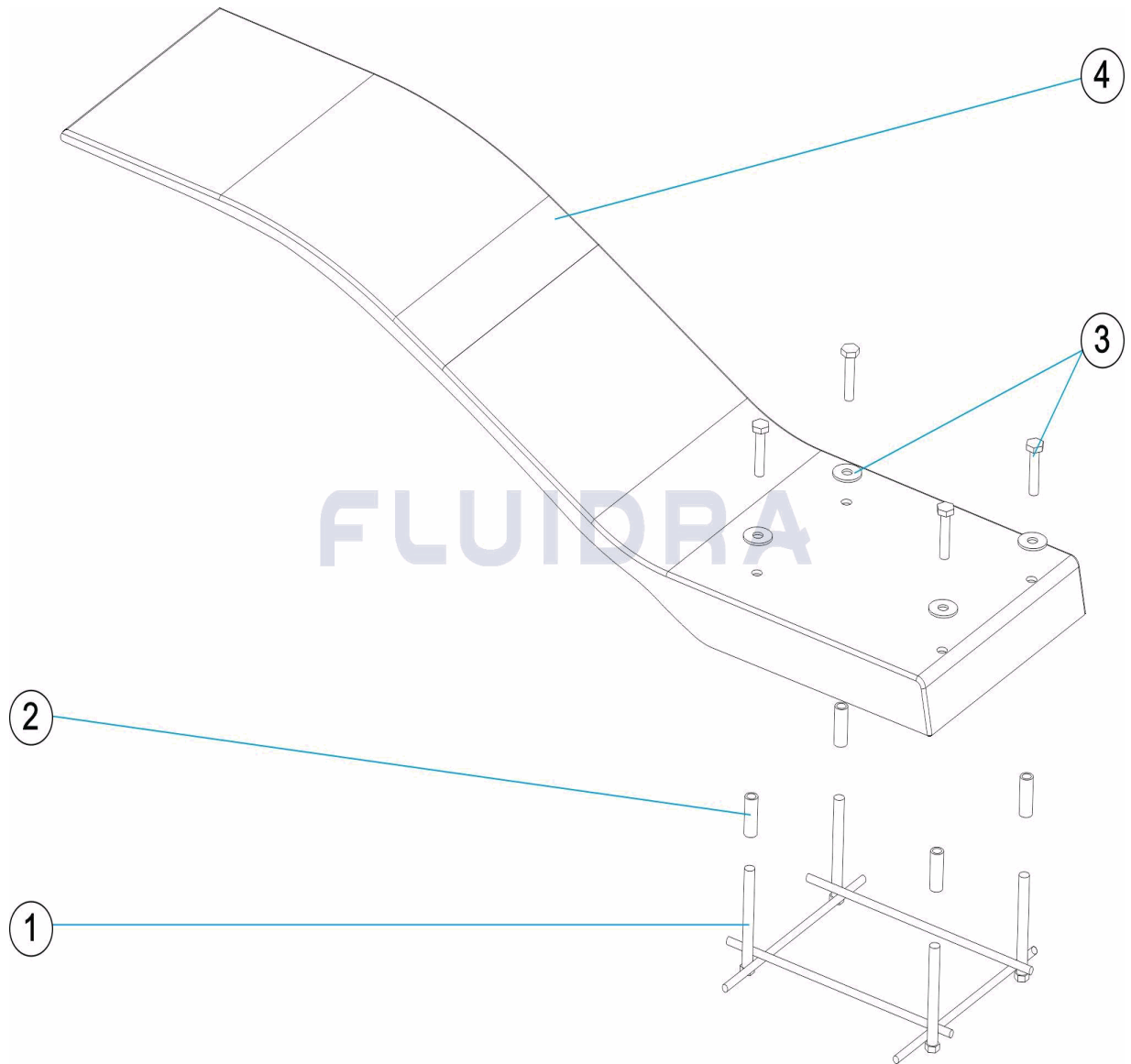
CODE **DBC0030**

 BESCHREIBUNG: **SPRUNGBRETT GEKRÜMMT**

DEUTSCH

POS	CODE	BESCHREIBUNG	MENGE	POS	CODE	BESCHREIBUNG	MENGE
1	CE01020801	VERANKERUNG SPRUNGBRETT		3	CE01020803	SCHRAUBENSATZ SPRUNGBRETT	
2	CE01020802	GEWINDEFASSUNG SPRUNGBRETT		4	00076R0052	SPRUNGBRETT	

CODE **DBC0030**

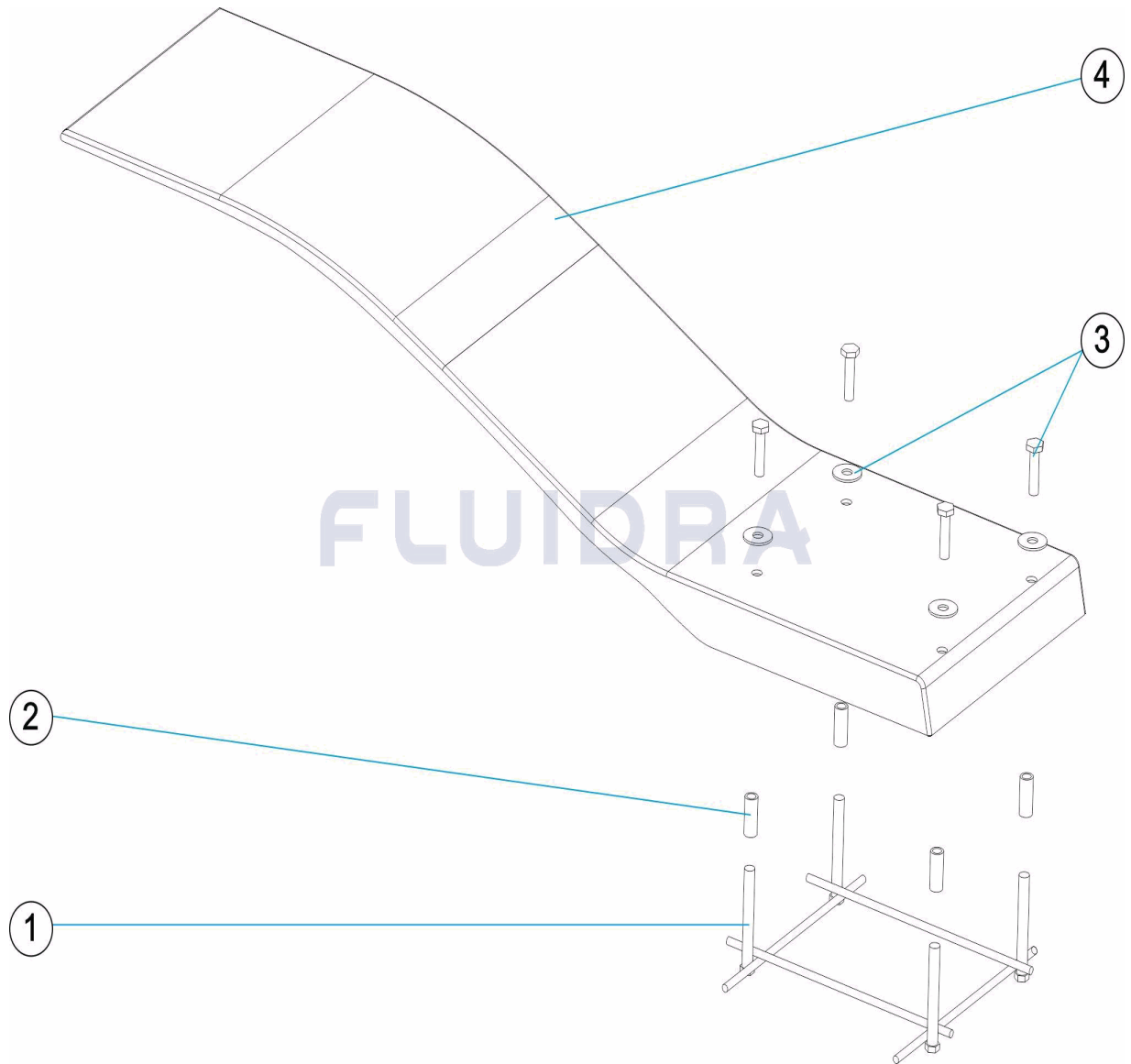
DESCRIPTION: **POOL CURB SPRINGBOARD**



ENGLISH

POS	CODE	DESCRIPTION	QUANTITY	POS	CODE	DESCRIPTION	QUANTITY
1	CE01020801	SPRINGBOARD ANCHOR		3	CE01020803	SPRINGBOARD BOLT SET	
2	CE01020802	THREADED COUPLER		4	00076R0052	SPRINGBOARD	

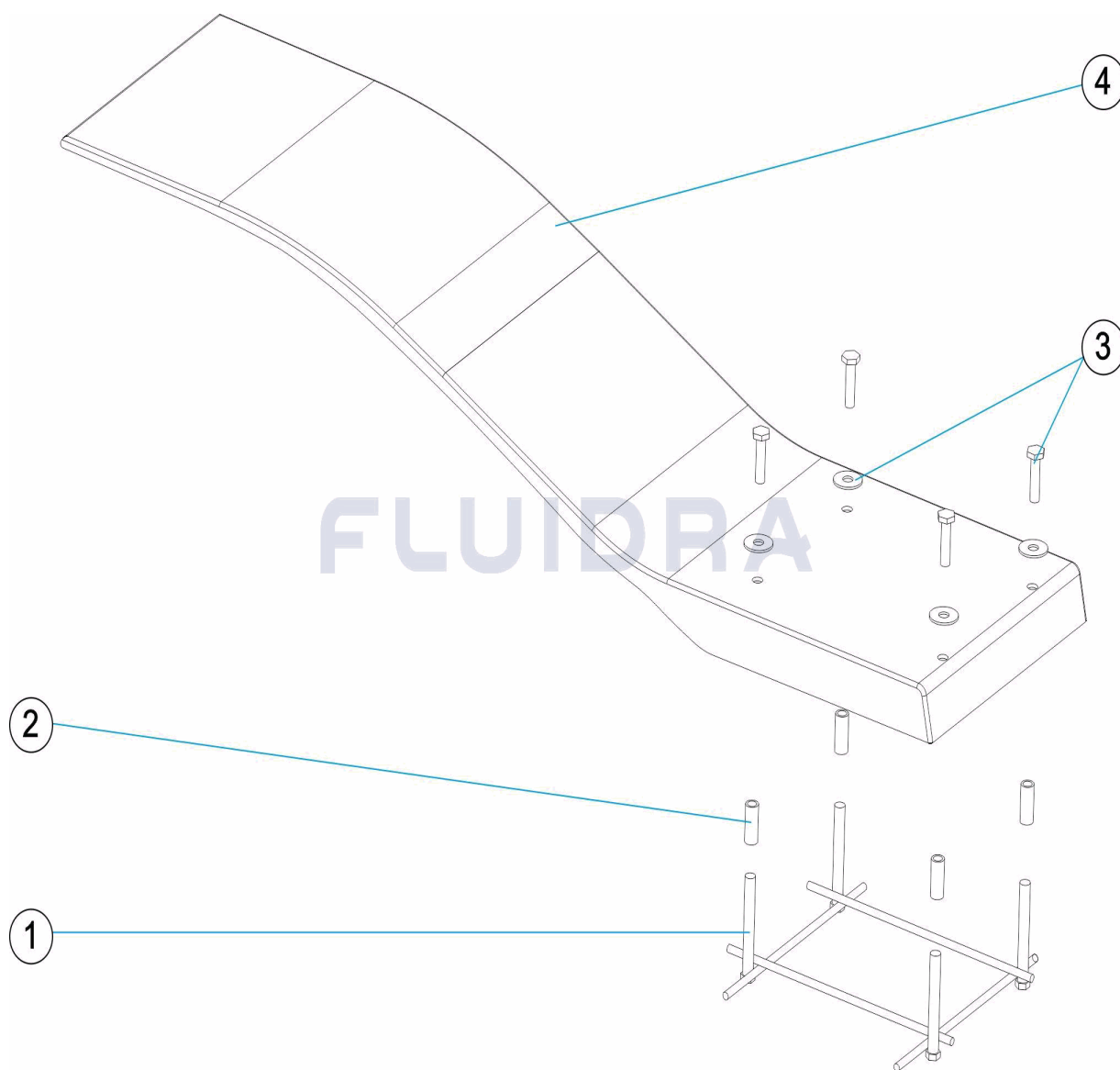
CODIGO **DBC0030**

 DESCRIPCION: **TRAMPOLIN CURVADO**

ESPAÑOL

POS	CODIGO	DESCRIPCION	CANTIDAD	POS	CODIGO	DESCRIPCION	CANTIDAD
1	CE01020801	ANCLAJE TRAMPOLIN ELASTICO		3	CE01020803	TORNILLERIA TRAMPOLIN ELASTICO	
2	CE01020802	CASQUILLO ROSCADO TRAMPOLIN		4	00076R0052	PISTA TRAMPOLIN	

CODE **DBC0030**

DESCRIPTION: **PLONGEOIR INCURVÉ**

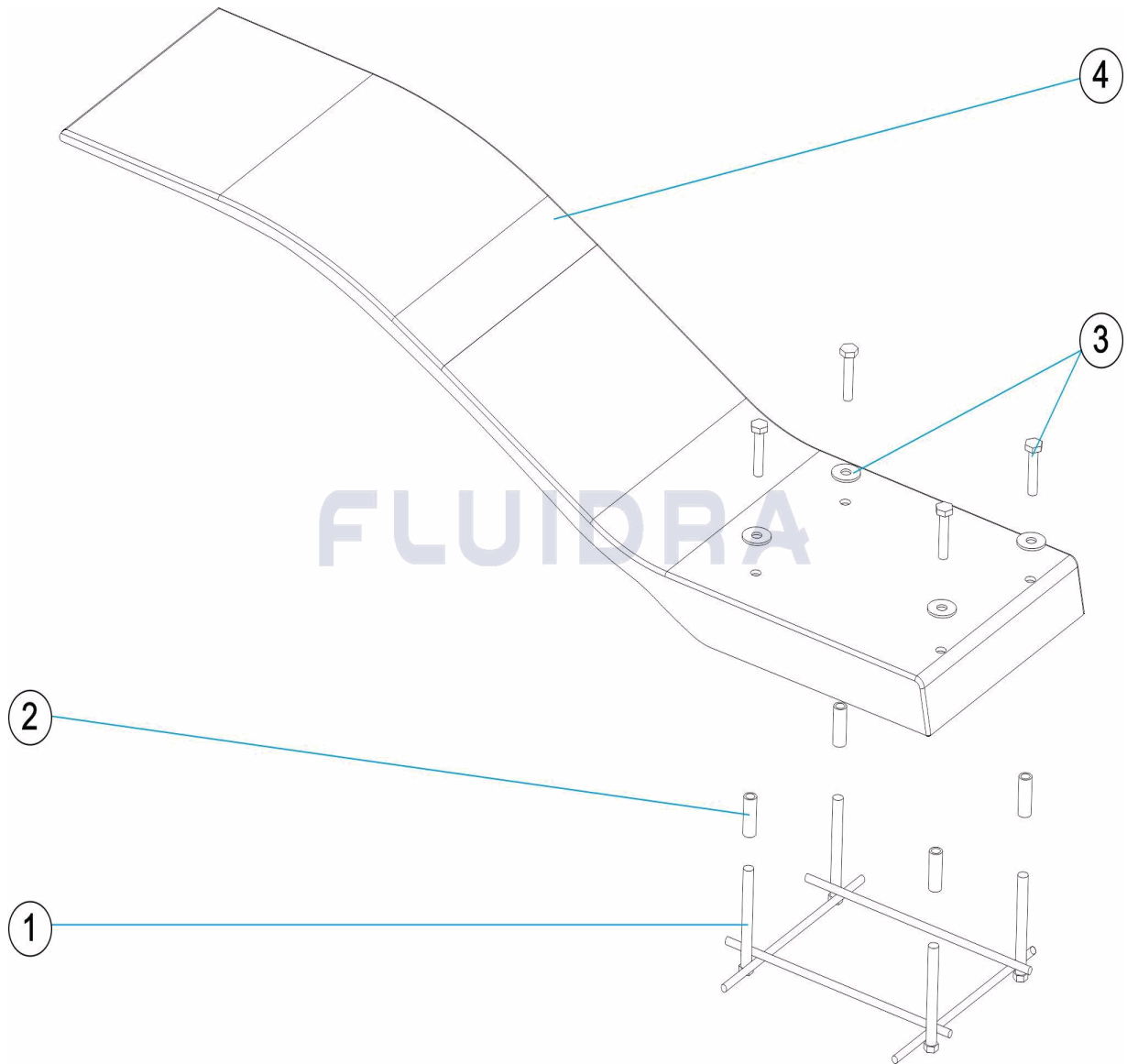


FRANCAIS

POS	CODE	DESCRIPTION	QUANTITE	POS	CODE	DESCRIPTION	QUANTITE
1	CE01020801	ANCRAGE PLONGEOIR		3	CE01020803	VISSERIE DE PLONGEOIR Z	
2	CE01020802	ENTRETOISES BZE		4	00076R0052	PISTE PLONGEOIR	

CODICE **DBC0030**

DESCRIZIONE: **TRAMPOLINO CURVATO**

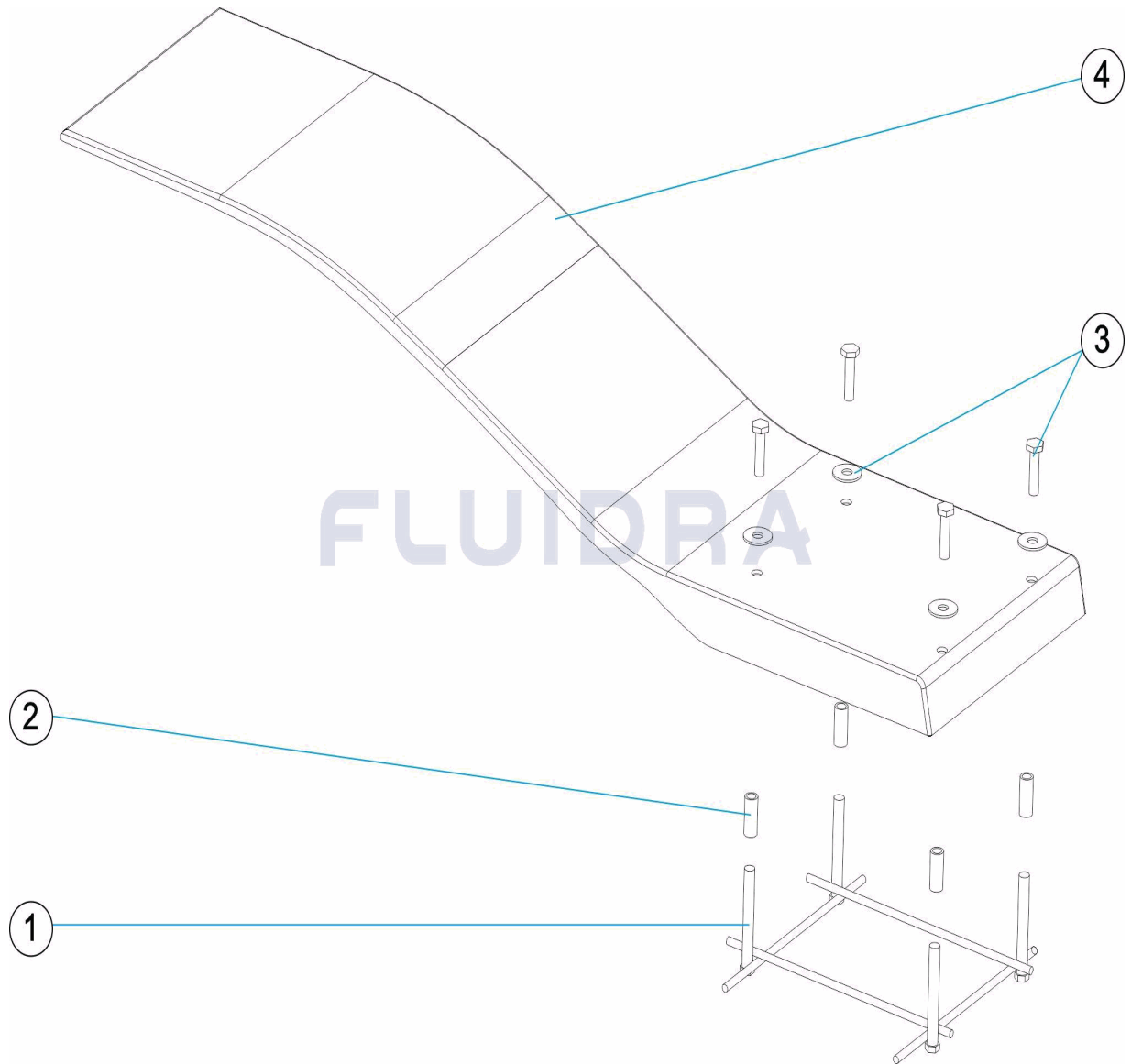


ITALIANO

POS	CODICE	DESCRIZIONE	QUANTITA'	POS	CODICE	DESCRIZIONE	QUANTITA'
1	CE01020801	ANCORAGGIO TRAMPOLINO		3	CE01020803	BULLONERIA TRAMPOLINO	
2	CE01020802	BUSSOLA FILETTATA TRAMPOLINO		4	00076R0052	PISTA TRAMPOLINO	

CODIGO **DBC0030**

DESCRIÇÃO: **TRAMPOLIM CURVADO**



PORTUGUES

POS	CODIGO	DESCRIÇÃO	JANTIDADE	POS	CODIGO	DESCRIÇÃO	JANTIDADE
1	CE01020801	ÂNCORA TRAMPOLIM		3	CE01020803	PARAFUSOS TRAMPOLIM	
2	CE01020802	CASQUILHO ROSCADO		4	00076R0052	PISTA TRAMPOLIM	