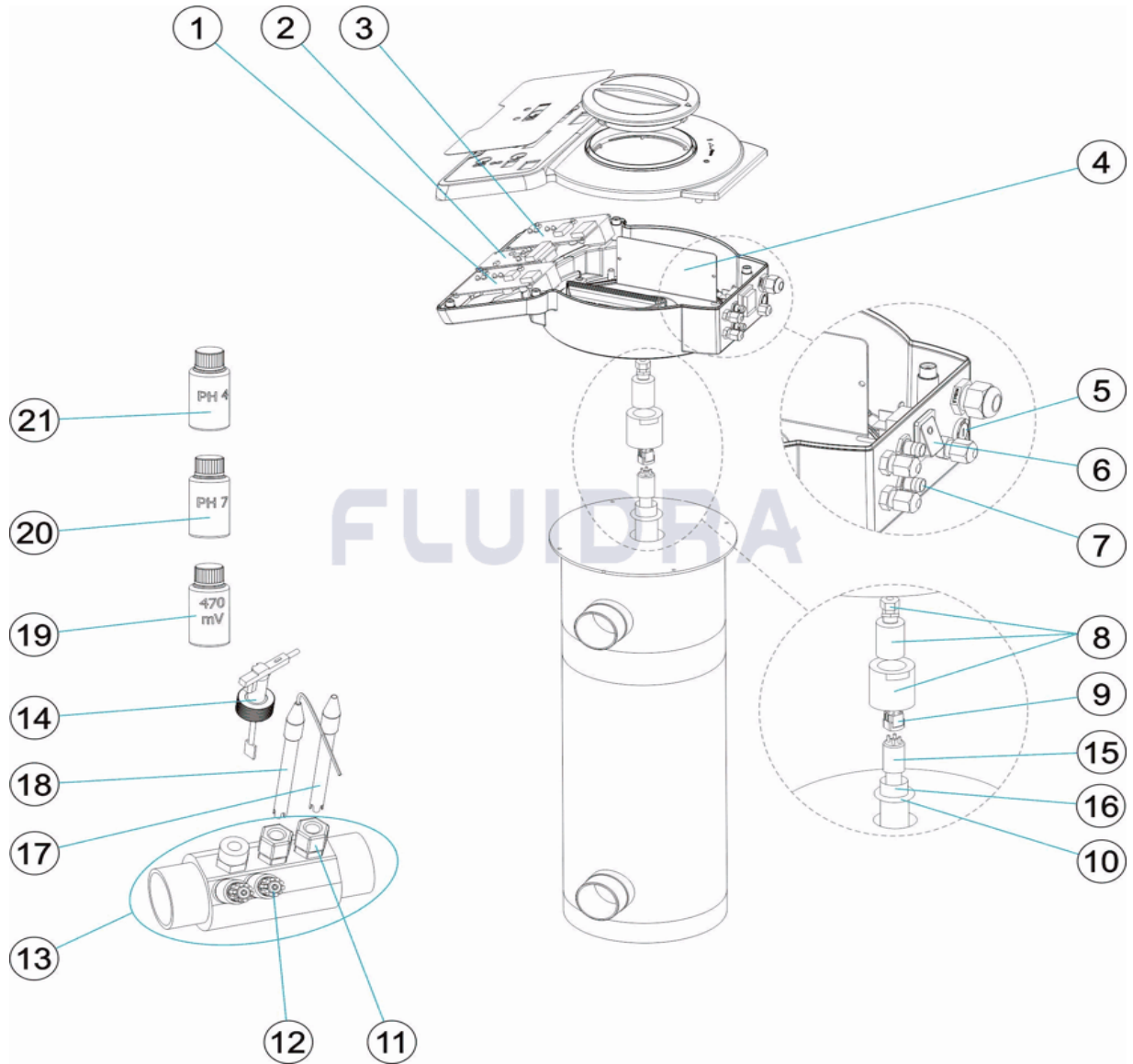


CODIGO **52214, 52215, 52216, 52217, 52218, 52219, 52220, 52221**

DESCRIPCION: **UV HELIOX LP PE (10,14,20,25)**



ESPAÑOL

POS	CODIGO	DESCRIPCION	CANTIDAD	POS	CODIGO	DESCRIPCION	CANTIDAD
1	* 4408040602	PLACA CONTROL PH		13	* 4408070070	CUERPO SENSORES	
2	4408070066	UV TARJETA ELECTRONICA		14	* 71124	FLUJOSTATO	
3	* 4408041019	PLACA CONTROL ORP		15	* 60559	LAMPARA UV LP-10	
4	* 4408070061	BALASTRO LP 10, 14		15	* 60606	LAMPARA UV LP-14	
4	* 4408070062	BALASTRO LP 20, 25		15	* 60608	LAMPARA UV LP-20 (1X75W) Y LP30 V12 (2)	
5	4408041015	PORTAFUSIBLES 6X32 CHASIS		15	* 60609	LAMPARA UV LP-25	
6	4408070065	INTERRUPTOR		16	* 60607	CUARZO UV LP-10,14	
7	* 4408070069	CONECTOR BCN		16	* 60631	CUARZO UV LP-20-25-30	
8	4408070078	CJTO. TUERCAS		17	* 60648	ELECTRODO COMBINADO PH	
9	4408070059	CONECTOR 4PIN		18	* 60649	ELECTRODO ORP	
10	4408070077	JUNTA TORICA		19	* 60633	SOLUCION CALIBRACION 470MV.	
11	* 4408040604	PORTAELECTRODOS PE 12M/M-1/2"		20	* 60618	TAMPON PH 7,0 50 M/L. (VERDE)	
12	* 4408040068	VALVULA INYECCION PH-MINUS 3/8"		21	* 60632	TAMPON PH 4,0 50 ML. (ROJO)	

CODIGO **52214, 52215, 52216, 52217, 52218, 52219, 52220, 52221**

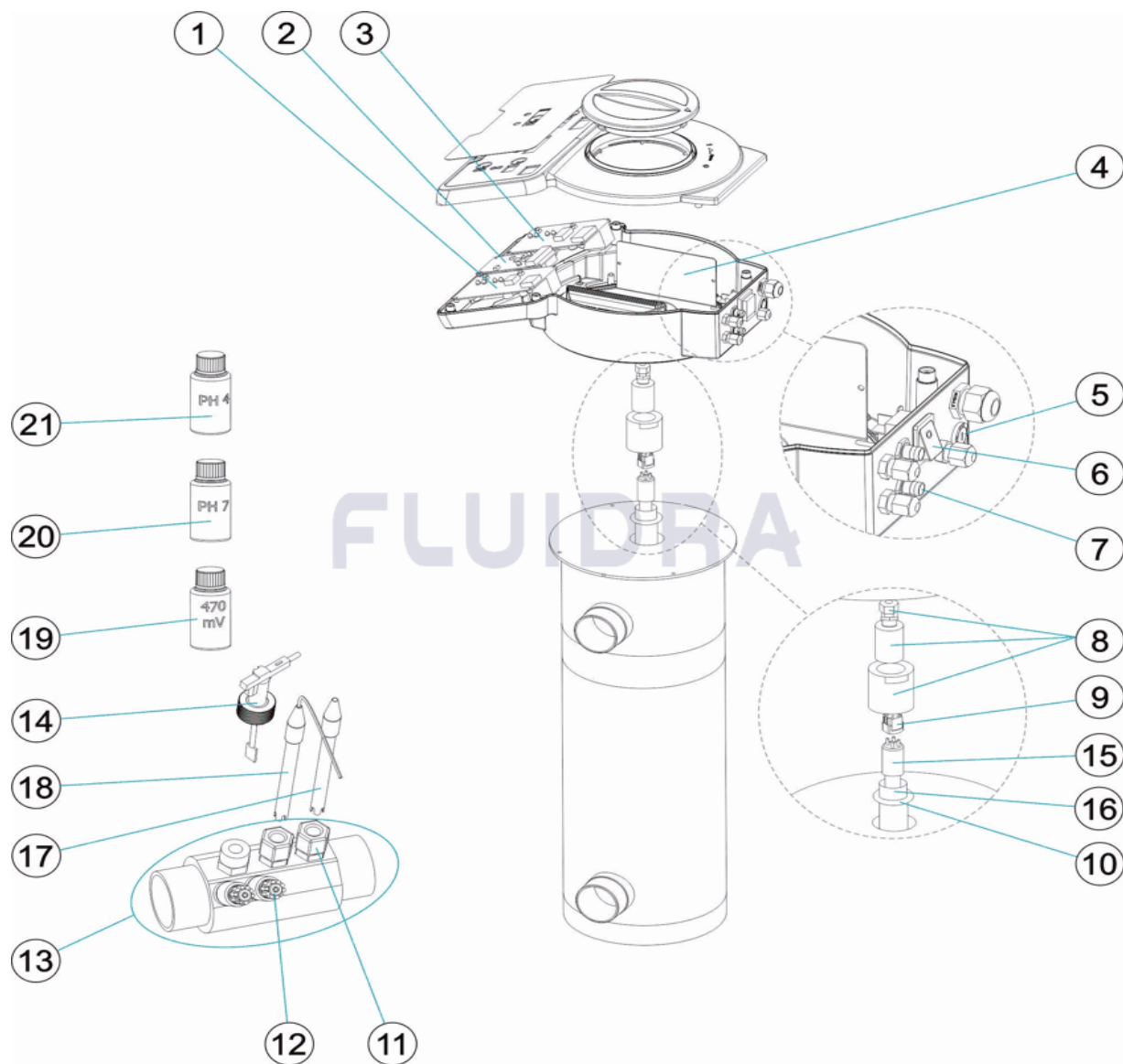
DESCRIPCION: UV HELIOX LP PE (10,14,20,25)

OBSERVACIONES

POS	CODIGO	OBSERVACIONES
1	* 4408040602	PARA: 52218, 52219, 52220, 52221
3	* 4408041019	PARA: 52218, 52219, 52220, 52221
4	* 4408070061	PARA: 52214, 52215, 52218, 52219
4	* 4408070062	PARA: 52216, 52217, 52220, 52221
7	* 4408070069	PARA: 52218, 52219, 52220, 52221
11	* 4408040604	PARA: 52218, 52219, 52220, 52221
12	* 4408040068	PARA: 52218, 52219, 52220, 52221
13	* 4408070070	PARA: 52218, 52219, 52220, 52221
14	* 71124	PARA: 52218, 52219, 52220, 52221
15	* 60559	PARA: 52214, 52218
15	* 60606	PARA: 52215, 52219
15	* 60608	PARA: 52216, 52220
15	* 60609	PARA: 52217, 52221
16	* 60607	PARA: 52214, 52215, 52218, 52219
16	* 60631	PARA: 52216, 52217, 52220, 52221
17	* 60648	PARA: 52218, 52219, 52220, 52221
18	* 60649	PARA: 52218, 52219, 52220, 52221
19	* 60633	PARA: 52218, 52219, 52220, 52221
20	* 60618	PARA: 52218, 52219, 52220, 52221
21	* 60632	PARA: 52218, 52219, 52220, 52221

CODE 52214, 52215, 52216, 52217, 52218, 52219, 52220, 52221

DESCRIPTION: UV HÉLIOX UV LP PE (10,14,20,25)



FRANCAIS

POS	CODE	DESCRIPTION	QUANTITE	POS	CODE	DESCRIPTION	QUANTITE
1	* 4408040602	PLAQUE CONTRÔLE PH		13	* 4408070070	CORPS CAPTEURS	
2	4408070066	UV CARTE ÉLECTRONIQUE		14	* 71124	CONTROLEUR DE DEBIT	
3	* 4408041019	PLAQUE CONTRÔLE ORP		15	* 60559	LAMPE UV LP-10	
4	* 4408070061	BALLAST LP 10, 14		15	* 60606	LAMPE UV LP-14	
4	* 4408070062	BALLAST LP 20, 25		15	* 60608	LAMPE UV LP-20 (1X75W) Y LP30 V12 (2X75	
5	4408041015	PORTE-FUSIBLES 6X32 CASSIS		15	* 60609	LAMPE UV LP-25	
6	4408070065	INTERRUPTEUR		16	* 60607	GAINÉ QUARTZ LP 10, 14	
7	* 4408070069	CONNECTEUR BCN		16	* 60631	GAINÉ QUARTZ LP 20, 25, 30	
8	4408070078	ENSEMBLE ÉCROUS		17	* 60648	ELECTRODE COMBINÉE PH	
9	4408070059	CONNECTEUR 4PIN		18	* 60649	ELECTRODE ORP	
10	4408070077	JOINT TORIQUE		19	* 60633	SOLUTION CALIBRAGE 470 MV	
11	* 4408040604	PORTE-ÉLECTRODE PE 12M/M. 1/2"		20	* 60618	TAMPON PH 7,0 50 M/L. (VERT)	
12	* 4408040068	VANNE INJECTION PH-MINUS 3/8"		21	* 60632	TAMPON PH 4,0 50 ML. (ROUGE)	

CODE **52214, 52215, 52216, 52217, 52218, 52219, 52220, 52221**

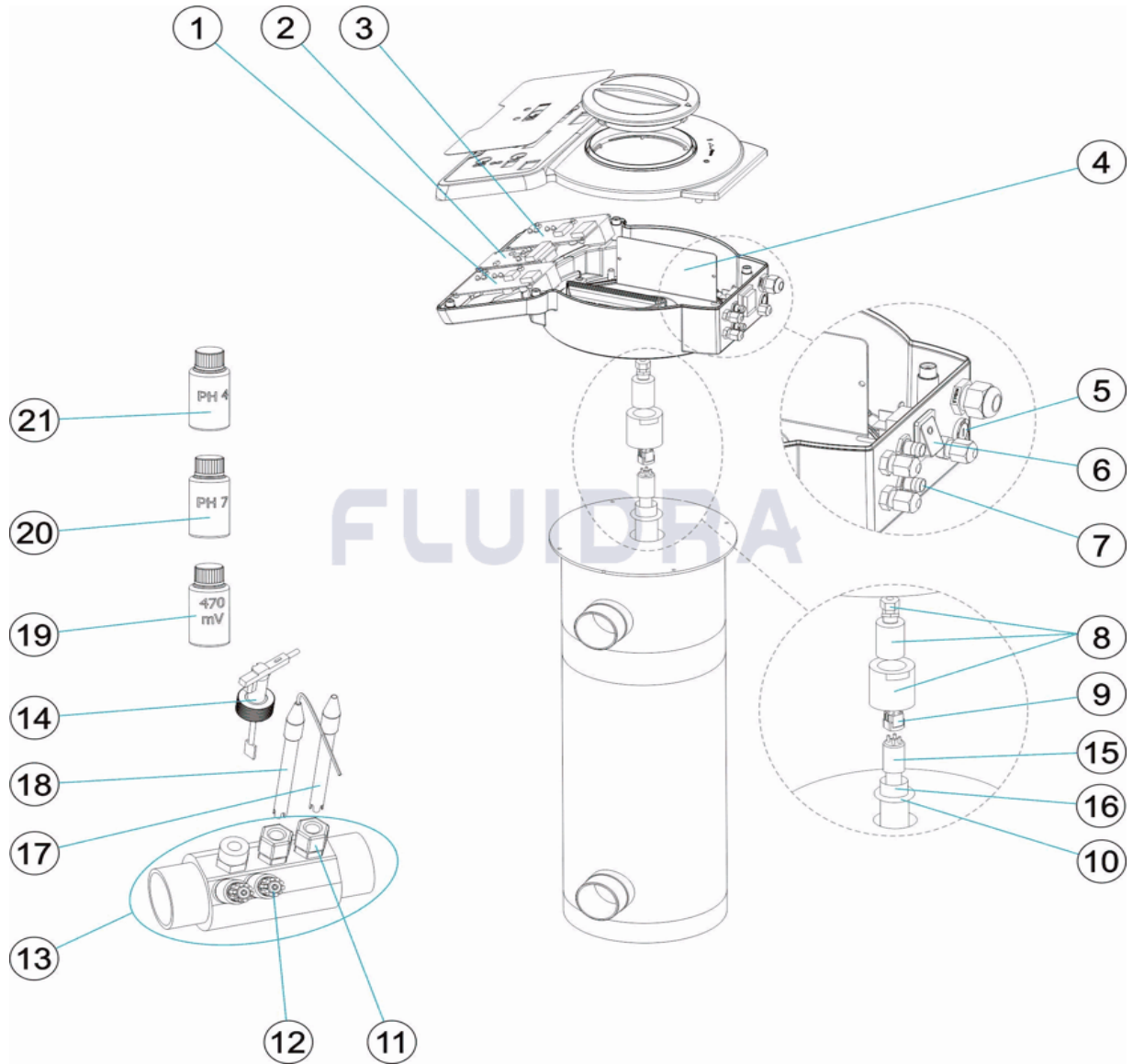
DESCRIPTION: **UV HÉLIOX UV LP PE (10,14,20,25)**

OBSERVATIONS

POS	CODE	OBSERVATIONS
1	* 4408040602	POUR: 52218, 52219, 52220, 52221
3	* 4408041019	POUR: 52218, 52219, 52220, 52221
4	* 4408070061	POUR: 52214, 52215, 52218, 52219
4	* 4408070062	POUR: 52216, 52217, 52220, 52221
7	* 4408070069	POUR: 52218, 52219, 52220, 52221
11	* 4408040604	POUR: 52218, 52219, 52220, 52221
12	* 4408040068	POUR: 52218, 52219, 52220, 52221
13	* 4408070070	POUR: 52218, 52219, 52220, 52221
14	* 71124	POUR: 52218, 52219, 52220, 52221
15	* 60559	POUR: 52214, 52218
15	* 60606	POUR: 52215, 52219
15	* 60608	POUR: 52216, 52220
15	* 60609	POUR: 52217, 52221
16	* 60607	POUR: 52214, 52215, 52218, 52219
16	* 60631	POUR: 52216, 52217, 52220, 52221
17	* 60648	POUR: 52218, 52219, 52220, 52221
18	* 60649	POUR: 52218, 52219, 52220, 52221
19	* 60633	POUR: 52218, 52219, 52220, 52221
20	* 60618	POUR: 52218, 52219, 52220, 52221
21	* 60632	POUR: 52218, 52219, 52220, 52221

CODE **52214, 52215, 52216, 52217, 52218, 52219, 52220, 52221**

DESCRIPTION: **UV LP PE (10,14,20,25) HELIOX UV**



ENGLISH

POS	CODE	DESCRIPTION	QUANTITY	POS	CODE	DESCRIPTION	QUANTITY
1	* 4408040602	ELECTRONIC CARD PH		13	* 4408070070	SENSOR BODY	
2	4408070066	UV ELECTRONIC CARD		14	* 71124	WATER FLOW SWITCH	
3	* 4408041019	ELECTRONIC CARD ORP		15	* 60559	LAMPELC UV LP-10	
4	* 4408070061	BALLAST LP 10, 14		15	* 60606	LAMPELC UV LP-14	
4	* 4408070062	BALLAST LP 20, 25		15	* 60608	LAMPELC UV LP-20 (1X75W) Y LP30 V12 (2)	
5	4408041015	FUSE HOLDER 6X32		15	* 60609	LAMPELC UV LP-25	
6	4408070065	CIRCUIT BREAKER		16	* 60607	QUARTZ SLEEVE LP 10, 14	
7	* 4408070069	BCN CONNECTOR		16	* 60631	QUARTZ SLEEVE LP 20, 25, 30	
8	4408070078	NUTS		17	* 60648	ELECTRODE PH	
9	4408070059	4PIN CONNECTOR		18	* 60649	ORP ELECTRODE	
10	4408070077	O' RING		19	* 60633	CALIBRATION SOLUTION ORP 470 MV	
11	* 4408040604	ELECTRODE CARRIER PE 12M/M.-1/2"		20	* 60618	CALIBRATION SOLUTION PH 7,0 50 M/L. (GF)	
12	* 4408040068	PH-MINUS INJECTION VALVE 3/8"		21	* 60632	CALIBRATION SOLUTION PH 4,0 50 ML. (RE)	

CODE **52214, 52215, 52216, 52217, 52218, 52219, 52220, 52221**

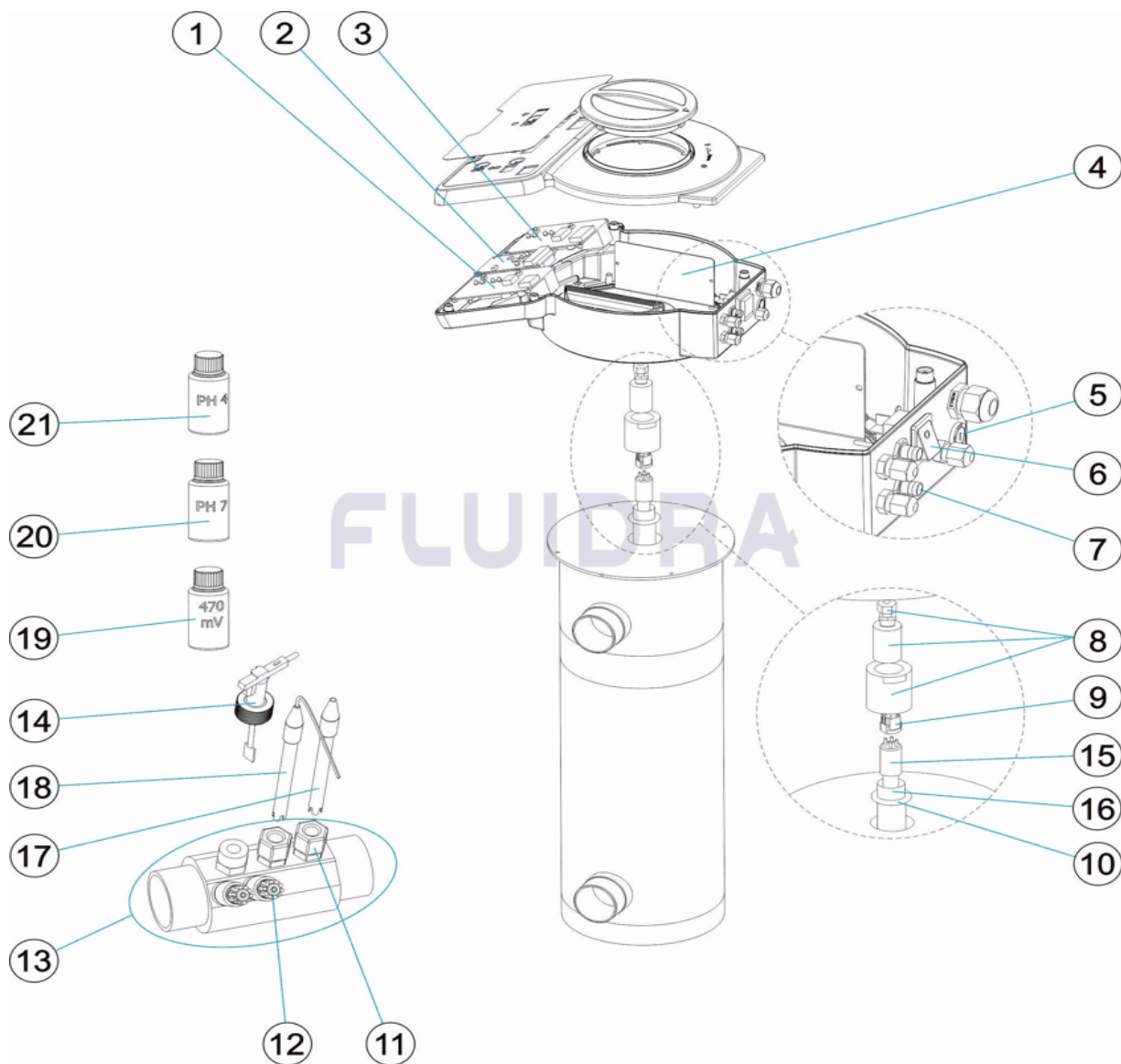
DESCRIPTION: **UV LP PE (10,14,20,25) HELIOX UV**

OBSERVATIONS

POS	CODE	OBSERVATIONS
1	* 4408040602	FOR: 52218, 52219, 52220, 52221
3	* 4408041019	FOR: 52218, 52219, 52220, 52221
4	* 4408070061	FOR: 52214, 52215, 52218, 52219
4	* 4408070062	FOR: 52216, 52217, 52220, 52221
7	* 4408070069	FOR: 52218, 52219, 52220, 52221
11	* 4408040604	FOR: 52218, 52219, 52220, 52221
12	* 4408040068	FOR: 52218, 52219, 52220, 52221
13	* 4408070070	FOR: 52218, 52219, 52220, 52221
14	* 71124	FOR: 52218, 52219, 52220, 52221
15	* 60559	FOR: 52214, 52218
15	* 60606	FOR: 52215, 52219
15	* 60608	FOR: 52216, 52220
15	* 60609	FOR: 52217, 52221
16	* 60607	FOR: 52214, 52215, 52218, 52219
16	* 60631	FOR: 52216, 52217, 52220, 52221
17	* 60648	FOR: 52218, 52219, 52220, 52221
18	* 60649	FOR: 52218, 52219, 52220, 52221
19	* 60633	FOR: 52218, 52219, 52220, 52221
20	* 60618	FOR: 52218, 52219, 52220, 52221
21	* 60632	FOR: 52218, 52219, 52220, 52221

CODICE 52214, 52215, 52216, 52217, 52218, 52219, 52220, 52221

DESCRIZIONE: UV HELIOX UV LP PE (10,14,20,25)



ITALIANO

POS	CODICE	DESCRIZIONE	QUANTITA'	POS	CODICE	DESCRIZIONE	QUANTITA'
1	* 4408040602	SCHEDA PH		13	* 4408070070	CORPO SENSORI	
2	4408070066	UV SCHEDA ELETTRONICA		14	* 71124	FLUSSOSTATO	
3	* 4408041019	SCHEDA RX		15	* 60559	LAMPADA UV LP-10	
4	* 4408070061	REGOLATORE DI CORRENTE LP 10, 14		15	* 60606	LAMPADA UV LP-14	
4	* 4408070062	REGOLATORE DI CORRENTE LP 20, 25		15	* 60608	LAMPADA UV LP-20 (1X75W) Y LP30 V12 (2)	
5	4408041015	PORTAFUSIBILI 6X32 CORPO		15	* 60609	LAMPADA UV LP-25	
6	4408070065	INTERRUTTORE		16	* 60607	GUAINA DI QUARZO LP 10, 14	
7	* 4408070069	CONNETTORE BCN		16	* 60631	GUAINA DI QUARZO LP 20, 25, 30	
8	4408070078	CONGIUNTO DADI		17	* 60648	ELETTRODO COMBINATO PH	
9	4408070059	CONNETTORE 4910		18	* 60649	ELETTRODO RX	
10	4408070077	O-RING		19	* 60633	SOLUZIONE CALIBRAZIONE 470MV.	
11	* 4408040604	PORTAELETTODO PE 12M/M. X 1/2"		20	* 60618	SOLUZIONE TAMPONE PH 7,0 50 M/L. (VER	
12	* 4408040068	VALVOLA INIEZIONE PH-MINUS 3/8"		21	* 60632	SOLUZIONE TAMPONE PH 4,0 50 ML. (ROS:	

CODICE **52214, 52215, 52216, 52217, 52218, 52219, 52220, 52221**

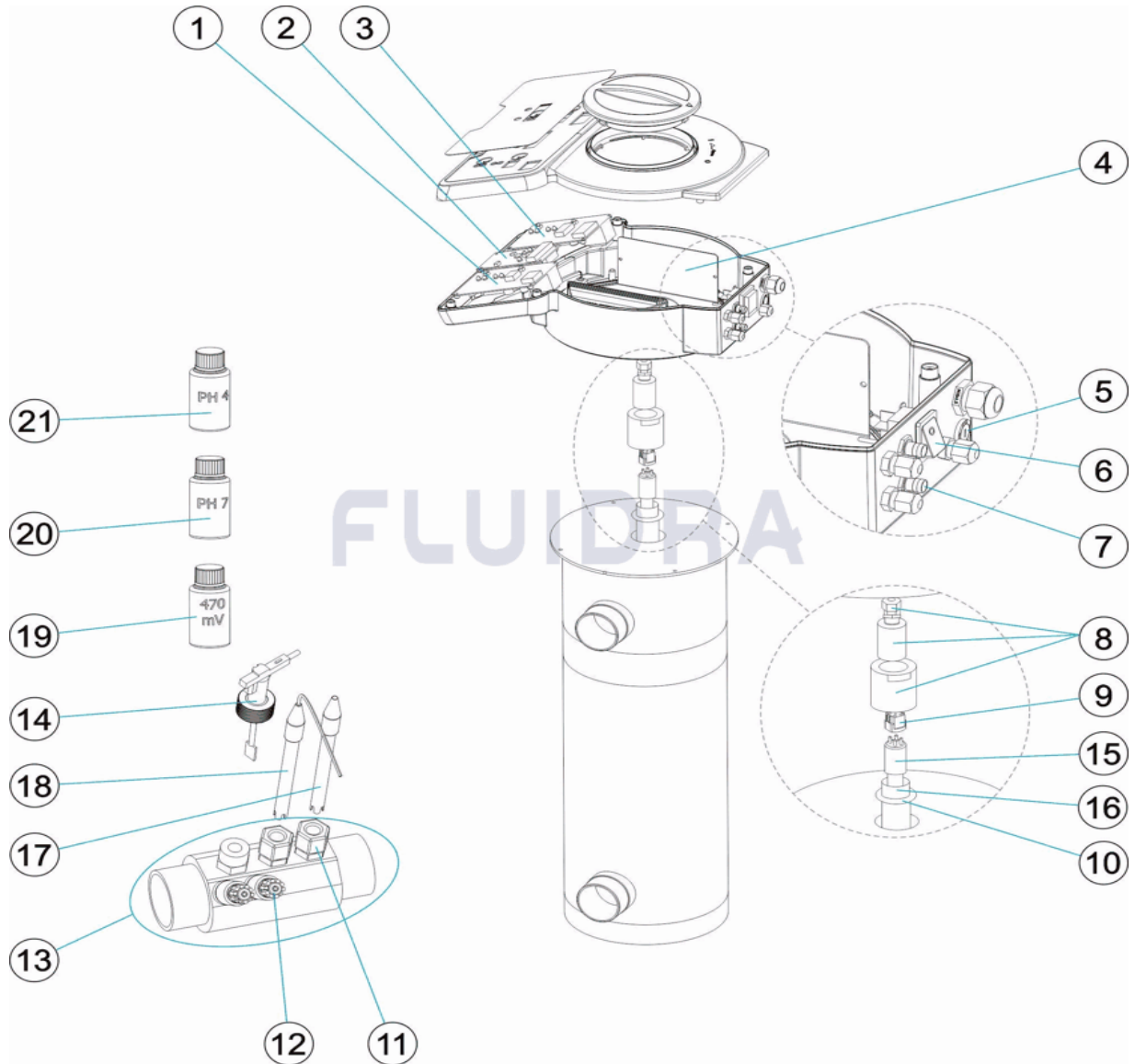
DESCRIZIONE: **UV HELIOX UV LP PE (10,14,20,25)**

OSSERVAZIONI

POS	CODICE	OSSERVAZIONI
1	* 4408040602	PER: 52218, 52219, 52220, 52221
3	* 4408041019	PER: 52218, 52219, 52220, 52221
4	* 4408070061	PER: 52214, 52215, 52218, 52219
4	* 4408070062	PER: 52216, 52217, 52220, 52221
7	* 4408070069	PER: 52218, 52219, 52220, 52221
11	* 4408040604	PER: 52218, 52219, 52220, 52221
12	* 4408040068	PER: 52218, 52219, 52220, 52221
13	* 4408070070	PER: 52218, 52219, 52220, 52221
14	* 71124	PER: 52218, 52219, 52220, 52221
15	* 60559	PER: 52214, 52218
15	* 60606	PER: 52215, 52219
15	* 60608	PER: 52216, 52220
15	* 60609	PER: 52217, 52221
16	* 60607	PER: 52214, 52215, 52218, 52219
16	* 60631	PER: 52216, 52217, 52220, 52221
17	* 60648	PER: 52218, 52219, 52220, 52221
18	* 60649	PER: 52218, 52219, 52220, 52221
19	* 60633	PER: 52218, 52219, 52220, 52221
20	* 60618	PER: 52218, 52219, 52220, 52221
21	* 60632	PER: 52218, 52219, 52220, 52221

CODE **52214, 52215, 52216, 52217, 52218, 52219, 52220, 52221**

BESCHREIBUNG: **UV HELIOX LP PE (10,14,20,25)**



DEUTSCH

POS	CODE	BESCHREIBUNG	MENGE	POS	CODE	BESCHREIBUNG	MENGE
1	* 4408040602	STEUERPLATINE PH		13	* 4408070070	GEHÄUSE SENSOREN	
2	4408070066	UV ELEKTRISCHE PLATINE		14	* 71124	DURCHFLUSSMESSER	
3	* 4408041019	ORP-KONTROLLPLATTE		15	* 60559	LAMPE UV LP - 10	
4	* 4408070061	VORSCHALTGERÄT LP 10, 14		15	* 60606	LAMPE UV LP - 14	
4	* 4408070062	VORSCHALTGERÄT LP 20, 25		15	* 60608	LAMPE UV LP - 20 (1 X 75 W) UND LP30 V12	
5	4408041015	SICHERUNGSSITZ 6 X 32 RAHMEN		15	* 60609	LAMPE UV LP - 25	
6	4408070065	SCHALTER		16	* 60607	QUARZRÖHRE UV LP - 10,14	
7	* 4408070069	STECKKUPPLUNG BCN		16	* 60631	QUARZRÖHRE UV LP - 20 - 25 - 30	
8	4408070078	SET MUTTERN		17	* 60648	ELEKTRODE KOMBINIERT PH	
9	4408070059	STECKKUPPLUNG 4PIN		18	* 60649	ORP-ELEKTRODE	
10	4408070077	O-RING		19	* 60633	KALIBRIERLÖSUNG 47 0MV	
11	* 4408040604	ELEKTRODENSITZ PE 12 MM-1/2"		20	* 60618	PUFFER PH 7,0 50 M/L (GRÜN)	
12	* 4408040068	INJEKTORVENTIL PH-MINUS 3/8"		21	* 60632	PUFFER PH 4,0 50 ML (ROT)	

CODE **52214, 52215, 52216, 52217, 52218, 52219, 52220, 52221**

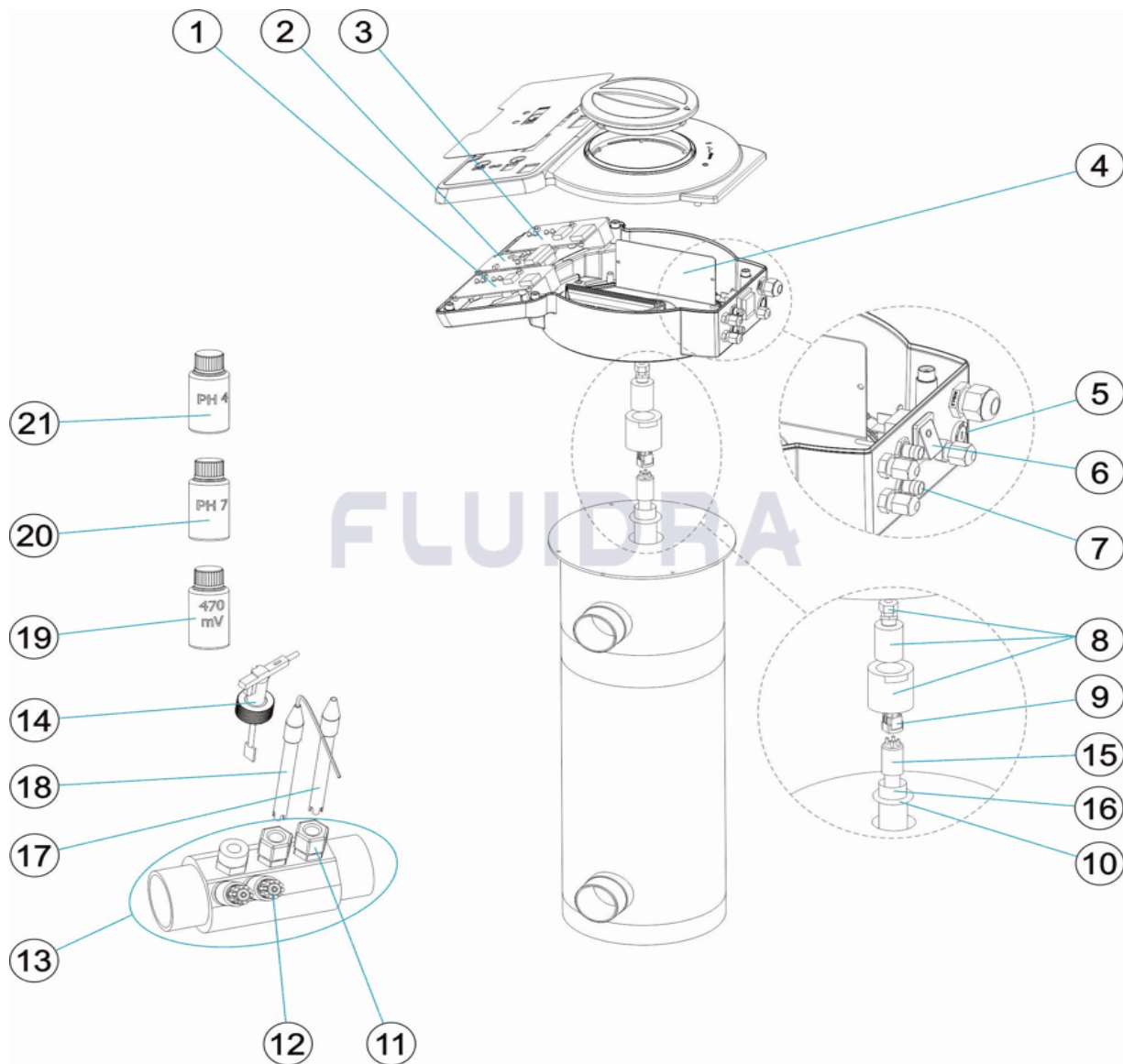
BESCHREIBUNG: **UV HELIOX LP PE (10,14,20,25)**

HINWEISE

POS	CODE	HINWEISE
1	* 4408040602	FÜR: 52218, 52219, 52220, 52221
3	* 4408041019	FÜR: 52218, 52219, 52220, 52221
4	* 4408070061	FÜR: 52214, 52215, 52218, 52219
4	* 4408070062	FÜR: 52216, 52217, 52220, 52221
7	* 4408070069	FÜR: 52218, 52219, 52220, 52221
11	* 4408040604	FÜR: 52218, 52219, 52220, 52221
12	* 4408040068	FÜR: 52218, 52219, 52220, 52221
13	* 4408070070	FÜR: 52218, 52219, 52220, 52221
14	* 71124	FÜR: 52218, 52219, 52220, 52221
15	* 60559	FÜR: 52214, 52218
15	* 60606	FÜR: 52215, 52219
15	* 60608	FÜR: 52216, 52220
15	* 60609	FÜR: 52217, 52221
16	* 60607	FÜR: 52214, 52215, 52218, 52219
16	* 60631	FÜR: 52216, 52217, 52220, 52221
17	* 60648	FÜR: 52218, 52219, 52220, 52221
18	* 60649	FÜR: 52218, 52219, 52220, 52221
19	* 60633	FÜR: 52218, 52219, 52220, 52221
20	* 60618	FÜR: 52218, 52219, 52220, 52221
21	* 60632	FÜR: 52218, 52219, 52220, 52221

CODIGO 52214, 52215, 52216, 52217, 52218, 52219, 52220, 52221

DESCRIÇÃO: UV HELIOX UV LP PE (10,14,20,25)



PORTUGUES

POS	CODIGO	DESCRIÇÃO	JANTIDADE	POS	CODIGO	DESCRIÇÃO	JANTIDADE
1	* 4408040602	PLACA CONTROLO PH		13	* 4408070070	CORPO SENSORES	
2	4408070066	UV CARTÃO ELECTRÓNICO		14	* 71124	FLUXO-ESTATO	
3	* 4408041019	PLACA CONTROLO ORP		15	* 60559	LÂMPADA UV LP-10	
4	* 4408070061	BALASTRO LP 10, 14		15	* 60606	LÂMPADA UV LP-14	
4	* 4408070062	BALASTRO LP 20, 25		15	* 60608	LÂMPADA UV LP-20 (1X75W) Y LP30 V12 (2)	
5	4408041015	PORTAFUSIVEIS 6X32 CHASIS		15	* 60609	LÂMPADA UV LP-25	
6	4408070065	INTERRUPTOR		16	* 60607	TUBO DE QUARZO LP 10, 14	
7	* 4408070069	LIGAÇÃO BCN		16	* 60631	TUBO DE QUARZO LP 20, 25, 30	
8	4408070078	CJTO. PORCAS		17	* 60648	ELECTRODO COMBINADO PH	
9	4408070059	LIGAÇÃO 4PIN		18	* 60649	ELECTRODO ORP	
10	4408070077	JUNTA TÓRICA		19	* 60633	SOLUÇÃO TAMPÃO 470 MV	
11	* 4408040604	PORTAELECTRODOS PE 12M/M-1/2"		20	* 60618	SOLUÇÃO TAMPÃO PH 7,0 50 ML. (VERDE)	
12	* 4408040068	VALVOLA INJEÇÃO PH-MINUS 3/8"		21	* 60632	SOLUÇÃO TAMPÃO PH 4,0 50 ML. (VERMEL)	

CODIGO **52214, 52215, 52216, 52217, 52218, 52219, 52220, 52221**

DESCRIÇÃO: UV HELIOX UV LP PE (10,14,20,25)

OBSERVAÇÕES

POS	CODIGO	OBSERVAÇÕES
1	* 4408040602	PARA: 52218, 52219, 52220, 52221
3	* 4408041019	PARA: 52218, 52219, 52220, 52221
4	* 4408070061	PARA: 52214, 52215, 52218, 52219
4	* 4408070062	PARA: 52216, 52217, 52220, 52221
7	* 4408070069	PARA: 52218, 52219, 52220, 52221
11	* 4408040604	PARA: 52218, 52219, 52220, 52221
12	* 4408040068	PARA: 52218, 52219, 52220, 52221
13	* 4408070070	PARA: 52218, 52219, 52220, 52221
14	* 71124	PARA: 52218, 52219, 52220, 52221
15	* 60559	PARA: 52214, 52218
15	* 60606	PARA: 52215, 52219
15	* 60608	PARA: 52216, 52220
15	* 60609	PARA: 52217, 52221
16	* 60607	PARA: 52214, 52215, 52218, 52219
16	* 60631	PARA: 52216, 52217, 52220, 52221
17	* 60648	PARA: 52218, 52219, 52220, 52221
18	* 60649	PARA: 52218, 52219, 52220, 52221
19	* 60633	PARA: 52218, 52219, 52220, 52221
20	* 60618	PARA: 52218, 52219, 52220, 52221
21	* 60632	PARA: 52218, 52219, 52220, 52221