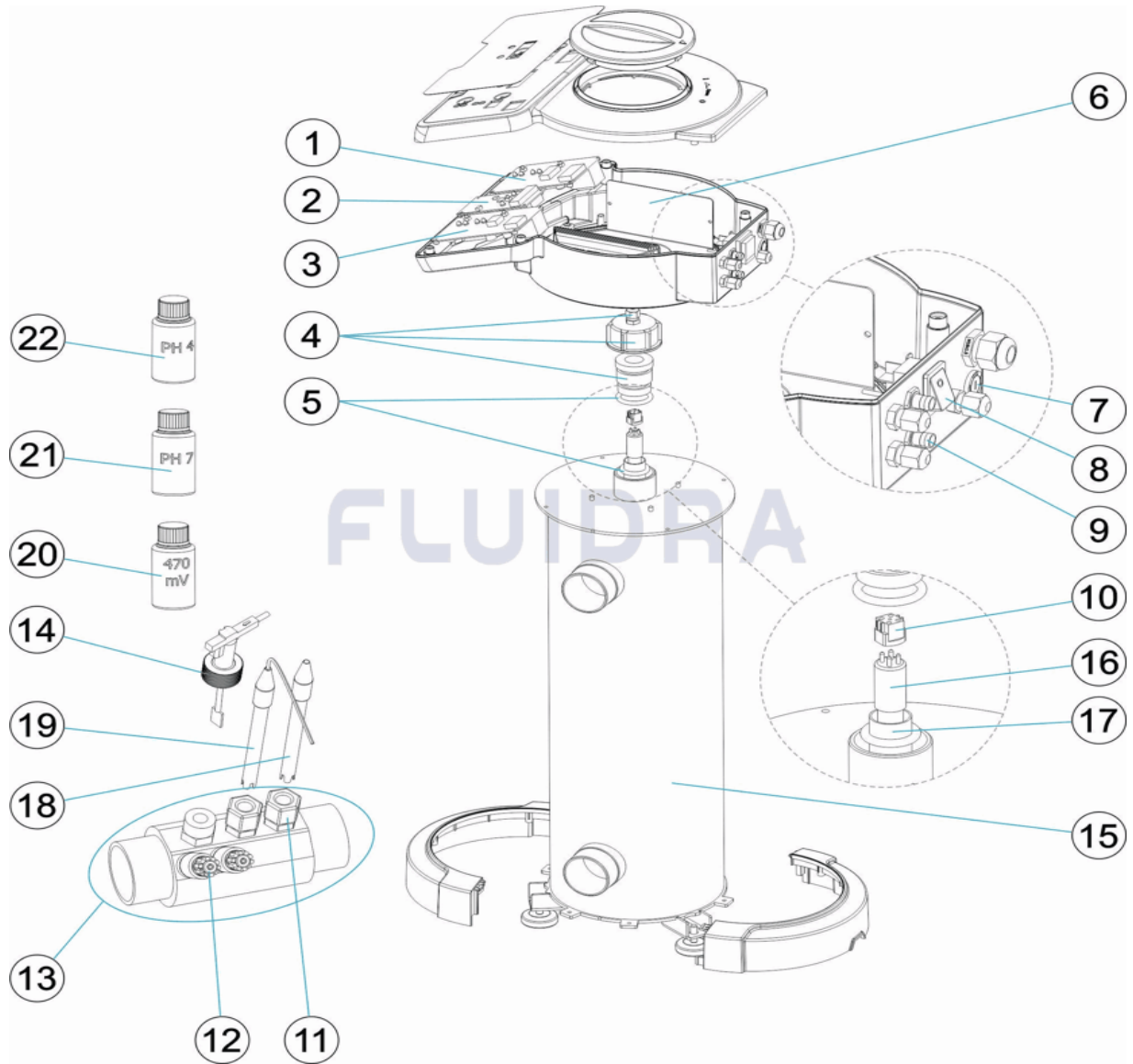


CODIGO 52206, 52207, 52208, 52209, 52210, 52211, 52212, 52213

DESCRIPCION: UV HELIOX LP AISI 316 (10,14,25,30)



ESPAÑOL

POS	CODIGO	DESCRIPCION	CANTIDAD	POS	CODIGO	DESCRIPCION	CANTIDAD
1	* 4408041019	PLACA CONTROL ORP		14	* 71124	FLUJOSTATO	
2	4408070066	UV TARJETA ELECTRONICA		15	52206R0011	CUERPO INOX	
3	* 4408040602	PLACA CONTROL PH		16	* 60559	LAMPARA UV LP-10	
4	4408070060	CJTO. TUERCAS		16	* 60606	LAMPARA UV LP-14	
5	4408070058	JUEGO DE 2 JUNTAS TÓRICAS		16	* 60609	LAMPARA UV LP-25	
6	* 4408070061	BALASTRO LP 10, 14		16	* 60637	LAMPARA UV LP 2X75W	
6	* 4408070062	BALASTRO LP 20, 25		17	* 60607	CUARZO UV LP-10,14	
7	4408041015	PORTAFUSIBLES 6X32 CHASIS		17	* 60631	CUARZO UV LP-20-25-30	
8	4408070065	INTERRUPTOR		18	* 60648	ELECTRODO COMBINADO PH	
9	* 4408070069	CONECTOR BCN		19	* 60649	ELECTRODO ORP	
10	4408070059	CONECTOR 4PIN		20	* 60633	SOLUCION CALIBRACION 470MV.	
11	* 4408040604	PORTAELECTRODOS PE 12M/M-1/2"		21	* 60618	TAMPON PH 7,0 50 M/L. (VERDE)	
12	* 4408040068	VALVULA INYECCION PH-MINUS 3/8"		22	* 60632	TAMPON PH 4,0 50 ML. (ROJO)	

CODIGO **52206, 52207, 52208, 52209, 52210, 52211, 52212, 52213**DESCRIPCION: **UV HELIOX LP AISI 316 (10,14,25,30)**

13	* 4408070070	CUERPO SENSORES			
----	--------------	-----------------	--	--	--

CODIGO 52206, 52207, 52208, 52209, 52210, 52211, 52212, 52213

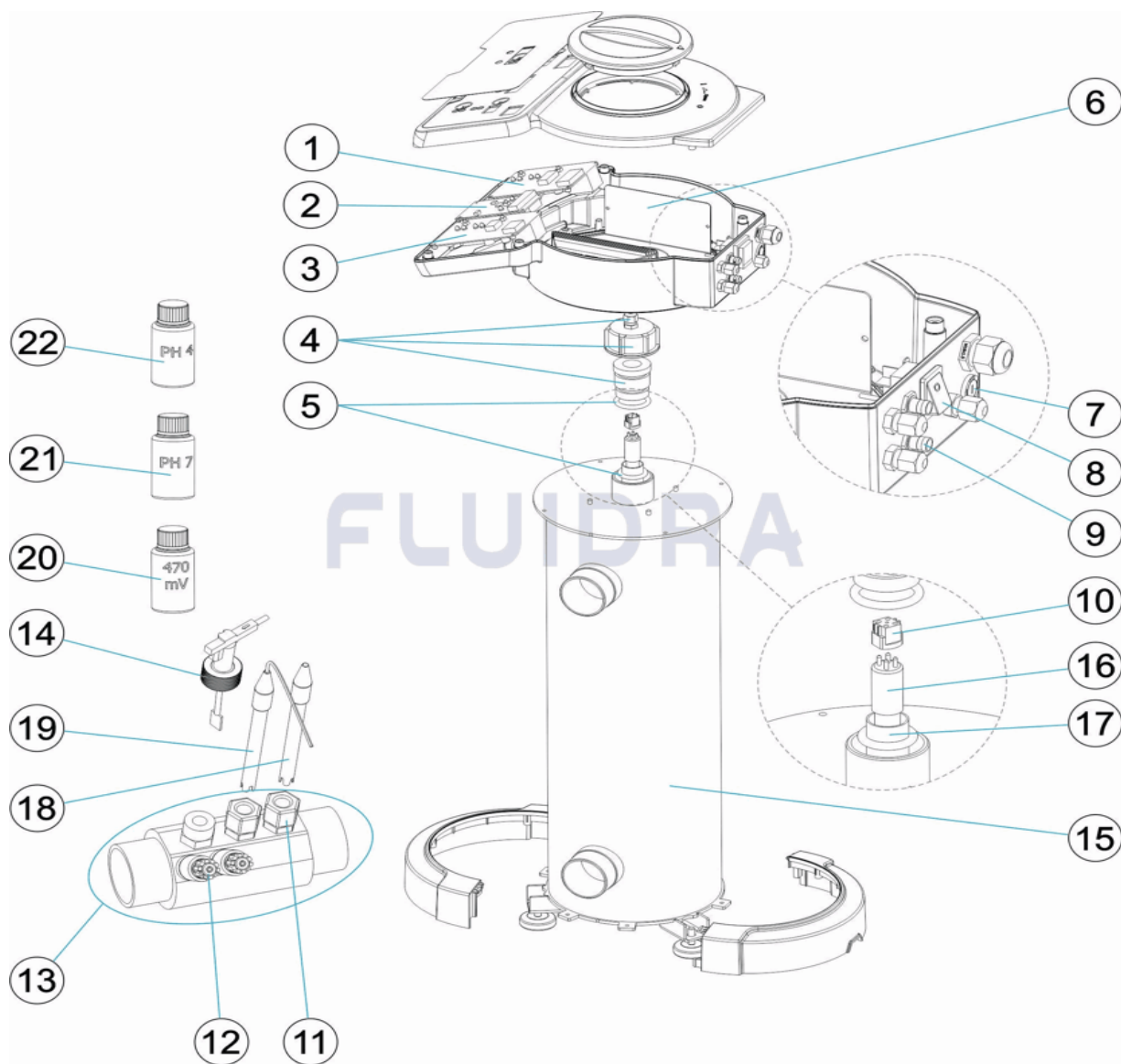
DESCRIPCION: UV HELIOX LP AISI 316 (10,14,25,30)

OBSERVACIONES

POS	CODIGO	OBSERVACIONES
1	* 4408041019	PARA: 52210, 52211, 52212, 52213
3	* 4408040602	PARA: 52210, 52211, 52212, 52213
6	* 4408070061	PARA: 52206, 52207, 52210, 52211
6	* 4408070062	PARA: 52208, 52209, 52212, 52213
9	* 4408070069	PARA: 52210, 52211, 52212, 52213
11	* 4408040604	PARA: 52210, 52211, 52212, 52213
12	* 4408040068	PARA: 52210, 52211, 52212, 52213
13	* 4408070070	PARA: 52210, 52211, 52212, 52213
14	* 71124	PARA: 52210, 52211, 52212, 52213
16	* 60559	PARA: 52206, 52210
16	* 60606	PARA: 52207, 52211
16	* 60609	PARA: 52208, 52212
16	* 60637	PARA: 52209, 52213
17	* 60607	PARA: 52206, 52207, 52210, 52211
17	* 60631	PARA: 52208, 52209, 52212, 52213
18	* 60648	PARA: 52210, 52211, 52212, 52213
19	* 60649	PARA: 52210, 52211, 52212, 52213
20	* 60633	PARA: 52210, 52211, 52212, 52213
21	* 60618	PARA: 52210, 52211, 52212, 52213
22	* 60632	PARA: 52210, 52211, 52212, 52213

CODE 52206, 52207, 52208, 52209, 52210, 52211, 52212, 52213

DESCRIPTION: UV HÉLIOX LP AISI 316 (10,14,25,30)



FRANCAIS

POS	CODE	DESCRIPTION	QUANTITE	POS	CODE	DESCRIPTION	QUANTITE
1	* 4408041019	PLAQUE CONTRÔLE ORP		14	* 71124	CONTROLEUR DE DEBIT	
2	4408070066	UV CARTE ÉLECTRONIQUE		15	52206R0011	CORPS INOX	
3	* 4408040602	PLAQUE CONTRÔLE PH		16	* 60559	LAMPE UV LP-10	
4	4408070060	ECROU		16	* 60606	LAMPE UV LP-14	
5	4408070058	SET DE 2 JOINTS TORIQUES		16	* 60609	LAMPE UV LP-25	
6	* 4408070061	BALLAST LP 10, 14		16	* 60637	LAMPE UV LP 2X75W	
6	* 4408070062	BALLAST LP 20, 25		17	* 60607	GAINÉ QUARTZ LP 10, 14	
7	4408041015	PORTE-FUSIBLES 6X32 CASSIS		17	* 60631	GAINÉ QUARTZ LP 20, 25, 30	
8	4408070065	INTERRUPTEUR		18	* 60648	ELECTRODE COMBINÉE PH	
9	* 4408070069	CONNECTEUR BCN		19	* 60649	ELECTRODE ORP	
10	4408070059	CONNECTEUR 4PIN		20	* 60633	SOLUTION CALIBRAGE 470 MV	
11	* 4408040604	PORTE-ÉLECTRODE PE 12M/M. 1/2"		21	* 60618	TAMPON PH 7,0 50 M/L. (VERT)	
12	* 4408040068	VANNE INJECTION PH-MINUS 3/8"		22	* 60632	TAMPON PH 4,0 50 ML. (ROUGE)	

* VOIR FICHE D'OBSERVATIONS

CODE **52206, 52207, 52208, 52209, 52210, 52211, 52212, 52213**

DESCRIPTION: **UV HÉLIOX LP AISI 316 (10,14,25,30)**

13	* 4408070070	CORPS CAPTEURS			
----	--------------	----------------	--	--	--

CODE **52206, 52207, 52208, 52209, 52210, 52211, 52212, 52213**

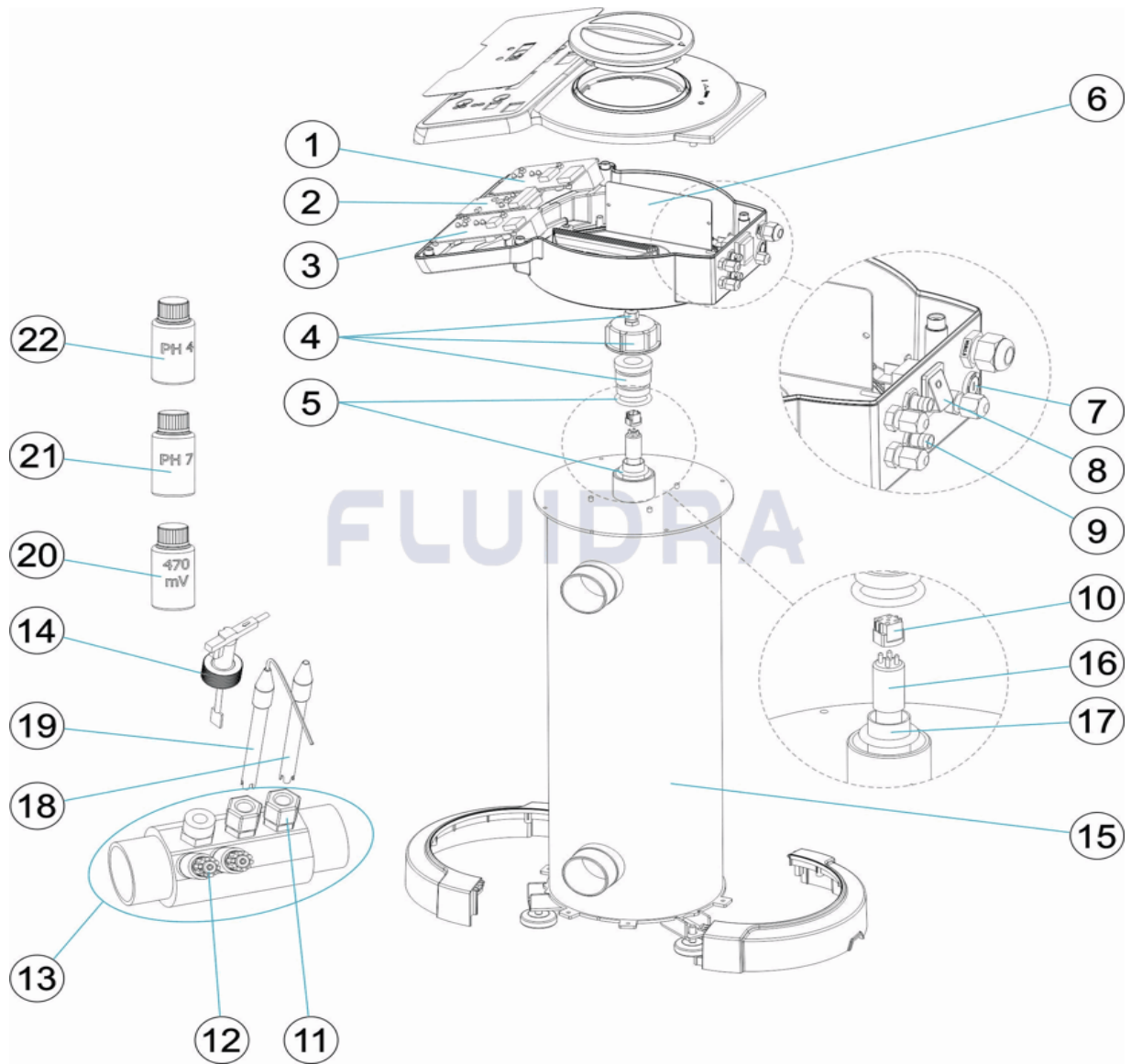
DESCRIPTION: **UV HÉLIOX LP AISI 316 (10,14,25,30)**

OBSERVATIONS

POS	CODE	OBSERVATIONS
1	* 4408041019	POUR: 52210, 52211, 52212, 52213
3	* 4408040602	POUR: 52210, 52211, 52212, 52213
6	* 4408070061	POUR: 52206, 52207, 52210, 52211
6	* 4408070062	POUR: 52208, 52209, 52212, 52213
9	* 4408070069	POUR: 52210, 52211, 52212, 52213
11	* 4408040604	POUR: 52210, 52211, 52212, 52213
12	* 4408040068	POUR: 52210, 52211, 52212, 52213
13	* 4408070070	POUR: 52210, 52211, 52212, 52213
14	* 71124	POUR: 52210, 52211, 52212, 52213
16	* 60559	POUR: 52206, 52210
16	* 60606	POUR: 52207, 52211
16	* 60609	POUR: 52208, 52212
16	* 60637	POUR: 52209, 52213
17	* 60607	POUR: 52206, 52207, 52210, 52211
17	* 60631	POUR: 52208, 52209, 52212, 52213
18	* 60648	POUR: 52210, 52211, 52212, 52213
19	* 60649	POUR: 52210, 52211, 52212, 52213
20	* 60633	POUR: 52210, 52211, 52212, 52213
21	* 60618	POUR: 52210, 52211, 52212, 52213
22	* 60632	POUR: 52210, 52211, 52212, 52213

CODE 52206, 52207, 52208, 52209, 52210, 52211, 52212, 52213

DESCRIPTION: LP STAINLESS STEEL 316 UV HELIOX (10,14,25,30)



ENGLISH

POS	CODE	DESCRIPTION	QUANTITY	POS	CODE	DESCRIPTION	QUANTITY
1	* 4408041019	ELECTRONIC CARD ORP		14	* 71124	WATER FLOW SWITCH	
2	4408070066	UV ELECTRONIC CARD		15	52206R0011	HOUSING STAINLESS STEEL	
3	* 4408040602	ELECTRONIC CARD PH		16	* 60559	LAMPELC UV LP-10	
4	4408070060	NUT		16	* 60606	LAMPELC UV LP-14	
5	4408070058	SET OF 2 O-RINGS		16	* 60609	LAMPELC UV LP-25	
6	* 4408070061	BALLAST LP 10, 14		16	* 60637	LAMPELC UV LP 2X75W	
6	* 4408070062	BALLAST LP 20, 25		17	* 60607	QUARTZ SLEEVE LP 10, 14	
7	4408041015	FUSE HOLDER 6X32		17	* 60631	QUARTZ SLEEVE LP 20, 25, 30	
8	4408070065	CIRCUIT BREAKER		18	* 60648	ELECTRODE PH	
9	* 4408070069	BCN CONNECTOR		19	* 60649	ORP ELECTRODE	
10	4408070059	4PIN CONNECTOR		20	* 60633	CALIBRATION SOLUTION ORP 470 MV	
11	* 4408040604	ELECTRODE CARRIER PE 12M/M.-1/2"		21	* 60618	CALIBRATION SOLUTION PH 7,0 50 M/L. (GF	
12	* 4408040068	PH-MINUS INJECTION VALVE 3/8"		22	* 60632	CALIBRATION SOLUTION PH 4,0 50 ML. (RE	

CODE **52206, 52207, 52208, 52209, 52210, 52211, 52212, 52213**

DESCRIPTION: **LP STAINLESS STEEL 316 UV HELIOX (10,14,25,30)**

13	* 4408070070	SENSOR BODY			
----	--------------	-------------	--	--	--

CODE **52206, 52207, 52208, 52209, 52210, 52211, 52212, 52213**

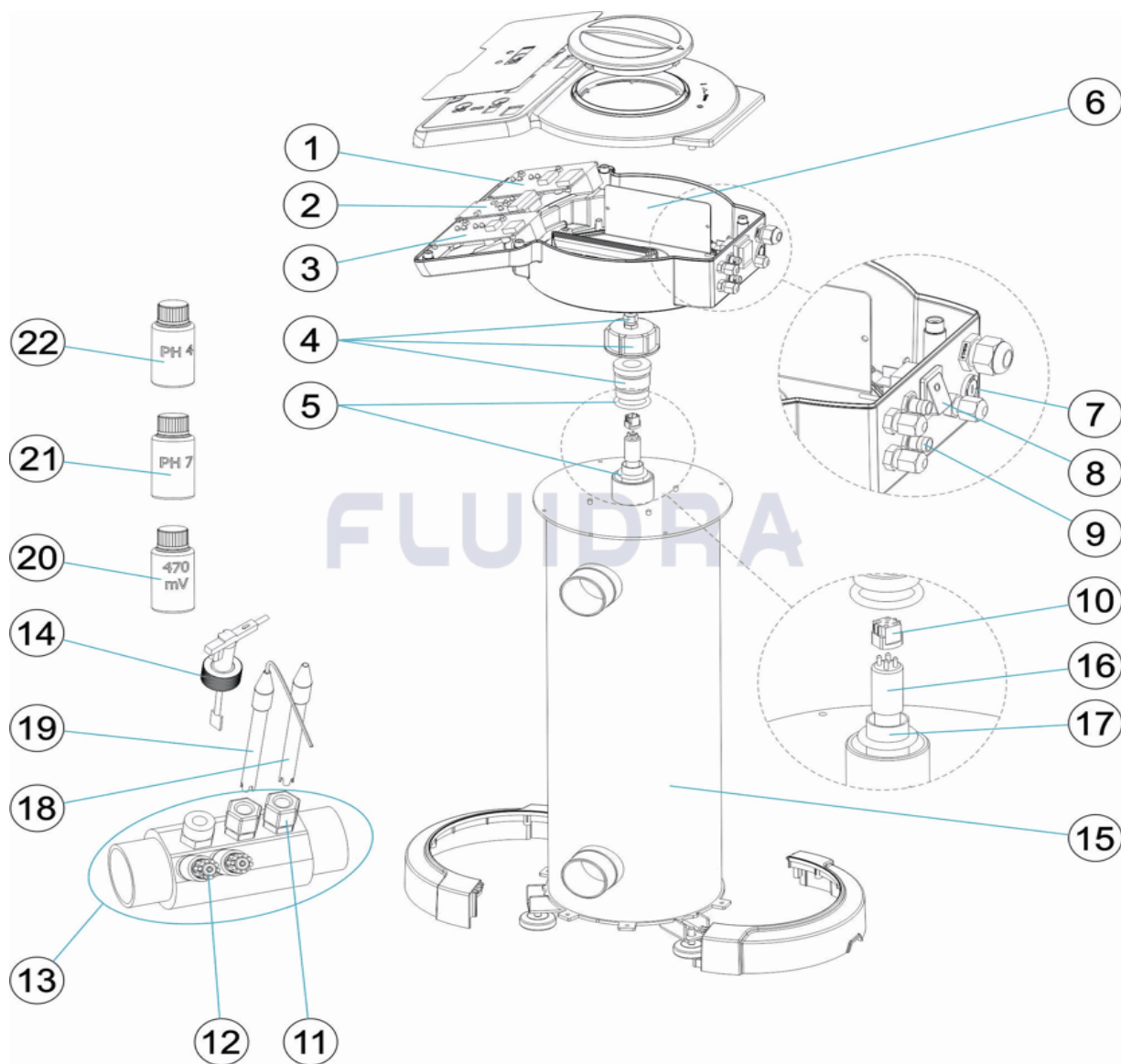
DESCRIPTION: **LP STAINLESS STEEL 316 UV HELIOX (10,14,25,30)**

OBSERVATIONS

POS	CODE	OBSERVATIONS
1	* 4408041019	FOR: 52210, 52211, 52212, 52213
3	* 4408040602	FOR: 52210, 52211, 52212, 52213
6	* 4408070061	FOR: 52206, 52207, 52210, 52211
6	* 4408070062	FOR: 52208, 52209, 52212, 52213
9	* 4408070069	FOR: 52210, 52211, 52212, 52213
11	* 4408040604	FOR: 52210, 52211, 52212, 52213
12	* 4408040068	FOR: 52210, 52211, 52212, 52213
13	* 4408070070	FOR: 52210, 52211, 52212, 52213
14	* 71124	FOR: 52210, 52211, 52212, 52213
16	* 60559	FOR: 52206, 52210
16	* 60606	FOR: 52207, 52211
16	* 60609	FOR: 52208, 52212
16	* 60637	FOR: 52209, 52213
17	* 60607	FOR: 52206, 52207, 52210, 52211
17	* 60631	FOR: 52208, 52209, 52212, 52213
18	* 60648	FOR: 52210, 52211, 52212, 52213
19	* 60649	FOR: 52210, 52211, 52212, 52213
20	* 60633	FOR: 52210, 52211, 52212, 52213
21	* 60618	FOR: 52210, 52211, 52212, 52213
22	* 60632	FOR: 52210, 52211, 52212, 52213

CODICE 52206, 52207, 52208, 52209, 52210, 52211, 52212, 52213

DESCRIZIONE: UV HELIOX LP AISI 316 (10,14,25,30)



ITALIANO

POS	CODICE	DESCRIZIONE	QUANTITA'	POS	CODICE	DESCRIZIONE	QUANTITA'
1	* 4408041019	SCHEDA RX		14	* 71124	FLUSSOSTATO	
2	4408070066	UV SCHEDA ELETTRONICA		15	52206R0011	CORPO INOX	
3	* 4408040602	SCHEDA PH		16	* 60559	LAMPADA UV LP-10	
4	4408070060	DADO		16	* 60606	LAMPADA UV LP-14	
5	4408070058	SET DI 2 GIUNTA TORICA		16	* 60609	LAMPADA UV LP-25	
6	* 4408070061	REGOLATORE DI CORRENTE LP 10, 14		16	* 60637	LAMPADA UV LP 2X75W	
6	* 4408070062	REGOLATORE DI CORRENTE LP 20, 25		17	* 60607	GUAINA DI QUARZO LP 10, 14	
7	4408041015	PORTAFUSIBILI 6X32 CORPO		17	* 60631	GUAINA DI QUARZO LP 20, 25, 30	
8	4408070065	INTERRUTTORE		18	* 60648	ELETTRODO COMBINATO PH	
9	* 4408070069	CONNETTORE BCN		19	* 60649	ELETTRODO RX	
10	4408070059	CONNETTORE 4910		20	* 60633	SOLUZIONE CALIBRAZIONE 470MV.	
11	* 4408040604	PORTAELETTODO PE 12M/M. X 1/2"		21	* 60618	SOLUZIONE TAMPONE PH 7,0 50 M/L. (VER	
12	* 4408040068	VALVOLA INIEZIONE PH-MINUS 3/8"		22	* 60632	SOLUZIONE TAMPONE PH 4,0 50 ML. (ROS:	

* SI FACCIA RIFERIMENTO AL FOGLIO DELLE OSSERVAZIONI

CODICE **52206, 52207, 52208, 52209, 52210, 52211, 52212, 52213**DESCRIZIONE: **UV HELIOX LP AISI 316 (10,14,25,30)**

13	* 4408070070	CORPO SENSORI			
----	--------------	---------------	--	--	--

CODICE **52206, 52207, 52208, 52209, 52210, 52211, 52212, 52213**

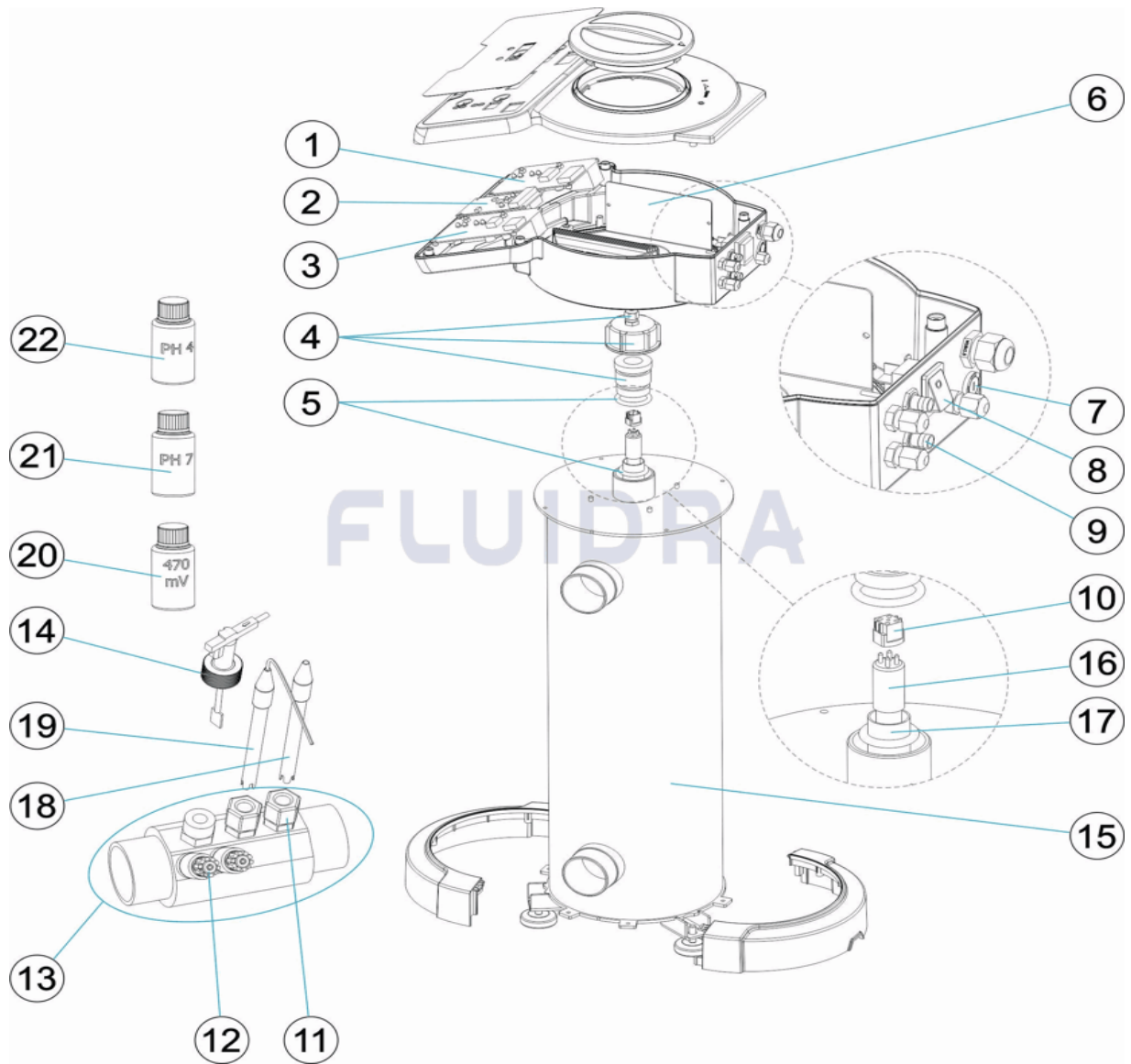
DESCRIZIONE: **UV HELIOX LP AISI 316 (10,14,25,30)**

OSSERVAZIONI

POS	CODICE	OSSERVAZIONI
1	* 4408041019	PER: 52210, 52211, 52212, 52213
3	* 4408040602	PER: 52210, 52211, 52212, 52213
6	* 4408070061	PER: 52206, 52207, 52210, 52211
6	* 4408070062	PER: 52208, 52209, 52212, 52213
9	* 4408070069	PER: 52210, 52211, 52212, 52213
11	* 4408040604	PER: 52210, 52211, 52212, 52213
12	* 4408040068	PER: 52210, 52211, 52212, 52213
13	* 4408070070	PER: 52210, 52211, 52212, 52213
14	* 71124	PER: 52210, 52211, 52212, 52213
16	* 60559	PER: 52206, 52210
16	* 60606	PER: 52207, 52211
16	* 60609	PER: 52208, 52212
16	* 60637	PER: 52209, 52213
17	* 60607	PER: 52206, 52207, 52210, 52211
17	* 60631	PER: 52208, 52209, 52212, 52213
18	* 60648	PER: 52210, 52211, 52212, 52213
19	* 60649	PER: 52210, 52211, 52212, 52213
20	* 60633	PER: 52210, 52211, 52212, 52213
21	* 60618	PER: 52210, 52211, 52212, 52213
22	* 60632	PER: 52210, 52211, 52212, 52213

CODE **52206, 52207, 52208, 52209, 52210, 52211, 52212, 52213**

BESCHREIBUNG: **UV HELIOX LP AISI 316 (10,14,25,30)**



DEUTSCH

POS	CODE	BESCHREIBUNG	MENGE	POS	CODE	BESCHREIBUNG	MENGE
1	* 4408041019	ORP-KONTROLLPLATTE		14	* 71124	DURCHFLUSSMESSER	
2	4408070066	UV ELEKTRISCHE PLATINE		15	52206R0011	GEHÄUSE EDELSTAHLA	
3	* 4408040602	STEUERPLATINE PH		16	* 60559	LAMPE UV LP - 10	
4	4408070060	SET MUTTERN		16	* 60606	LAMPE UV LP - 14	
5	4408070058	SET 2 O-RINGE		16	* 60609	LAMPE UV LP - 25	
6	* 4408070061	VORSCHALTGERÄT LP 10, 14		16	* 60637	LAMPE UV LP 2 X 75 W	
6	* 4408070062	VORSCHALTGERÄT LP 20, 25		17	* 60607	QUARZRÖHRE UV LP - 10,14	
7	4408041015	SICHERUNGSSITZ 6 X 32 RAHMEN		17	* 60631	QUARZRÖHRE UV LP - 20 - 25 - 30	
8	4408070065	SCHALTER		18	* 60648	ELEKTRODE KOMBINIERT PH	
9	* 4408070069	STECKKUPPLUNG BCN		19	* 60649	ORP-ELEKTRODE	
10	4408070059	STECKKUPPLUNG 4PIN		20	* 60633	KALIBRIERLÖSUNG 47 0MV	
11	* 4408040604	ELEKTRODENSITZ PE 12 MM-1/2"		21	* 60618	PUFFER PH 7,0 50 M/L (GRÜN)	
12	* 4408040068	INJEKTORVENTIL PH-MINUS 3/8"		22	* 60632	PUFFER PH 4,0 50 ML (ROT)	

* SIEHE ANMERKUNGSBLATT

CODE **52206, 52207, 52208, 52209, 52210, 52211, 52212, 52213**BESCHREIBUNG: **UV HELIOX LP AISI 316 (10,14,25,30)**

13	* 4408070070	GEHÄUSE SENSOREN			
----	--------------	------------------	--	--	--

CODE **52206, 52207, 52208, 52209, 52210, 52211, 52212, 52213**

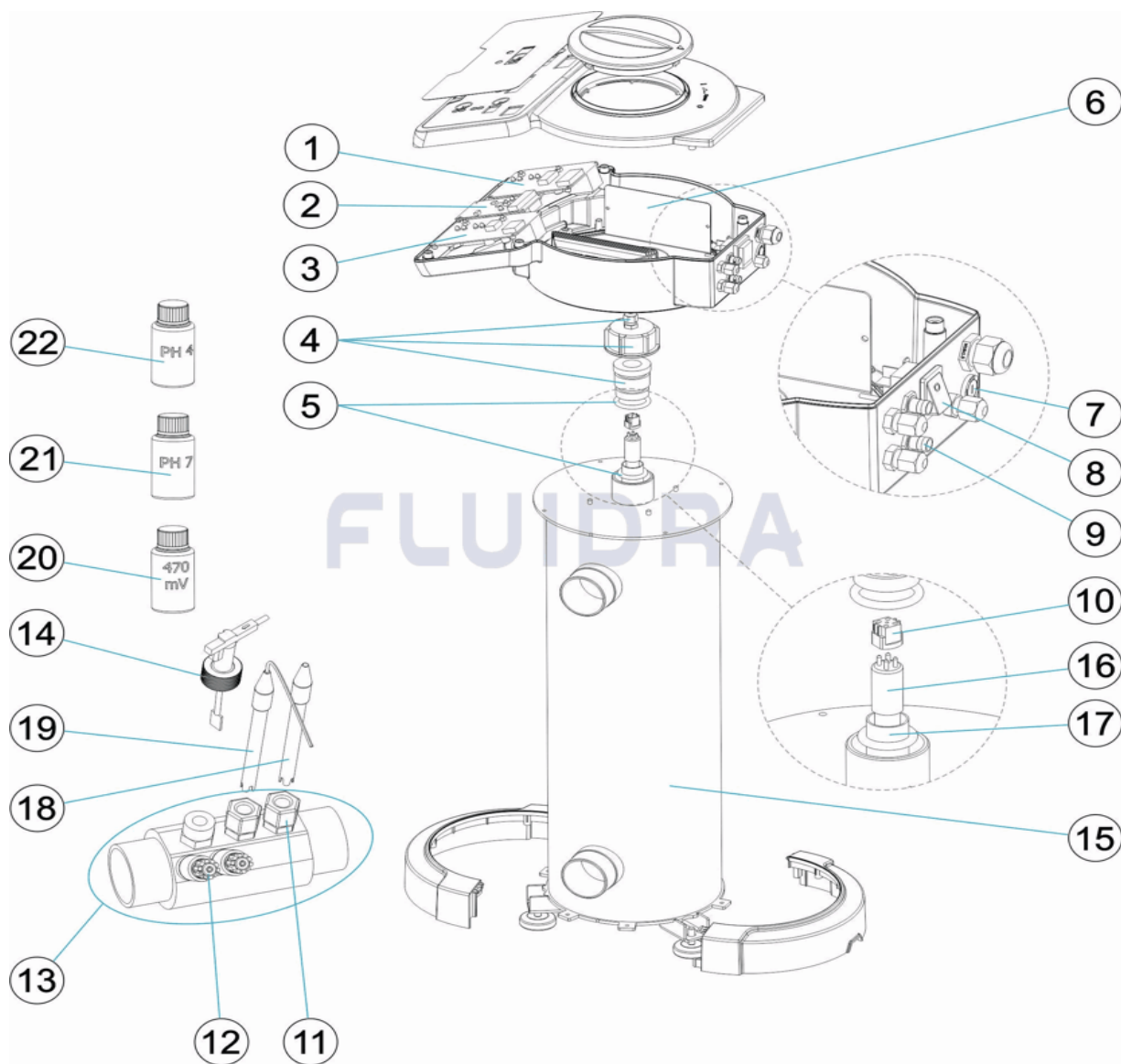
BESCHREIBUNG: **UV HELIOX LP AISI 316 (10,14,25,30)**

HINWEISE

POS	CODE	HINWEISE
1	* 4408041019	FÜR: 52210, 52211, 52212, 52213
3	* 4408040602	FÜR: 52210, 52211, 52212, 52213
6	* 4408070061	FÜR: 52206, 52207, 52210, 52211
6	* 4408070062	FÜR: 52208, 52209, 52212, 52213
9	* 4408070069	FÜR: 52210, 52211, 52212, 52213
11	* 4408040604	FÜR: 52210, 52211, 52212, 52213
12	* 4408040068	FÜR: 52210, 52211, 52212, 52213
13	* 4408070070	FÜR: 52210, 52211, 52212, 52213
14	* 71124	FÜR: 52210, 52211, 52212, 52213
16	* 60559	FÜR: 52206, 52210
16	* 60606	FÜR: 52207, 52211
16	* 60609	FÜR: 52208, 52212
16	* 60637	FÜR: 52209, 52213
17	* 60607	FÜR: 52206, 52207, 52210, 52211
17	* 60631	FÜR: 52208, 52209, 52212, 52213
18	* 60648	FÜR: 52210, 52211, 52212, 52213
19	* 60649	FÜR: 52210, 52211, 52212, 52213
20	* 60633	FÜR: 52210, 52211, 52212, 52213
21	* 60618	FÜR: 52210, 52211, 52212, 52213
22	* 60632	FÜR: 52210, 52211, 52212, 52213

CODIGO 52206, 52207, 52208, 52209, 52210, 52211, 52212, 52213

DESCRIÇÃO: UV HELIOX LP AISI 316 (10, 14, 25, 30)



PORTUGUES

POS	CODIGO	DESCRIÇÃO	JANTIDADE	POS	CODIGO	DESCRIÇÃO	JANTIDADE
1	* 4408041019	PLACA CONTROLO ORP		14	* 71124	FLUXO-ESTATO	
2	4408070066	UV CARTÃO ELECTRÓNICO		15	52206R0011	CORPO INOX	
3	* 4408040602	PLACA CONTROLO PH		16	* 60559	LÂMPADA UV LP-10	
4	4408070060	PORCA		16	* 60606	LÂMPADA UV LP-14	
5	4408070058	CONJUNTO DE 2 JUNTAS TORICAS		16	* 60609	LÂMPADA UV LP-25	
6	* 4408070061	BALASTRO LP 10, 14		16	* 60637	LÂMPADA UV LP 2X75W	
6	* 4408070062	BALASTRO LP 20, 25		17	* 60607	TUBO DE QUARZO LP 10, 14	
7	4408041015	PORTAFUSIVEIS 6X32 CHASIS		17	* 60631	TUBO DE QUARZO LP 20, 25, 30	
8	4408070065	INTERRUPTOR		18	* 60648	ELECTRODO COMBINADO PH	
9	* 4408070069	LIGAÇÃO BCN		19	* 60649	ELECTRODO ORP	
10	4408070059	LIGAÇÃO 4PIN		20	* 60633	SOLUÇÃO TAMPÃO 470 MV	
11	* 4408040604	PORTAELECTRODOS PE 12M/M-1/2"		21	* 60618	SOLUÇÃO TAMPÃO PH 7,0 50 ML. (VERDE)	
12	* 4408040068	VALVOLA INJEÇÃO PH-MINUS 3/8"		22	* 60632	SOLUÇÃO TAMPÃO PH 4,0 50 ML. (VERMEL)	

*** VEJA A FICHA DE OBSERVAÇÕES**

CODIGO **52206, 52207, 52208, 52209, 52210, 52211, 52212, 52213**DESCRIÇÃO: **UV HELIOX LP AISI 316 (10, 14, 25, 30)**

13	* 4408070070	CORPO SENSORES			
----	--------------	----------------	--	--	--

CODIGO **52206, 52207, 52208, 52209, 52210, 52211, 52212, 52213**

DESCRIÇÃO: UV HELIOX LP AISI 316 (10, 14, 25, 30)

OBSERVAÇÕES

POS	CODIGO	OBSERVAÇÕES
1	* 4408041019	PARA: 52210, 52211, 52212, 52213
3	* 4408040602	PARA: 52210, 52211, 52212, 52213
6	* 4408070061	PARA: 52206, 52207, 52210, 52211
6	* 4408070062	PARA: 52208, 52209, 52212, 52213
9	* 4408070069	PARA: 52210, 52211, 52212, 52213
11	* 4408040604	PARA: 52210, 52211, 52212, 52213
12	* 4408040068	PARA: 52210, 52211, 52212, 52213
13	* 4408070070	PARA: 52210, 52211, 52212, 52213
14	* 71124	PARA: 52210, 52211, 52212, 52213
16	* 60559	PARA: 52206, 52210
16	* 60606	PARA: 52207, 52211
16	* 60609	PARA: 52208, 52212
16	* 60637	PARA: 52209, 52213
17	* 60607	PARA: 52206, 52207, 52210, 52211
17	* 60631	PARA: 52208, 52209, 52212, 52213
18	* 60648	PARA: 52210, 52211, 52212, 52213
19	* 60649	PARA: 52210, 52211, 52212, 52213
20	* 60633	PARA: 52210, 52211, 52212, 52213
21	* 60618	PARA: 52210, 52211, 52212, 52213
22	* 60632	PARA: 52210, 52211, 52212, 52213