

DESPIECE

REV.: 2

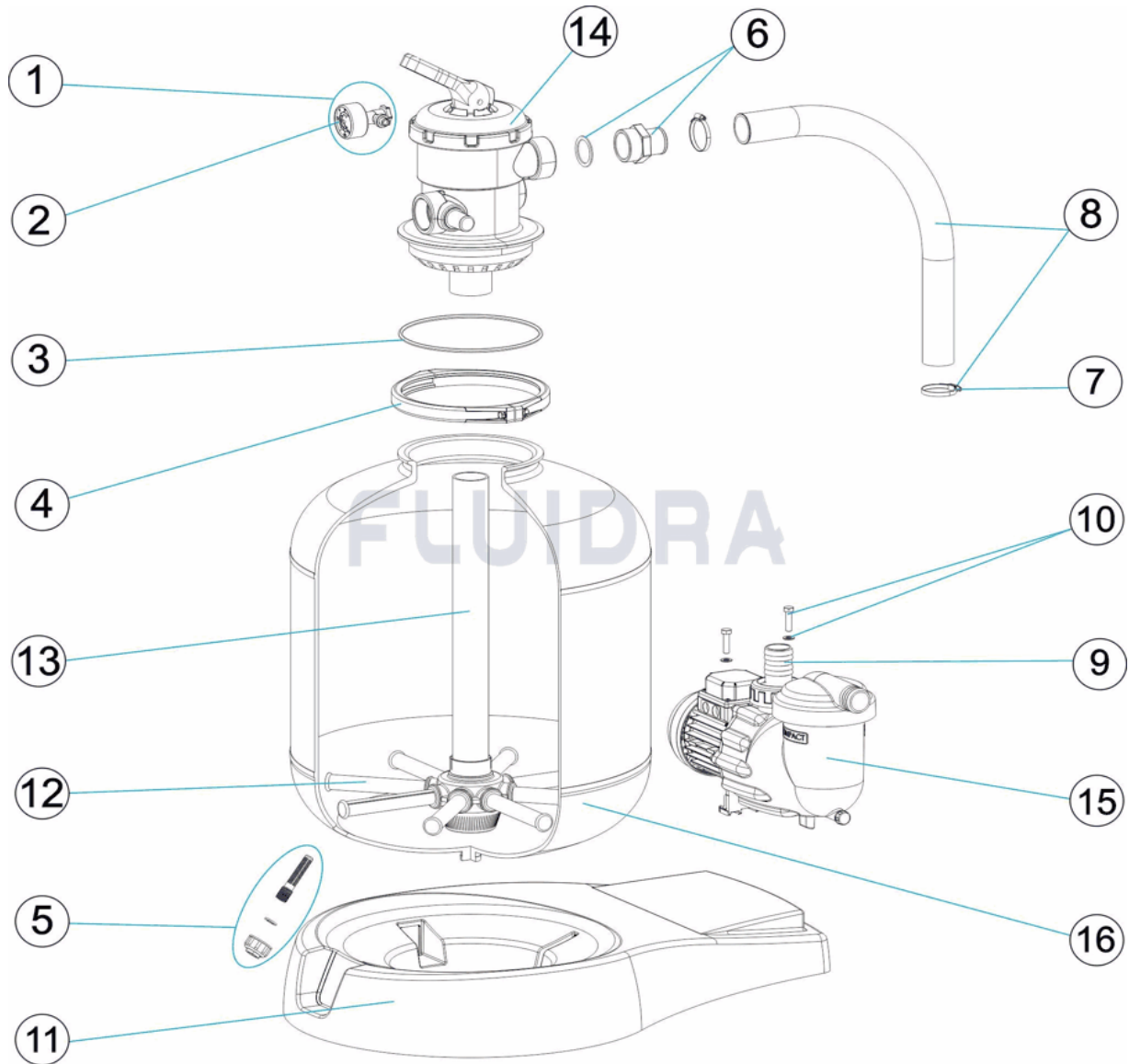
591

FECHA: 06/10/2021

HOJA: 1/6

CODIGO 33729MN45-2, M00245, M00246MP171

DESCRIPCION: MONOBLOC D. 500

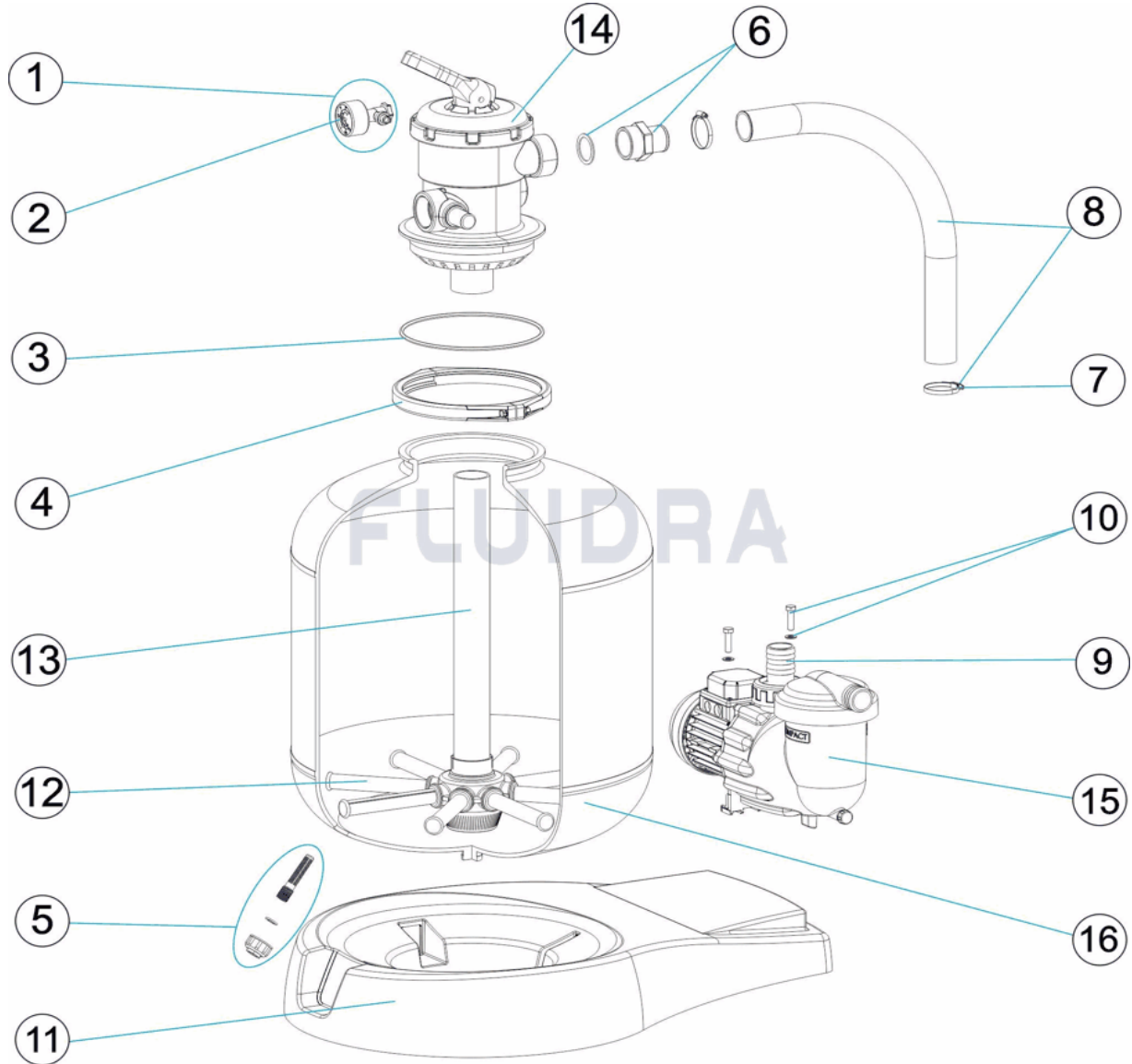


ESPAÑOL

POS	CODIGO	DESCRIPCION	CANTIDAD	POS	CODIGO	DESCRIPCION	CANTIDAD
1	4404180404	MANOMETRO COMPLETO		9	4404250015	CJTO. ENLACE UNION	
2	4404180405	MANOMETRO 1/8" 3 KG/C "		10	4411020409	TORNILLOS CUERPO BOMBA	
3	4404080101A	JUNTA TORICA TAPA		11	4404250016	BASE MONOBLOC	
4	4411020402A	ZUNCHO PLASTICO		12	4404300120	BRAZO COLECTOR 3/4" 160 M "	
5	4404220103	PURGA ARENA		13	4404250024	CJTO. COLECTOR D. 500 TOP	
6	4411020408	MANGUITO + JUNTA		14	4404120002	VALVULA TOP	
7	4411030503	ABRAZADERA		15	25471EM09R1119	BOMBA COMPACT 0,6 CV.	
8	4404250014	MANGUERA CONEXION D. 38		16	154050001RTZ	CUERPO FILTRO D. 500	

CODE **33729MN45-2, M00245, M00246MP171**

DESCRIPTION: **MONOBLOC D. 500**



FRANCAIS

POS	CODE	DESCRIPTION	QUANTITE	POS	CODE	DESCRIPTION	QUANTITE
1	4404180404	MANOMETRE COMPLET		9	4404250015	ENSEMBLE RACCORD UNION	
2	4404180405	MANOMETRE 1/8" 3 KG./C "		10	4411020409	VIS CORPS POMPE	
3	4404080101A	JOINT TORIQUE COUVERCLE		11	4404250016	SOCLE SUPPORT	
4	4411020402A	ENSEMBLE COLLIER EN PLASTIC		12	4404300120	BRAS DE REPARTITEUR 3/4" 160M "	
5	4404220103	PURGE SABLE		13	4404250024	ENSEMBLE COLLECTEUR D. 500 TOP	
6	4411020408	RACCORD + JOINT		14	4404120002	VANNE 6 VOIES 10 M3	
7	4411030503	COLLIER		15	25471EM09R1119	POMPES COMPACT 0,6 CV.	
8	4404250014	TUYAU DE CONEXION D. 38		16	154050001RTZ	CORPS DE FILTRE D. 500	

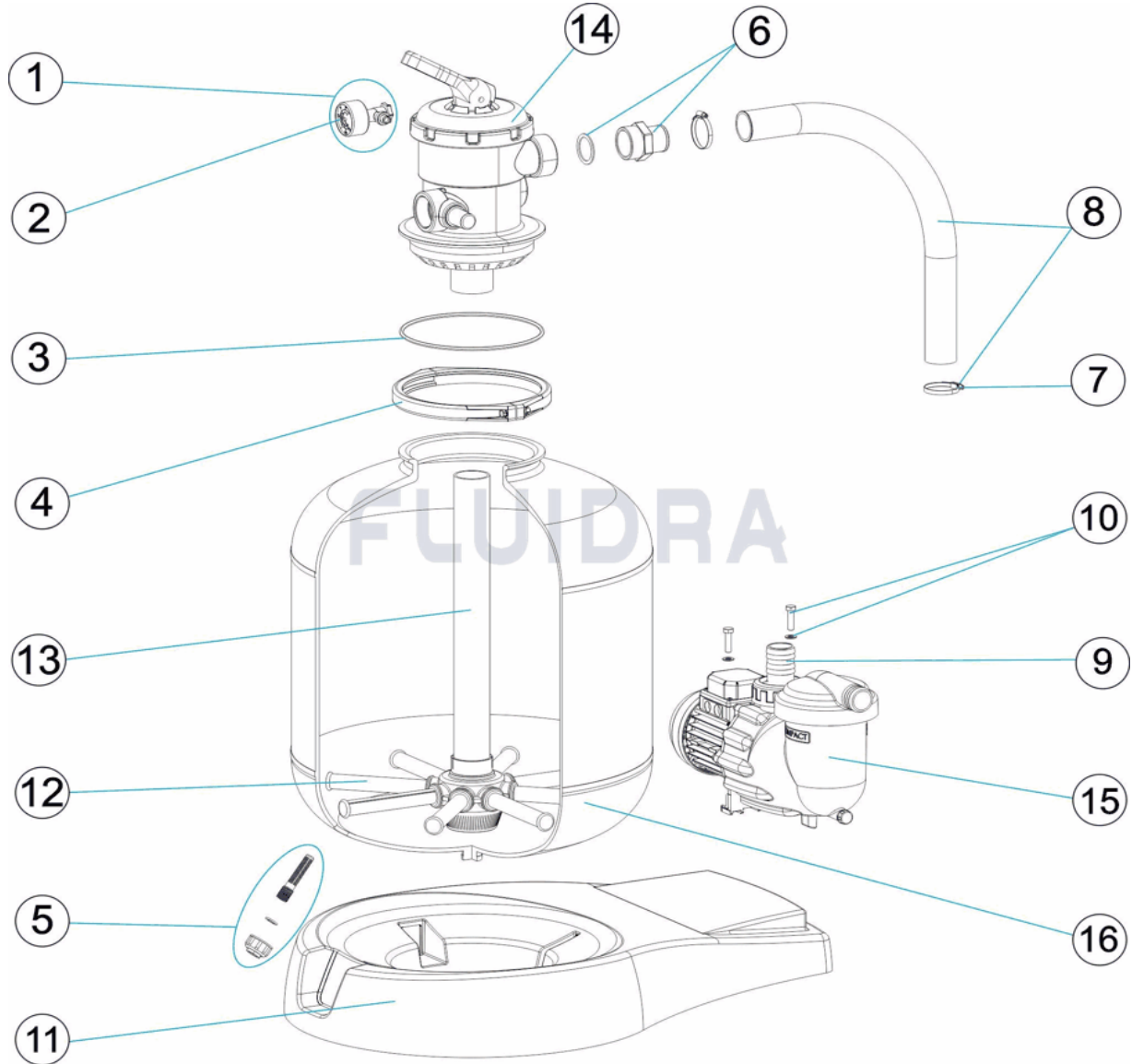
PARTS BREAKDOWN

REV.: 2
DATE: 06/10/2021
SHEET: 3/6

591

CODE 33729MN45-2, M00245, M00246MP171

DESCRIPTION: MONOBLOC D. 500

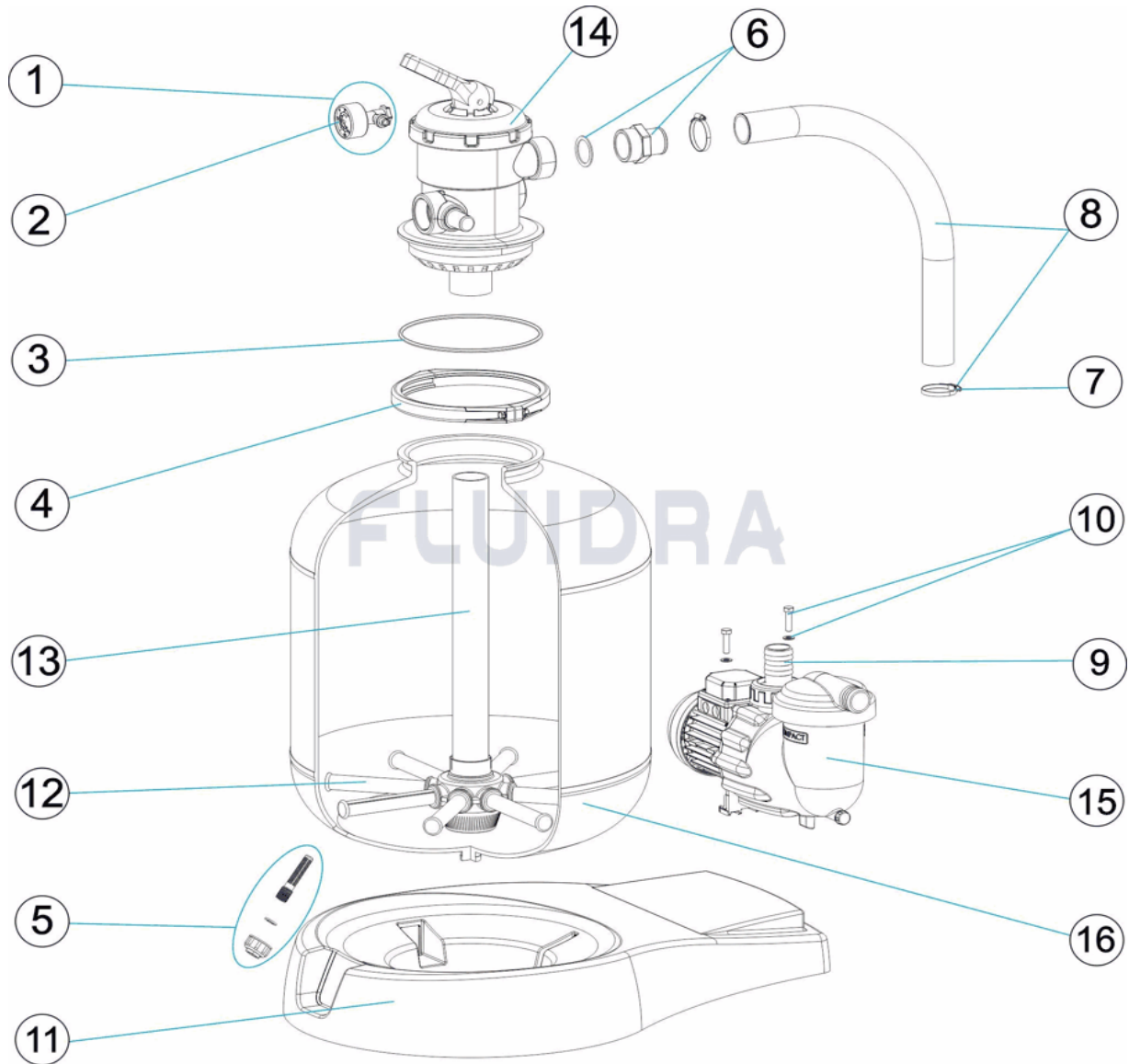


ENGLISH

POS	CODE	DESCRIPTION	QUANTITY	POS	CODE	DESCRIPTION	QUANTITY
1	4404180404	COMPLETE PRESSURE GAUGE UNIT		9	4404250015	UNION KIT	
2	4404180405	PRESSURE GAUGE 1/8" 3 KG./C "		10	4411020409	SCREWS FOR PUMP BODY	
3	4404080101A	LID 'O' RING		11	4404250016	MONOBLOC PLASTIC BASE PLATFORM	
4	4411020402A	PLASTIC V-CLAMP SET		12	4404300120	MANIFOLD ARM 3/4" 160 M "	
5	4404220103	SAND PURGE		13	4404250024	MANIFOLD ASSEMBLY D. 500 TOP	
6	4411020408	BUSH + GASKET		14	4404120002	BAYONETTE MULTIPORT VALVE	
7	4411030503	CLAMP		15	25471EM09R1119	PUMP COMPACT 0,6 CV.	
8	4404250014	CONECTION HOSE D. 38		16	154050001RTZ	FILTER BODY D. 500	

CODICE 33729MN45-2, M00245, M00246MP171

DESCRIZIONE: MONOBLOCC D. 500



ITALIANO

POS	CODICE	DESCRIZIONE	QUANTITA'	POS	CODICE	DESCRIZIONE	QUANTITA'
1	4404180404	MANOMETRO COMPLETO		9	4404250015	KIT ATTACO SEIDA	
2	4404180405	MANOMETRO 1/8" 3 KG./C "		10	4411020409	VITI DEL CORPO POMPA	
3	4404080101A	O-RING COPERCHIO		11	4404250016	BASAMENTO MONOBLOCCO	
4	4411020402A	INSIEME FASCIA IN PLASTICA		12	4404300120	CANDELOTTO COLLECTORE 3/4" 160M "	
5	4404220103	SCARICO SABBIA		13	4404250024	KIT COLLETTORE D. 500 TOP	
6	4411020408	MANICOTTO + GUARNIZIONE		14	4404120002	VALVOLA TOP A 6 VIE	
7	4411030503	FASCETTA		15	25471EM09R1119	POMPE COMPACT 0,6 CV.	
8	4404250014	MANICOTTODI COLLEGAMENTO D. 38		16	154050001RTZ	CORPO FILTRO D. 500	

EINZELTEILE

ÜBER.: 2

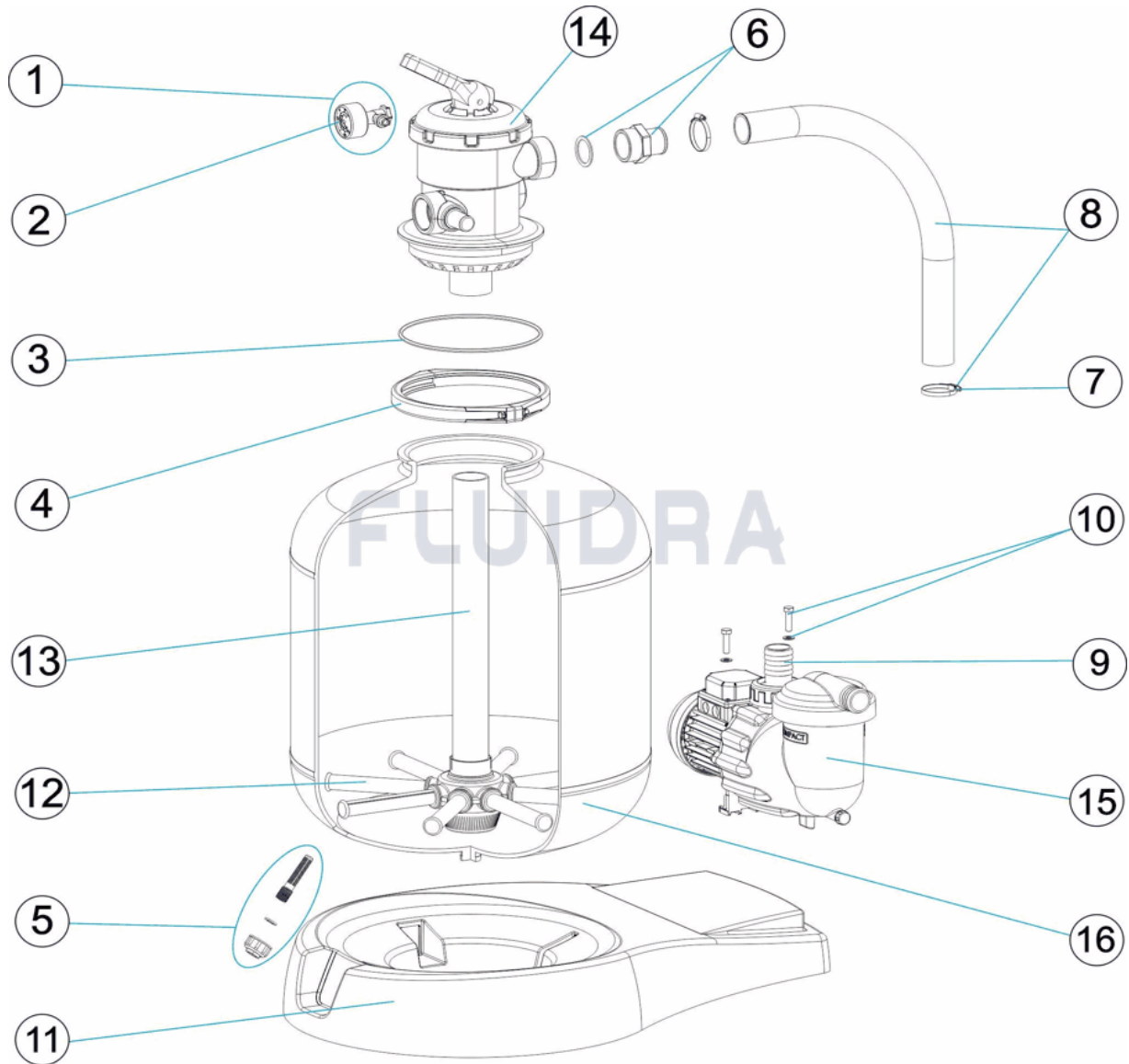
591

DATUM: 06/10/2021

BLATT: 5/6

CODE 33729MN45-2, M00245, M00246MP171

BESCHREIBUNG: MONOBLOC D. 500



DEUTSCH

POS	CODE	BESCHREIBUNG	MENGE	POS	CODE	BESCHREIBUNG	MENGE
1	4404180404	MANOMETER KOMPLETT		9	4404250015	SET ANSCHLUSSVERBINDUNG	
2	4404180405	MANOMETER 1/8" 3 KG/C "		10	4411020409	SCHRAUBEN PUMPENGEHÄUSE	
3	4404080101A	O-RING ABDECKUNG		11	4404250016	BASIS MONOBLOC	
4	4411020402A	EINSATZ KUNSTSTOFF		12	4404300120	FILTERSTERN-SCHLITZROHR 3/4" 160 M "	
5	4404220103	SANDENTLEERUNG		13	4404250024	SAMMELROHRSET D. 500 TOP	
6	4411020408	NIPPEL UND DICHTUNG		14	4404120002	VENTIL TOP	
7	4411030503	SCHELLE		15	25471EM09R1119	PUMPE COMPACT 0,6 CV	
8	4404250014	ANSCHLUSS-SCHLAUCH D. 38		16	154050001RTZ	FILTERGEHÄUSE D. 500	

ITEM

REV.: 2

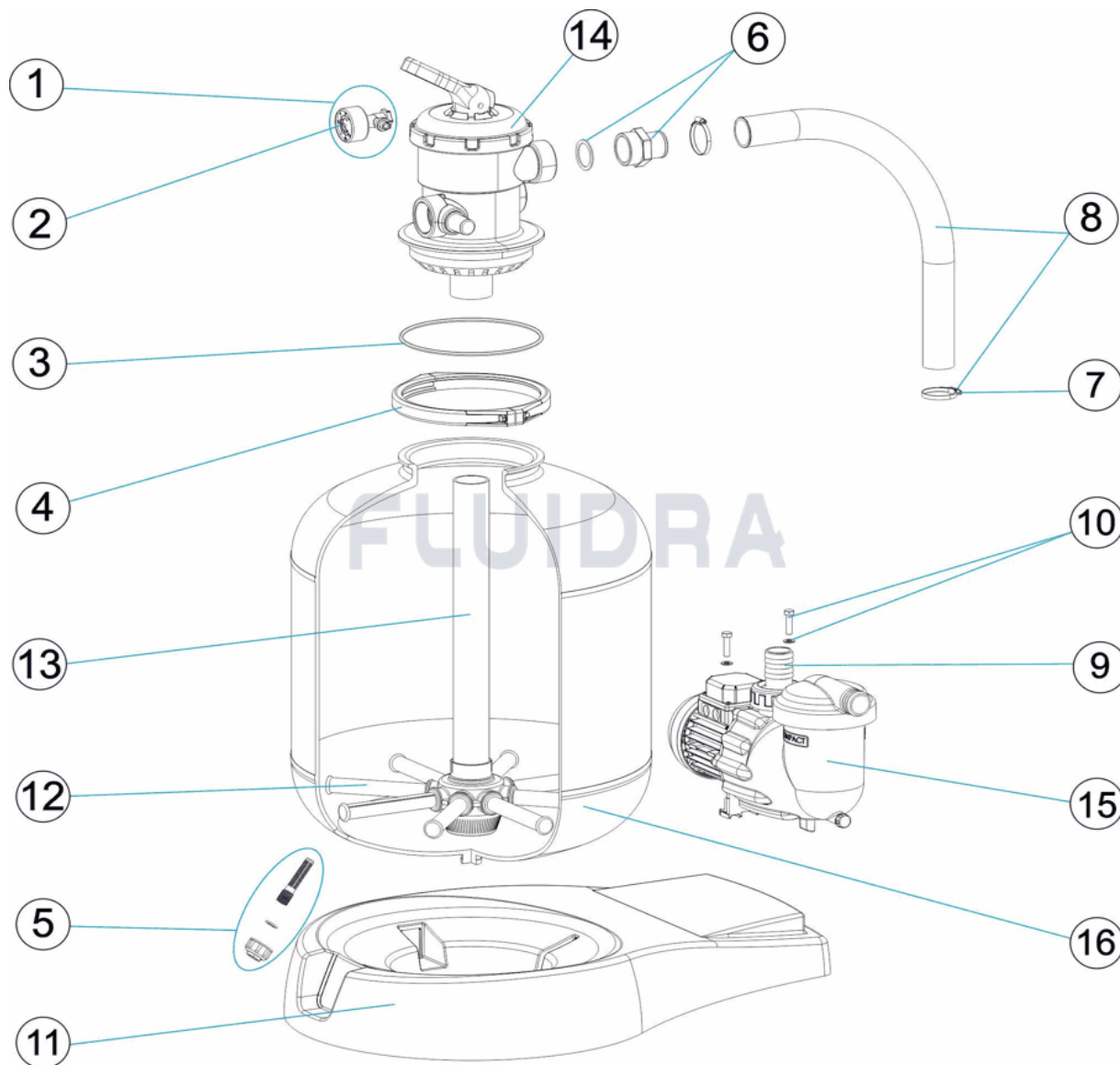
591

DATA: 06/10/2021

FOLHA: 6/6

CODIGO 33729MN45-2, M00245, M00246MP171

DESCRIÇÃO: MONOBLOCO D. 500



PORTUGUES

POS	CODIGO	DESCRIÇÃO	JANTIDADE	POS	CODIGO	DESCRIÇÃO	JANTIDADE
1	4404180404	MANÓMETRO COMPLETO		9	4404250015	CONJUNTO UNIÃO LIGAÇÃO	
2	4404180405	MANOMETRO 1/8" 3 KG./C "		10	4411020409	PARAFUSOS CORPO BOMBA	
3	4404080101A	JUNTA TÓRICA TAMPA		11	4404250016	BASE MONOBLOCO	
4	4411020402A	CONJUNTO ABRAÇADERA DE PLASTICO		12	4404300120	BRAÇO COLECTOR 3/4" 160M "	
5	4404220103	PURGA AREIA		13	4404250024	CJTO. COLECTOR D. 500 TOP	
6	4411020408	UNIÇÃO + JUNTA		14	4404120002	VALVULA SELECTORA TOP	
7	4411030503	ABRAÇADEIRA		15	25471EM09R1119	BOMBA COMPACT 0,6 CV.	
8	4404250014	MANGUEIRA LIGAÇÃO D. 38		16	154050001RTZ	CORPO FILTRO D. 500	