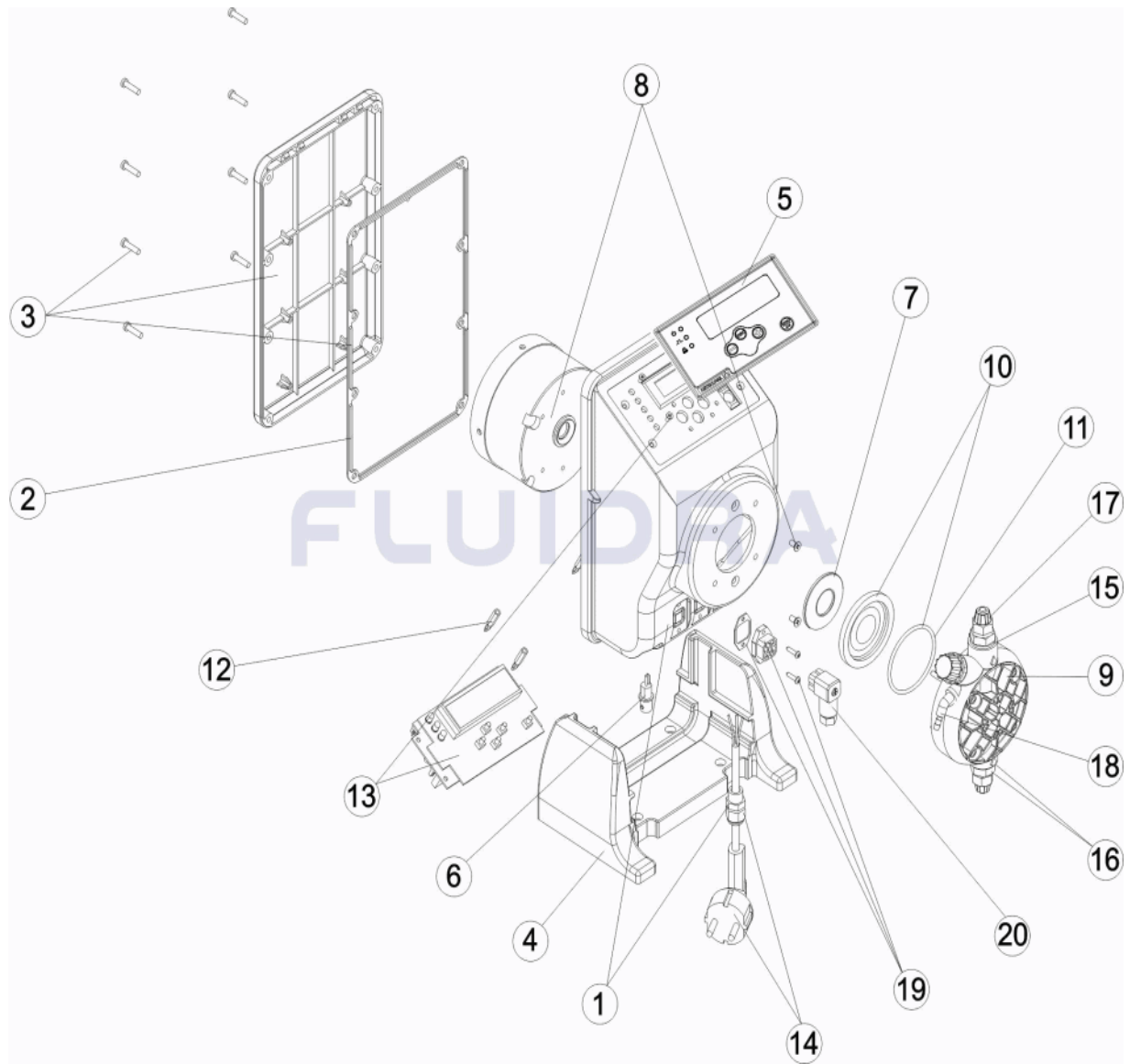


CODIGO **25368, 25369**

DESCRIPCION: **BOMBA DOSIFICADORA EXACTUS PH**



**ESPAÑOL**

POS	CODIGO	DESCRIPCION	CANTIDAD	POS	CODIGO	DESCRIPCION	CANTIDAD
1	4408031402	CAJA BOMBA PH RX		12	4408031204	DISTANCIADOR PANEL TACTIL 17M/M.	
2	4408031102	JUNTA CAJA BOMBA		13	4408032602	CIRCUITO ELECTRONICO PH/RX. 230/240V.	
3	4408031103	TAPA TRASERA BOMBA		14	4408031221	CABLE ALIMENTACION	
4	4408031104	SOPORTE BOMBA		15	4408030115	VALVULA DUTRAL + SOPORTE	
5	4408031403	PANEL TACTIL PH		15	4408030116	VALVULA VITON + SOPORTE	
6	4408031422	CONECTOR HEMBRA BCN.		15	4408030117	VALVULA SILICONA + SOPORTE	
7	* 4408031119	ARANDELA PISTON 2L 5KG - 2L 10KG - 5L 1		16	4408030112	CUERPO RACORD + DUTRAL	
7	* 4408031121	ARANDELA PISTON 10L 5KG		16	4408030113	CUERPO RACORD + VITON	
8	* 4408031114	ELECTROIMAN 5L 10KG		16	4408030114	CUERPO RACORD + SILICONA	
8	* 4408030517	ELECTROIMAN 10L 5KG		17	4408030126	TUERCA SUJECCION TUBO	
9	4408031205	CABEZAL COMPLETO		18	4408031203	RACOR PURGA CABEZAL	
10	4408030119	MEMBRANA COMPLETA		19	4408031405	CONECTOR MACHO	
11	4408030111	JUNTA TORICA CABEZAL		20	4408031729	CONECTOR DE NIVEL	

**CODIGO 25368, 25369**

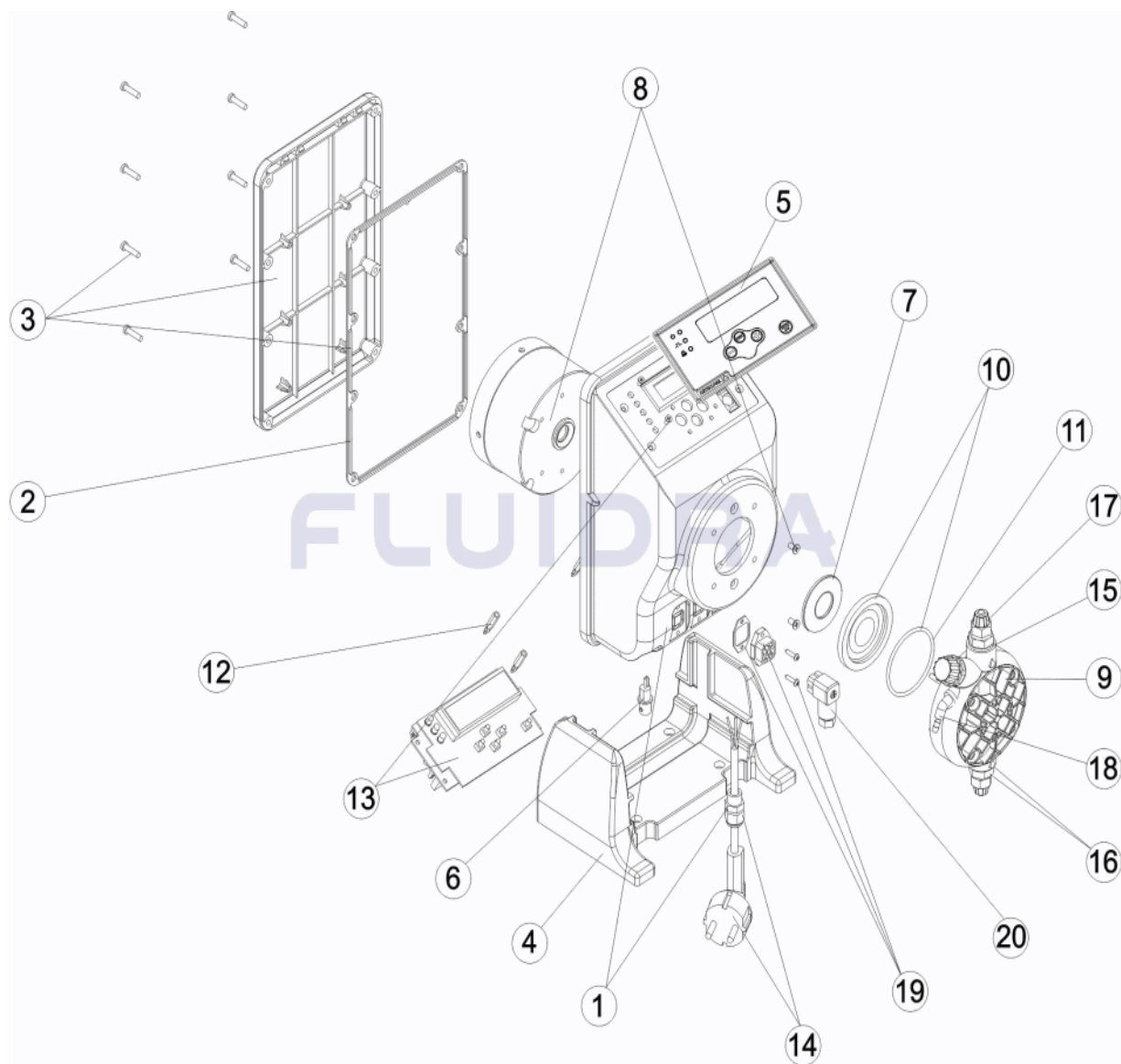
**DESCRIPCION: BOMBA DOSIFICADORA EXACTUS PH**

**OBSERVACIONES**

POS	CODIGO	OBSERVACIONES
7	* 4408031119	PARA: 25368
7	* 4408031121	PARA: 25369
8	* 4408031114	PARA: 25368
8	* 4408030517	PARA: 25369

CODE 25368, 25369

DESCRIPTION: POMPE DOSEUSE EXACTUS PH



FRANCAIS

POS	CODE	DESCRIPTION	QUANTITE	POS	CODE	DESCRIPTION	QUANTITE
1	4408031402	BOITIER DE POMPE PH RX		12	4408031204	DISTANCIATEUR PANEAU TACTILE	
2	4408031102	JOINT BOITIER DE POMPE		13	4408032602	CIRCUIT ELECTRONIQUE PH/RX. 2009	
3	4408031103	COUVERCLE POMPE		14	4408031221	CABLE ALIMENTATION	
4	4408031104	SUPPORT DE POMPE		15	4408030115	CLAPET DUTRAL + SUPPORT	
5	4408031403	TABEUAU DE CONTROLE TACTILE PH		15	4408030116	CLAPET VITON + SUPPORT	
6	4408031422	CONECTEUR		15	4408030117	CLAPET SILICONA + SUPPORT	
7	* 4408031119	RONDELLE PISTON 2L 5KG - 2L 10KG - 5L		16	4408030112	CORPS RACCORD + CLAPET DUTRAL	
7	* 4408031121	RONDELLE PISTON 10L 5KG		16	4408030113	CORPS RACCORD + CLAPET VITON	
8	* 4408031114	ELECTROAIMANT 5L 10KG		16	4408030114	CORPS RACCORD + CLAPET SILICONE	
8	* 4408030517	ELECTROAIMANT 10L 5KG		17	4408030126	ECROU DE TUBE D'ASPIRATION	
9	4408031205	TETE COMPLET		18	4408031203	RACCOR PURGE	
10	4408030119	MEMBRANE COMPLETE		19	4408031405	CONNECTEUR MÂLE	
11	4408030111	JOINT TORIQUE TETE		20	4408031729	CONECTEUR DE NIVEAU	

CODE **25368, 25369**

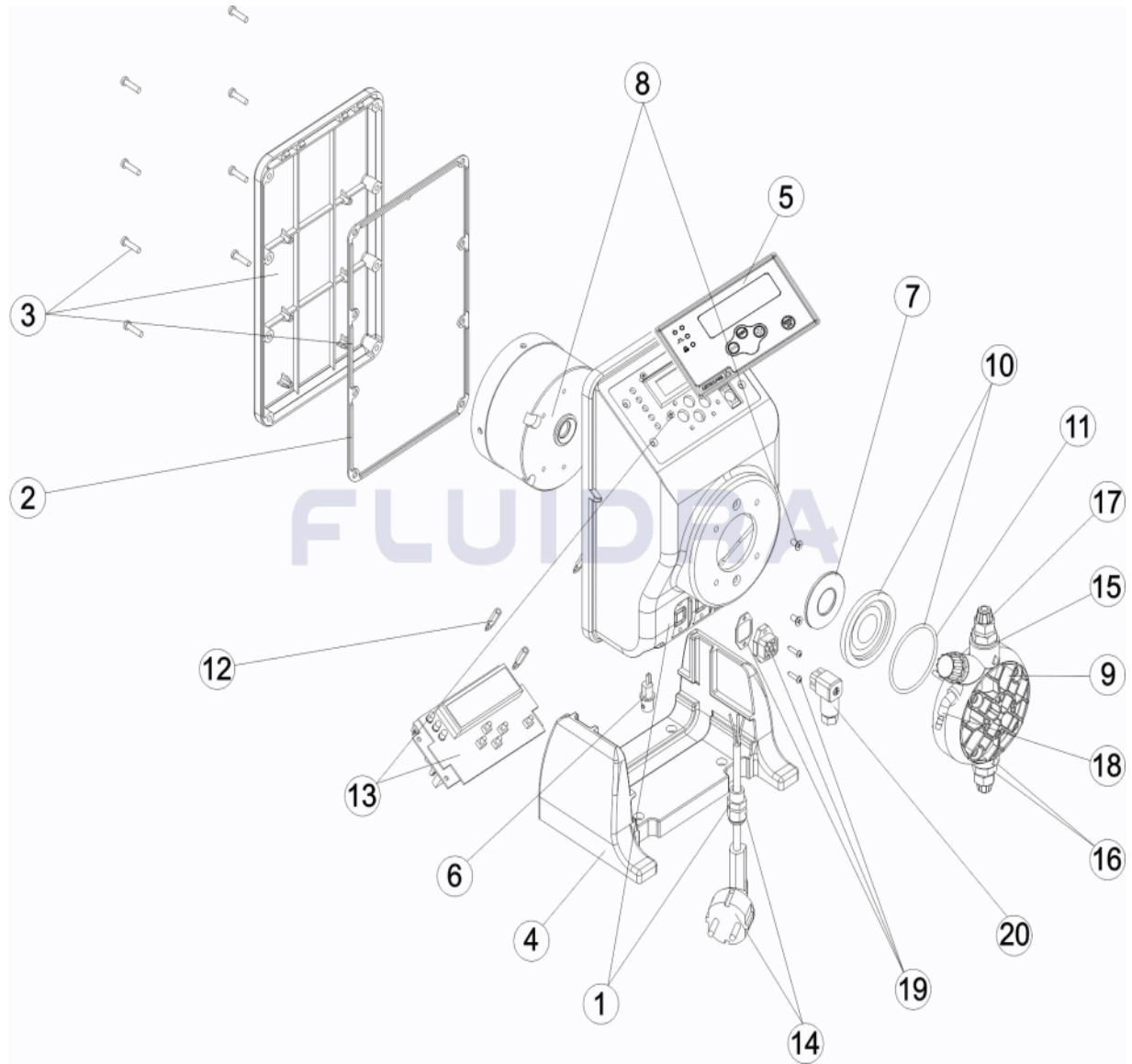
DESCRIPTION: **POMPE DOSEUSE EXACTUS PH**

**OBSERVATIONS**

POS	CODE	OBSERVATIONS
7	* 4408031119	POUR: 25368
7	* 4408031121	POUR: 25369
8	* 4408031114	POUR: 25368
8	* 4408030517	POUR: 25369

CODE **25368, 25369**

DESCRIPTION: **EXACTUS PH DOSING PUMP**



**ENGLISH**

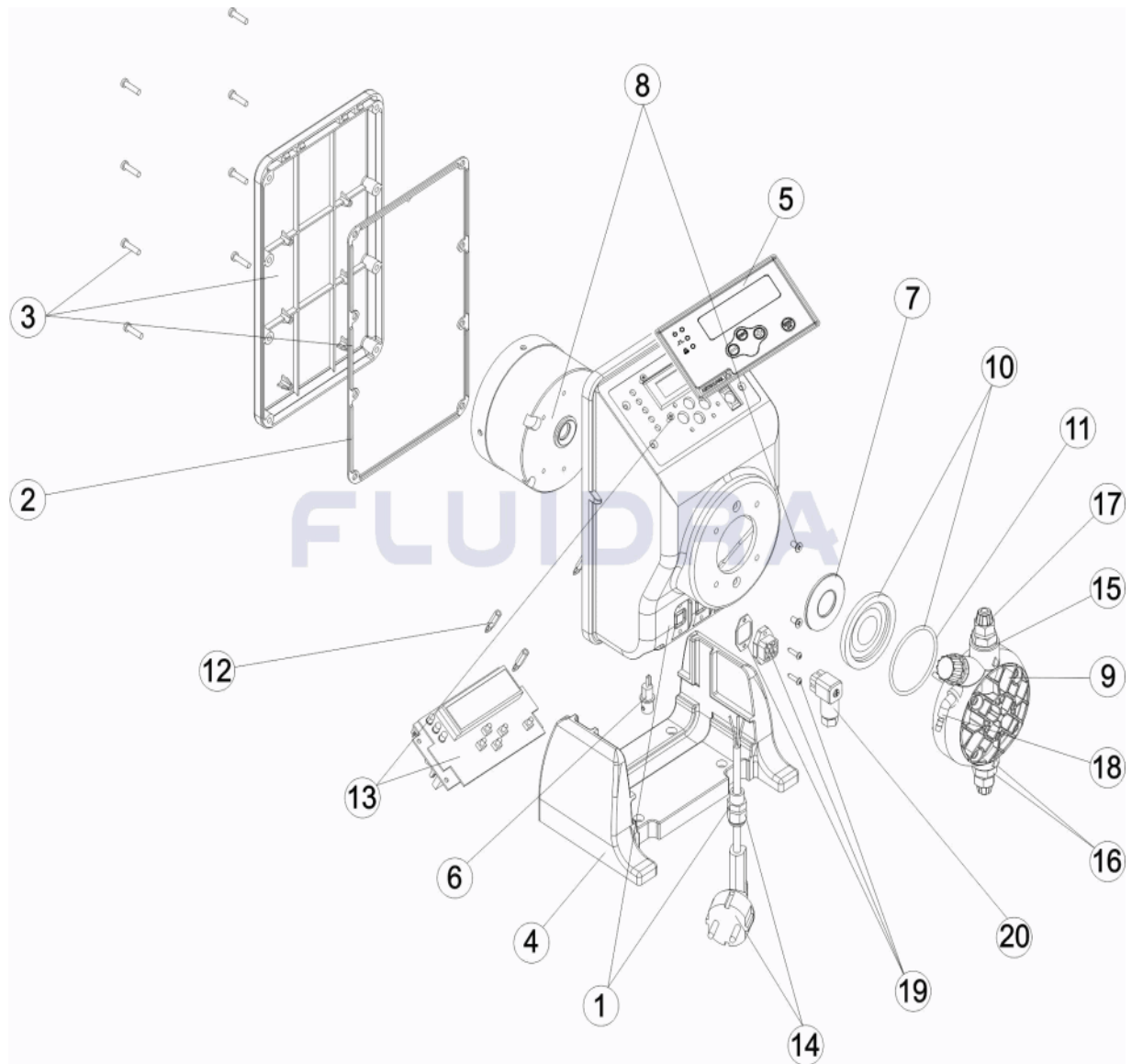
POS	CODE	DESCRIPTION	QUANTITY	POS	CODE	DESCRIPTION	QUANTITY
1	4408031402	PH RX PUMP BOX		12	4408031204	SUPPORT FOR ELECTRONIC CIRCUIT	
2	4408031102	PUMP BOX SEAL		13	4408032602	ELECTRONIC CIRCUIT PH/RX 2009	
3	4408031103	PUMP REAR COVER		14	4408031221	SUPPLY CABLE	
4	4408031104	PUMP SUPPORT		15	4408030115	DUTRAL VALVE + SUPPORT	
5	4408031403	TOUCH SCREEN PANEL PH/RX		15	4408030116	VITON VALVE + SUPPORT	
6	4408031422	CONNECTOR		15	4408030117	SILICON VALVE + SUPPORT	
7	* 4408031119	PISTON WASHER 2L 5KG - 2L 10KG - 5L 10l		16	4408030112	HEAD CONNECTOR BODY + DUTRAL	
7	* 4408031121	PISTON WASHER 10L 5KG		16	4408030113	HEAD CONNECTOR BODY + VITON	
8	* 4408031114	ELECTROMAGNET 5L 10KG		16	4408030114	HEAD CONNECTOR BODY + SILICON	
8	* 4408030517	ELECTROMAGNET 10L 5KG		17	4408030126	SUCTION TUBE NUT	
9	4408031205	COMPLETE HEAD ASSEMBLY		18	4408031203	PURGE FITTING	
10	4408030119	DIAPHRAM COMPLETE		19	4408031405	MALE CONNECTOR	
11	4408030111	HEAD O RING		20	4408031729	FEMALE CONNECTOR BCN	

CODE **25368, 25369**DESCRIPTION: **EXACTUS PH DOSING PUMP****OBSERVATIONS**

POS	CODE	OBSERVATIONS
7	* 4408031119	FOR: 25368
7	* 4408031121	FOR: 25369
8	* 4408031114	FOR: 25368
8	* 4408030517	FOR: 25369

CODICE **25368, 25369**

DESCRIZIONE: **POMPA DOSIFICATRICE EXACTUS PH**



**ITALIANO**

POS	CODICE	DESCRIZIONE	QUANTITA'	POS	CODICE	DESCRIZIONE	QUANTITA'
1	4408031402	CASSA POMPA PH RX		12	4408031204	DISTANZIALE PANNELLO COMANDI 17 M/M	
2	4408031102	GUARNIZIONE CASSA POMPA		13	4408032602	CIRCUITO ELETTRONICO PH/RX. 2009	
3	4408031103	COPRIVENTOLA POMPA		14	4408031221	CAVO DI ALIMENTAZIONE	
4	4408031104	SUPPORTO POMPA		15	4408030115	VALVOLA DUTRAL + SUPPORTO	
5	4408031403	PANNELLO DIGITALE PH		15	4408030116	VALVOLA + SUPPORTO	
6	4408031422	CONNECTOR		15	4408030117	VALVOLA SILICONE + SUPPORTO	
7	* 4408031119	RONDELLA PISTONE 2L 5KG - 2L 10KG - 5L		16	4408030112	CORPO RACCORDO + VALVOLA IN DUTRAL	
7	* 4408031121	RONDELLA PISTONE 10L 5KG		16	4408030113	CORPO RACCORDO + VALVOLA IN VITON	
8	* 4408031114	ELETTROCALAMITA 5L 10KG		16	4408030114	CORPO RACCORDO + VALVOLA IN SILICON	
8	* 4408030517	ELETTROCALAMITA 10L 5KG		17	4408030126	GHIERA FISSAGGIO TUBO	
9	4408031205	TESTA COMPLETA		18	4408031203	RACORDO SCARIO	
10	4408030119	MEMBRANA COMPLETA		19	4408031405	CONNETTORE MASCHIO	
11	4408030111	O-RING PER TESTA		20	4408031729	CONNETTORE DI LIVELLO	

**\* SI FACCIA RIFERIMENTO AL FOGLIO DELLE OSSERVAZIONI**

**CODICE 25368, 25369**

**DESCRIZIONE: POMPA DOSIFICATRICE EXACTUS PH**

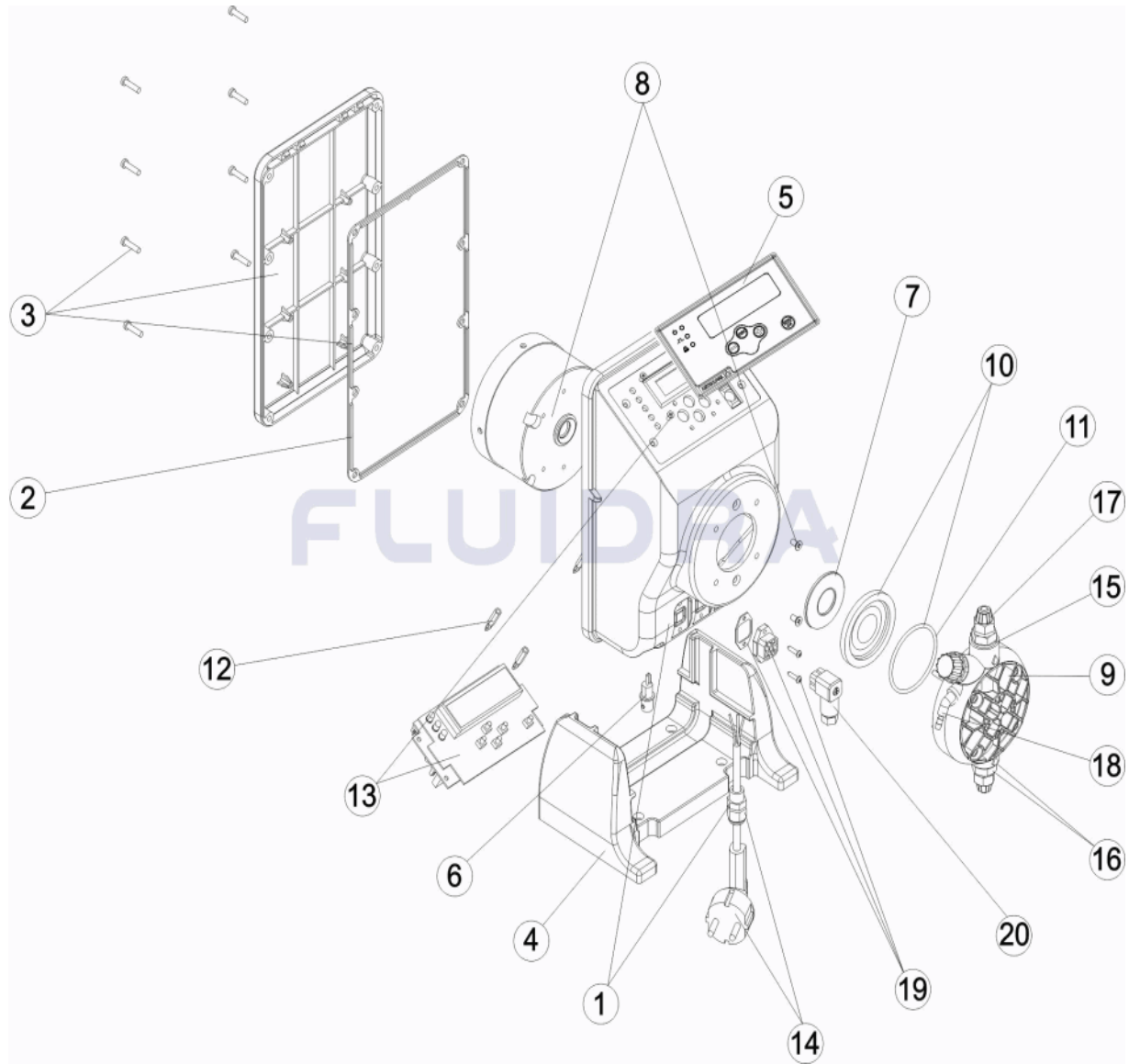
**OSSERVAZIONI**

POS	CODICE	OSSERVAZIONI
7	* 4408031119	PER: 25368
7	* 4408031121	PER: 25369
8	* 4408031114	PER: 25368
8	* 4408030517	PER: 25369



CODE **25368, 25369**

BESCHREIBUNG: **DOSIERPUMPE EXACTUS PH**



**DEUTSCH**

POS	CODE	BESCHREIBUNG	MENGE	POS	CODE	BESCHREIBUNG	MENGE
1	4408031402	PUMPENGEHÄUSE PH RX		12	4408031204	DISTANZSTÜCK TOUCHSCREEN 17 MM	
2	4408031102	DICHTUNG PUMPENGEHÄUSE		13	4408032602	PLATINE SCHALTKEIS PH/RX. 230/240 V	
3	4408031103	ABDECKUNG HINTEN PUMPE		14	4408031221	VERSORUNGSKABEL	
4	4408031104	HALTERUNG PUMPE		15	4408030115	VENTIL DUTRAL MIT HALTERUNG	
5	4408031403	TOUCHSCREEN PH		15	4408030116	VENTIL VITON MIT HALTERUNG	
6	4408031422	ANSCHLUSSMUFFE BCN.		15	4408030117	VENTIL SILIKON MIT HALTERUNG	
7	* 4408031119	KOLBENSCHIBE 2 L 5 KG - 2 L 10 KG - 5 L		16	4408030112	VENTILSATZ MIT DUTRAL	
7	* 4408031121	KOLBENSCHIBE 10 L 5 KG		16	4408030113	VENTILSATZ MIT VITON	
8	* 4408031114	ELEKTROMAGNET 5 L 10 KG		16	4408030114	VENTILSATZ MIT SILIKON	
8	* 4408030517	ELEKTROMAGNET 10 L 5 KG		17	4408030126	MUTTER BEFESTIGUNG ROHR	
9	4408031205	KOPFSTÜCK KOMPLETT		18	4408031203	GEWINDE ABLASS KOPFSTÜCK	
10	4408030119	KOMPLETTMEMBERAN		19	4408031405	STECKER	
11	4408030111	O-RING KOPFSTÜCK		20	4408031729	VERBINDUNGSSTÜCK FÜLLSTAND	

\* SIEHE ANMERKUNGSBLATT

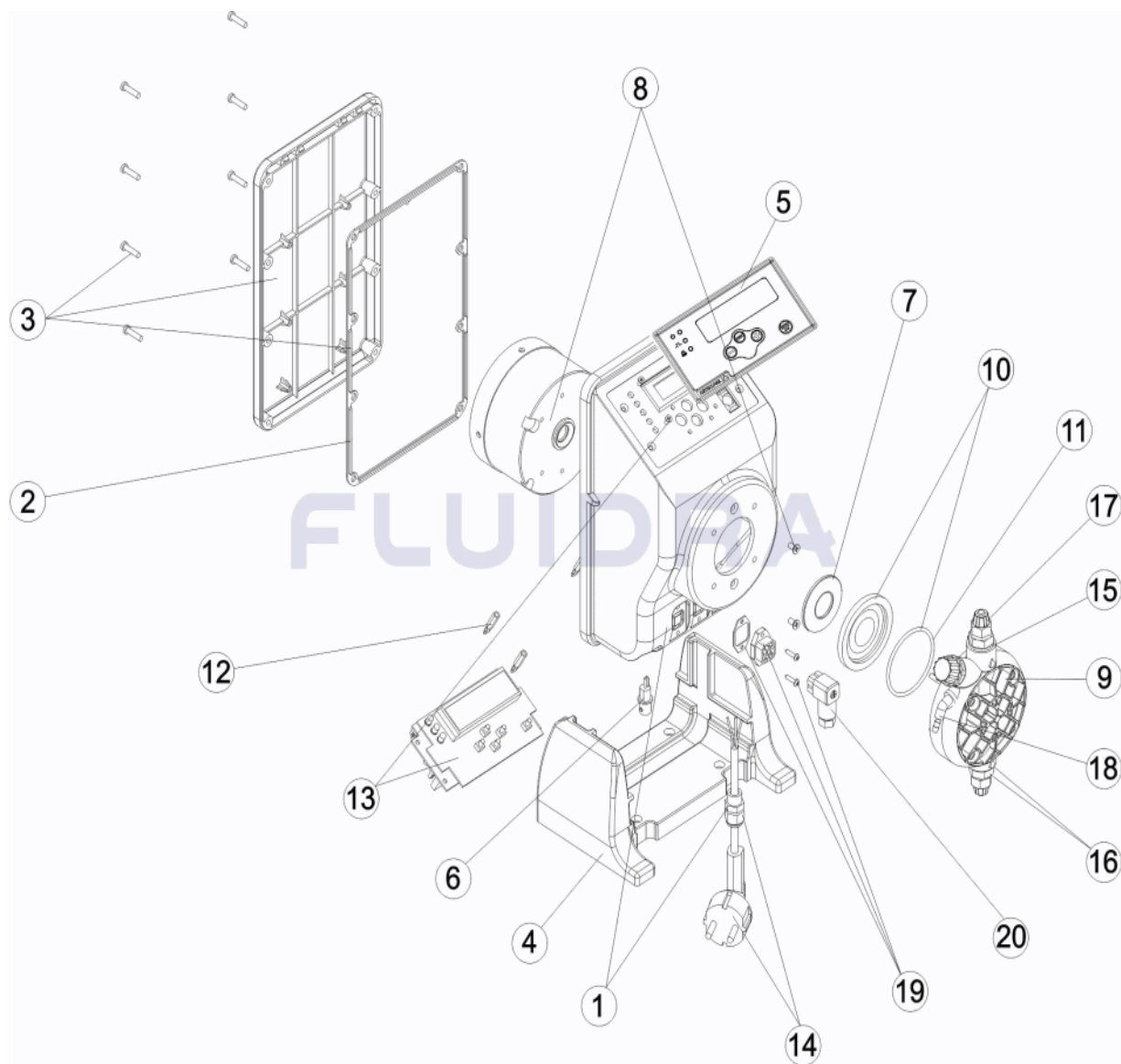
CODE **25368, 25369**

BESCHREIBUNG: **DOSIERPUMPE EXACTUS PH**

**HINWEISE**

POS	CODE	HINWEISE
7	* 4408031119	FÜR: 25368
7	* 4408031121	FÜR: 25369
8	* 4408031114	FÜR: 25368
8	* 4408030517	FÜR: 25369

CODIGO **25368, 25369**

 DESCRIÇÃO: **BOMBA DOSEADORA EXACTUS PH**

**PORTUGUES**

POS	CODIGO	DESCRIÇÃO	JANTIDADE	POS	CODIGO	DESCRIÇÃO	JANTIDADE
1	4408031402	CAIXA BOMBA PH RX		12	4408031204	DISTANCIADOR DE PAINEL TACTIL 17 M/M.	
2	4408031102	JUNTA CAIXA BOMBA		13	4408032602	CIRCUITO ELECTRONICO PH/RX. 2009	
3	4408031103	TAMPA TRASEIRA BOMBA		14	4408031221	CABO ALIMENTAÇÃO	
4	4408031104	SUPORTE BOMBA		15	4408030115	VÁLVULA DUTRAL + SUPORTE	
5	4408031403	PAINEL DIGITAL TÁCTIL PH		15	4408030116	VÁLVULA VITON + SUPORTE	
6	4408031422	LIGAÇÃO FÊMEA BCN.		15	4408030117	VÁLVULA SILICONE + SUPORTE	
7	* 4408031119	ANILHA PISTON 2L 5KG - 2L 10KG - 5L 10K		16	4408030112	CORPO RACORD + DUTRAL	
7	* 4408031121	ANILHA PISTON 10L 5KG		16	4408030113	CORPO RACORD + VITON	
8	* 4408031114	ELECTROI MAN 5L 10KG		16	4408030114	CORPO RACORD + SILICONE	
8	* 4408030517	ELECTROI MAN 10L 5KG		17	4408030126	PORCA SUJEIÇÃO TUBO	
9	4408031205	CABEÇAL COMPLETO		18	4408031203	RACCORD PURGA	
10	4408030119	MEMBRANA COMPLETA		19	4408031405	LIGAÇÃO MACHO	
11	4408030111	JUNTA TORICA CABEÇAL		20	4408031729	LIGAÇÃO NIVEL	

\* VEJA A FICHA DE OBSERVAÇÕES

**CODIGO 25368, 25369**

**DESCRIÇÃO: BOMBA DOSEADORA EXACTUS PH**

**OBSERVACÕES**

POS	CODIGO	OBSERVACÕES
7	* 4408031119	PARA: 25368
7	* 4408031121	PARA: 25369
8	* 4408031114	PARA: 25368
8	* 4408030517	PARA: 25369