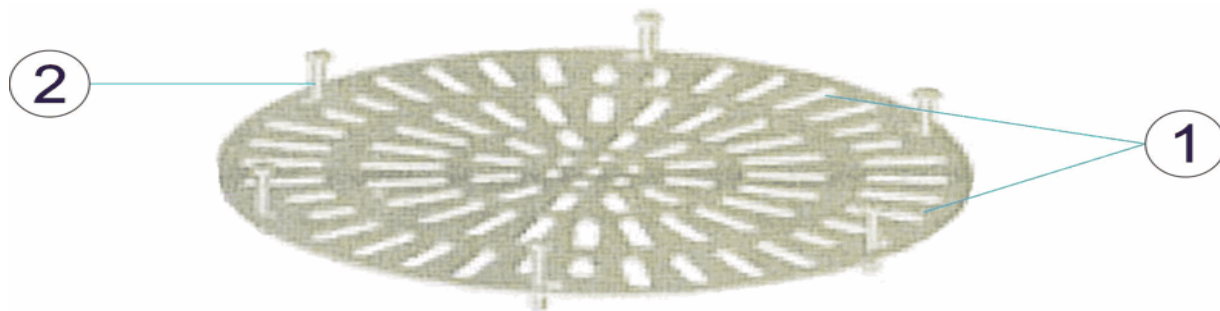
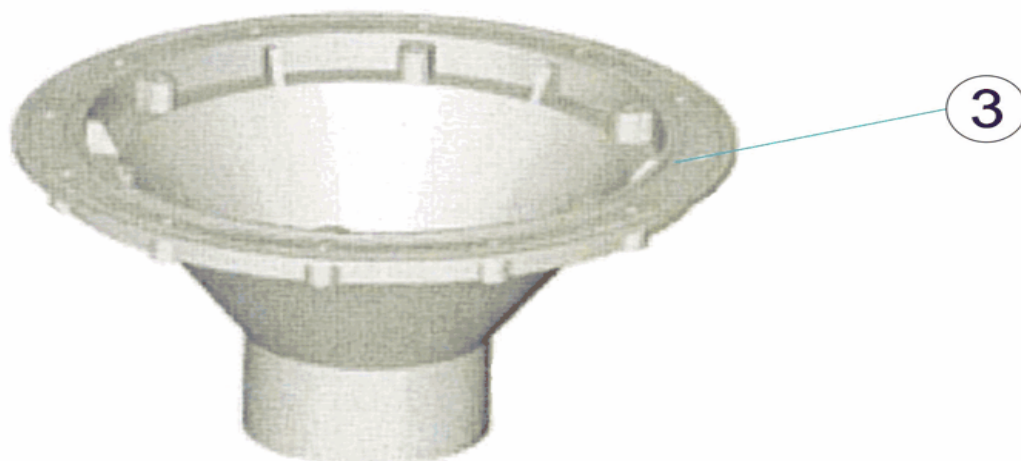


CODIGO 08317, 11796

DESCRIPCION: BOQUILLA DE FONDO 3" REGULABL "



FLUIDRA



**ESPAÑOL**

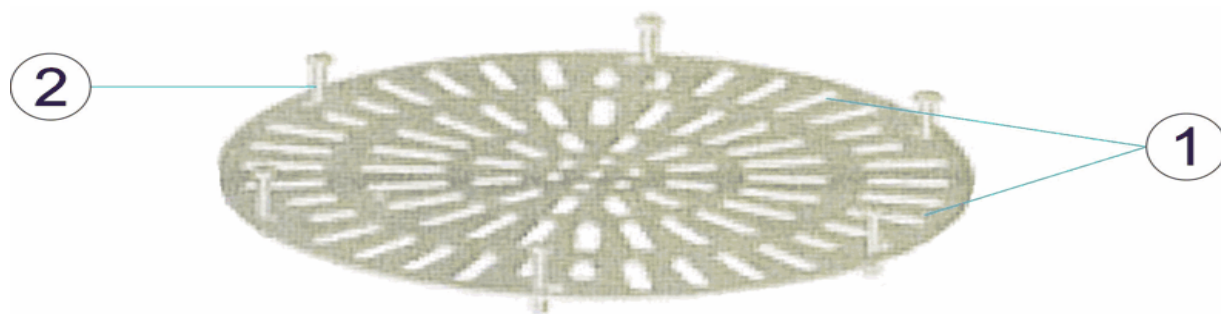
POS	CODIGO	DESCRIPCION	CANTIDAD	POS	CODIGO	DESCRIPCION	CANTIDAD
1	* 4402042601	REJA BOQUILLA INOX. 3' HORM.		2	4402042602	TORNILLERIA REJA INOX. 3' HORM.	
1	* 4402042603	REJA BOQUILLA PLASTICO 3'		3	11796R0005	BASE BOQUILLA 3"	

CODIGO **08317, 11796**DESCRIPCION: **BOQUILLA DE FONDO 3" REGULABL "****OBSERVACIONES**

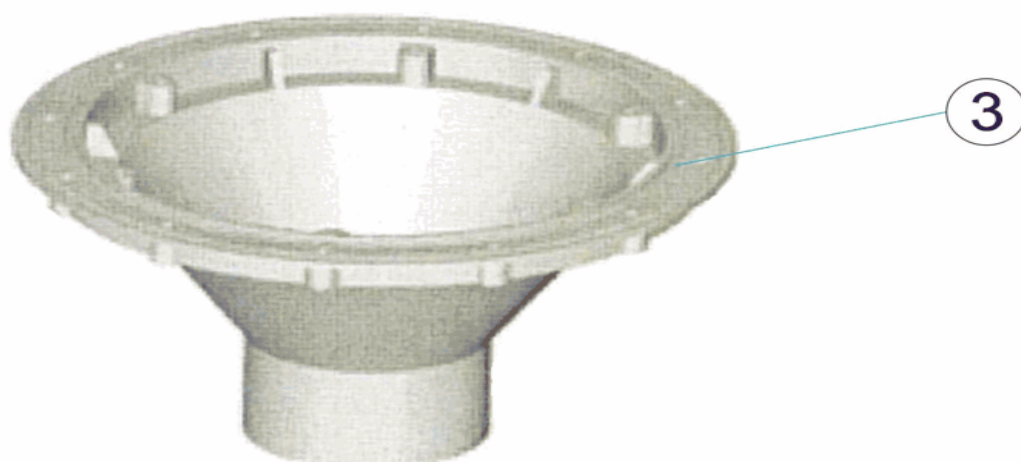
POS	CODIGO	OBSERVACIONES
1	* 4402042601	PARA: 08317
1	* 4402042603	PARA: 11796

CODE 08317, 11796

DESCRIPTION: BUSE DE FOND 3" RÉGLABL "



FLUIDRA



**FRANCAIS**

POS	CODE	DESCRIPTION	QUANTITE	POS	CODE	DESCRIPTION	QUANTITE
1	* 4402042601	GRILLE BOUCHE 3**		2	4402042602	VIS DE GRILLE BOUCHE 3'	
1	* 4402042603	GRILLE BOUCHE 3'		3	11796R0005	CORPS DE LA BUSE 3"	

CODE **08317, 11796**

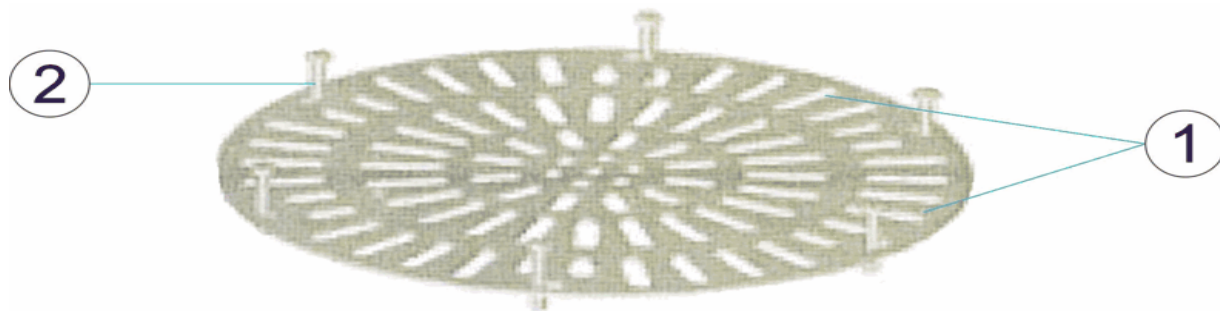
DESCRIPTION: **BUSE DE FOND 3" RÉGLABL "**

**OBSERVATIONS**

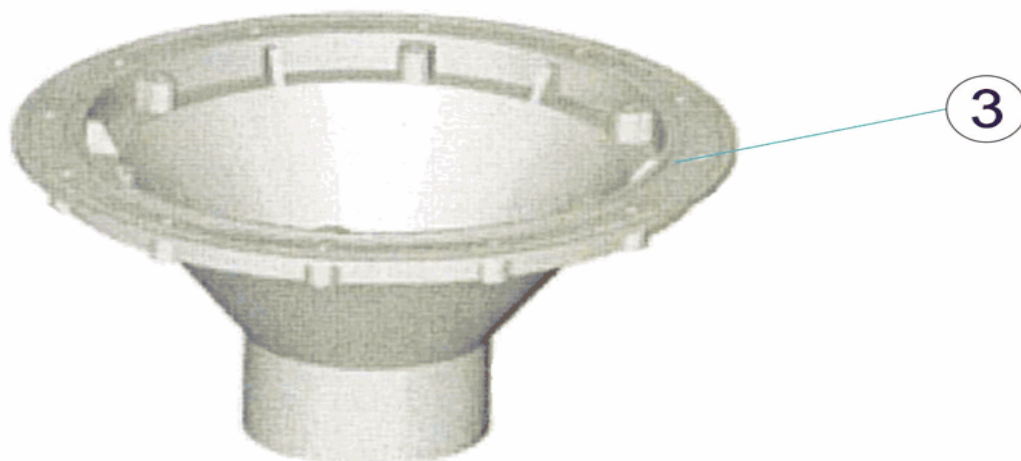
POS	CODE	OBSERVATIONS
1	* 4402042601	POUR: 08317
1	* 4402042603	POUR: 11796

CODE 08317, 11796

DESCRIPTION: ADJUSTABLE 3" BOTTOM NOZZL "



FLUIDRA



**ENGLISH**

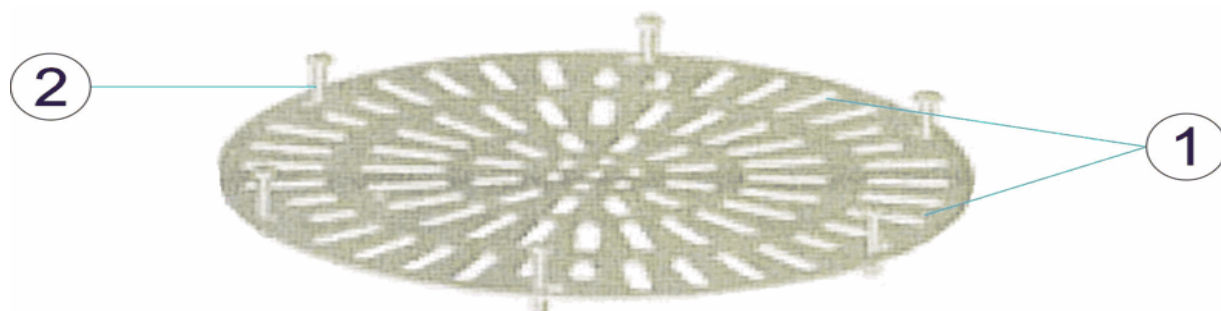
POS	CODE	DESCRIPTION	QUANTITY	POS	CODE	DESCRIPTION	QUANTITY
1	* 4402042601	S.S INLET GRILLE 3" FOR CONCRETE POC		2	4402042602	S.S. GRILLE SCREWS 3" FOR CONCRETE I	
1	* 4402042603	3' PLASTIC INLET GRILLE		3	11796R0005	INLET BASE 3"	

CODE                    **08317, 11796**DESCRIPTION: **ADJUSTABLE 3" BOTTOM NOZZL "****OBSERVATIONS**

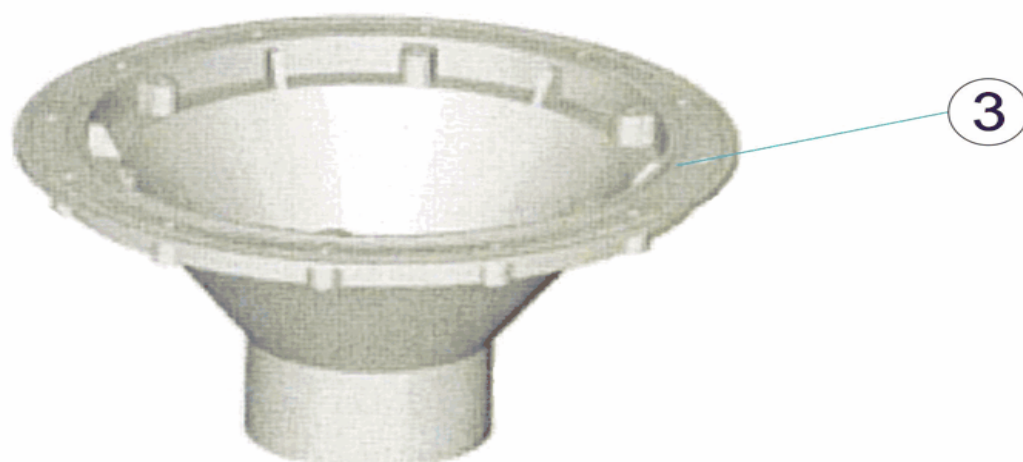
POS	CODE	OBSERVATIONS
1	* 4402042601	FOR: 08317
1	* 4402042603	FOR: 11796

CODICE **08317, 11796**

DESCRIZIONE: **BOCCHETTA DA FONDO 3" REGOLABIL "**



**FLUIDRA**



**ITALIANO**

POS	CODICE	DESCRIZIONE	QUANTITA'	POS	CODICE	DESCRIZIONE	QUANTITA'
1	* 4402042601	GRIGLIA BOCCHETTA INOX 3' C.A.		2	4402042602	KIT VITI GRIGLIA INOX 3" C.A "	
1	* 4402042603	GRIGLIA BOCCHETTA PLASTICA 3'		3	11796R0005	BASE BOCCHETTA 3"	

**CODICE 08317, 11796**

**DESCRIZIONE: BOCCHETTA DA FONDO 3" REGOLABIL "**

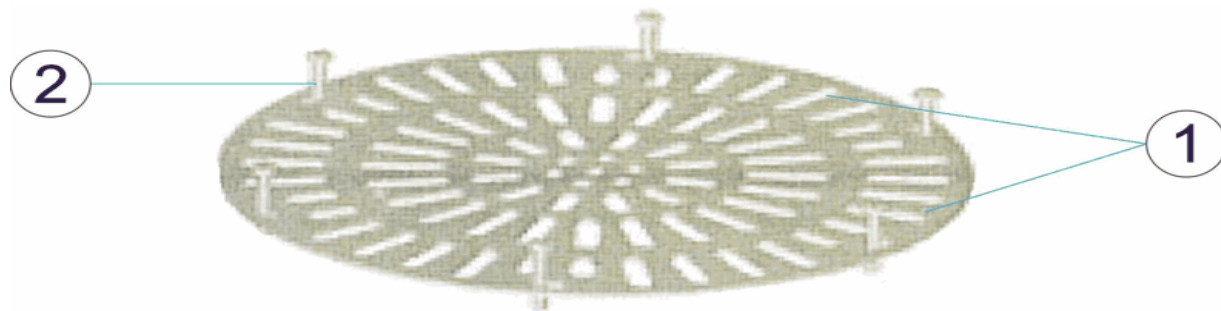
**OSSERVAZIONI**

POS	CODICE	OSSERVAZIONI
1	* 4402042601	PER: 08317
1	* 4402042603	PER: 11796

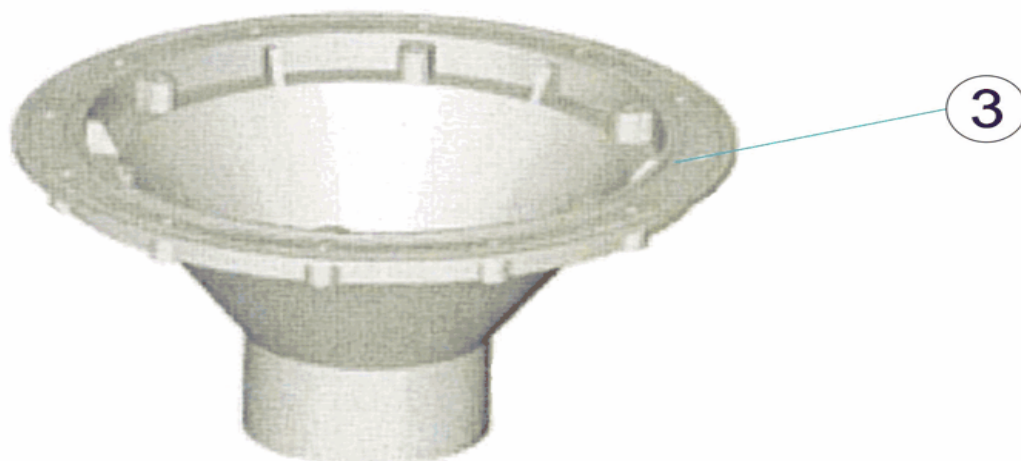


CODE 08317, 11796

BESCHREIBUNG: BODENDÜSE 3" REGULIERBA "



FLUIDRA



**DEUTSCH**

POS	CODE	BESCHREIBUNG	MENGE	POS	CODE	BESCHREIBUNG	MENGE
1	* 4402042601	GITTER DÜSE EDELSTAHL 3' BETON		2	4402042602	SCHRAUBENSATZ GITTER EDELSTAHL 3' B	
1	* 4402042603	GITTER DÜSE KUNSTSTOFF 3'		3	11796R0005	DÜSENBASIS 3"	

CODE **08317, 11796**

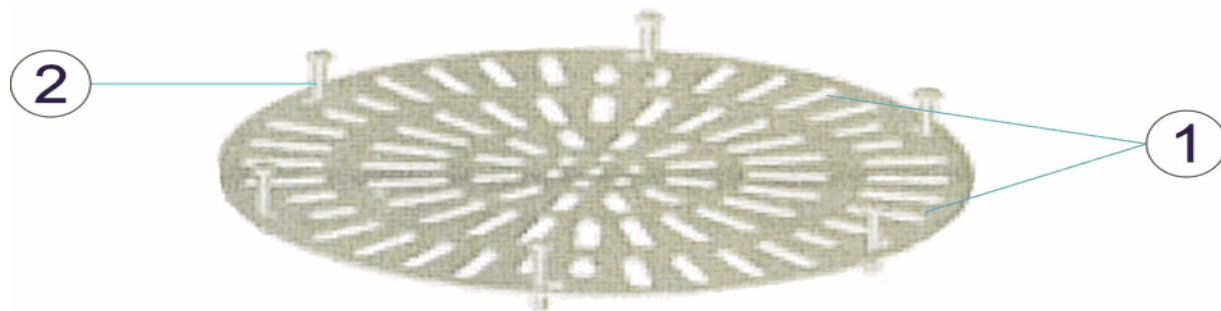
BESCHREIBUNG: **BODENDÜSE 3" REGULIERBA "**

**HINWEISE**

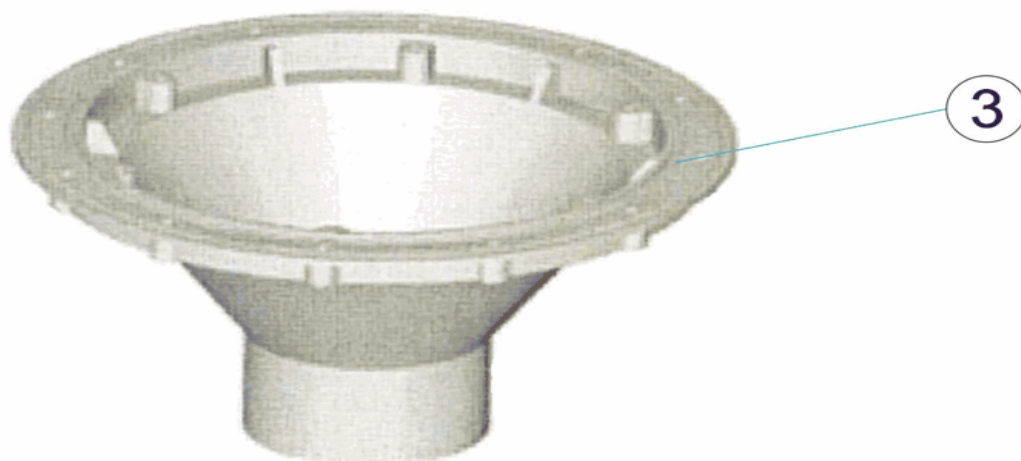
POS	CODE	HINWEISE
1	* 4402042601	FÜR: 08317
1	* 4402042603	FÜR: 11796

CODIGO 08317, 11796

DESCRIÇÃO: BOQUILHA DE FUNDO 3" REGULÁVE "



FLUIDRA



**PORTUGUES**

POS	CODIGO	DESCRIÇÃO	JANTIDADE	POS	CODIGO	DESCRIÇÃO	JANTIDADE
1	* 4402042601	GRELHA BOCA INOX. 3" BETÃO		2	4402042602	CONJ. PARAFUSOS GRELHA INOX. 3" BET	
1	* 4402042603	GRELHA BOCA PLÁSTICO 3"		3	11796R0005	BASE BOCA 3"	

**CODIGO 08317, 11796**

**DESCRIÇÃO: BOQUILHA DE FUNDO 3" REGULÁVE "**

**OBSERVACÕES**

POS	CODIGO	OBSERVACÕES
1	* 4402042601	PARA: 08317
1	* 4402042603	PARA: 11796