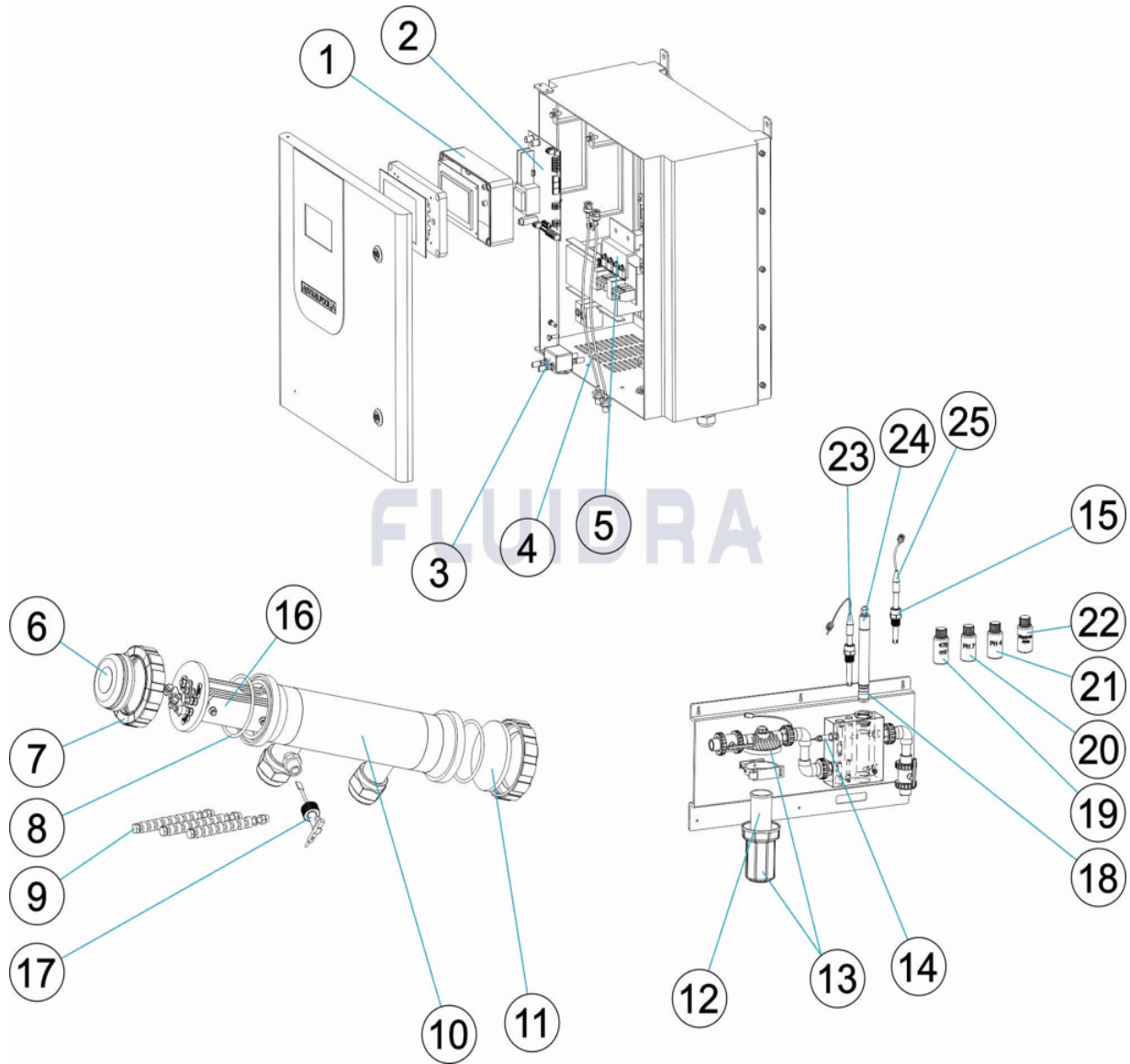


CODIGO 35252, 35258, 45836

DESCRIPCION: ELECTROLISIS DE SAL Y CONTROL PH A-40/50 EX/PLUS



ESPAÑOL

POS	CODIGO	DESCRIPCION	CANTIDAD	POS	CODIGO	DESCRIPCION	CANTIDAD
1	* 4408040148	TARGETA VISUALIZADORA TACTIL DV1 EX		11	4408041409	DISCO METACRILATO D.134/10 MM.	
1	* 4408040149	TARGETA VISUALIZADORA TACTIL DV1 EX:		12	* 4408041537	FILTRO PORTASONDAS LAVABLE	
1	* 4408040455	TARGETA VISUALIZADORA TACTIL EX V2		13	* 4408041538	PORTASONDAS E/S 1/2"	
1	* 4408040456	TARGETA VISUALIZADORA TACTIL PH PPM		14	* 4408041541	SENSOR INDUCTIVO DE CAUDAL	
2	* 4408040080	PLACA CONTROL DV1-50 EX		15	* 4408040604	PORTAELECTRODOS PE 12M/M-1/2"	
2	* 4408040081	PLACA CONTROL DV1-50 EXT-1/2		16	60634	ELECTRODO AUTO-LIMPIANTE A-40/50	
3	4408041021	FILTRO 230V A-65/A-120 EX/PLUS		17	71124	FLUJOSTATO	
4	* 4408040088	LATIGUILLO BNC 0,7 EXTERNO		18	* 60647	CABEZAL MEMBRANA SENSOR CLORO LIB	
4	* 4408040089	LATIGUILLO BNC EXT-2 BNC A PVA 24V		19	* 60633	SOLUCION CALIBRACION 470MV.	
5	4408040087	TARJETA POTENCIA TIRISTORES DV1-50		20	* 60618	TAMPON PH 7,0 50 M/L. (VERDE)	
6	4408040509	PROTECTOR CONTACTOS		21	* 60632	TAMPON PH 4,0 50 ML. (ROJO)	
7	4408040508	TUERCA CIERRE CELULA		22	* 60646	ELECTROLITO ECC1/GEL SONDA CL	
8	4408040510	JUNTA VASO EPDM.		23	* 60648	ELECTRODO COMBINADO PH	

CODIGO 35252, 35258, 45836

DESCRIPCION: ELECTROLISIS DE SAL Y CONTROL PH A-40/50 EX/PLUS

9	4408041410	CJTO. TORNILLOS ANCLAJE ELECTRODO	24	* 60645	SENSOR CLORO LIBRE
10	4408041408	CELULA PORTA ELECTRODOS D-40/50EX/	25	* 60649	ELECTRODO ORP

CODIGO 35252, 35258, 45836

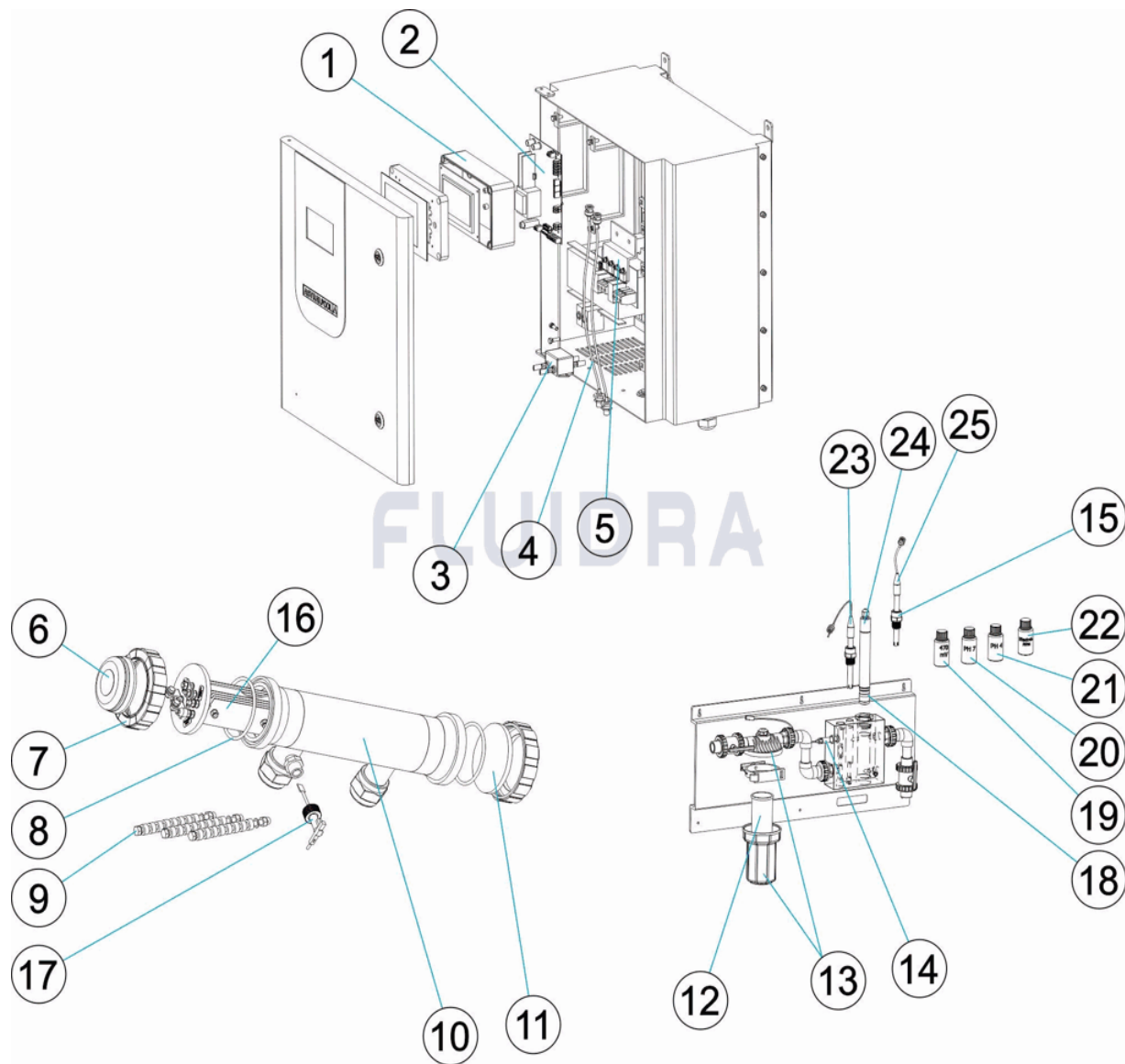
DESCRIPCION: ELECTROLISIS DE SAL Y CONTROL PH A-40/50 EX/PLUS

OBSERVACIONES

POS	CODIGO	OBSERVACIONES
1	* 4408040148	PARA: 35252, 35258 MODELO ANTERIOR / PREVIOUS MODEL
1	* 4408040149	PARA: 45836 MODELO ANTERIOR / PREVIOUS MODEL
1	* 4408040455	PARA: 35252, 35258 MODELO ACTUAL / CURRENT MODEL
1	* 4408040456	PARA: 45836 MODELO ACTUAL / CURRENT MODEL
2	* 4408040080	PARA: 35252
2	* 4408040081	PARA: 35258, 45836
4	* 4408040088	PARA: 35258, 45836
4	* 4408040089	PARA: 45836
12	* 4408041537	PARA: 45836
13	* 4408041538	PARA: 45836
14	* 4408041541	PARA: 45836
15	* 4408040604	PARA: 35258, 45836
18	* 60647	PARA: 45836
19	* 60633	PARA: 35258
20	* 60618	PARA: 35258, 45836
21	* 60632	PARA: 35258, 45836
22	* 60646	PARA: 45836
23	* 60648	PARA: 35258, 45836
24	* 60645	PARA: 45836
25	* 60649	PARA: 35258

CODE 35252, 35258, 45836

DESCRIPTION: ÉLECTROLYSE AU SEL ET CONTRÔLE PH A-40/50 EX/PLUS



FRANCAIS

POS	CODE	DESCRIPTION	QUANTITE	POS	CODE	DESCRIPTION	QUANTITE
1	* 4408040148	CARTE AFFICHEUR ÉLECTROLYSE DV1 E)		11	4408041409	DISQUE EN METACRYLATE D.134/10 MM.	
1	* 4408040149	CARTE AFFICHEUR ÉLECTROLYSE DV1 E)		12	* 4408041537	FILTRE PORTE-SONDES LAVABLE	
1	* 4408040455	CARTE AFFICHEUR ÉLECTROLYSE EX V2		13	* 4408041538	PORTE-SONDES E/S 1/2"	
1	* 4408040456	CARTE AFFICHEUR ÉLECTROLYSE PH PPI		14	* 4408041541	SONDE DE DÉBIT INDUCTIVE	
2	* 4408040080	PLAQUE CONTRÔLE DV1-50 EX		15	* 4408040604	PORTE-ÉLECTRODE PE 12M/M. 1/2"	
2	* 4408040081	PLAQUE CONTRÔLE DV1-50 EXT-1/2		16	60634	ELECTRODE AUTO-NETTOYANTE D-40/50 E	
3	4408041021	FILTRE 230V A-65/A-120 EX/PLUS		17	71124	CONTROLEUR DE DEBIT	
4	* 4408040088	CÂBLE BNC 0,7		18	* 60647	CAPSULE MEMBRANE POUR SONDE CHLC	
4	* 4408040089	CÂBLE BNC EXT-2 BNC A PVA 24V		19	* 60633	SOLUTION CALIBRAGE 470 MV	
5	4408040087	CARTE PUISSANCE DV1-50		20	* 60618	TAMPON PH 7,0 50 M/L. (VERT)	
6	4408040509	PROTECTEUR CONTACTS		21	* 60632	TAMPON PH 4,0 50 ML. (ROUGE)	
7	4408040508	ECRU FERMETURE CELLULE		22	* 60646	ELECTROLYTE	
8	4408040510	JOINT VASE EPDM		23	* 60648	ELECTRODE COMBINÉE PH	

* VOIR FICHE D'OBSERVATIONS

CODE **35252, 35258, 45836**

DESCRIPTION: **ÉLECTROLYSE AU SEL ET CONTRÔLE PH A-40/50 EX/PLUS**

9	4408041410	KIT DE VIS POUR FIXATION D'ÉLECTRODE	24	* 60645	SONDE DE CHLORE LIBRE
10	4408041408	CELLULE PORTE-ÉLECTRODE D-40/50 EX/	25	* 60649	ELECTRODE ORP

CODE **35252, 35258, 45836**

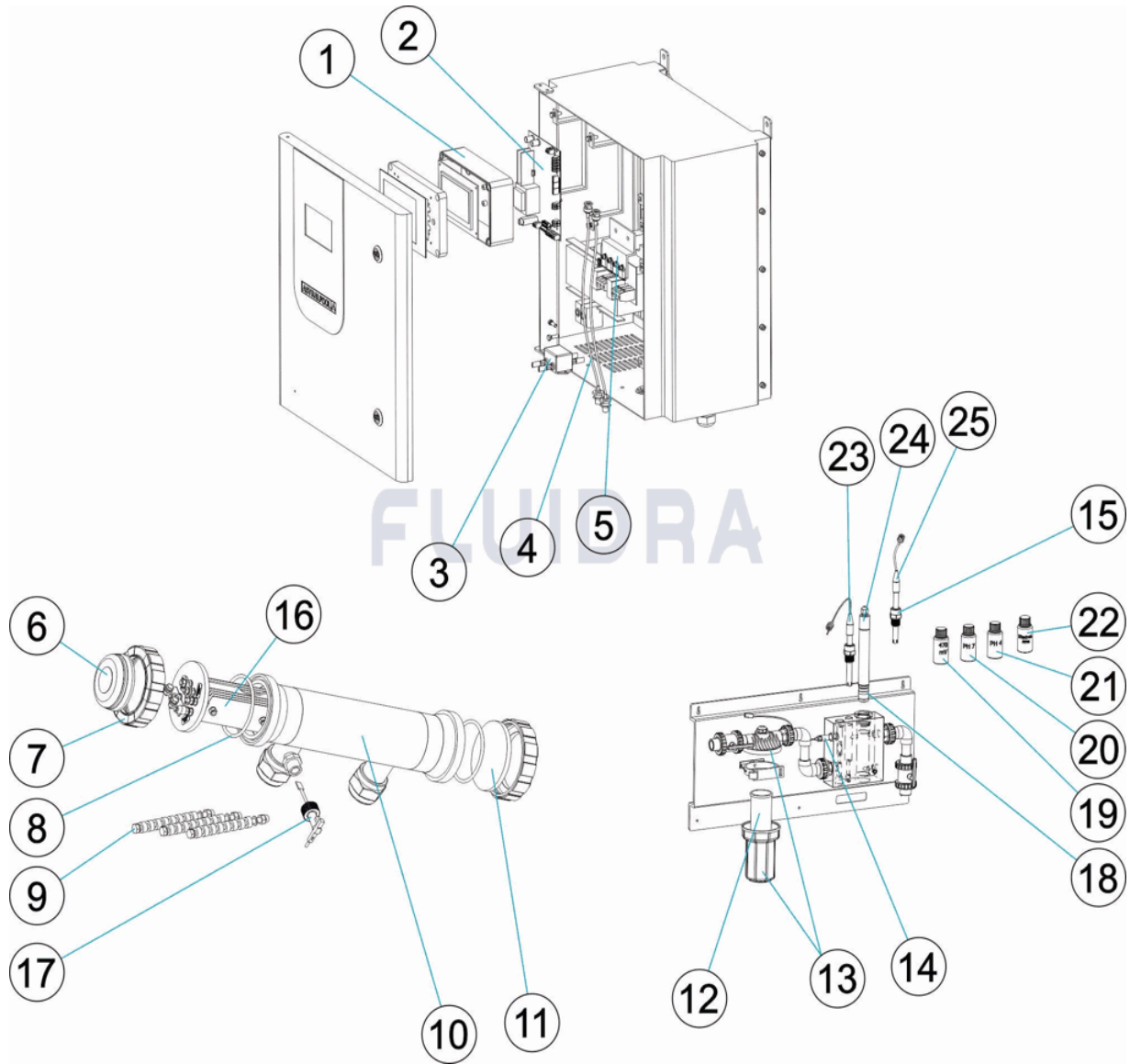
DESCRIPTION: **ÉLECTROLYSE AU SEL ET CONTRÔLE PH A-40/50 EX/PLUS**

OBSERVATIONS

POS	CODE	OBSERVATIONS
1	* 4408040148	POUR: 35252, 35258 MODELO ANTERIOR / PREVIOUS MODEL
1	* 4408040149	POUR: 45836 MODELO ANTERIOR / PREVIOUS MODEL
1	* 4408040455	POUR: 35252, 35258 MODELO ACTUAL / CURRENT MODEL
1	* 4408040456	POUR: 45836 MODELO ACTUAL / CURRENT MODEL
2	* 4408040080	POUR: 35252
2	* 4408040081	POUR: 35258, 45836
4	* 4408040088	POUR: 35258, 45836
4	* 4408040089	POUR: 45836
12	* 4408041537	POUR: 45836
13	* 4408041538	POUR: 45836
14	* 4408041541	POUR: 45836
15	* 4408040604	POUR: 35258, 45836
18	* 60647	POUR: 45836
19	* 60633	POUR: 35258
20	* 60618	POUR: 35258, 45836
21	* 60632	POUR: 35258, 45836
22	* 60646	POUR: 45836
23	* 60648	POUR: 35258, 45836
24	* 60645	POUR: 45836
25	* 60649	POUR: 35258

CODE **35252, 35258, 45836**

DESCRIPTION: **SALT ELECTROLYSIS AND PH CONTROL A-40/50 EX/PLUS**



ENGLISH

POS	CODE	DESCRIPTION	QUANTITY	POS	CODE	DESCRIPTION	QUANTITY
1	* 4408040148	DV1 EX ELECTROLYSIS VIEWER CARD		11	4408041409	METHACRYLATE DISK D.134/10 MM	
1	* 4408040149	DV1 EX2 ELECTROLYSIS VIEWER CARD		12	* 4408041537	WASHABLE MAXIM CELL FILTER	
1	* 4408040455	EX V2 ELECTROLYSIS VIEWER CARD		13	* 4408041538	MAXIM CELL E/S 1/2"	
1	* 4408040456	PH PPM V2 ELECTROLYSIS VIEWER CARD		14	* 4408041541	INDUCTIVE FLOW SENSOR	
2	* 4408040080	ELECTRONIC CARD DV1-50 EX		15	* 4408040604	ELECTRODE CARRIER PE 12M/M. -1/2"	
2	* 4408040081	ELECTRONIC CARD DV1-50 EXT-1/2		16	60634	SELF-CLEANING ELECTRODE D-40/50 EX/+	
3	4408041021	FILTER 230V A-65/A-120 EX/PLUS		17	71124	WATER FLOW SWITCH	
4	* 4408040088	BNC 0,7 EX CABLE		18	* 60647	MEMBRANE CAP FOR FREE CHLORINE SEI	
4	* 4408040089	EXT-2 BNC A PVA 24V CABLE		19	* 60633	CALIBRATION SOLUTION ORP 470 MV	
5	4408040087	POWER CARD DV1-50		20	* 60618	CALIBRATION SOLUTION PH 7,0 50 M/L. (GF	
6	4408040509	CONTAC PROTECTION		21	* 60632	CALIBRATION SOLUTION PH 4,0 50 ML. (RE	
7	4408040508	CLOSINGNUT FOR CELL		22	* 60646	ELECTROLITE	
8	4408040510	CELL EPDM GASKET		23	* 60648	ELECTRODE PH	

* SEE OBSERVATIONS SHEET

CODE **35252, 35258, 45836**

DESCRIPTION: **SALT ELECTROLYSIS AND PH CONTROL A-40/50 EX/PLUS**

9	4408041410	SCREW KIT FOR ELECTRODE FIXATION	24	* 60645	FREE CHLORINE SENSOR
10	4408041408	ELECTRODE CELL D-40/50 EX/+	25	* 60649	ORP ELECTRODE

CODE **35252, 35258, 45836**

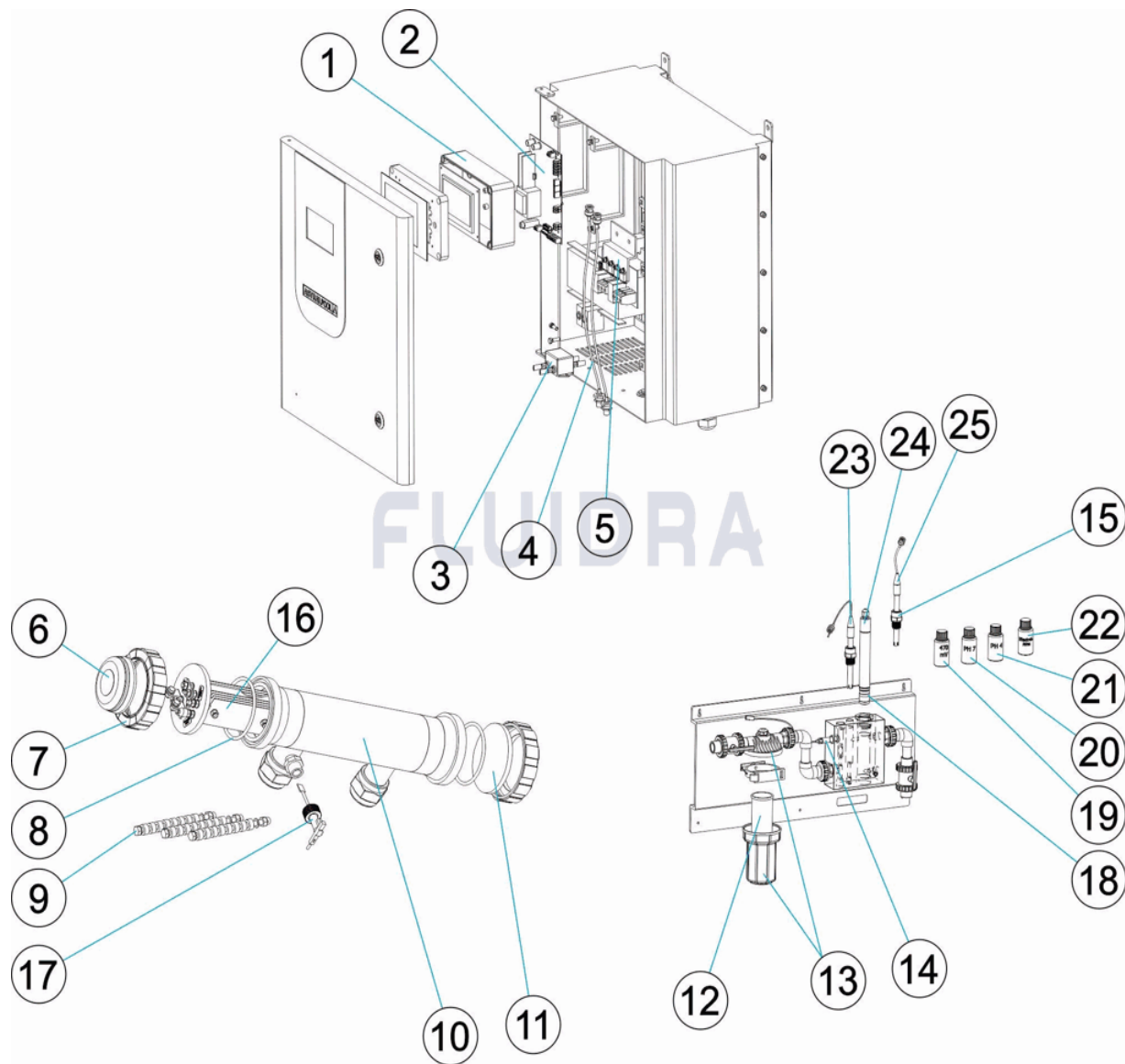
DESCRIPTION: **SALT ELECTROLYSIS AND PH CONTROL A-40/50 EX/PLUS**

OBSERVATIONS

POS	CODE	OBSERVATIONS
1	* 4408040148	FOR: 35252, 35258 MODELO ANTERIOR / PREVIOUS MODEL
1	* 4408040149	FOR: 45836 MODELO ANTERIOR / PREVIOUS MODEL
1	* 4408040455	FOR: 35252, 35258 MODELO ACTUAL / CURRENT MODEL
1	* 4408040456	FOR: 45836 MODELO ACTUAL / CURRENT MODEL
2	* 4408040080	FOR: 35252
2	* 4408040081	FOR: 35258, 45836
4	* 4408040088	FOR: 35258, 45836
4	* 4408040089	FOR: 45836
12	* 4408041537	FOR: 45836
13	* 4408041538	FOR: 45836
14	* 4408041541	FOR: 45836
15	* 4408040604	FOR: 35258, 45836
18	* 60647	FOR: 45836
19	* 60633	FOR: 35258
20	* 60618	FOR: 35258, 45836
21	* 60632	FOR: 35258, 45836
22	* 60646	FOR: 45836
23	* 60648	FOR: 35258, 45836
24	* 60645	FOR: 45836
25	* 60649	FOR: 35258

CODICE **35252, 35258, 45836**

DESCRIZIONE: **ELETTROLISI DA SALE E CONTROLLO PH A-40/50 EX/PLUS**



ITALIANO

POS	CODICE	DESCRIZIONE	QUANTITA'	POS	CODICE	DESCRIZIONE	QUANTITA'
1	* 4408040148	SCHEDA VISORE ELETTROLISI DV1 EX		11	4408041409	DISC METACRILATO D.134/10 MM	
1	* 4408040149	SCHEDA VISORE ELETTROLISI DV1 EX2		12	* 4408041537	FILTRO PORTA-SONDE LAVABILE	
1	* 4408040455	SCHEDA VISORE ELETTROLISI EX V2		13	* 4408041538	PORTA-SONDE E/S 1/2"	
1	* 4408040456	SCHEDA VISORE ELETTROLISI PH PPM V2		14	* 4408041541	SONDA DI FLUSSO INDUTTIVA	
2	* 4408040080	SCHEDA DV1-50 EX		15	* 4408040604	PORTAELETTODO PE 12M/M. X 1/2"	
2	* 4408040081	SCHEDA DV1-50 EXT-1/2		16	60634	ELETTRODO D-40/50 EX/+	
3	4408041021	FILTRE 230V A-65/A-120 EX/PLUS		17	71124	FLUSSOSTATO	
4	* 4408040088	CAVO BNC 0,7		18	* 60647	TAPPO MEMBRANA PER SONDA CLORO LI	
4	* 4408040089	CAVO BNC EXT-2 BNC A PVA 24V		19	* 60633	SOLUCIONE CALIBRAZIONE 470MV.	
5	4408040087	CARTA POTENZA DV1-50		20	* 60618	SOLUCIONE TAMPONE PH 7,0 50 M/L. (VER	
6	4408040509	PROTECTORE CONTATTI		21	* 60632	SOLUCIONE TAMPONE PH 4,0 50 ML. (ROS:	
7	4408040508	GHIERA CHIUSURA CELLA		22	* 60646	ELETTROLITO	
8	4408040510	GUARNICIONE COPERCHIO CELLA		23	* 60648	ELETTRODO COMBINATO PH	

*** SI FACCIA RIFERIMENTO AL FOGLIO DELLE OSSERVAZIONI**

CODICE **35252, 35258, 45836**

DESCRIZIONE: **ELETTROLISI DA SALE E CONTROLLO PH A-40/50 EX/PLUS**

9	4408041410	KIT DI VITI PER FISSAGGIO DELL'ELETTRC	24	* 60645	SONDA DI CLORO LIBERO
10	4408041408	CELLA PORTAELETTRODI D-40/50 EX/+	25	* 60649	ELETTRODO RX

CODICE **35252, 35258, 45836**

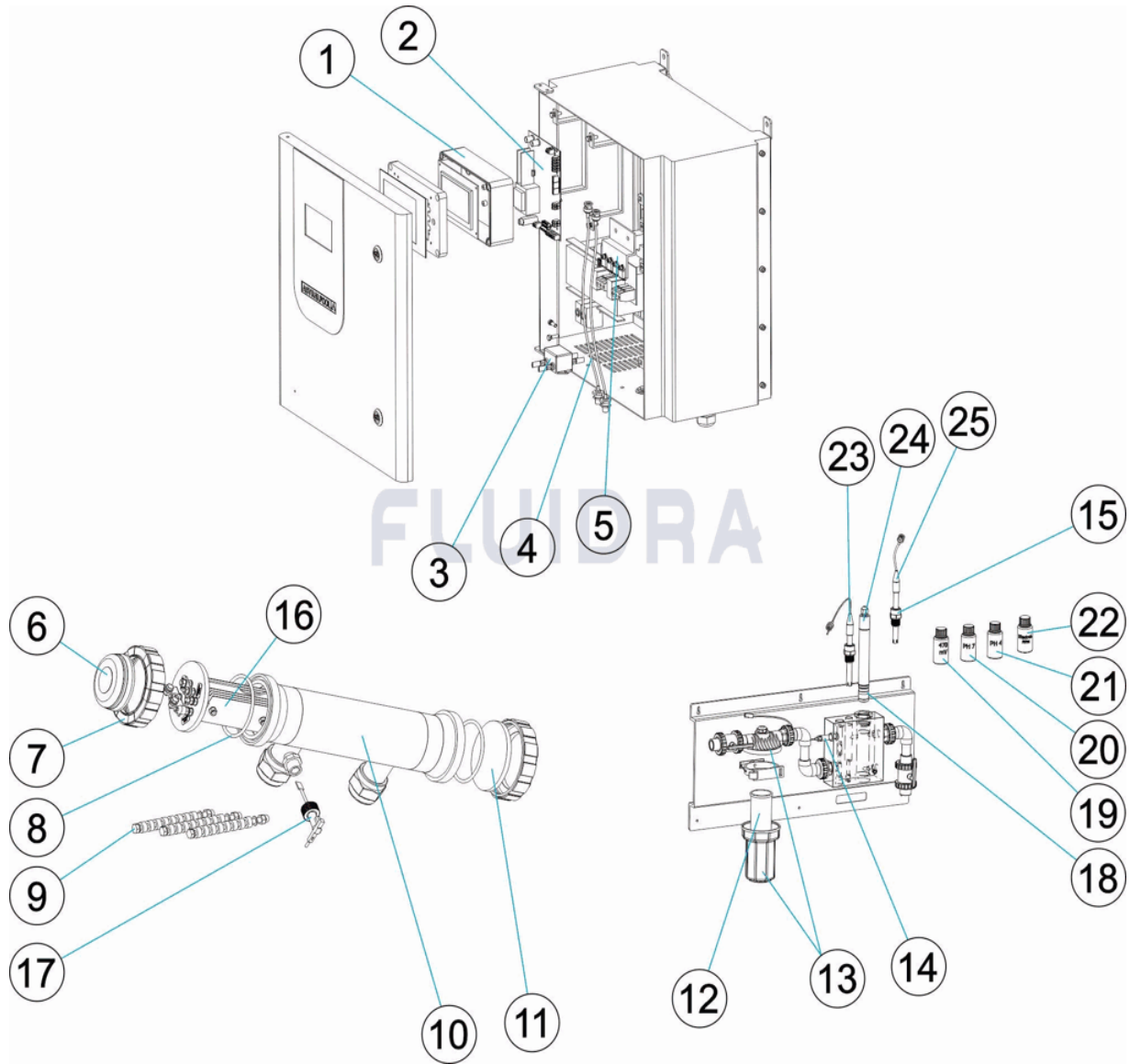
DESCRIZIONE: **ELETTROLISI DA SALE E CONTROLLO PH A-40/50 EX/PLUS**

OSSERVAZIONI

POS	CODICE	OSSERVAZIONI
1	* 4408040148	PER: 35252, 35258 MODELO ANTERIOR / PREVIOUS MODEL
1	* 4408040149	PER: 45836 MODELO ANTERIOR / PREVIOUS MODEL
1	* 4408040455	PER: 35252, 35258 MODELO ACTUAL / CURRENT MODEL
1	* 4408040456	PER: 45836 MODELO ACTUAL / CURRENT MODEL
2	* 4408040080	PER: 35252
2	* 4408040081	PER: 35258, 45836
4	* 4408040088	PER: 35258, 45836
4	* 4408040089	PER: 45836
12	* 4408041537	PER: 45836
13	* 4408041538	PER: 45836
14	* 4408041541	PER: 45836
15	* 4408040604	PER: 35258, 45836
18	* 60647	PER: 45836
19	* 60633	PER: 35258
20	* 60618	PER: 35258, 45836
21	* 60632	PER: 35258, 45836
22	* 60646	PER: 45836
23	* 60648	PER: 35258, 45836
24	* 60645	PER: 45836
25	* 60649	PER: 35258

CODE **35252, 35258, 45836**

BESCHREIBUNG: **SALZELEKTROLYSE UND STEUERUNG PH A-40/50 EX/PLUS**



DEUTSCH

POS	CODE	BESCHREIBUNG	MENGE	POS	CODE	BESCHREIBUNG	MENGE
1	* 4408040148	TOUCHSCREEN DV1 EX		11	4408041409	SCHEIBE PLEXIGLAS D. 134/10 MM	
1	* 4408040149	TOUCHSCREEN DV1 EX 2		12	* 4408041537	SONDENHALTERUNG FILTER WASCHBAR	
1	* 4408040455	TOUCHSCREEN EX V2		13	* 4408041538	SONDENHALTERUNG E/S 1/2"	
1	* 4408040456	TOUCHSCREEN PH PPM V2		14	* 4408041541	INDUKTIVER DURCHFLUSSMESSER	
2	* 4408040080	STEUERPLATINE DV1 - 50 EX		15	* 4408040604	ELEKTRODENSITZ PE 12 MM-1/2"	
2	* 4408040081	STEUERPLATINE DV1 - 50 EXT - 1/2		16	60634	ELEKTRODE SELBSTREINIGEND A-40/50	
3	4408041021	FILTER 230 V A-65/A-120 EX/PLUS		17	71124	DURCHFLUSSMESSER	
4	* 4408040088	SCHLAUCHLEITUNG BNC 0,7 AUSSEN		18	* 60647	KOPFSTÜCK MEMBRAN FREICHLORMESSI	
4	* 4408040089	SCHLAUCHLEITUNG BNC EXT-2 BNC A PV		19	* 60633	KALIBRIERLÖSUNG 47 0MV	
5	4408040087	LEISTUNGSPLATINE DV1 - 50		20	* 60618	PUFFER PH 7,0 50 M/L (GRÜN)	
6	4408040509	KONTAKTSCHUTZ		21	* 60632	PUFFER PH 4,0 50 ML (ROT)	
7	4408040508	MUTTER SCHLISSVORRICHTUNG ZELLE		22	* 60646	ELEKTROLYT ECC1/GEL SONDE CL	
8	4408040510	DICHTUNG GEHÄUSE EPDM		23	* 60648	ELEKTRODE KOMBINIERT PH	

* SIEHE ANMERKUNGSBLATT

CODE **35252, 35258, 45836**

BESCHREIBUNG: **SALZELEKTROLYSE UND STEUERUNG PH A-40/50 EX/PLUS**

9	4408041410	SET VERANKERUNGSSCHRAUBEN ELEKT	24	* 60645	FREICHLORMESSER
10	4408041408	ELEKTRODENZELLE D-40/50EX/+	25	* 60649	ORP-ELEKTRODE

CODE **35252, 35258, 45836**

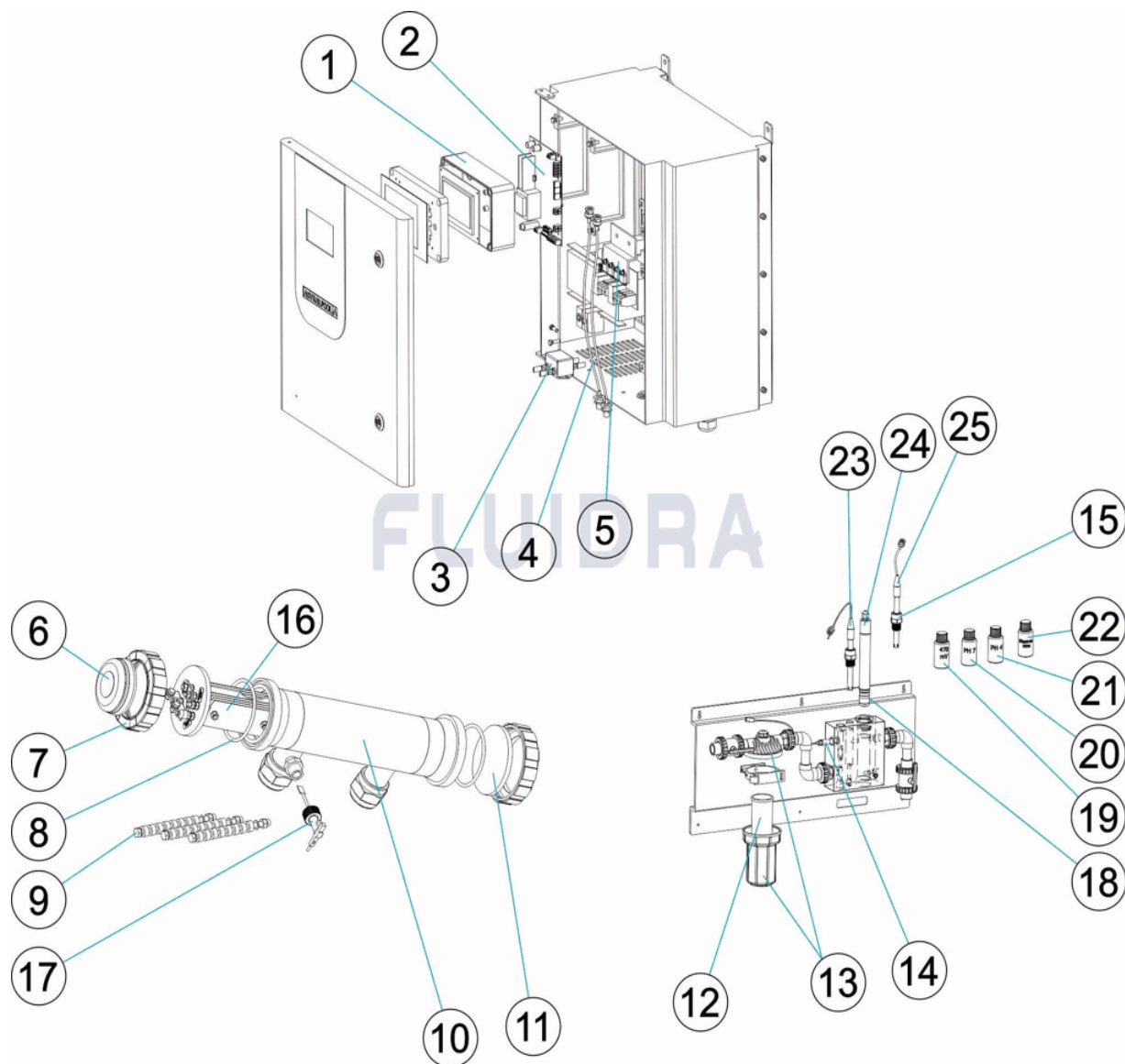
BESCHREIBUNG: **SALZELEKTROLYSE UND STEUERUNG PH A-40/50 EX/PLUS**

HINWEISE

POS	CODE	HINWEISE
1	* 4408040148	FÜR: 35252, 35258 MODELO ANTERIOR / PREVIOUS MODEL
1	* 4408040149	FÜR: 45836 MODELO ANTERIOR / PREVIOUS MODEL
1	* 4408040455	FÜR: 35252, 35258 MODELO ACTUAL / CURRENT MODEL
1	* 4408040456	FÜR: 45836 MODELO ACTUAL / CURRENT MODEL
2	* 4408040080	FÜR: 35252
2	* 4408040081	FÜR: 35258, 45836
4	* 4408040088	FÜR: 35258, 45836
4	* 4408040089	FÜR: 45836
12	* 4408041537	FÜR: 45836
13	* 4408041538	FÜR: 45836
14	* 4408041541	FÜR: 45836
15	* 4408040604	FÜR: 35258, 45836
18	* 60647	FÜR: 45836
19	* 60633	FÜR: 35258
20	* 60618	FÜR: 35258, 45836
21	* 60632	FÜR: 35258, 45836
22	* 60646	FÜR: 45836
23	* 60648	FÜR: 35258, 45836
24	* 60645	FÜR: 45836
25	* 60649	FÜR: 35258

CODIGO **35252, 35258, 45836**

DESCRICAÇÃO: **ELECTRÓLISE DE SAL E CONTROLO PH A-40/50 EX/PLUS**



PORTUGUES

POS	CODIGO	DESCRICAÇÃO	JANTIDADE	POS	CODIGO	DESCRICAÇÃO	JANTIDADE
1	* 4408040148	PLACA VISUALIZAÇÃO ELECTRÓLISE DV1		11	4408041409	DISCO METACRILATO D.134/10 MM.	
1	* 4408040149	PLACA VISUALIZAÇÃO ELECTRÓLISE DV1		12	* 4408041537	FILTRO PORTA-SONDAS LAVÁVEL	
1	* 4408040455	PLACA VISUALIZAÇÃO ELECTRÓLISE EX V		13	* 4408041538	PORTA-SONDAS E/S 1/2"	
1	* 4408040456	PLACA VISUALIZAÇÃO ELECTRÓLISE PH F		14	* 4408041541	SONDA DE CAUDAL INDUTIVA	
2	* 4408040080	PLACA CONTROLO DV1-50 EX		15	* 4408040604	PORTAELECTRODOS PE 12M/M-1/2"	
2	* 4408040081	PLACA CONTROLO DV1-50 EXT-1/2		16	60634	ELECTRODO AUTO-LIMPANT. A-40/50	
3	4408041021	FILTRO 230V A-65/A-120 EX/PLUS		17	71124	FLUXO-ESTATO	
4	* 4408040088	CABO BNC 0,7		18	* 60647	CÁPSULA MEMBRANA PARA SONDA CLOR(C	
4	* 4408040089	CABO BNC EXT-2 BNC A PVA 24V		19	* 60633	SOLUÇÃO TAMPÃO 470 MV	
5	4408040087	TARJETA POTÊNCIA DV1-50		20	* 60618	SOLUÇÃO TAMPÃO PH 7,0 50 M/L. (VERDE)	
6	4408040509	PROTECTOR CONTACTOS		21	* 60632	SOLUÇÃO TAMPÃO PH 4,0 50 ML. (VERMEL	
7	4408040508	TAMPA ROSCADA DE FECHO DA VASO		22	* 60646	ELECTROLITO	
8	4408040510	JUNTA EPDM COPO		23	* 60648	ELECTRODO COMBINADO PH	

*** VEJA A FICHA DE OBSERVAÇÕES**

CODIGO **35252, 35258, 45836**

DESCRIÇÃO: **ELECTRÓLISE DE SAL E CONTROLO PH A-40/50 EX/PLUS**

9	4408041410	CJTO.PARAFUSOS DE FIXAÇÃO DE ELECT	24	* 60645	SONDA DE CLORO LIVRE
10	4408041408	VASO PORTA-ELECTRODOS D-40/50 EX/+	25	* 60649	ELECTRODO ORP

CODIGO **35252, 35258, 45836**

DESCRIÇÃO: **ELECTRÓLISE DE SAL E CONTROLO PH A-40/50 EX/PLUS**

OBSERVAÇÕES

POS	CODIGO	OBSERVAÇÕES
1	* 4408040148	PARA: 35252, 35258 MODELO ANTERIOR / PREVIOUS MODEL
1	* 4408040149	PARA: 45836 MODELO ANTERIOR / PREVIOUS MODEL
1	* 4408040455	PARA: 35252, 35258 MODELO ACTUAL / CURRENT MODEL
1	* 4408040456	PARA: 45836 MODELO ACTUAL / CURRENT MODEL
2	* 4408040080	PARA: 35252
2	* 4408040081	PARA: 35258, 45836
4	* 4408040088	PARA: 35258, 45836
4	* 4408040089	PARA: 45836
12	* 4408041537	PARA: 45836
13	* 4408041538	PARA: 45836
14	* 4408041541	PARA: 45836
15	* 4408040604	PARA: 35258, 45836
18	* 60647	PARA: 45836
19	* 60633	PARA: 35258
20	* 60618	PARA: 35258, 45836
21	* 60632	PARA: 35258, 45836
22	* 60646	PARA: 45836
23	* 60648	PARA: 35258, 45836
24	* 60645	PARA: 45836
25	* 60649	PARA: 35258