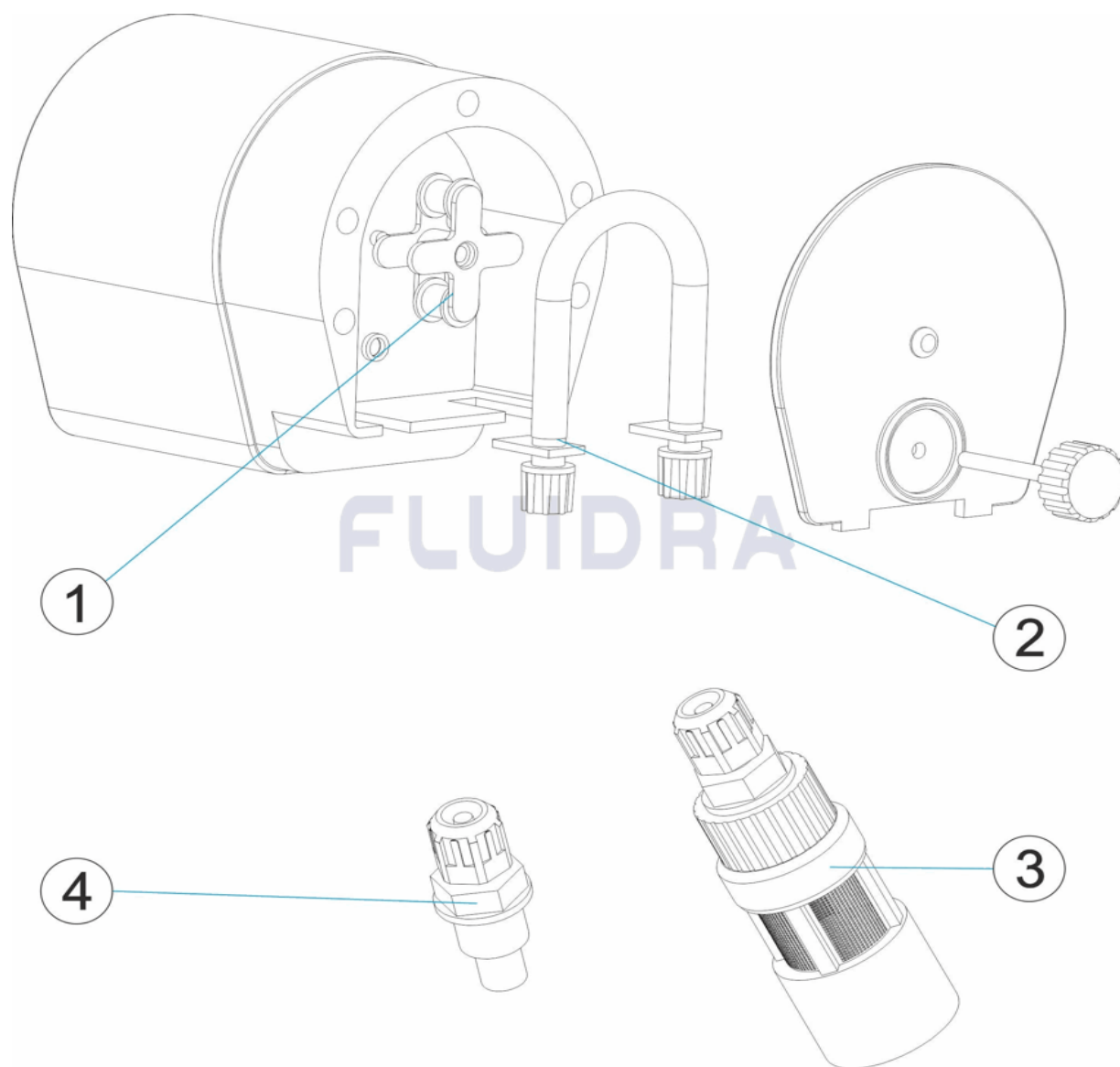


CODIGO **40834**

DESCRIPCION: **BOMBA PERISTALTICA**

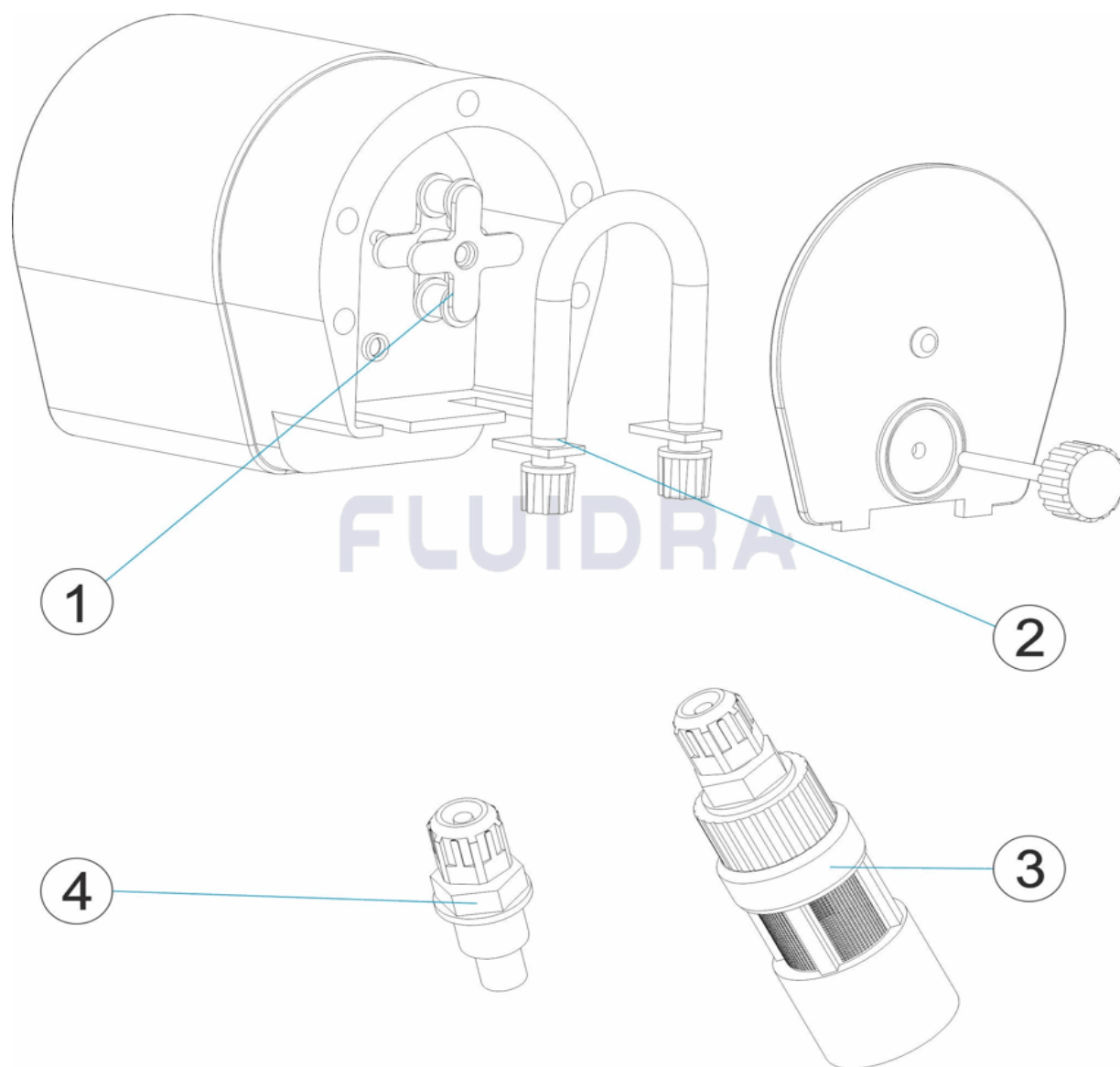


**ESPAÑOL**

POS	CODIGO	DESCRIPCION	CANTIDAD	POS	CODIGO	DESCRIPCION	CANTIDAD
1	4408032901	PORTA-RODILLOS HP		3	4408032903	FILTRO ASPIRACION HP	
2	4408032902	TUBO PERISTALTICO SANTOPRENE HP		4	4408032904	RACOR INYECCION 3/8" H "	

CODE **40834**

DESCRIPTION: **POMPE PÉRISTALTIQUE**

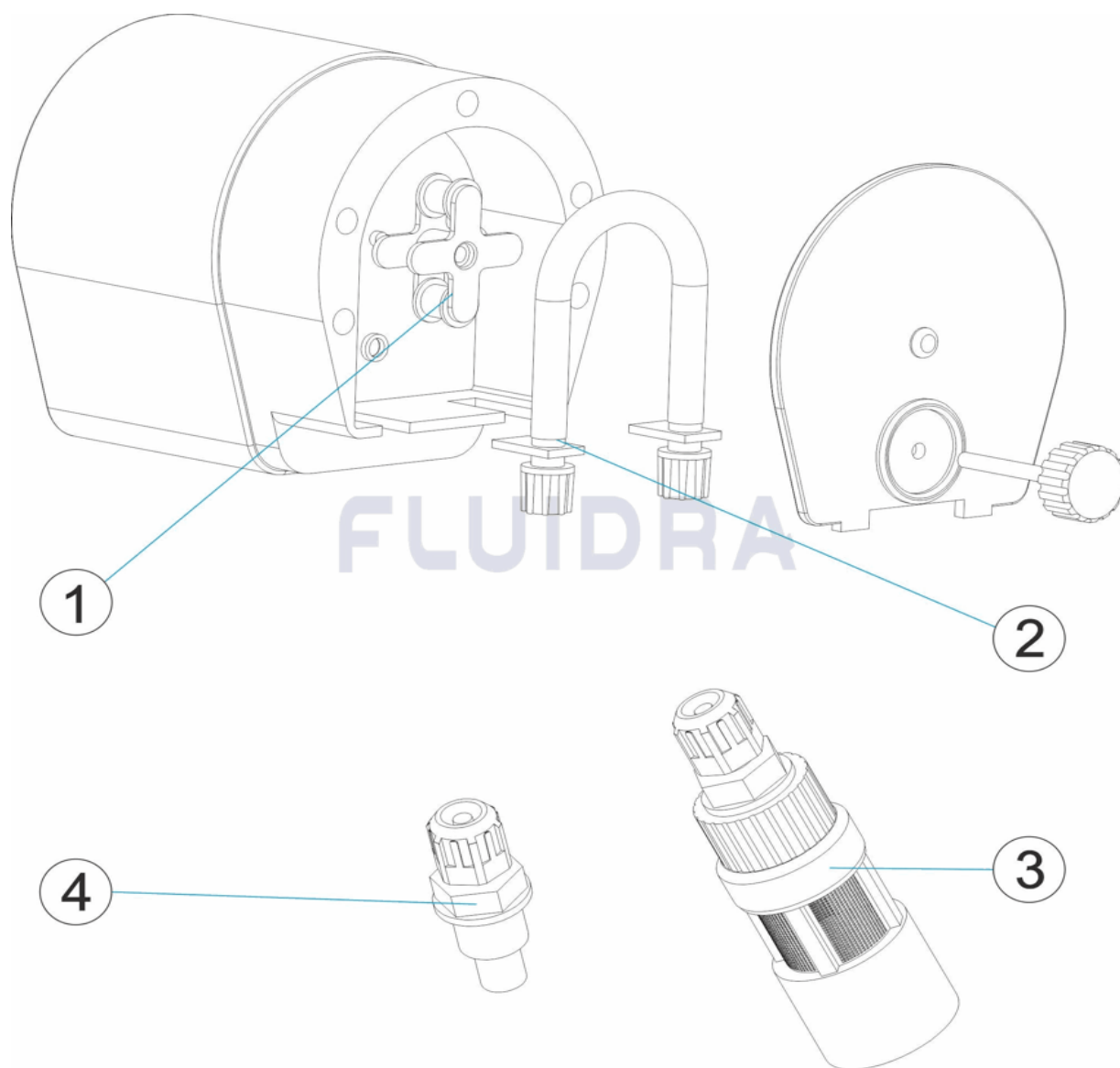


**FRANCAIS**

POS	CODE	DESCRIPTION	QUANTITE	POS	CODE	DESCRIPTION	QUANTITE
1	4408032901	SUPPORT GALETS		3	4408032903	FILTRE ASPIRATION HP	
2	4408032902	TUBE SANTOPRENE		4	4408032904	INJECTOR VALVE HP	

CODE **40834**

DESCRIPTION: **PERISTALTIC PUMP**

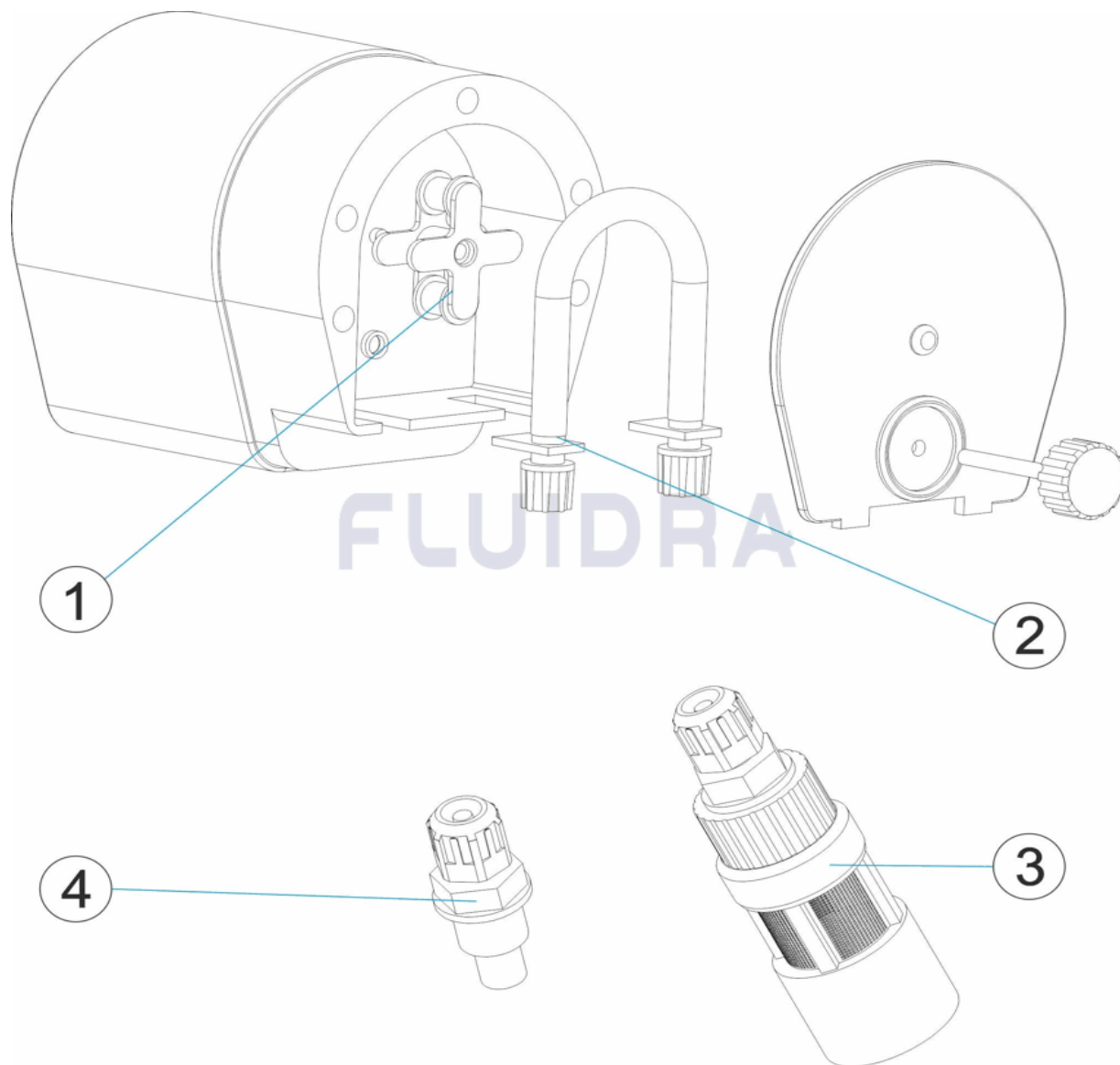


**ENGLISH**

POS	CODE	DESCRIPTION	QUANTITY	POS	CODE	DESCRIPTION	QUANTITY
1	4408032901	ROLLER SUPPORT		3	4408032903	FILTER ASSEMBLY HP	
2	4408032902	SANTOPRENE TUBE		4	4408032904	INJECTOR VALVE HP	

CODICE **40834**

DESCRIZIONE: **POMPA PERISTALTICA**

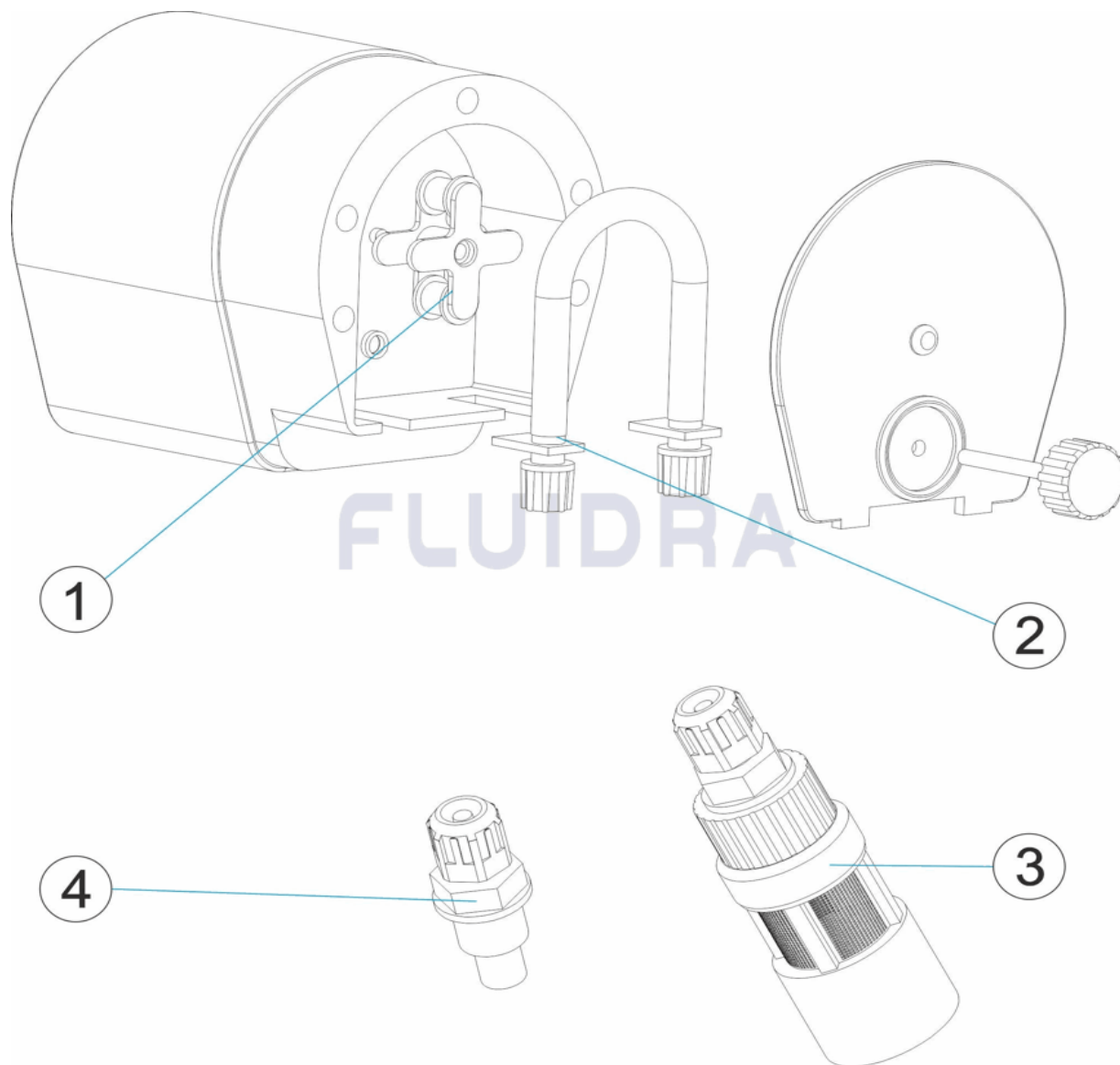


**ITALIANO**

POS	CODICE	DESCRIZIONE	QUANTITA'	POS	CODICE	DESCRIZIONE	QUANTITA'
1	4408032901	PORTA RULLO		3	4408032903	FILTRO ASPIRAZIONE HP	
2	4408032902	TUBO SANTOPRENE		4	4408032904	VALVOLA INIEZIONE HP	

CODE **40834**

BESCHREIBUNG: **PERISTALTIKpumpe**

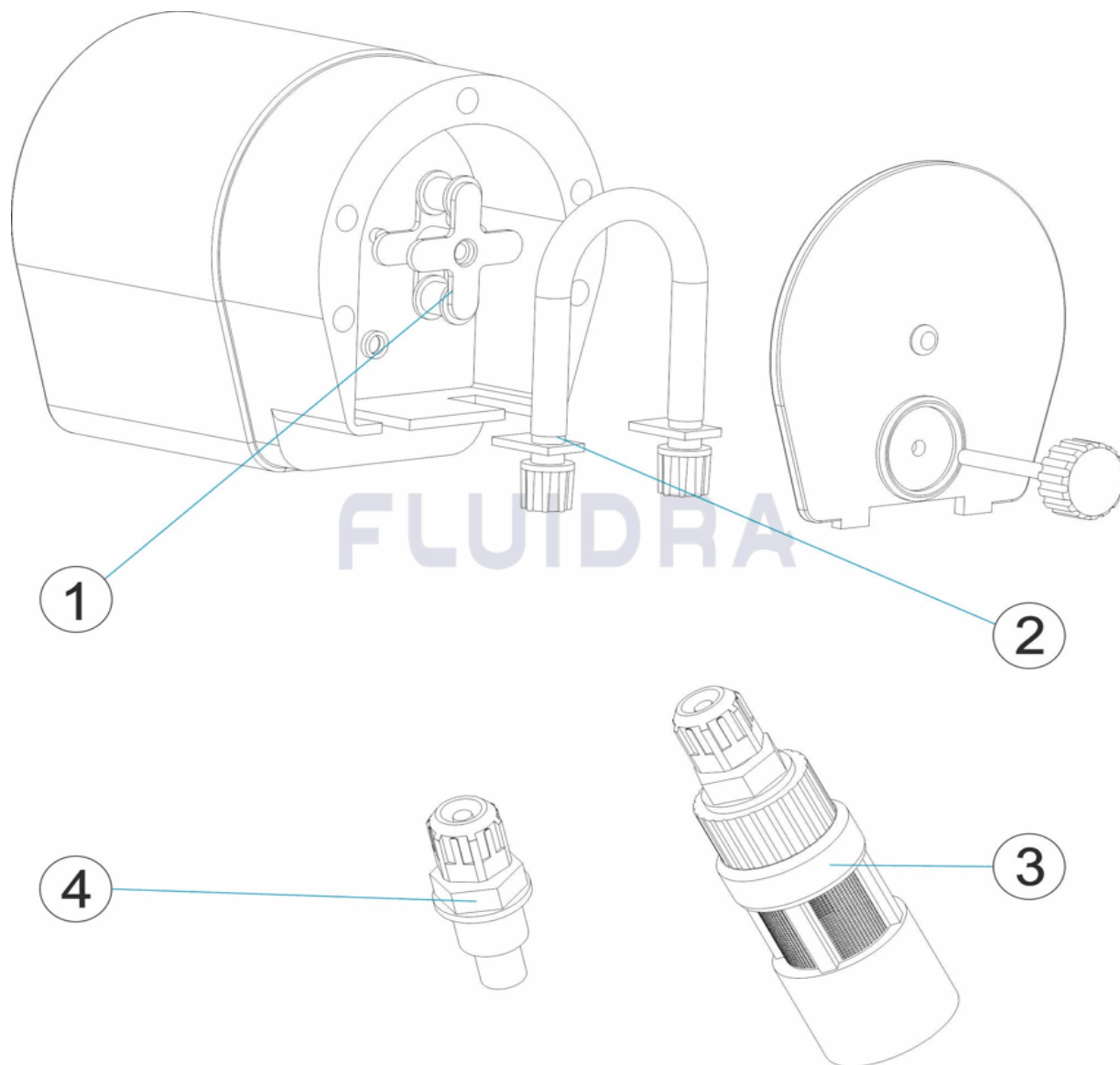


**DEUTSCH**

POS	CODE	BESCHREIBUNG	MENGE	POS	CODE	BESCHREIBUNG	MENGE
1	4408032901	ROLLENSITZ HP		3	4408032903	SAUGFILTER HP	
2	4408032902	PERESTALTIKROHR SANTOPREN HP		4	4408032904	INJEKTOR-GEWINDESTÜCK 3/8" H "	

CODIGO **40834**

DESCRIÇÃO: **BOMBA PERISTÁLTICA**



**PORTUGUES**

POS	CODIGO	DESCRIÇÃO	JANTIDADE	POS	CODIGO	DESCRIÇÃO	JANTIDADE
1	4408032901	PORTA-RODÍZIOS		3	4408032903	FILTRO ASPIRAÇÃO HP	
2	4408032902	TUBO DE SANTOPRENE		4	4408032904	INJECTOR HP	