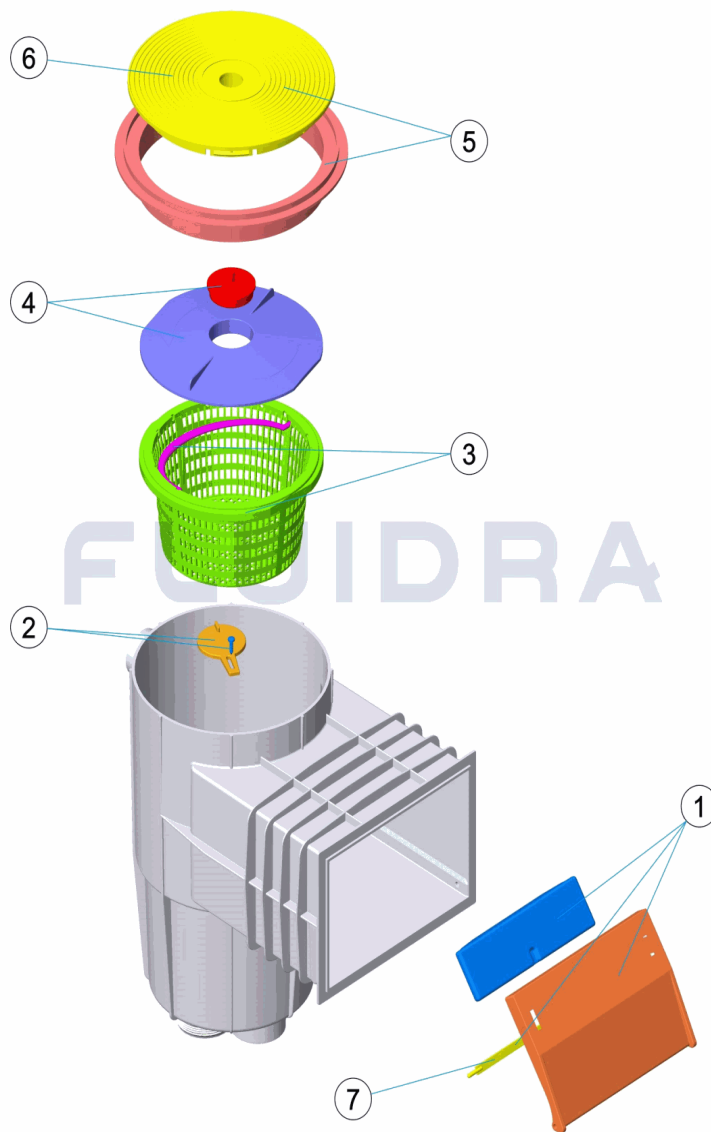


CODIGO **00249, 00249CL090, 00249CL129, 00249CL144**

DESCRIPCION: **SKIMMER 15L PH B. STD. T. CIRC.**



ESPAÑOL

POS	CODIGO	DESCRIPCION	CANTIDAD	POS	CODIGO	DESCRIPCION	CANTIDAD
1	* 4402010101	COMPUERTA SKIMMER BISAGRA		3	4402010103	CESTO SKIMMER	
1	* 4402010026	CONJUNTO COMPUERTA SKIMMER + FLO		4	4402010104	TAPA CESTO SKIMMER CON TAPON	
1	* 4402010109	COMPUERTA SKIMMER ANTIGUA		5	4402010105	TAPA Y ARO CIRCULAR SKIMMER	
1	* 4402010030	CONJUNTO COMPUERTA SKIMMER + FLO		6	4402010108	TAPA CIRCULAR SKIMMER	
1	* 4402010072	COMPUERTA SKIMMER BISAGRA		7	4402010110	BISAGRA COMPUERTA	
2	4402010102	CLAPETA SKIMMER					

CODIGO 00249, 00249CL090, 00249CL129, 00249CL144

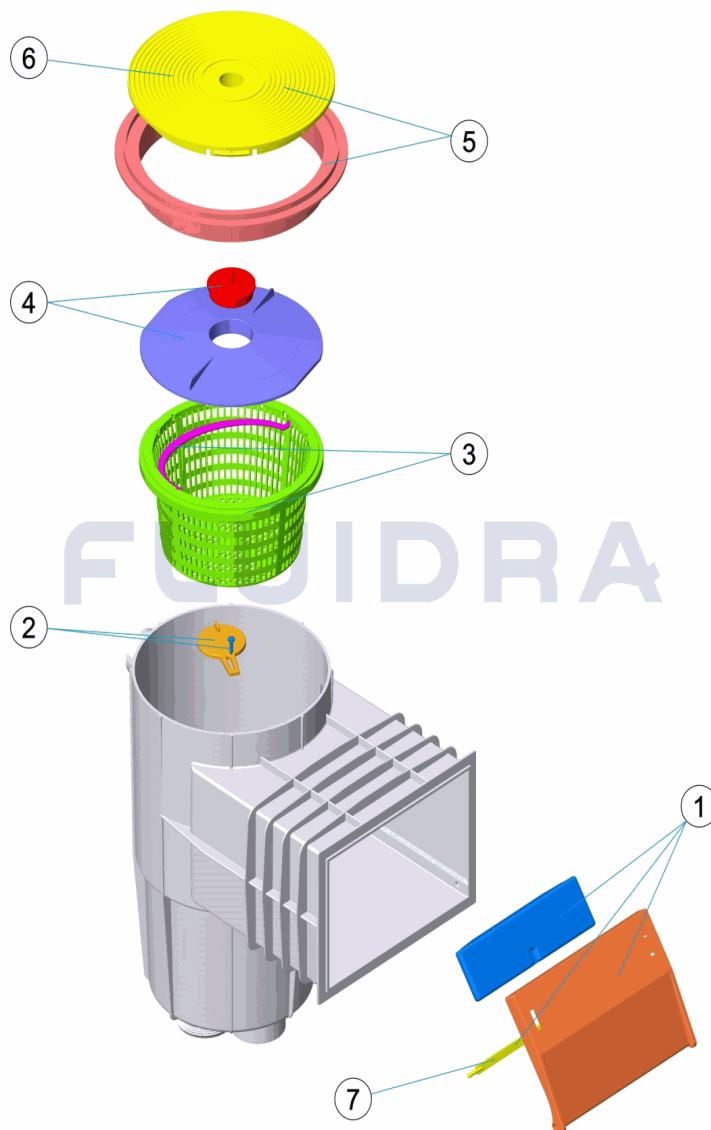
DESCRIPCION: SKIMMER 15L PH B. STD. T. CIRC.

OBSERVACIONES

POS	CODIGO	OBSERVACIONES
1	* 4402010101	PARA: 00249 MODELO BLANCO ACTUAL / WHITE CURRENT MODEL
1	* 4402010026	PARA: 00249CL090 BEIGE
1	* 4402010109	PARA: 00249 MODEL BLANCO ANTERIOR / WHITE PREVIOUS MODEL
1	* 4402010030	PARA: 00249CL129 GRIS / GREY
1	* 4402010072	PARA: 00249CL144 ANTRACITA / ANTHRACITE

CODE 00249, 00249CL090, 00249CL129, 00249CL144

DESCRIPTION: SKIMMER 15L PH B. STD. C. CIRC.



FRANCAIS

POS	CODE	DESCRIPTION	QUANTITE	POS	CODE	DESCRIPTION	QUANTITE
1	* 440201011	VOLET ET CHARNIERE SKIMMER		3	440201013	PANIER SKIMMER	
1	* 4402010026	VOLET ET CHARNIERE SKIMMER		4	440201014	COUVERCLE PANIER SKIMMER AVEC BOU	
1	* 4402010109	VOLET DE SKIMMER ANCIEN MODÈLE		5	440201015	COUVERCLE ET CADRE ROND SKIMMER	
1	* 4402010030	VOLET ET CHARNIERE SKIMMER		6	440201018	COUVERCLE ROND SKIMMER	
1	* 4402010072	VOLET ET CHARNIERE SKIMMER		7	4402010110	CHARNIERE VOLET	
2	4402010102	CLAPET SKIMMER					

CODE **00249, 00249CL090, 00249CL129, 00249CL144**

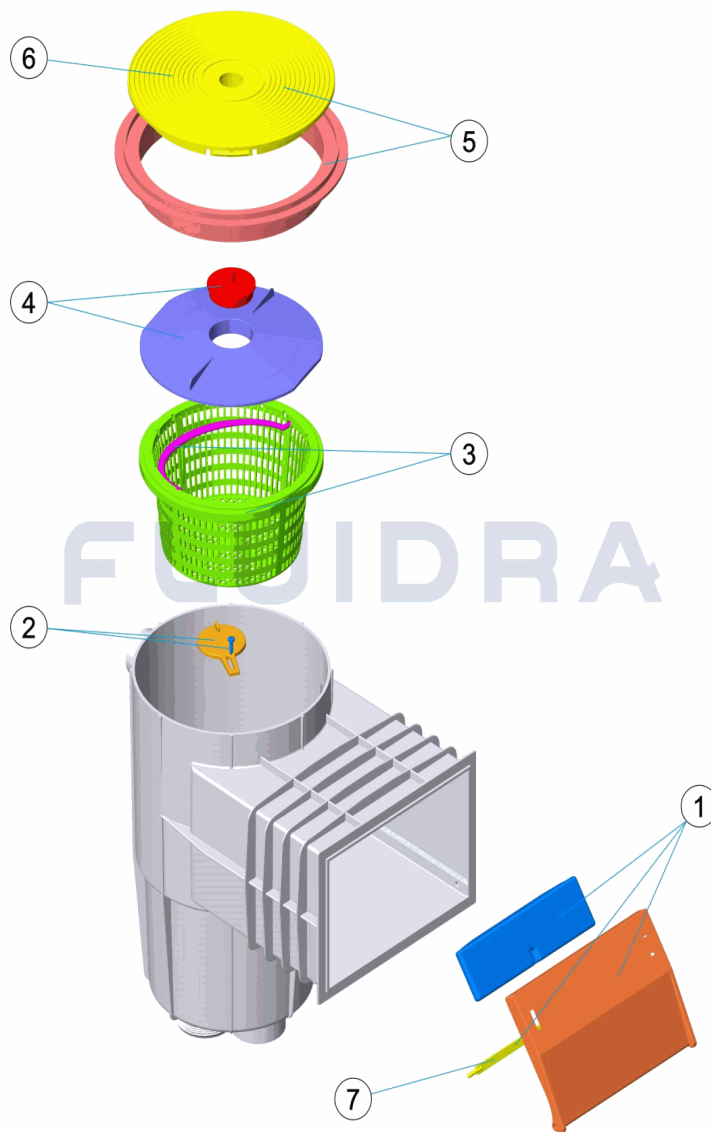
DESCRIPTION: **SKIMMER 15L PH B. STD. C. CIRC.**

OBSERVATIONS

POS	CODE	OBSERVATIONS
1	* 4402010101	POUR: 00249 MODELO BLANCO ACTUAL / WHITE CURRENT MODEL
1	* 4402010026	POUR: 00249CL090 BEIGE
1	* 4402010109	POUR: 00249 MODEL BLANCO ANTERIOR / WHITE PREVIOUS MODEL
1	* 4402010030	POUR: 00249CL129 GRIS / GREY
1	* 4402010072	POUR: 00249CL144 ANTRACITA / ANTHRACITE

CODE 00249, 00249CL090, 00249CL129, 00249CL144

DESCRIPTION: SKIMMER 15L PH B. STD. T. CIRC.



ENGLISH

POS	CODE	DESCRIPTION	QUANTITY	POS	CODE	DESCRIPTION	QUANTITY
1	* 440201011	FLAP RETAINING CLIP		3	440201013	SKIMMER BASKET	
1	* 4402010026	FLAP RETAINING CLIP		4	440201014	VACUUM PLATE WITH PLUG	
1	* 4402010109	OLD STYLE SKIMMER FLAP		5	440201015	CIRCULAR LID AND LID FRAME	
1	* 4402010030	FLAP RETAINING CLIP		6	440201018	CIRCULAR SKIMMER LID	
1	* 4402010072	FLAP RETAINING CLIP		7	4402010110	HINGE FLAP	
2	4402010102	KEYHOLE FLAP					

CODE **00249, 00249CL090, 00249CL129, 00249CL144**

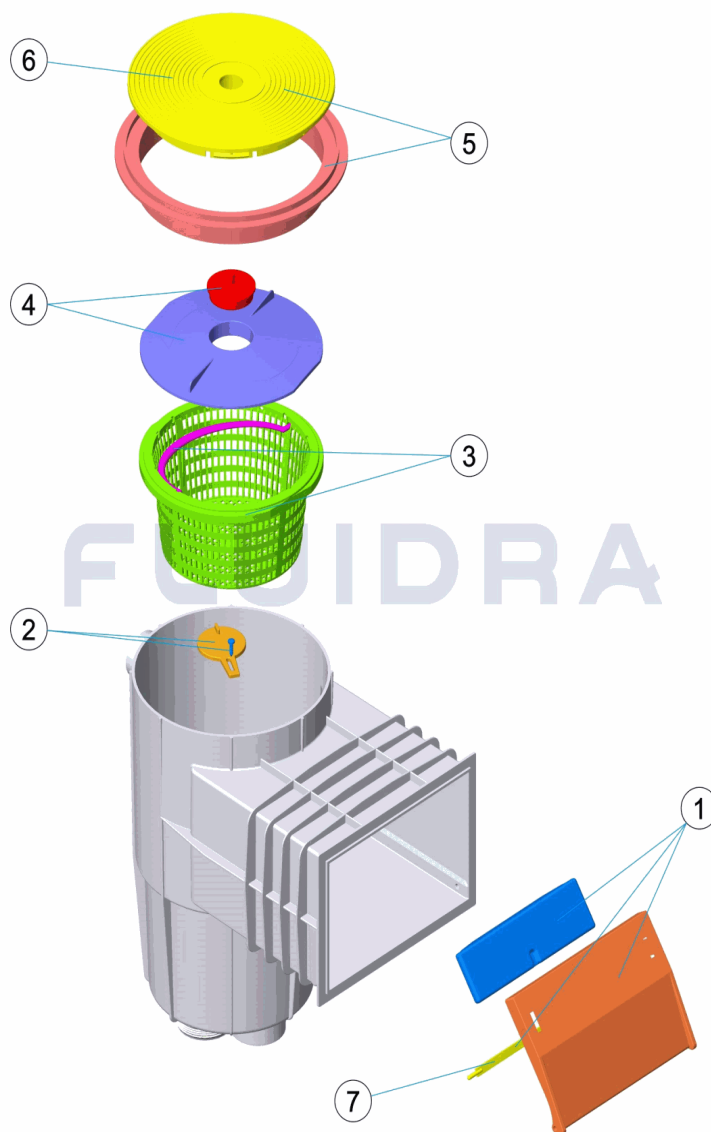
DESCRIPTION: **SKIMMER 15L PH B. STD. T. CIRC.**

OBSERVATIONS

POS	CODE	OBSERVATIONS
1	* 4402010101	FOR: 00249 MODELO BLANCO ACTUAL / WHITE CURRENT MODEL
1	* 4402010026	FOR: 00249CL090 BEIGE
1	* 4402010109	FOR: 00249 MODEL BLANCO ANTERIOR / WHITE PREVIOUS MODEL
1	* 4402010030	FOR: 00249CL129 GRIS / GREY
1	* 4402010072	FOR: 00249CL144 ANTRACITA / ANTHRACITE

CODICE **00249, 00249CL090, 00249CL129, 00249CL144**

DESCRIZIONE: **SKIMMER 15L PH B. STD. T. CIRC.**



ITALIANO

POS	CODICE	DESCRIZIONE	QUANTITA'	POS	CODICE	DESCRIZIONE	QUANTITA'
1	* 440201011	BATTENTE SKIMMER CON PERNO		3	440201013	CESTELLO SKIMMER	
1	* 4402010026	BATTENTE SKIMMER CON PERNO		4	440201014	COPERCHIO CESTELLO SKIMMER CON TAI	
1	* 4402010109	BATTENTE SKIMMER T/V		5	440201015	COPERCHIO E CORNICE TONDA SKIMMER	
1	* 4402010030	BATTENTE SKIMMER CON PERNO		6	440201018	COPERCHIO TONDO SKIMMER	
1	* 4402010072	BATTENTE SKIMMER CON PERNO		7	4402010110	CERNIERE BATTENTE	
2	4402010102	ALETTA PARZIALIZZATRICE SKIMMER					

CODICE **00249, 00249CL090, 00249CL129, 00249CL144**

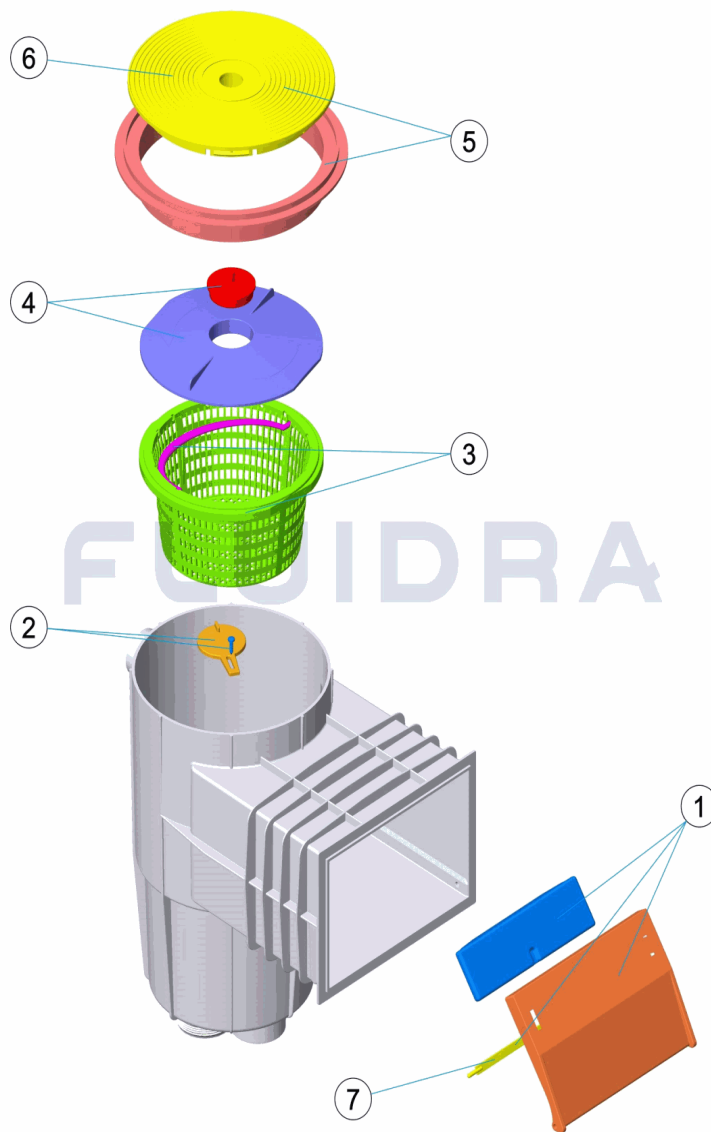
DESCRIZIONE: SKIMMER 15L PH B. STD. T. CIRC.

OSSERVAZIONI

POS	CODICE	OSSERVAZIONI
1	* 4402010101	PER: 00249 MODELO BLANCO ACTUAL / WHITE CURRENT MODEL
1	* 4402010026	PER: 00249CL090 BEIGE
1	* 4402010109	PER: 00249 MODEL BLANCO ANTERIOR / WHITE PREVIOUS MODEL
1	* 4402010030	PER: 00249CL129 GRIS / GREY
1	* 4402010072	PER: 00249CL144 ANTRACITA / ANTHRACITE

CODE **00249, 00249CL090, 00249CL129, 00249CL144**

BESCHREIBUNG: **SKIMMER 15L PH EINLASS STANDARD ABDECKUNG RUND**



DEUTSCH

POS	CODE	BESCHREIBUNG	MENGE	POS	CODE	BESCHREIBUNG	MENGE
1	* 4402010101	SKIMMERKLAPPE SCHARNIER		3	4402010103	SKIMMERKORB	
1	* 4402010026	SET SKIMMERKLAPPE MIT SCHWIMMER		4	4402010104	ABDECKUNG SKIMMKORB MIT STOPFEN	
1	* 4402010109	SKIMMERKLAPPE VORVERSION		5	4402010105	ABDECKUNG UND RING SKIMMER RUND	
1	* 4402010030	SET SKIMMERKLAPPE MIT SCHWIMMER		6	4402010108	ABDECKUNG RUND SKIMMER	
1	* 4402010072	SKIMMERKLAPPE SCHARNIER		7	4402010110	SCHARNIER Klappe	
2	4402010102	ABDECKKAPPE					

CODE **00249, 00249CL090, 00249CL129, 00249CL144**

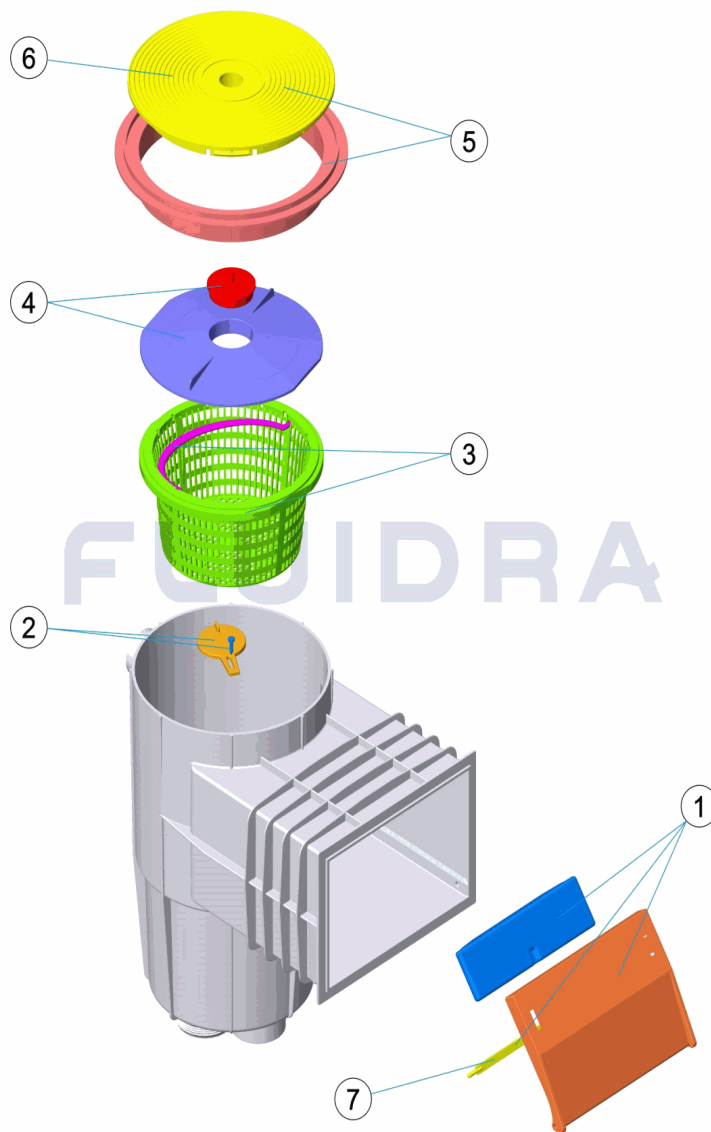
BESCHREIBUNG: **SKIMMER 15L PH EINLASS STANDARD ABDECKUNG RUND**

HINWEISE

POS	CODE	HINWEISE
1	* 4402010101	FÜR: 00249 MODELO BLANCO ACTUAL / WHITE CURRENT MODEL
1	* 4402010026	FÜR: 00249CL090 BEIGE
1	* 4402010109	FÜR: 00249 MODEL BLANCO ANTERIOR / WHITE PREVIOUS MODEL
1	* 4402010030	FÜR: 00249CL129 GRIS / GREY
1	* 4402010072	FÜR: 00249CL144 ANTRACITA / ANTHRACITE

CODIGO 00249, 00249CL090, 00249CL129, 00249CL144

DESCRIÇÃO: SKIMMER 15 L PH B. STD. T. CIRC.



PORTUGUES

POS	CODIGO	DESCRIÇÃO	JANTIDADE	POS	CODIGO	DESCRIÇÃO	JANTIDADE
1	* 4402010101	COMPORTA SKIMMER BISAGRA		3	4402010103	CESTO SKIMMER	
1	* 4402010026	COMPORTA SKIMMER BISAGRA		4	4402010104	TAMPA CESTO SKIMMER	
1	* 4402010109	COMPORTA SKIMMER ANTIGA		5	4402010105	TAMPA E ARO CIRCULAR SKIMMER	
1	* 4402010030	COMPORTA SKIMMER BISAGRA		6	4402010108	TAMPA CIRCULAR SKIMMER	
1	* 4402010072	COMPORTA SKIMMER BISAGRA		7	4402010110	DOBRADIÇA COMPORTA	
2	4402010102	CLAPETA SKIMMER					

CODIGO 00249, 00249CL090, 00249CL129, 00249CL144

DESCRIÇÃO: SKIMMER 15 L PH B. STD. T. CIRC.

OBSERVAÇÕES

POS	CODIGO	OBSERVAÇÕES
1	* 4402010101	PARA: 00249 MODELO BLANCO ACTUAL / WHITE CURRENT MODEL
1	* 4402010026	PARA: 00249CL090 BEIGE
1	* 4402010109	PARA: 00249 MODEL BLANCO ANTERIOR / WHITE PREVIOUS MODEL
1	* 4402010030	PARA: 00249CL129 GRIS / GREY
1	* 4402010072	PARA: 00249CL144 ANTRACITA / ANTHRACITE