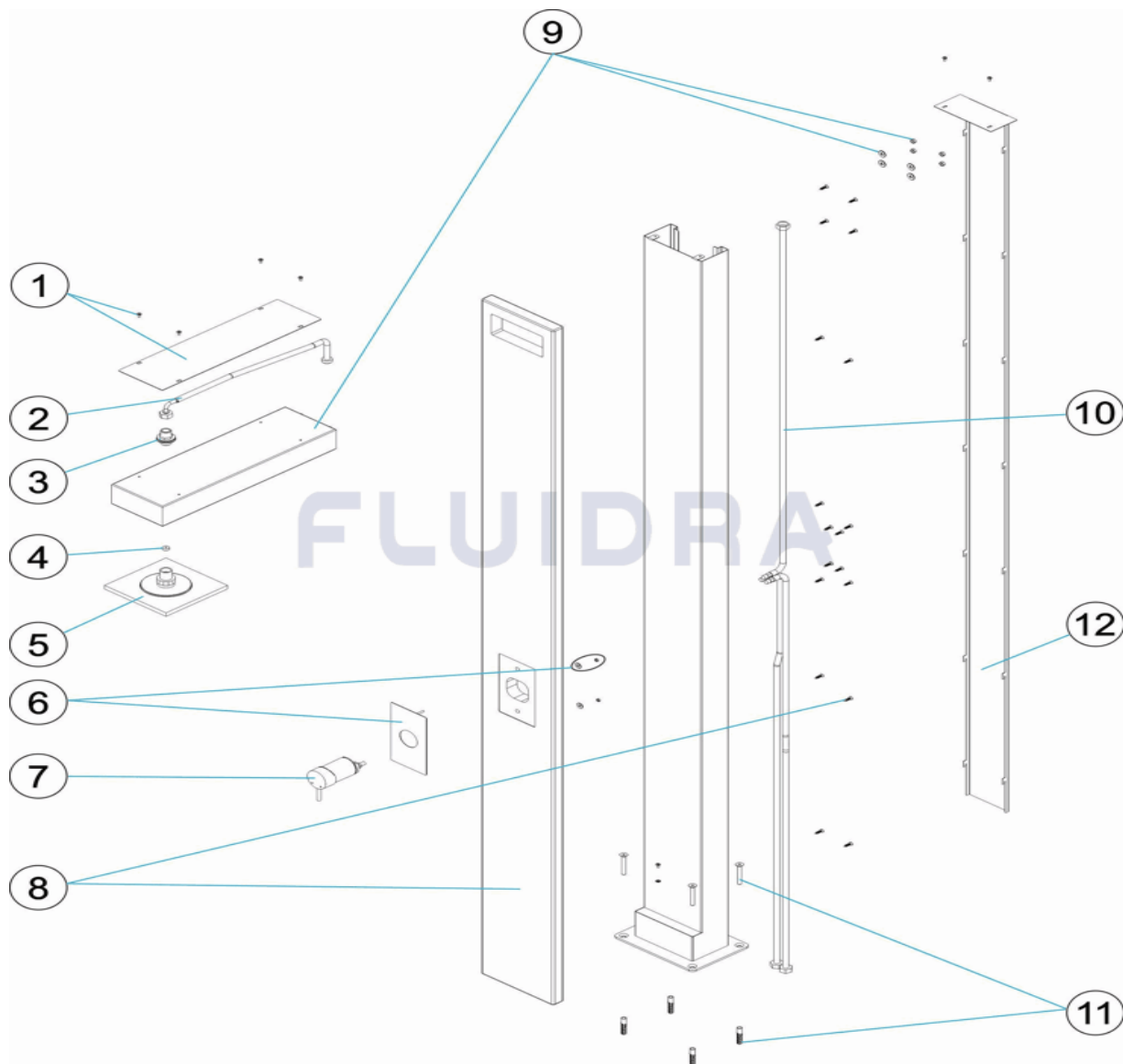


CODIGO **43432**

DESCRIPCION: **DUCHA PLUVIUM**

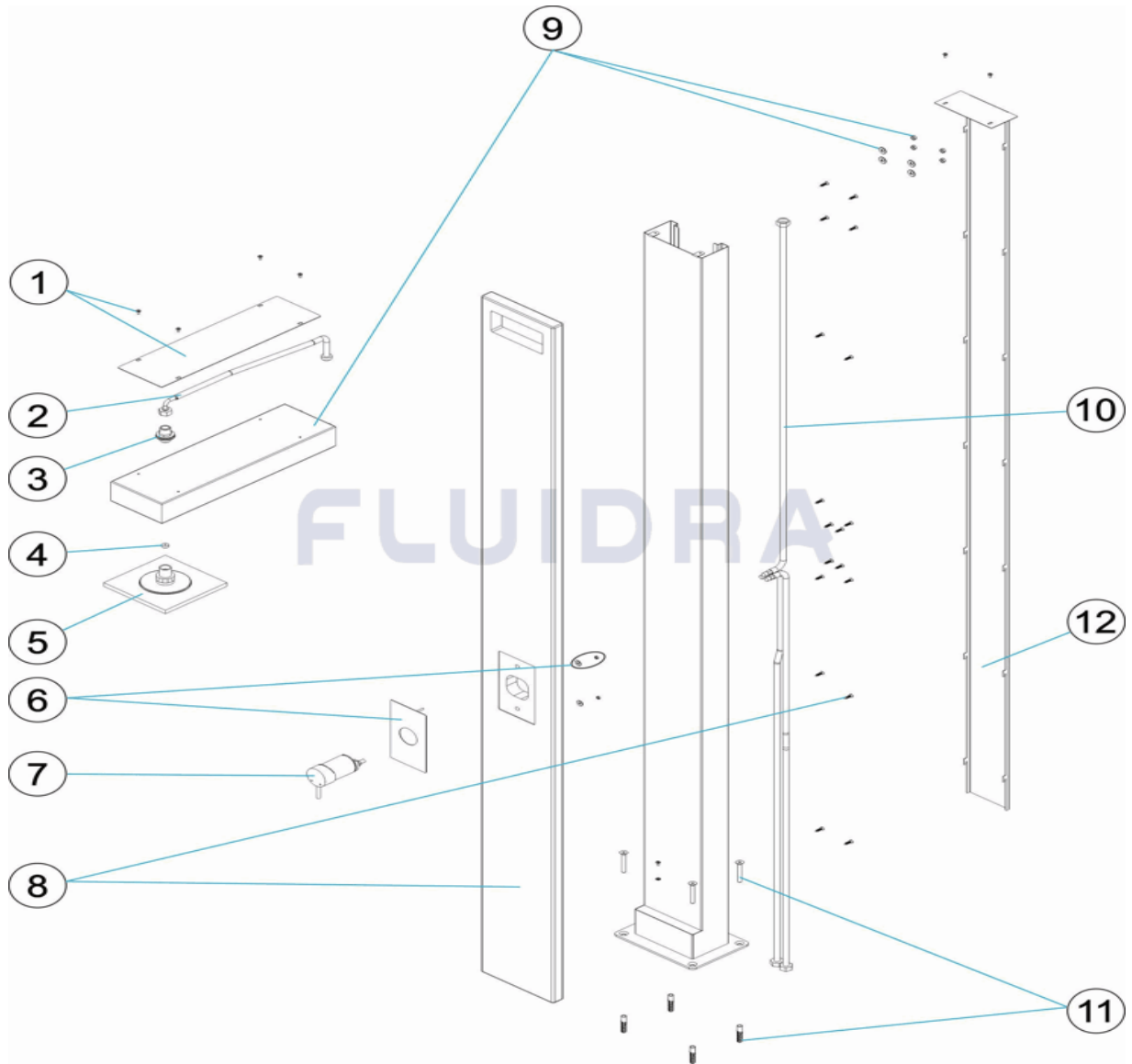


ESPAÑOL

POS	CODIGO	DESCRIPCION	CANTIDAD	POS	CODIGO	DESCRIPCION	CANTIDAD
1	4401043209	TAPA BRAZO		7	4401043201	GRIFO MONOMANDO	
2	4401043206	LATIGUILLO 500 M/M.		8	4401043208	EMBELECEDOR MADERA	
3	4401043205	PASAMUROS		9	4401043211	BRAZO DUCHA	
4	4401043204	LIMITADOR DE CAUDAL		10	4401043618	LATIGUILLO 1/2" HEMBRA + M-10 MACHO L:	
5	4401043203	PIÑA ORIENTABLE		11	4401043210	FIJACION CUERPO	
6	4401043606	EMBELECEDOR MONOMANDO		12	43432R0200	TAPA POSTERIOR	

CODE **43432**

DESCRIPTION: **DOUCHE PLUVIUM**

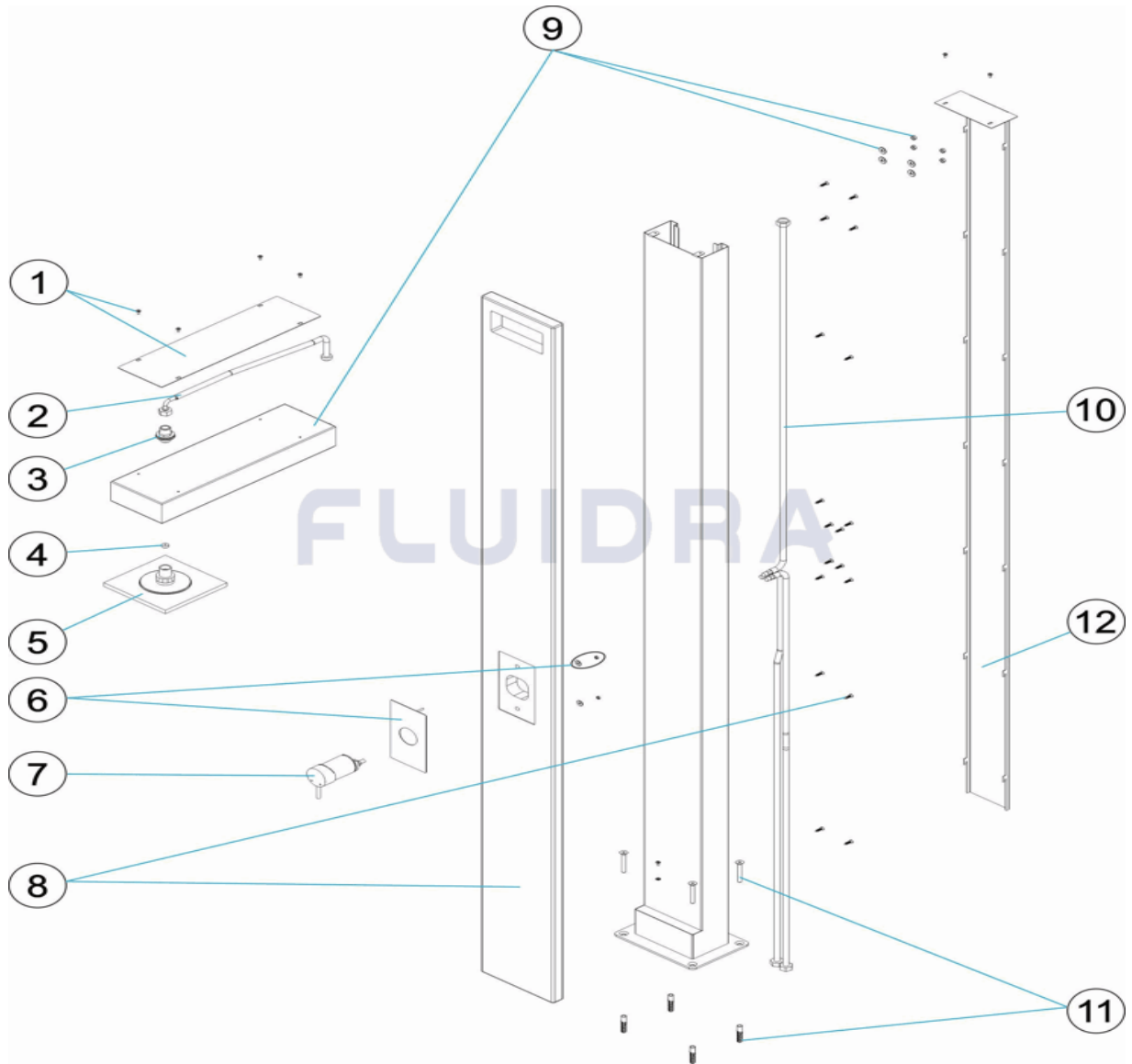


FRANCAIS

POS	CODE	DESCRIPTION	QUANTITE	POS	CODE	DESCRIPTION	QUANTITE
1	4401043209	CACHE BRAS		7	4401043201	ROBINET MONOCOMMANDE	
2	4401043206	TUBES 500 M/M.		8	4401043208	ENJOLIVEUR BOIS	
3	4401043205	TRAVERSÉE DE PAROIS		9	4401043211	BRAS DE DOUCHE	
4	4401043204	LIMITEUR DE DEBIT		10	4401043618	TUYAU 1/2" FEMELLE + M-10 MÂLE L=1300'	
5	4401043203	POMME DE DOUCHE ORIENTABLE		11	4401043210	FIXATION CORP DE DOUCHE	
6	4401043606	ENJOLIVEUR MITIGEUR		12	43432R0200	COUVERCLE ARRIERE	

CODE **43432**

DESCRIPTION: **PLUVIUM SHOWER**

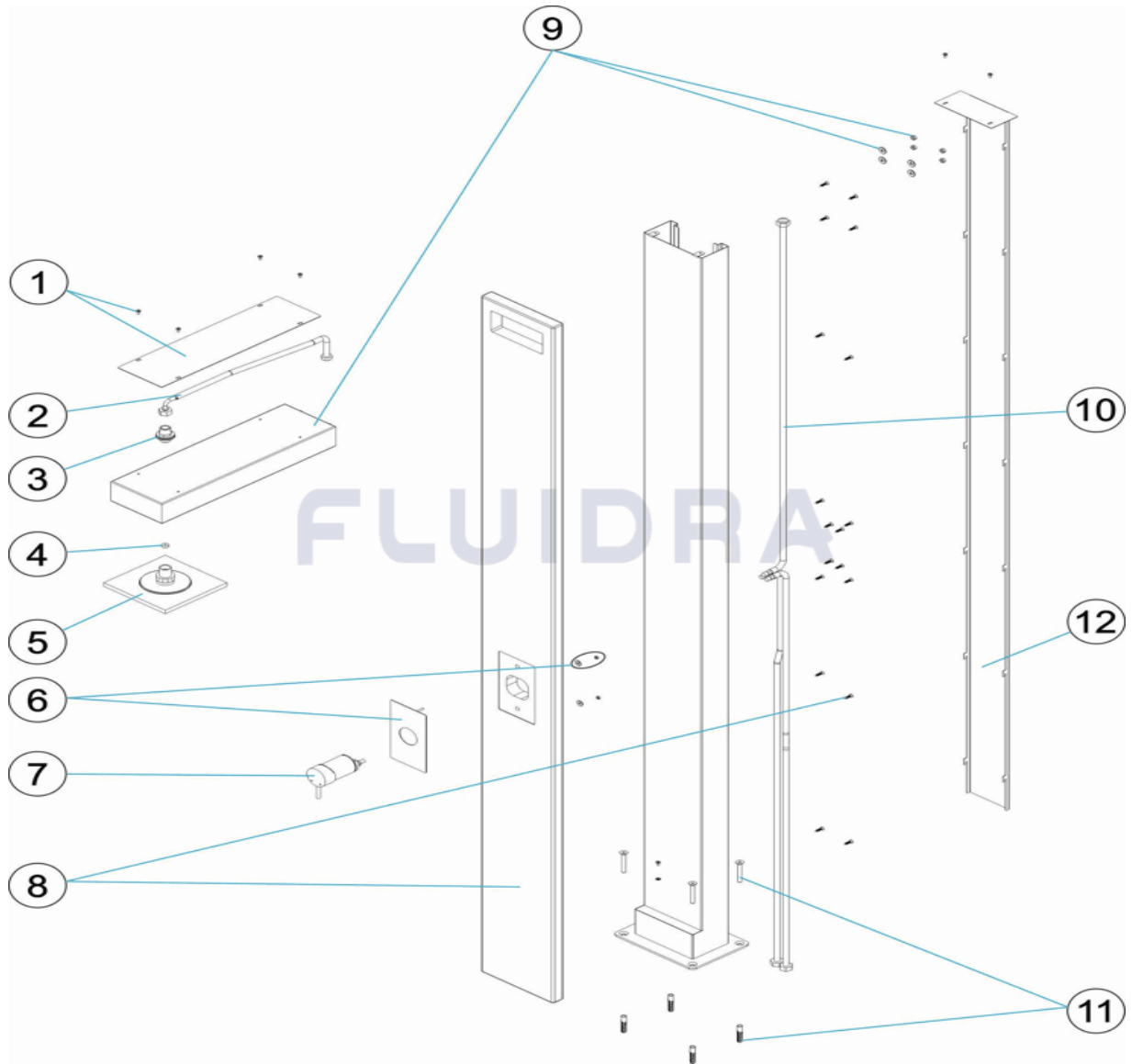


ENGLISH

POS	CODE	DESCRIPTION	QUANTITY	POS	CODE	DESCRIPTION	QUANTITY
1	4401043209	LID SHOWER ARM		7	4401043201	MIXING TAP	
2	4401043206	CONNUCTION PIPE 500 M/M.		8	4401043208	WOODEN PLATE	
3	4401043205	WALL CONDUIT		9	4401043211	SHOWER ARM	
4	4401043204	FLOW REDUCER		10	4401043618	FLEXIBLE HOSE 1/2" FEMALE + M-10 MALE	
5	4401043203	GUIDABLE SHOWER		11	4401043210	SHOWER ARM	
6	4401043606	SINGLE-LEVER TRIM COVER		12	43432R0200	REAR COVER	

CODICE **43432**

DESCRIZIONE: **DOCCIA PLUVIUM**

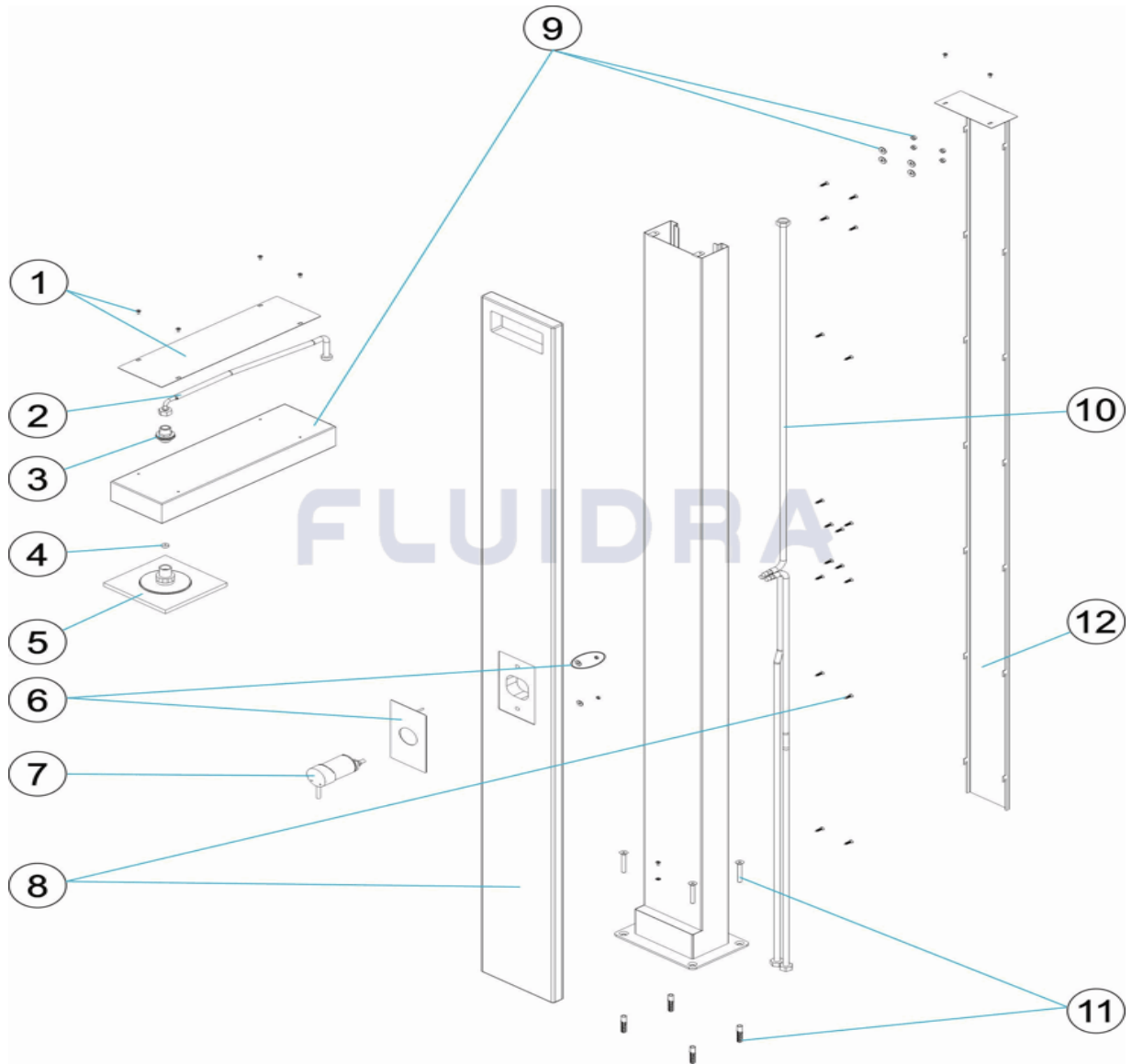


ITALIANO

POS	CODICE	DESCRIZIONE	QUANTITA'	POS	CODICE	DESCRIZIONE	QUANTITA'
1	4401043209	TAPPO BRACCIO		7	4401043201	RUBINETTO MONOCOMANDO	
2	4401043206	TUBO 500 M/M		8	4401043208	FLANGIA LEGNO	
3	4401043205	PASSANTI A MURO		9	4401043211	BRACCIO DOCCIA	
4	4401043204	LIMITATORE DI PORTATA		10	4401043618	SPINOTTO 1/2" FEMMINA + M-10 MASCHIO	
5	4401043203	DIFFUSORE ORIENTABILE		11	4401043210	FISSAGGIO CORPO	
6	4401043606	IMBELLITORE MONOCOMANDO		12	43432R0200	COPERCHIO POSTERIORE	

CODE **43432**

BESCHREIBUNG: **DUSCHE PLUVIUM**

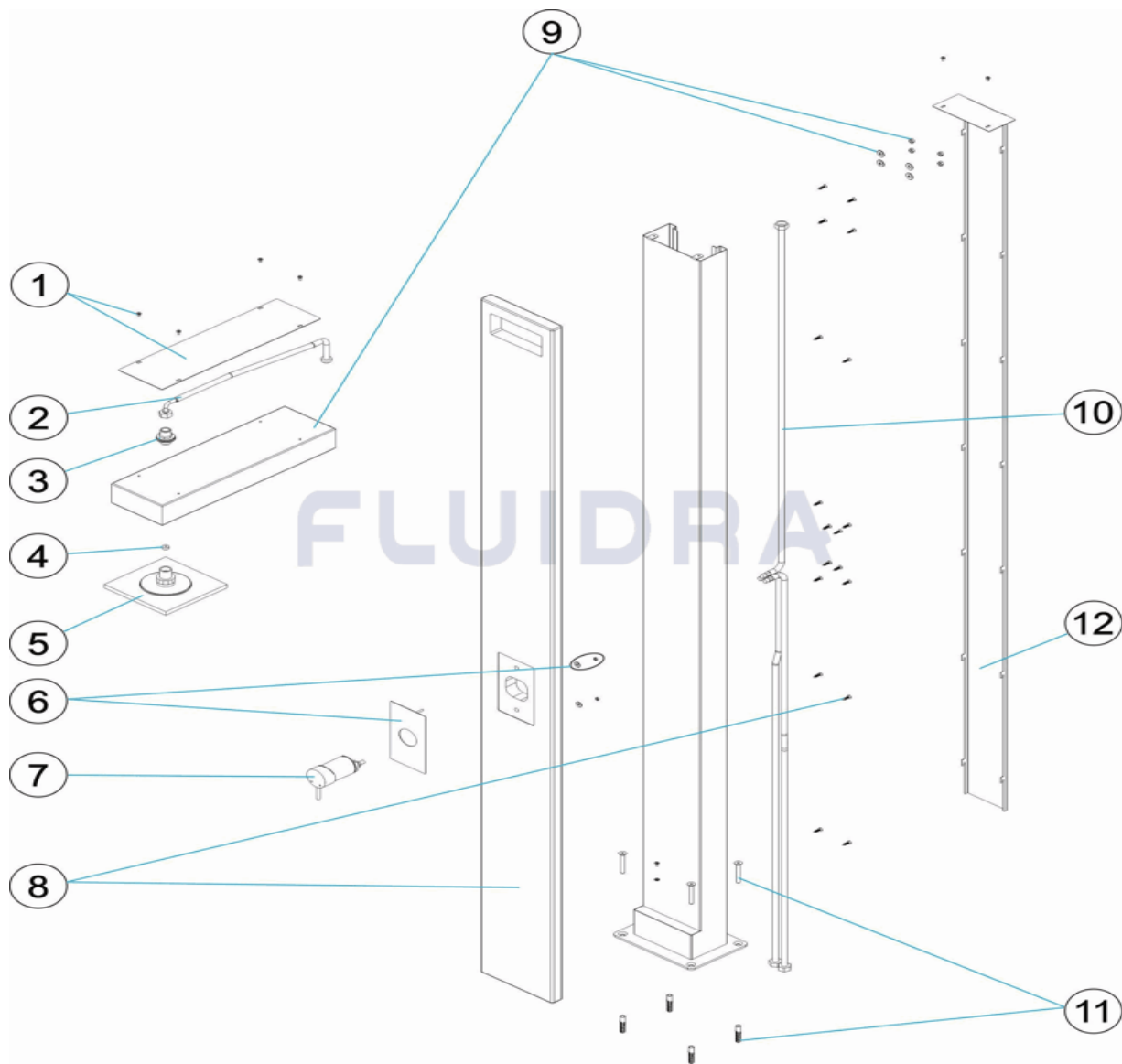


DEUTSCH

POS	CODE	BESCHREIBUNG	MENGE	POS	CODE	BESCHREIBUNG	MENGE
1	4401043209	ABDECKUNG ARM	7	4401043201	WASSERHAHN EINHANDHEBEL		
2	4401043206	SCHLAUCHLEITUNG 500 MM	8	4401043208	BLENDE HOLZ		
3	4401043205	WANDDURCHFÜHRUNG	9	4401043211	DUSCHARM		
4	4401043204	DURCHFLUSSDROSSLER	10	4401043618	SCHLAUCHLEITUNG 1/2" MUFFE UND M-10		
5	4401043203	DUSCHKOPF ORIENTIERBAR	11	4401043210	FIXIERUNG GEHÄUSE		
6	4401043606	BLENDE EINHANDHEBEL	12	43432R0200	ABDECKUNG HINTEN		

CODIGO **43432**

DESCRIÇÃO: **DUCHE PLUVIUM**



PORTUGUES

POS	CODIGO	DESCRIÇÃO	JANTIDADE	POS	CODIGO	DESCRIÇÃO	JANTIDADE
1	4401043209	TAMPA BRAÇO	7	4401043201	TORNEIRA MONOCOMANDO		
2	4401043206	TUBAGEM 500 M/M.	8	4401043208	EMBELEZADOR MADEIRA		
3	4401043205	PASSAMUROS	9	4401043211	BRAÇO DUCHE		
4	4401043204	LIMITADOR DE CAUDAL	10	4401043618	MANGA 1/2" FÊMEA + M-10 MACHO L = 130		
5	4401043203	PINHA ORIENTÁVEL	11	4401043210	FIXAÇÃO CORPO		
6	4401043606	ARO DECORATIVO MONOCOMANDO	12	43432R0200	TAMPA POSTERIOR		