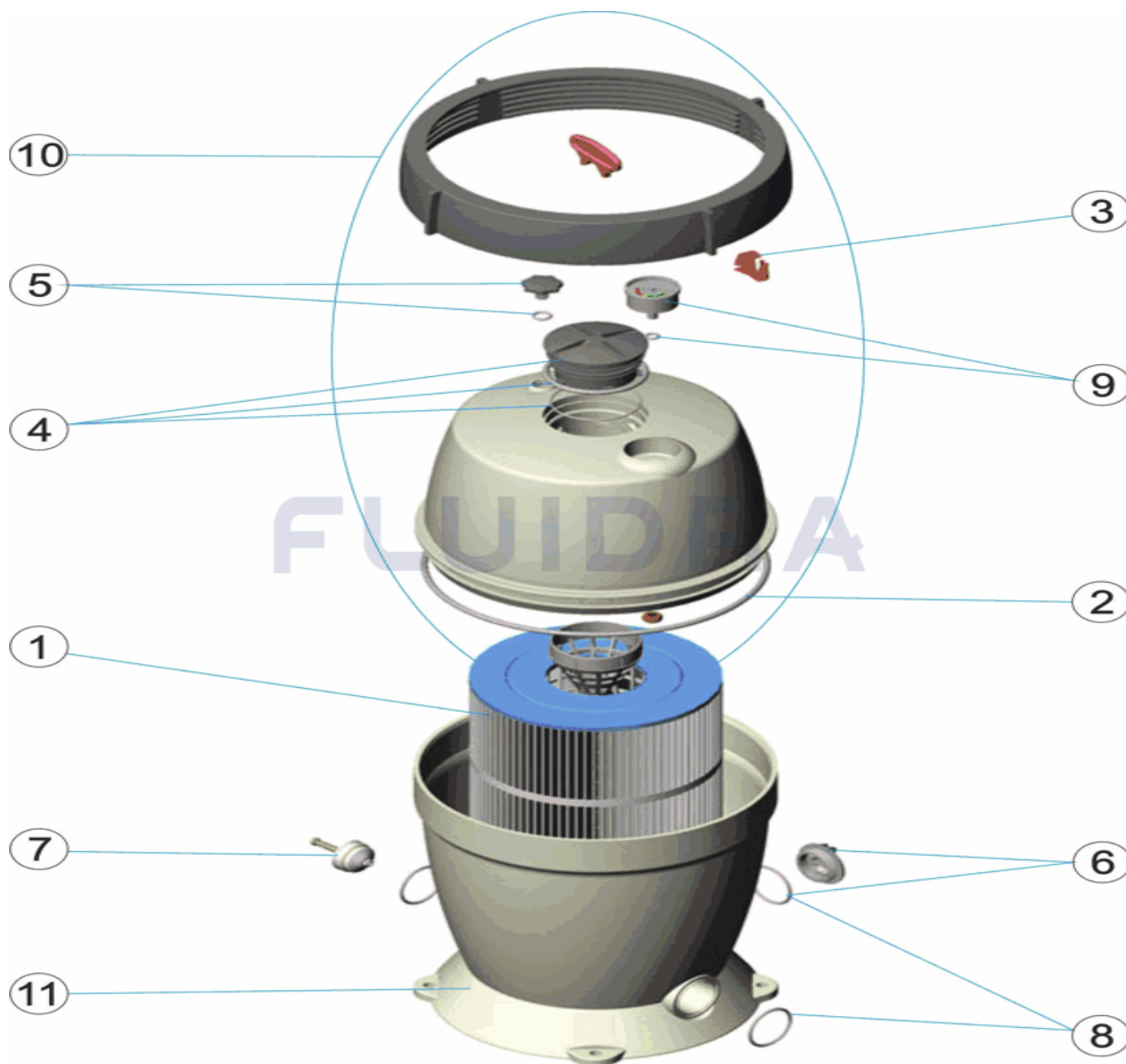


CODIGO 18216, 18217

DESCRIPCION: FILTRO CEL 40 Y 70 BSP



ESPAÑOL

POS	CODIGO	DESCRIPCION	CANTIDAD	POS	CODIGO	DESCRIPCION	CANTIDAD
1	* 4404210405	CARTUCHO FILTRACION CEL 40		7	4404210407	VALVULA ANTIRETORNO	
1	* 4404210406	CARTUCHO FILTRACION CEL 70		8	4404210408	JUNTA TORICA	
2	4404210302	JUNTA TORICA		9	4404210303	MANOMETRO DIATOMEAS	
3	4404210403	PALANCA DE SEGURIDAD		10	4404130412	TAPA ALTA FILTRO CARTUCHO	
4	4404210404	TAPON COMPLETO		11	* 18215R0001	CUERPO BAJO ABS	
5	4404210304	TAPON PURGA Y JUNTA		11	* 18111R0001	CUERPO ALTO BSP	
6	4404210309	TAPON VACIADO Y JUNTA					

CODIGO 18216, 18217

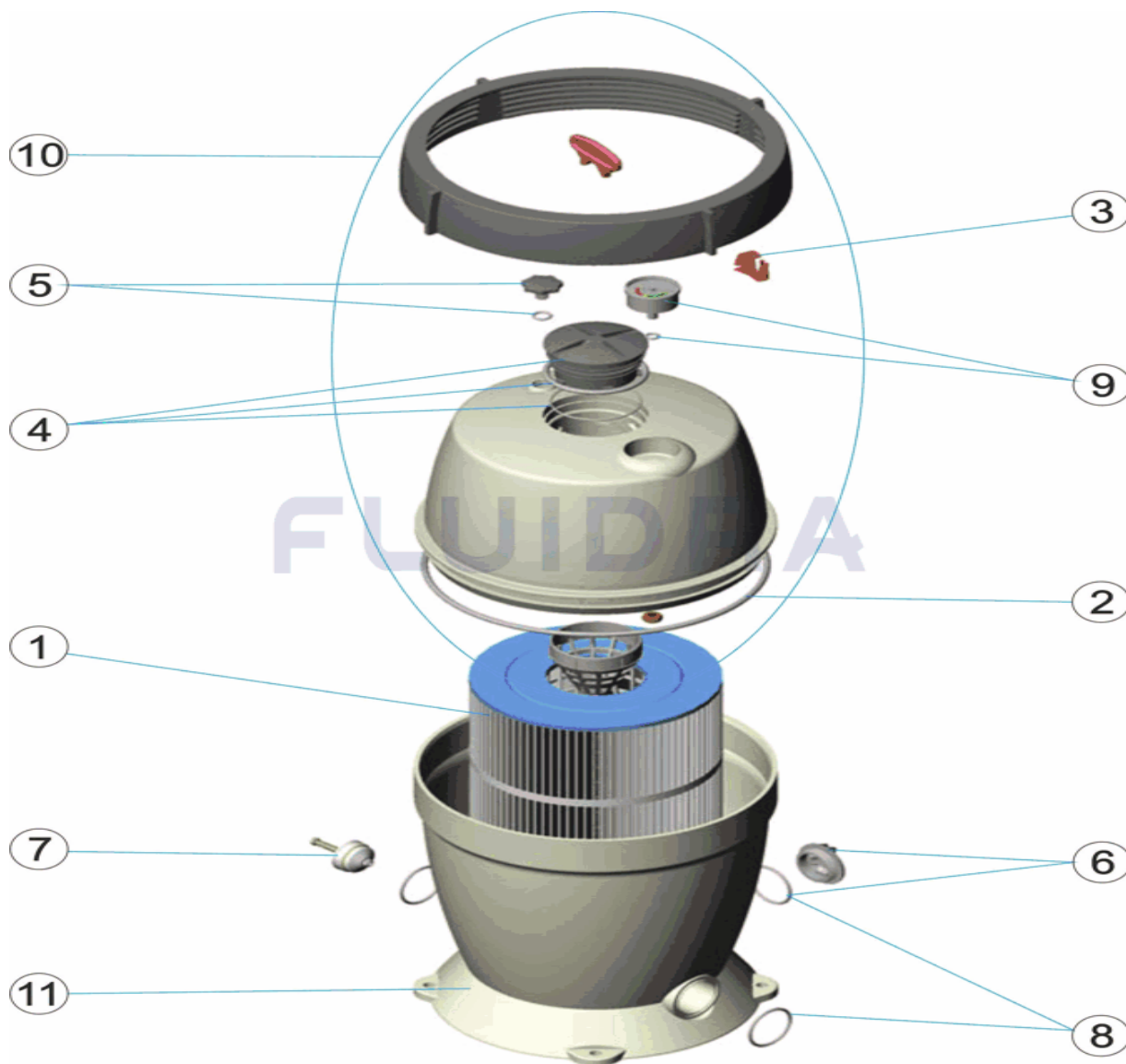
DESCRIPCION: FILTRO CEL 40 Y 70 BSP

OBSERVACIONES

POS	CODIGO	OBSERVACIONES
1	* 4404210405	PARA: 18216
1	* 4404210406	PARA: 18217
11	* 18215R0001	PARA: 18216
11	* 18111R0001	PARA: 18217

CODE 18216, 18217

DESCRIPTION: FILTRE CEL 40 ET 70 BSP



FRANCAIS

POS	CODE	DESCRIPTION	QUANTITE	POS	CODE	DESCRIPTION	QUANTITE
1	* 4404210405	CARTOUCHE DE FILTRE CEL 40		7	4404210407	VANNE ANTI-RETOUR	
1	* 4404210406	CARTOUCHE DE FILTRE CEL 70		8	4404210408	JOINT TORIQUE	
2	4404210302	JOINT TORIQUE		9	4404210303	MANOMETRE " DIATOMEA "	
3	4404210403	ECROU PLASTIQUE		10	4404130412	COUVERCLE SUPERIEUR DE FILTRE A CAF	
4	4404210404	BOUCHON COMPLET		11	* 18215R0001	PARTIE BASSE	
5	4404210304	BOUCHON PURGE ET JOINT		11	* 18111R0001	PARTIE HAUTE	
6	4404210309	BOUCHON DE VIDANGE ET JOINT					

CODE **18216, 18217**

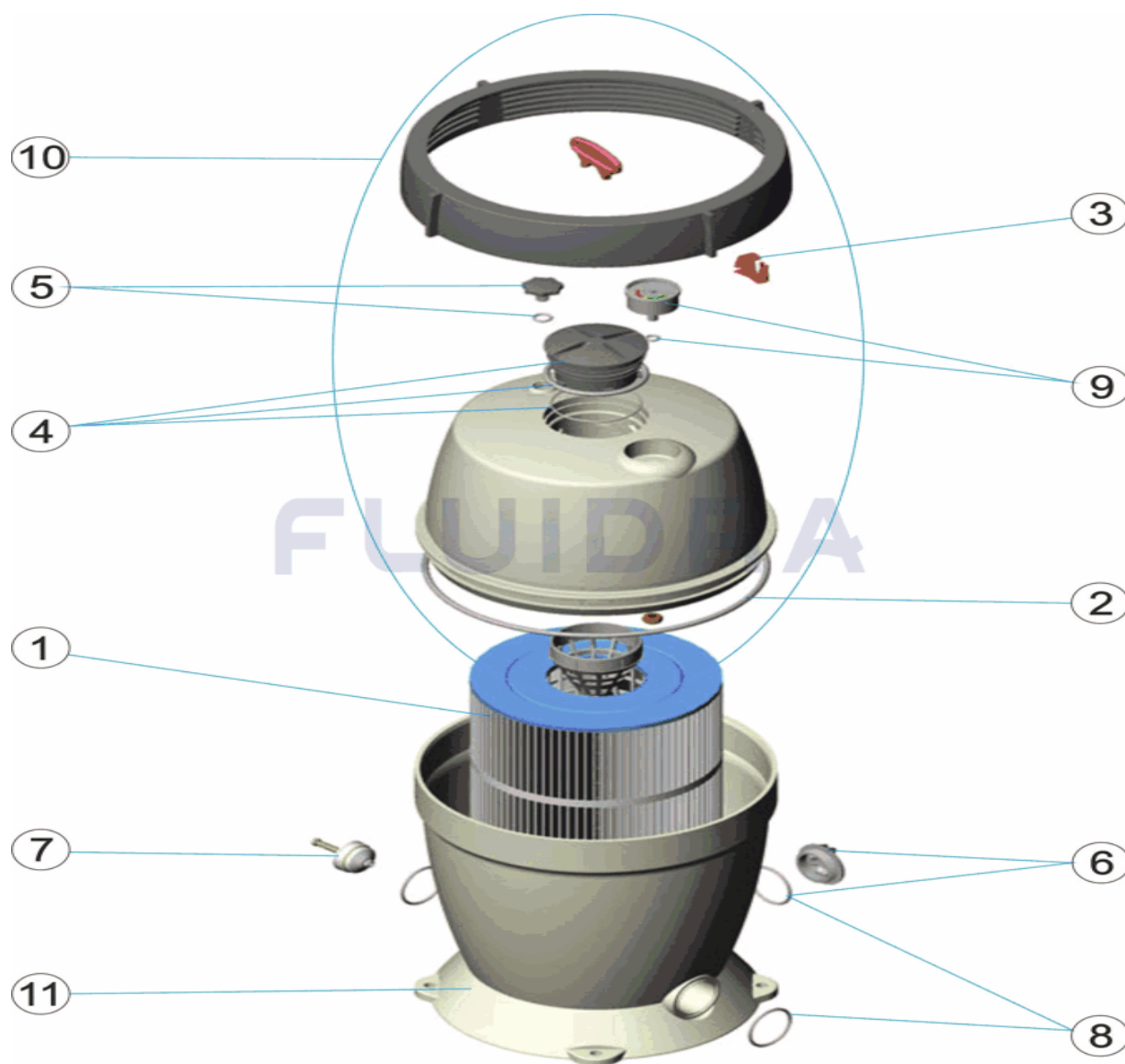
DESCRIPTION: **FILTRE CEL 40 ET 70 BSP**

OBSERVATIONS

POS	CODE	OBSERVATIONS
1	* 4404210405	POUR: 18216
1	* 4404210406	POUR: 18217
11	* 18215R0001	POUR: 18216
11	* 18111R0001	POUR: 18217

CODE 18216, 18217

DESCRIPTION: CEL FILTER 40 AND 70 BSP



ENGLISH

POS	CODE	DESCRIPTION	QUANTITY	POS	CODE	DESCRIPTION	QUANTITY
1	* 4404210405	CEL SERIES CARTRIDGE FILTER CEL 40		7	4404210407	CHECK VALVE	
1	* 4404210406	CEL SERIES CARTRIDGE FILTER CEL 70		8	4404210408	O' RING	
2	4404210302	O' RING		9	4404210303	PRESSURE GAUGE " DIATOMEA "	
3	4404210403	PLASTIC NUT		10	4404130412	CARTRIDGE FILTER HIGH LID	
4	4404210404	COMPLETE PLUG		11	* 18215R0001	LOW BODY	
5	4404210304	DRAIN PLUG AND GASKET		11	* 18111R0001	HIGH BODY	
6	4404210309	WASTE PLUG AND GASKET					

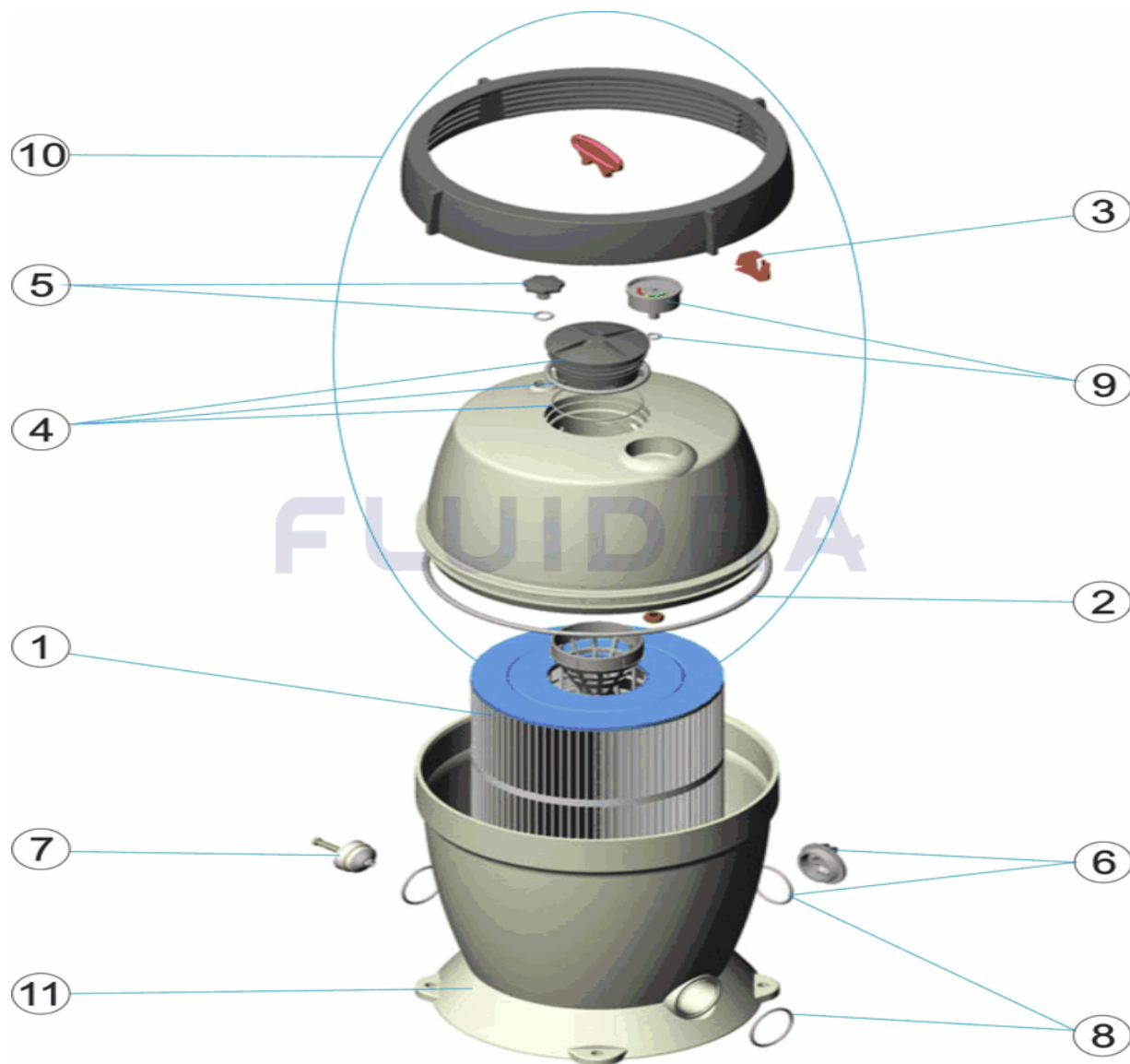
CODE **18216, 18217**

DESCRIPTION: **CEL FILTER 40 AND 70 BSP**

OBSERVATIONS

POS	CODE	OBSERVATIONS
1	* 4404210405	FOR: 18216
1	* 4404210406	FOR: 18217
11	* 18215R0001	FOR: 18216
11	* 18111R0001	FOR: 18217

CODICE **18216, 18217**

 DESCRIZIONE: **FILTRO CEL 40 E 70 BSP**

ITALIANO

POS	CODICE	DESCRIZIONE	QUANTITA'	POS	CODICE	DESCRIZIONE	QUANTITA'
1	* 4404210405	CARTUCCIA RICAMBIO PER FILTRO CEL 40		7	4404210407	VALVOLA ANTIRITORNO	
1	* 4404210406	CARTUCCIA RICAMBIO PER FILTRO CEL 70		8	4404210408	O-RING	
2	4404210302	O-RING		9	4404210303	MANOMETRO " DIATOMEA "	
3	4404210403	DADO DI PLASTICA		10	4404130412	COPERCHIO ALTO FILTRO CARTUCCIA	
4	4404210404	TAPPO COMPLETO		11	* 18215R0001	COPERCHIO BASSO FILTRO TERRA	
5	4404210304	TAPPO SPURGO E GUARNIZIONE		11	* 18111R0001	COPERCHIO ALTO FILTRO TERRA	
6	4404210309	TAPPO SVUOTAMENTO E GUARNIZIONE					

CODICE 18216, 18217

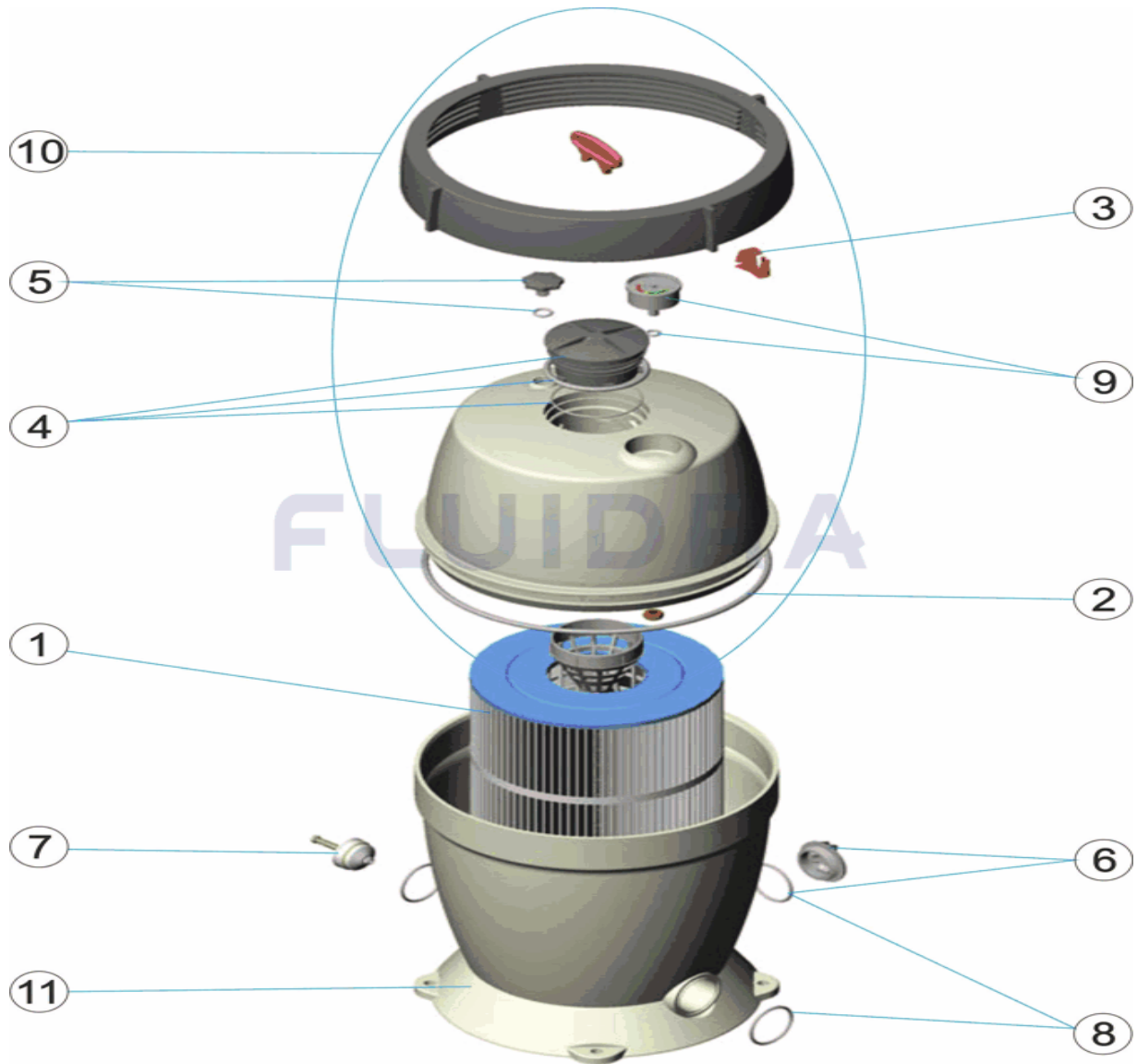
DESCRIZIONE: FILTRO CEL 40 E 70 BSP

OSSERVAZIONI

POS	CODICE	OSSERVAZIONI
1	* 4404210405	PER: 18216
1	* 4404210406	PER: 18217
11	* 18215R0001	PER: 18216
11	* 18111R0001	PER: 18217

CODE 18216, 18217

BESCHREIBUNG: FILTER CEL 40 UND 70 BSP



DEUTSCH

POS	CODE	BESCHREIBUNG	MENGE	POS	CODE	BESCHREIBUNG	MENGE
1	* 4404210405	FILTERKARTUSCHE CEL 40		7	4404210407	RÜCKSCHLAGVENTIL	
1	* 4404210406	FILTERKARTUSCHE CEL 70		8	4404210408	O-RING	
2	4404210302	O-RING		9	4404210303	MANOMETER DIATOMEAS	
3	4404210403	SICHERUNG		10	4404130412	ABDECKUNG OBEN KARTUSCHENFILTER	
4	4404210404	STOPFEN KOMPLETT		11	* 18215R0001	GEHÄUSE UNTEN ABS	
5	4404210304	ABLASSSTOPFEN UND DICHTUNG		11	* 18111R0001	GEHÄUSE HOCH BSP	
6	4404210309	ABLASSSTOPFEN UND DICHTUNG					

CODE **18216, 18217**

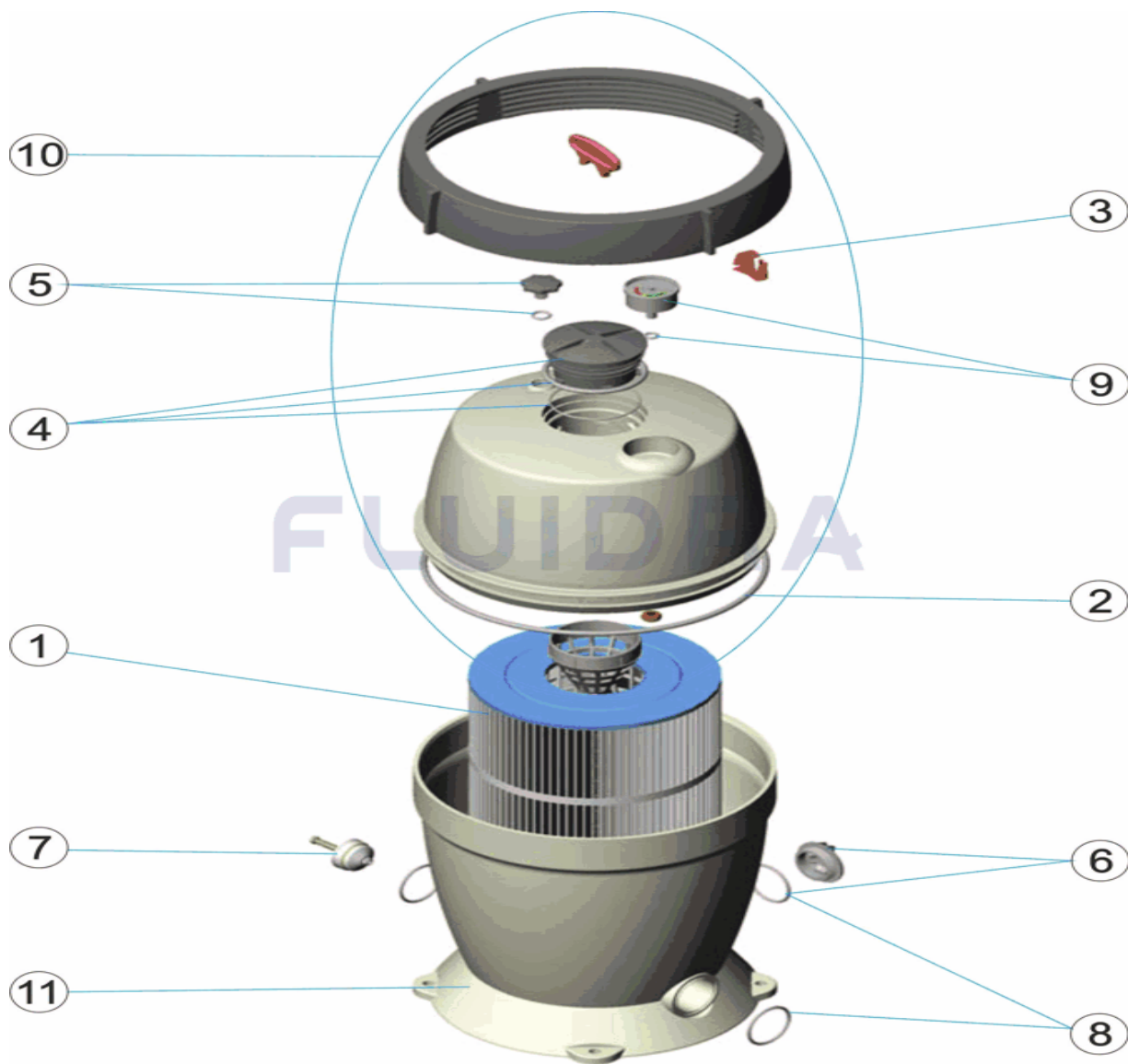
BESCHREIBUNG: **FILTER CEL 40 UND 70 BSP**

HINWEISE

POS	CODE	HINWEISE
1	* 4404210405	FÜR: 18216
1	* 4404210406	FÜR: 18217
11	* 18215R0001	FÜR: 18216
11	* 18111R0001	FÜR: 18217

CODIGO 18216, 18217

DESCRIÇÃO: FILTRO CEL 40 E 70 BSP



PORTUGUES

POS	CODIGO	DESCRIÇÃO	JANTIDADE	POS	CODIGO	DESCRIÇÃO	JANTIDADE
1	* 4404210405	CARTUCHO FILTRO CEL 40		7	4404210407	VÁLVULA ANTI-RETORNO	
1	* 4404210406	CARTUCHO FILTRO CEL 70		8	4404210408	JUNTA TÓRICA	
2	4404210302	JUNTA TÓRICA		9	4404210303	MANOMETRO " DIATOMEA "	
3	4404210403	PORCA PLÁSTICO		10	4404130412	TAMPA ALTA FILTRO CARTUCHO	
4	4404210404	TAMPÃO COMPLETO		11	* 18215R0001	CORPO BAJO	
5	4404210304	TAMPÃO PURGA E JUNTA		11	* 18111R0001	CORPO ALTO	
6	4404210309	TAMPÃO ESVAZIAMENTO E JUNTA					

CODIGO 18216, 18217

DESCRIÇÃO: FILTRO CEL 40 E 70 BSP

OBSERVACÕES

POS	CODIGO	OBSERVACÕES
1	* 4404210405	PARA: 18216
1	* 4404210406	PARA: 18217
11	* 18215R0001	PARA: 18216
11	* 18111R0001	PARA: 18217