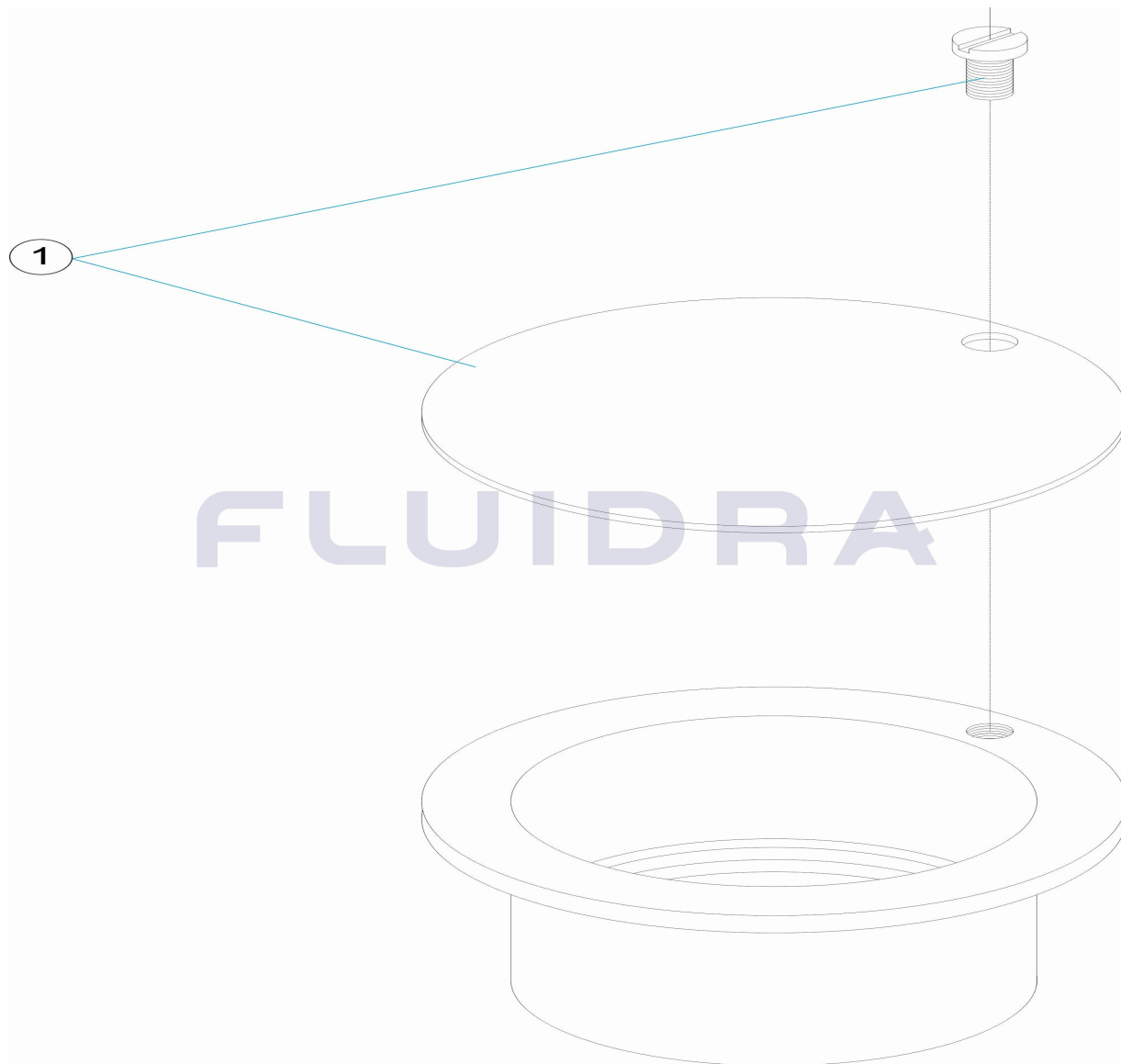


CODIGO **00314, 00315**

DESCRIPCION: **BOQUILLA ASPIRACION ROSCA INT. 1 1/2" 2" BRONC "**



ESPAÑOL

POS	CODIGO	DESCRIPCION	CANTIDAD	POS	CODIGO	DESCRIPCION	CANTIDAD
1	* 4402041301	TAPETA 1 1/2' BOQUILLA		1	* 4402041302	TAPETA 2' BOQUILLA	

CODIGO 00314, 00315

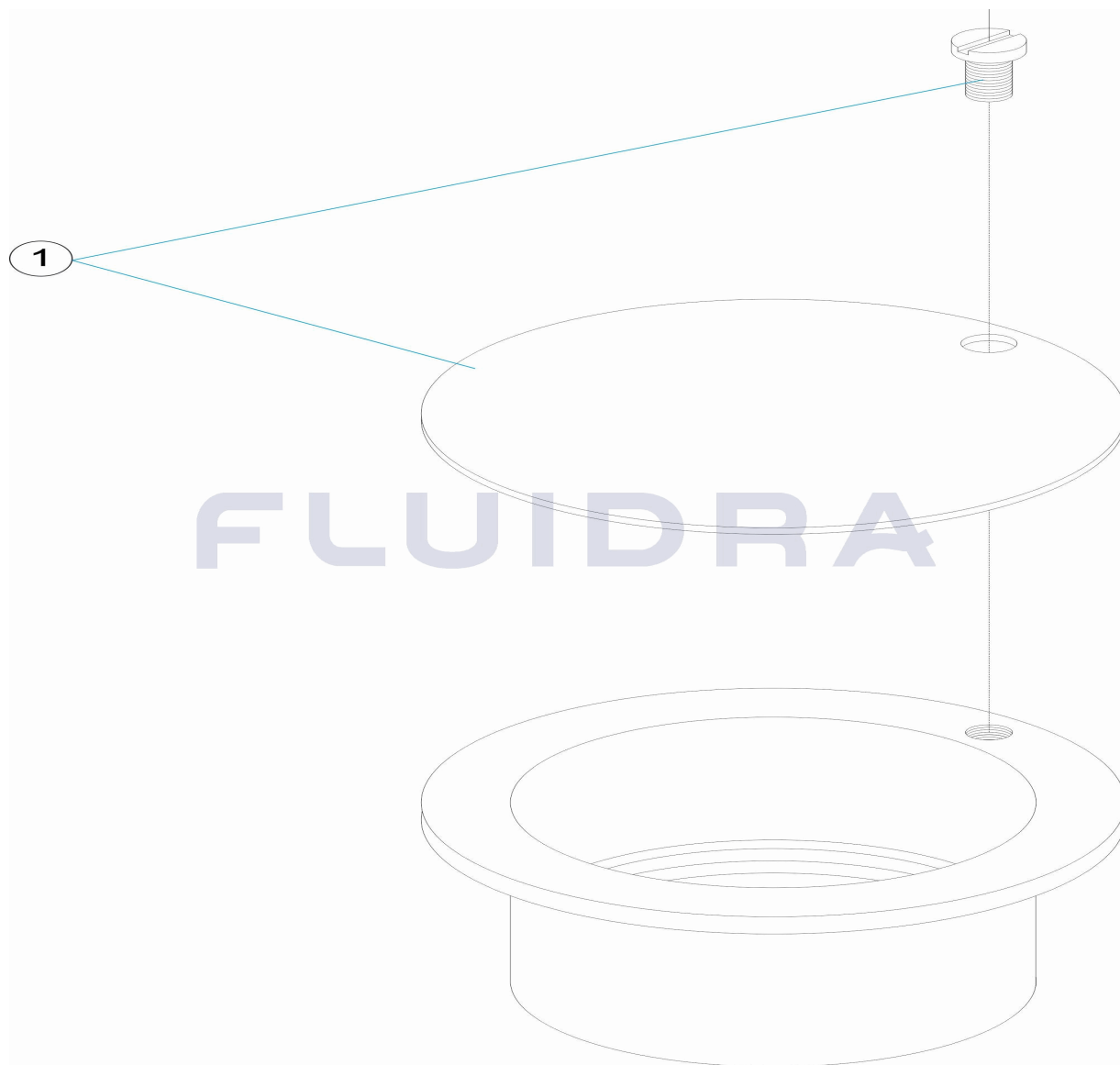
DESCRIPCION: BOQUILLA ASPIRACION ROSCA INT. 1 1/2" 2" BRONC "

OBSERVACIONES

POS	CODIGO	OBSERVACIONES
1	* 4402041301	PARA: 00314
1	* 4402041302	PARA: 00315

CODE **00314, 00315**

DESCRIPTION: **BOUCHE ASPIRATION VIS INT. 1 1/2" 2" 3" BRONZ "**



FRANCAIS

POS	CODE	DESCRIPTION	QUANTITE	POS	CODE	DESCRIPTION	QUANTITE
1	* 4402041301	VOLET DE FERMETURE BOUCHE 1 1/2'		1	* 4402041302	VOLET DE FERMETURE BOUCHE 2'	

CODE **00314, 00315**

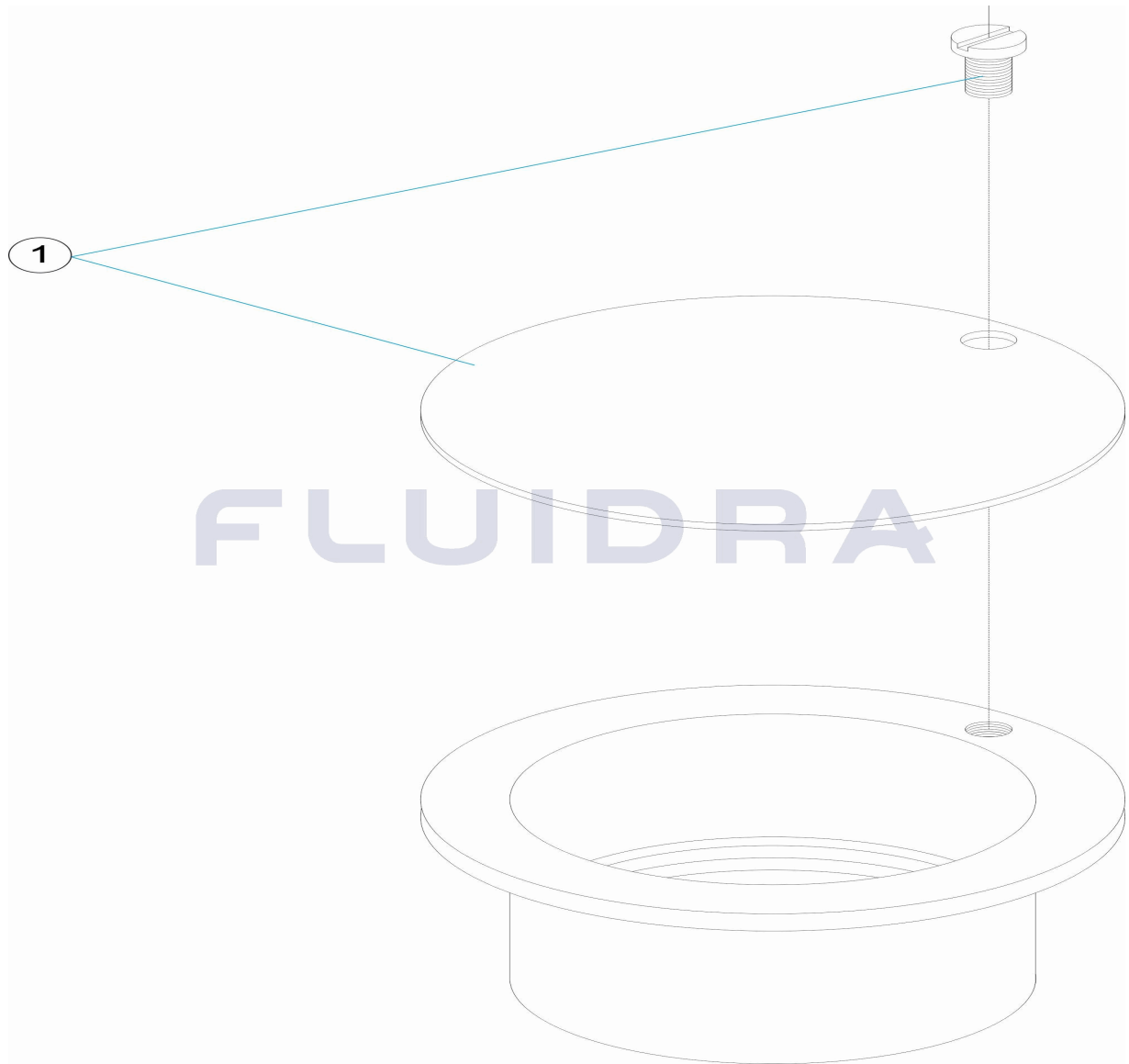
DESCRIPTION: **BOUCHE ASPIRATION VIS INT. 1 1/2" 2" 3" BRONZ "**

OBSERVATIONS

POS	CODE	OBSERVATIONS
1	* 4402041301	POUR: 00314
1	* 4402041302	POUR: 00315

CODE 00314, 00315

DESCRIPTION: SCREW-IN SUCTION NOZZLE INT. 1 1/2" 2" BRONZ "



ENGLISH

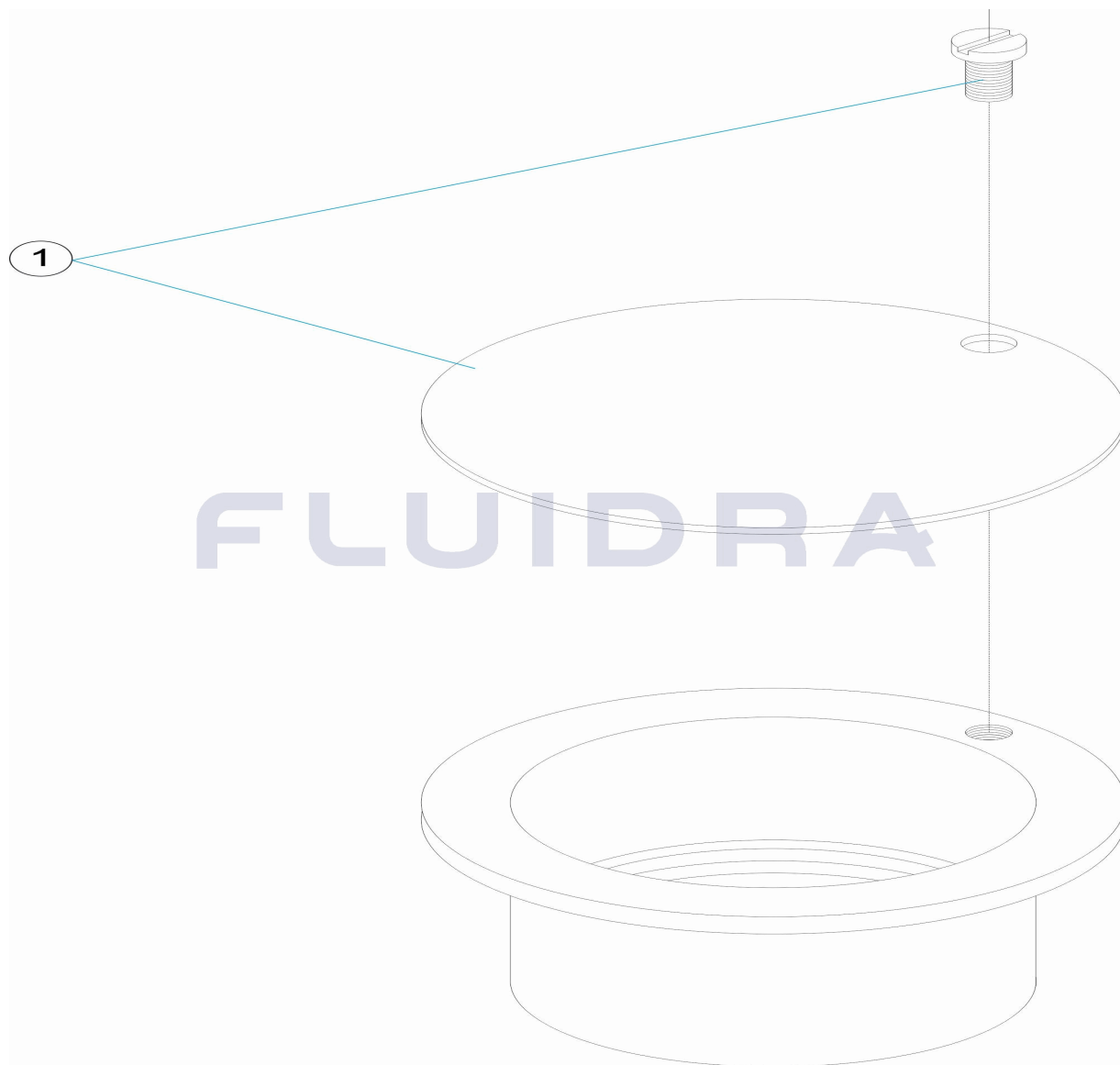
POS	CODE	DESCRIPTION	QUANTITY	POS	CODE	DESCRIPTION	QUANTITY
1	* 4402041301	1 1/2' COVER PLATE		1	* 4402041302	2' COVER PLATE	

CODE **00314, 00315**DESCRIPTION: **SCREW-IN SUCTION NOZZLE INT. 1 1/2" 2" BRONZ "****OBSERVATIONS**

POS	CODE	OBSERVATIONS
1	* 4402041301	FOR: 00314
1	* 4402041302	FOR: 00315

CODICE **00314, 00315**

DESCRIZIONE: **BOCCHETTA ASPIRAZIONE FILETTO INT. 1 1/2" 2" BRONZ "**



ITALIANO

POS	CODICE	DESCRIZIONE	QUANTITA'	POS	CODICE	DESCRIZIONE	QUANTITA'
1	* 4402041301	COPRIFLANGIA 1 1/2' BOCCHETTA		1	* 4402041302	COPRIFLANGIA 2' BOCCHETTA	

CODICE 00314, 00315

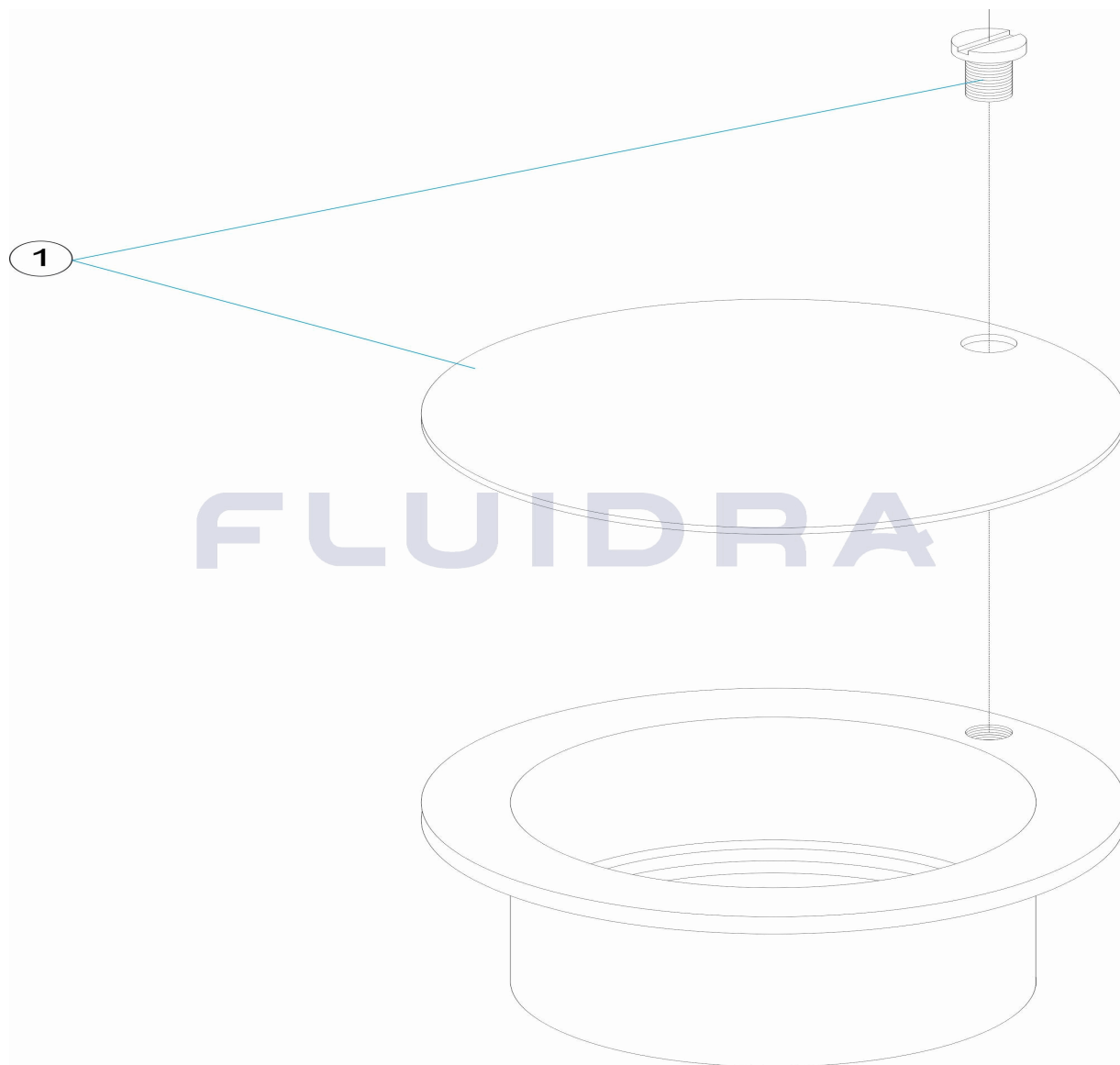
DESCRIZIONE: BOCCHETTA ASPIRAZIONE FILETTO INT. 1 1/2" 2" BRONZ "

OSSERVAZIONI

POS	CODICE	OSSERVAZIONI
1	* 4402041301	PER: 00314
1	* 4402041302	PER: 00315

CODE **00314, 00315**

BESCHREIBUNG: **ANSAUGDÜSE GEWINDE INT. 1 1/2" 2" BRONZ "**



DEUTSCH

POS	CODE	BESCHREIBUNG	MENGE	POS	CODE	BESCHREIBUNG	MENGE
1	* 4402041301	ABSCHLUSSPLATTE 1 1/2" DÜSE		1	* 4402041302	ABSCHLUSSPLATTE 2" DÜSE	

CODE **00314, 00315**

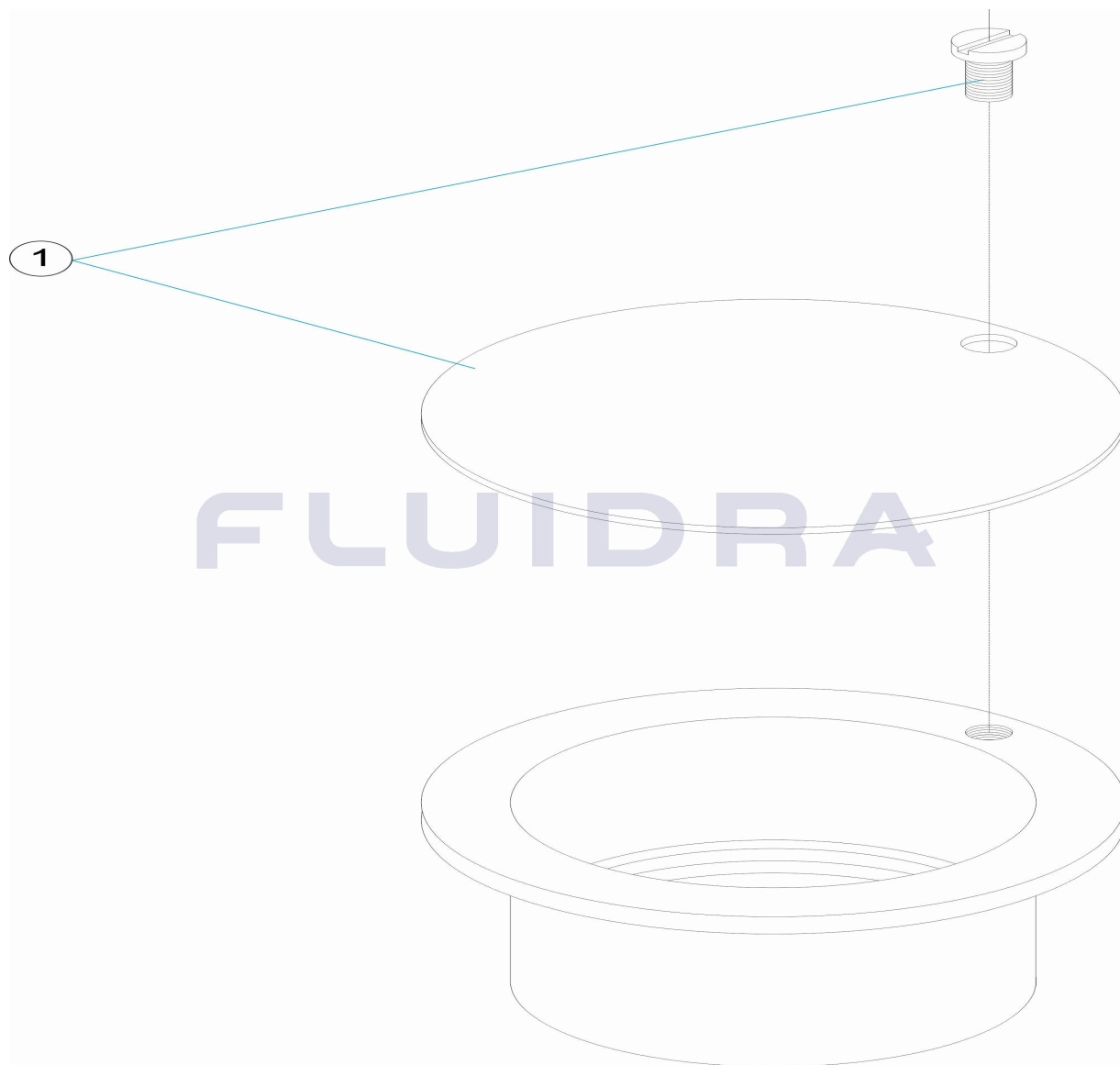
BESCHREIBUNG: **ANSAUGDÜSE GEWINDE INT. 1 1/2" 2" BRONZ "**

HINWEISE

POS	CODE	HINWEISE
1	* 4402041301	FÜR: 00314
1	* 4402041302	FÜR: 00315

CODIGO **00314, 00315**

DESCRIÇÃO: **BOQUILHA ASPIRAÇÃO ROSCA INT. 1 1/2" 2" BRONZ "**



PORTUGUES

POS	CODIGO	DESCRIÇÃO	JANTIDADE	POS	CODIGO	DESCRIÇÃO	JANTIDADE
1	* 4402041301	TAMPA 1 1/2' BOCA ASPIRAÇÃO		1	* 4402041302	TAMPA 2' BOCA ASPIRAÇÃO	

CODIGO 00314, 00315

DESCRIÇÃO: BOQUILHA ASPIRAÇÃO ROSCA INT. 1 1/2" 2" BRONZ "

OBSERVAÇÕES

POS	CODIGO	OBSERVAÇÕES
1	* 4402041301	PARA: 00314
1	* 4402041302	PARA: 00315