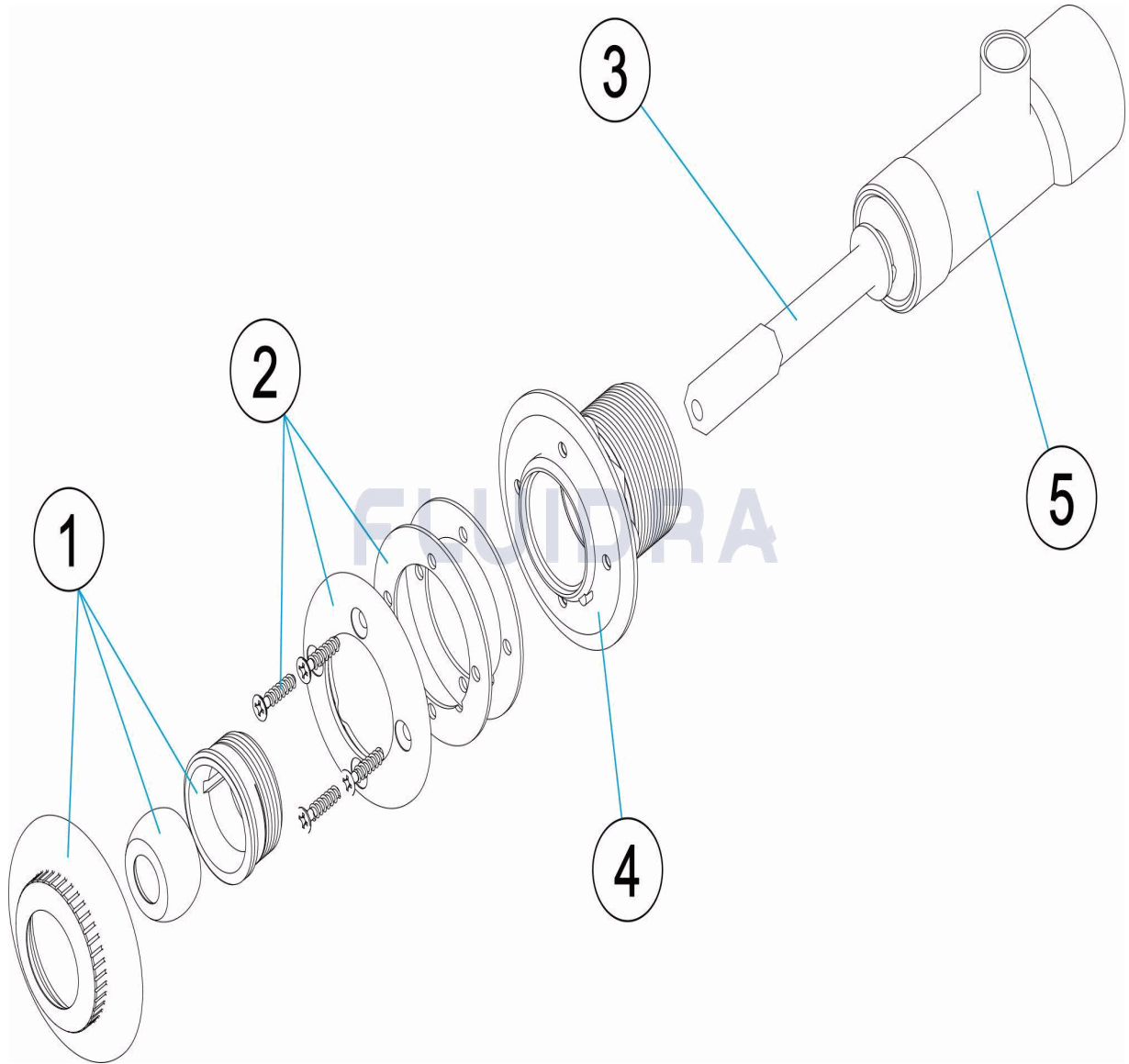


CODIGO 31443, 31443CL090, 31443CL129, 31443CL144, 32371, 32371CL090, 32371CL129, 32371CL144

DESCRIPCION: BOQUILLA MASAJE PISCINA HORMIGON LINER L-169 - 254 M/M.



ESPAÑOL

POS	CODIGO	DESCRIPCION	CANTIDAD	POS	CODIGO	DESCRIPCION	CANTIDAD
1	* 4402044801	BOLA COMPLETA		3	* 4402045102	VENTURI PASAMUROS L-169 M/M.	
1	* 4402040017	BOLA COMPLETA		3	* 4402045103	VENTURI PASAMUROS L-254 M/M.	
1	* 4402040019	BOLA COMPLETA		4	34411R0003	CUERPO BOQUILLA 100X54,5 LINER / INT. E	
1	* 4402040034	BOLA COMPLETA		5	* 31410R0001	CUERPO PASAMUROS L169MM ENCOLADC	
2	4402044802	ARO Y JUNTA PISC. PREF.		5	* 32370R0001	CUERPO VENTURI L-254M/M. ENCOLAR	

CODIGO **31443, 31443CL090, 31443CL129, 31443CL144, 32371, 32371CL090, 32371CL129, 32371CL144**

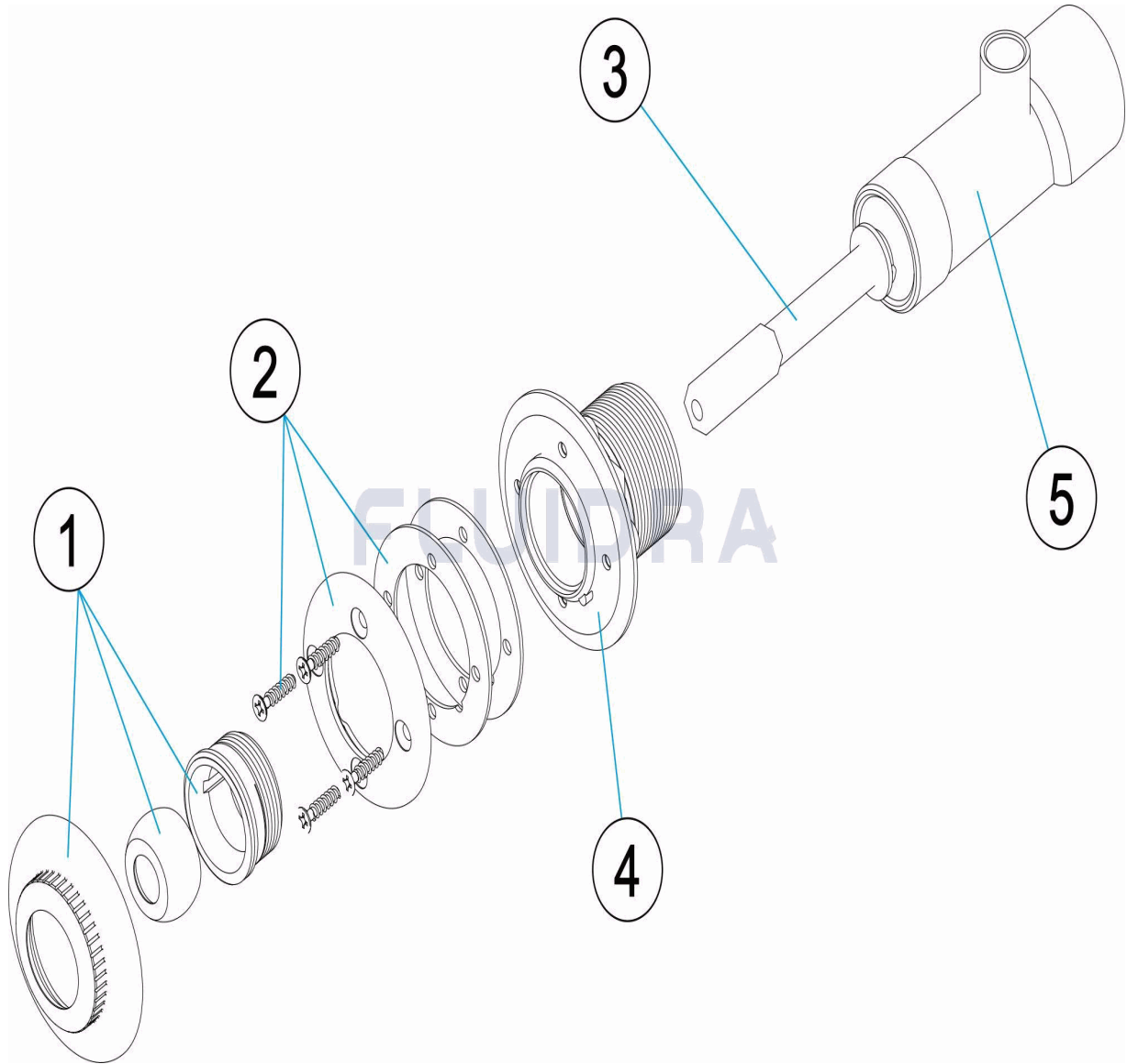
DESCRIPCION: BOQUILLA MASAJE PISCINA HORMIGON LINER L-169 - 254 M/M.

OBSERVACIONES

POS	CODIGO	OBSERVACIONES
1	* 4402044801	PARA: 31443, 32371 BLANCO / WHITE
1	* 4402040017	PARA: 31443CL090, 32371CL090 BEIGE
1	* 4402040019	PARA: 31443CL129, 32371CL129 GRIS / GREY
1	* 4402040034	PARA: 31443CL144, 32371CL144 ANTRACITA / ANTHRACITE
3	* 4402045102	PARA: 31443, 31443CL090, 31443CL129, 31443CL144
3	* 4402045103	PARA: 32371, 32371CL090, 32371CL129, 32371CL144
5	* 31410R0001	PARA: 31443, 31443CL090, 31443CL129, 31443CL144
5	* 32370R0001	PARA: 32371, 32371CL090, 32371CL129, 32371CL144

CODE **31443, 31443CL090, 31443CL129, 31443CL144, 32371, 32371CL090, 32371CL129, 32371CL144**

DESCRIPTION: **JET MASSAGE PISCINE BÉTON LINER L-169 - 254 M/M.**



FRANCAIS

POS	CODE	DESCRIPTION	QUANTITE	POS	CODE	DESCRIPTION	QUANTITE
1	* 4402044801	ENSEMBLE ROTULE COMPLET		3	* 4402045102	TRAVERSÉES DE PAROI VENTURI L-169 M/	
1	* 4402040017	ENSEMBLE ROTULE COMPLET		3	* 4402045103	TRAVERSÉES DE PAROI VENTURI L-254 M/	
1	* 4402040019	ENSEMBLE ROTULE COMPLET		4	34411R0003	CORPS BUSE 100X54,5 / LINER / INT. COLL	
1	* 4402040034	ENSEMBLE ROTULE COMPLET		5	* 31410R0001	CORPS TRAVERSEE DE PAROI A COLLER L	
2	4402044802	JOINT ET BRIDE POUR LINER		5	* 32370R0001	CORPS TRAVERSEE DE PAROI A COLLER L	

CODE **31443, 31443CL090, 31443CL129, 31443CL144, 32371, 32371CL090, 32371CL129, 32371CL144**

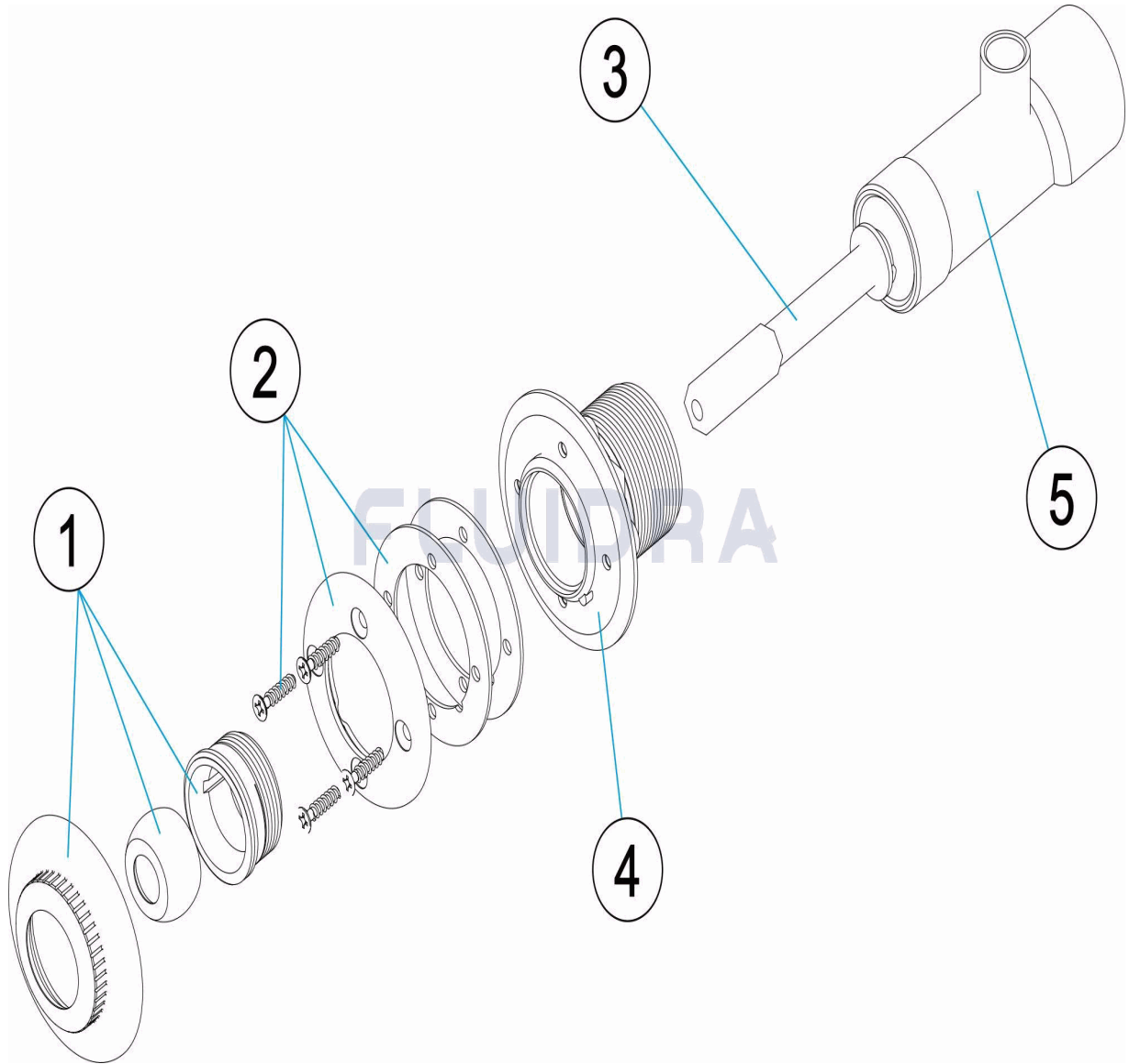
DESCRIPTION: **JET MASSAGE PISCINE BÉTON LINER L-169 - 254 M/M.**

OBSERVATIONS

POS	CODE	OBSERVATIONS
1	* 4402044801	POUR: 31443, 32371 BLANCO / WHITE
1	* 4402040017	POUR: 31443CL090, 32371CL090 BEIGE
1	* 4402040019	POUR: 31443CL129, 32371CL129 GRIS / GREY
1	* 4402040034	POUR: 31443CL144, 32371CL144 ANTRACITA / ANTHRACITE
3	* 4402045102	POUR: 31443, 31443CL090, 31443CL129, 31443CL144
3	* 4402045103	POUR: 32371, 32371CL090, 32371CL129, 32371CL144
5	* 31410R0001	POUR: 31443, 31443CL090, 31443CL129, 31443CL144
5	* 32370R0001	POUR: 32371, 32371CL090, 32371CL129, 32371CL144

CODE **31443, 31443CL090, 31443CL129, 31443CL144, 32371, 32371CL090, 32371CL129, 32371CL144**

DESCRIPTION: **MESSAGE NOZZLES CONCRETE POOL LINER L - 169 - 254 M/M**



ENGLISH

POS	CODE	DESCRIPTION	QUANTITY	POS	CODE	DESCRIPTION	QUANTITY
1	* 4402044801	EYEBALL ASSEMBLY		3	* 4402045102	VENTRUI WALL CONDUIT L-169 MM	
1	* 4402040017	EYEBALL ASSEMBLY		3	* 4402045103	VENTRUI WALL CONDUIT L-254 MM	
1	* 4402040019	EYEBALL ASSEMBLY		4	34411R0003	100X54.5 NOZZLE BODY/LINER/INT.SOLVE	
1	* 4402040034	EYEBALL ASSEMBLY		5	* 31410R0001	L169MM. SOLVENT-WELDED WALL CONDU	
2	4402044802	RING AND GASKET FOR LINER POOLS		5	* 32370R0001	L254MM VENTURI BODY. SOLVENT-WELD	

CODE **31443, 31443CL090, 31443CL129, 31443CL144, 32371, 32371CL090, 32371CL129, 32371CL144**

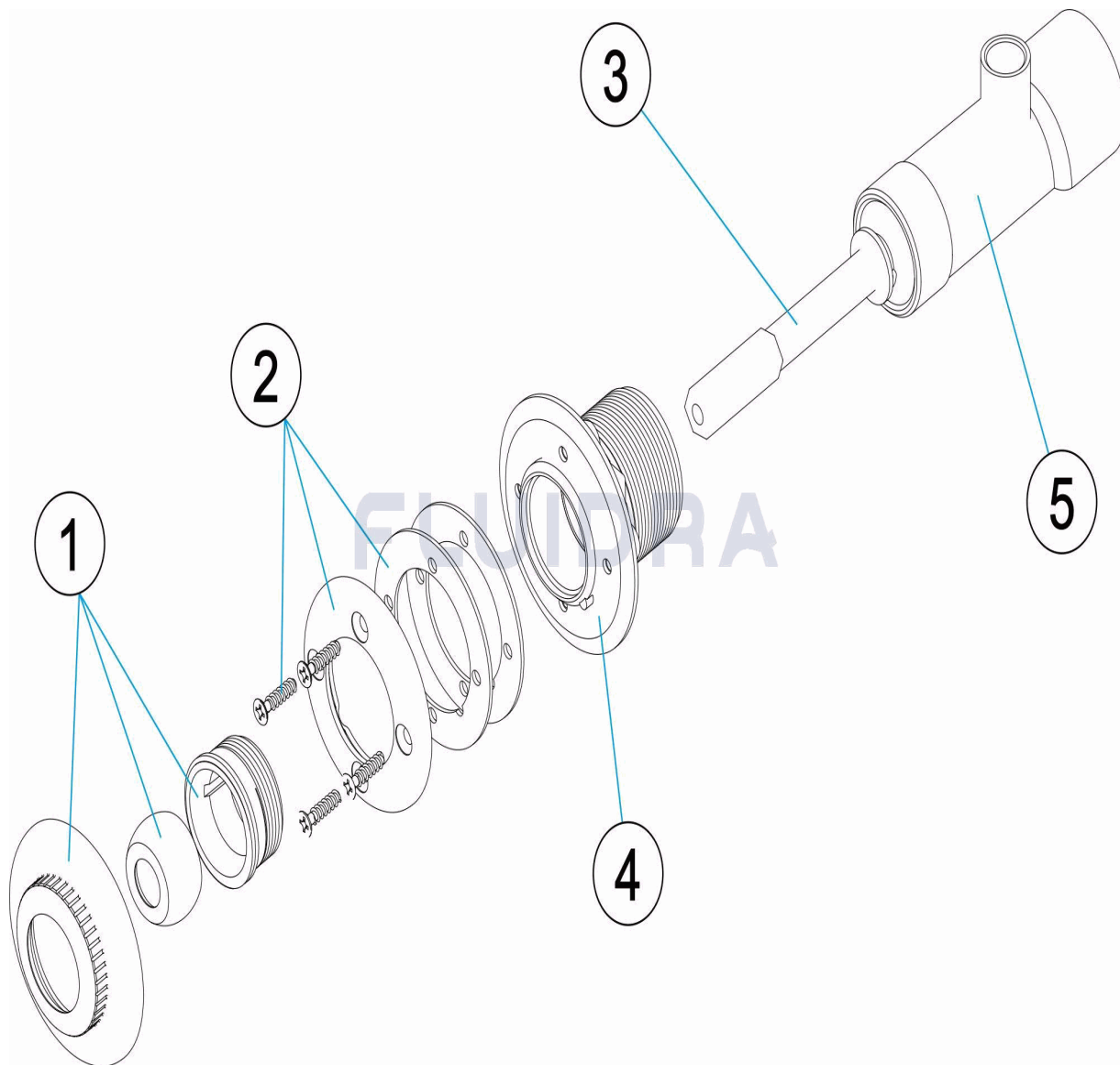
DESCRIPTION: **MESSAGE NOZZLES CONCRETE POOL LINER L - 169 - 254 M/M**

OBSERVATIONS

POS	CODE	OBSERVATIONS
1	* 4402044801	FOR: 31443, 32371 BLANCO / WHITE
1	* 4402040017	FOR: 31443CL090, 32371CL090 BEIGE
1	* 4402040019	FOR: 31443CL129, 32371CL129 GRIS / GREY
1	* 4402040034	FOR: 31443CL144, 32371CL144 ANTRACITA / ANTHRACITE
3	* 4402045102	FOR: 31443, 31443CL090, 31443CL129, 31443CL144
3	* 4402045103	FOR: 32371, 32371CL090, 32371CL129, 32371CL144
5	* 31410R0001	FOR: 31443, 31443CL090, 31443CL129, 31443CL144
5	* 32370R0001	FOR: 32371, 32371CL090, 32371CL129, 32371CL144

CODICE 31443, 31443CL090, 31443CL129, 31443CL144, 32371, 32371CL090, 32371CL129, 32371CL144

DESCRIZIONE: BOCCHETTA MASSAGGI PISCINA CEMENTO LINER L-169 - 254 M/M



ITALIANO

POS	CODICE	DESCRIZIONE	QUANTITA'	POS	CODICE	DESCRIZIONE	QUANTITA'
1	* 4402044801	SFERA COMPLETA		3	* 4402045102	PASSANTE A MURO CON SISTEMA VENTUF	
1	* 4402040017	SFERA COMPLETA		3	* 4402045103	PASSANTE A MURO CON SISTEMA VENTUF	
1	* 4402040019	SFERA COMPLETA		4	34411R0003	CORPO BOCCHETTA 100X54,5/LINER/INT. II	
1	* 4402040034	SFERA COMPLETA		5	* 31410R0001	CORPO PASSAMURO L169MM INCOLLATO	
2	4402044802	COPRIFLANGIA E GUARNIZIONE PISC. PRI		5	* 32370R0001	CORPO VENTURI L-254M/M. INCOLLARE	

CODICE **31443, 31443CL090, 31443CL129, 31443CL144, 32371, 32371CL090, 32371CL129, 32371CL144**

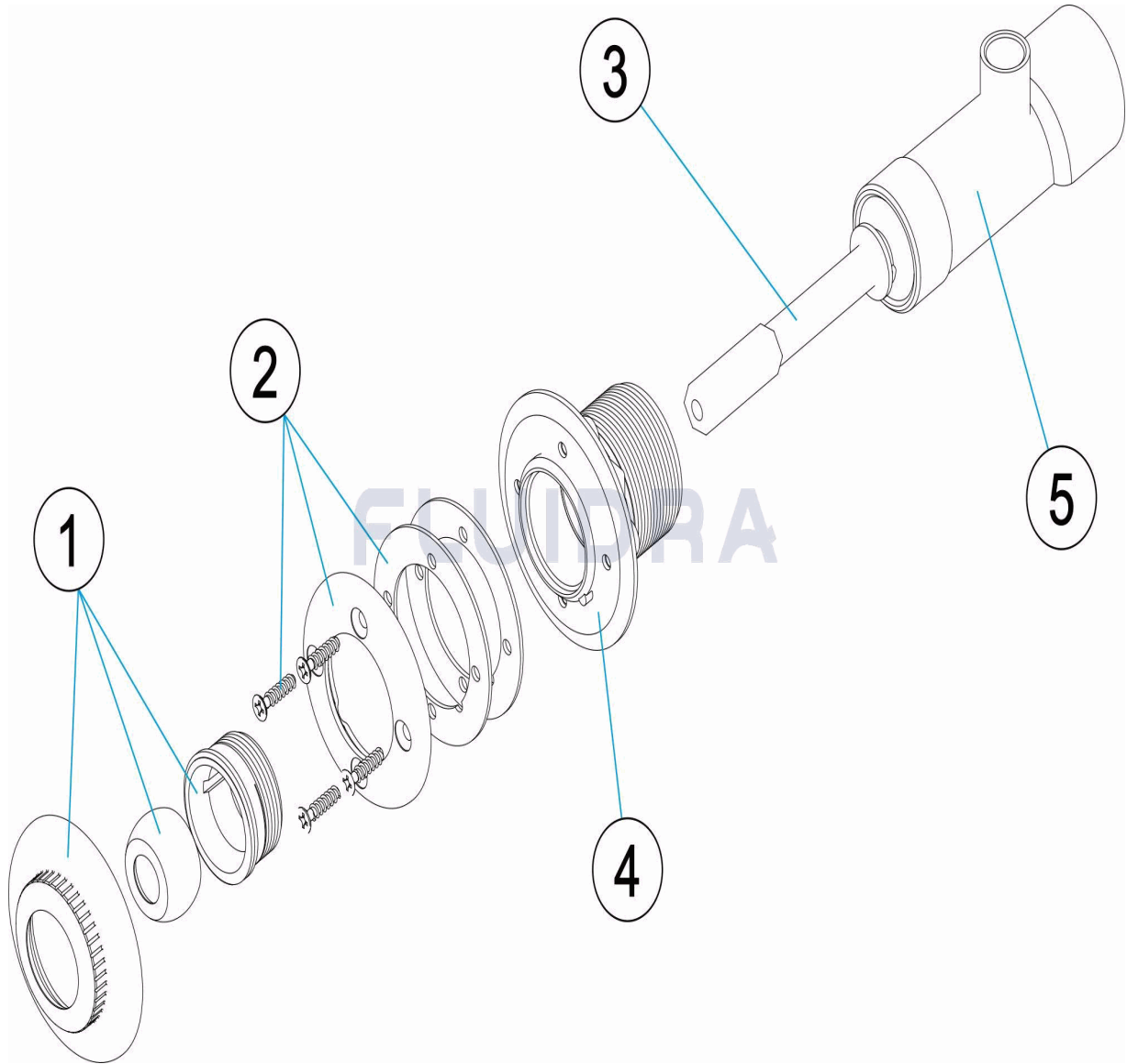
DESCRIZIONE: BOCCHETTA MASSAGGI PISCINA CEMENTO LINER L-169 - 254 M/M

OSSERVAZIONI

POS	CODICE	OSSERVAZIONI
1	* 4402044801	PER: 31443, 32371 BLANCO / WHITE
1	* 4402040017	PER: 31443CL090, 32371CL090 BEIGE
1	* 4402040019	PER: 31443CL129, 32371CL129 GRIS / GREY
1	* 4402040034	PER: 31443CL144, 32371CL144 ANTRACITA / ANTHRACITE
3	* 4402045102	PER: 31443, 31443CL090, 31443CL129, 31443CL144
3	* 4402045103	PER: 32371, 32371CL090, 32371CL129, 32371CL144
5	* 31410R0001	PER: 31443, 31443CL090, 31443CL129, 31443CL144
5	* 32370R0001	PER: 32371, 32371CL090, 32371CL129, 32371CL144

CODE **31443, 31443CL090, 31443CL129, 31443CL144, 32371, 32371CL090, 32371CL129, 32371CL144**

BESCHREIBUNG: **MASSAGEDÜSE BETONBECKEN FOLIE L-169 - 254 M/M**



DEUTSCH

POS	CODE	BESCHREIBUNG	MENGE	POS	CODE	BESCHREIBUNG	MENGE
1	* 4402044801	KUGEL KOMPLETT		3	* 4402045102	VENTURI WANDDURCHFÜHRUNG L - 169 M	
1	* 4402040017	KUGEL KOMPLETT		3	* 4402045103	VENTURI WANDDURCHFÜHRUNG L - 254 M	
1	* 4402040019	KUGEL KOMPLETT		4	34411R0003	GEHÄUSE DÜSE 100 X 54,5 FOLIE / INT. ZU	
1	* 4402040034	KUGEL KOMPLETT		5	* 31410R0001	GEHÄUSE WANDDURCHFÜHRUNG L=169 M	
2	4402044802	RING UND DICHTUNG FERTIGBECKEN		5	* 32370R0001	GEHÄUSE VENTURI L - 254 MM ZUM KLEBE	

CODE **31443, 31443CL090, 31443CL129, 31443CL144, 32371, 32371CL090,**
 32371CL129, 32371CL144

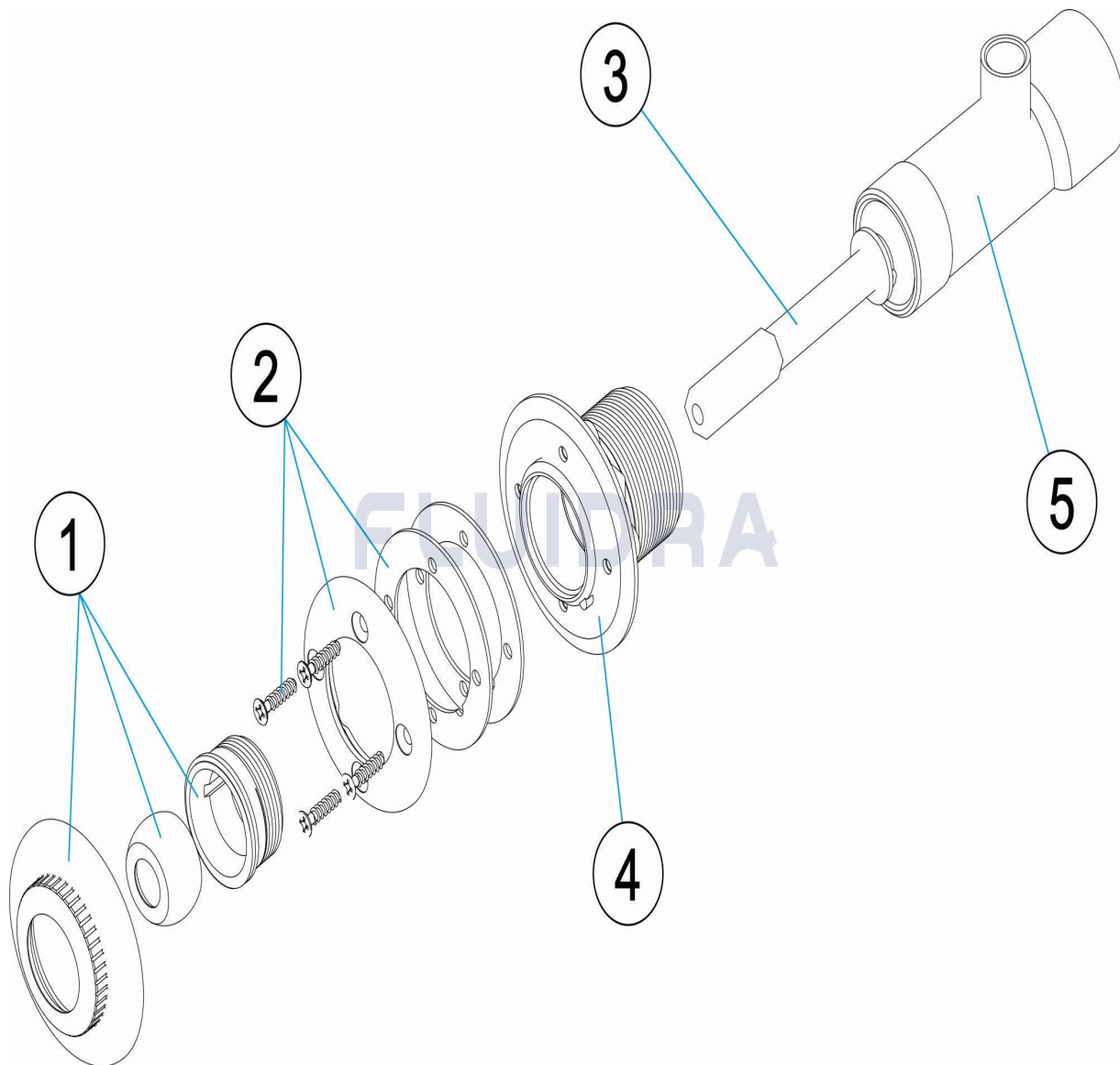
BESCHREIBUNG: MASSAGEDÜSE BETONBECKEN FOLIE L-169 - 254 M/M

HINWEISE

POS	CODE	HINWEISE
1	* 4402044801	FÜR: 31443, 32371 BLANCO / WHITE
1	* 4402040017	FÜR: 31443CL090, 32371CL090 BEIGE
1	* 4402040019	FÜR: 31443CL129, 32371CL129 GRIS / GREY
1	* 4402040034	FÜR: 31443CL144, 32371CL144 ANTRACITA / ANTHRACITE
3	* 4402045102	FÜR: 31443, 31443CL090, 31443CL129, 31443CL144
3	* 4402045103	FÜR: 32371, 32371CL090, 32371CL129, 32371CL144
5	* 31410R0001	FÜR: 31443, 31443CL090, 31443CL129, 31443CL144
5	* 32370R0001	FÜR: 32371, 32371CL090, 32371CL129, 32371CL144

CODIGO 31443, 31443CL090, 31443CL129, 31443CL144, 32371, 32371CL090, 32371CL129, 32371CL144

DESCRIÇÃO: BOQUILHA MASSAGEM PISCINA BETÃO LINER L- 169 - 254 M/M.



PORTUGUES

POS	CODIGO	DESCRIÇÃO	JANTIDADE	POS	CODIGO	DESCRIÇÃO	JANTIDADE
1	* 4402044801	BOLA MULTIFLOW COMPLETA		3	* 4402045102	VENTURI PASAMUROS L-169 M/M.	
1	* 4402040017	BOLA MULTIFLOW COMPLETA		3	* 4402045103	VENTURI PASAMUROS L-254 M/M.	
1	* 4402040019	BOLA MULTIFLOW COMPLETA		4	34411R0003	PEÇA BOCAL 100X54,5/LINER/INT. COLÁVE	
1	* 4402040034	BOLA MULTIFLOW COMPLETA		5	* 31410R0001	PEÇA CONDUTA ISOLANTE L169MM COLAC	
2	4402044802	ARO E JUNTA PISCINA PRE-FABRICADA		5	* 32370R0001	PEÇA VENTURI L-254M/M. COLÁVEL	

CODIGO **31443, 31443CL090, 31443CL129, 31443CL144, 32371, 32371CL090, 32371CL129, 32371CL144**

DESCRIÇÃO: BOQUILHA MASSAGEM PISCINA BETÃO LINER L- 169 - 254 M/M.

OBSERVAÇÕES

POS	CODIGO	OBSERVAÇÕES
1	* 4402044801	PARA: 31443, 32371 BLANCO / WHITE
1	* 4402040017	PARA: 31443CL090, 32371CL090 BEIGE
1	* 4402040019	PARA: 31443CL129, 32371CL129 GRIS / GREY
1	* 4402040034	PARA: 31443CL144, 32371CL144 ANTRACITA / ANTHRACITE
3	* 4402045102	PARA: 31443, 31443CL090, 31443CL129, 31443CL144
3	* 4402045103	PARA: 32371, 32371CL090, 32371CL129, 32371CL144
5	* 31410R0001	PARA: 31443, 31443CL090, 31443CL129, 31443CL144
5	* 32370R0001	PARA: 32371, 32371CL090, 32371CL129, 32371CL144