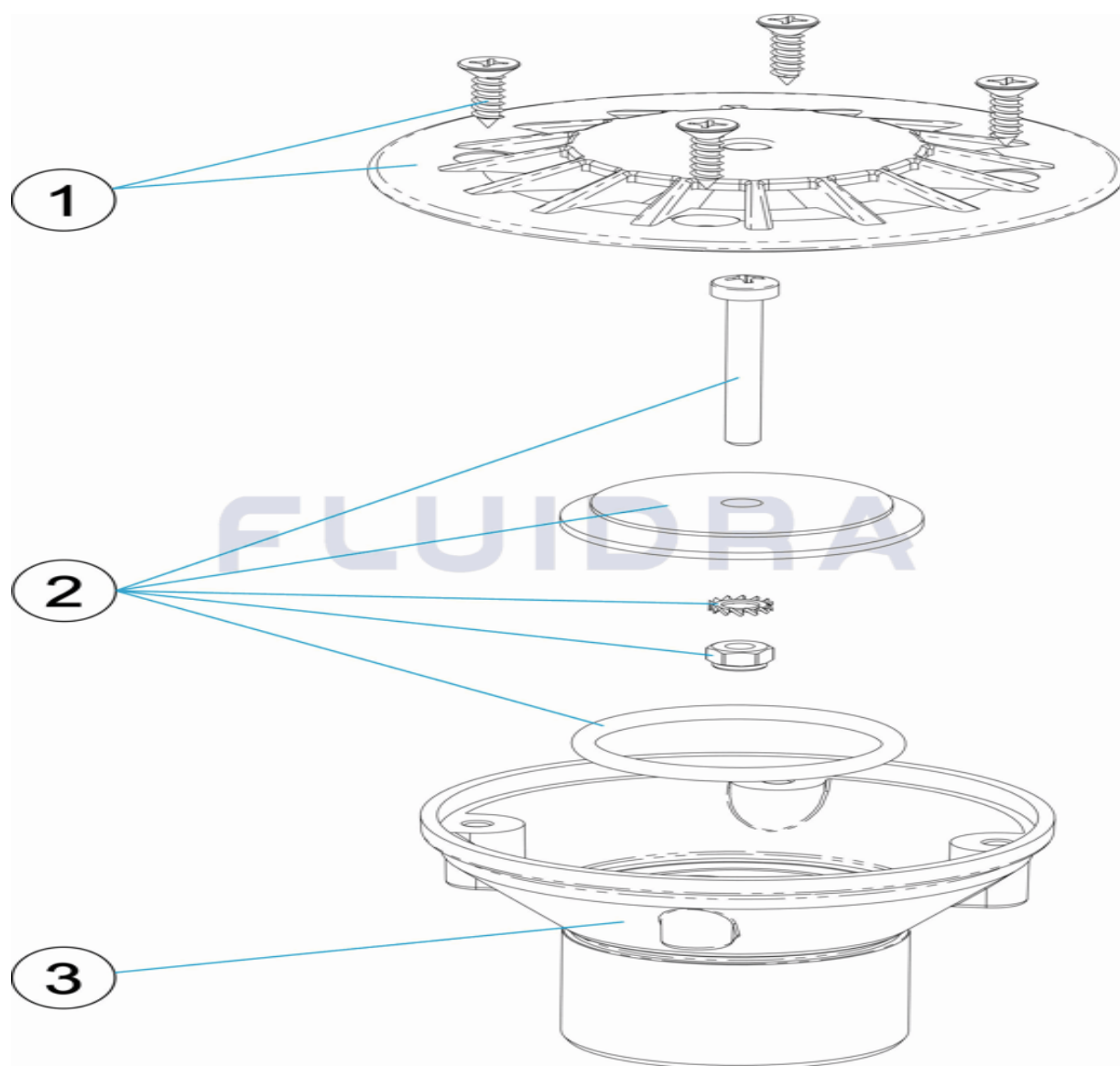


CODIGO 00303, 00303CL090, 00303CL129, 00303CL144

DESCRIPCION: BOQUILLA DE FONDO PISCINA HORMIGON



ESPAÑOL

POS	CODIGO	DESCRIPCION	CANTIDAD	POS	CODIGO	DESCRIPCION	CANTIDAD
1	* 4402040802	TAPETA SUPERIOR BOQUILLA		1	* 4402040062	TAPETA SUPERIOR BOQUILLA	
1	* 4402040060	TAPETA SUPERIOR BOQUILLA		2	4402040801	TAPETA REGULADORA BOQUILLA	
1	* 4402040061	TAPETA SUPERIOR BOQUILLA		3	00303R0100	BASE BOQUILLA IMPULSION	

CODIGO 00303, 00303CL090, 00303CL129, 00303CL144

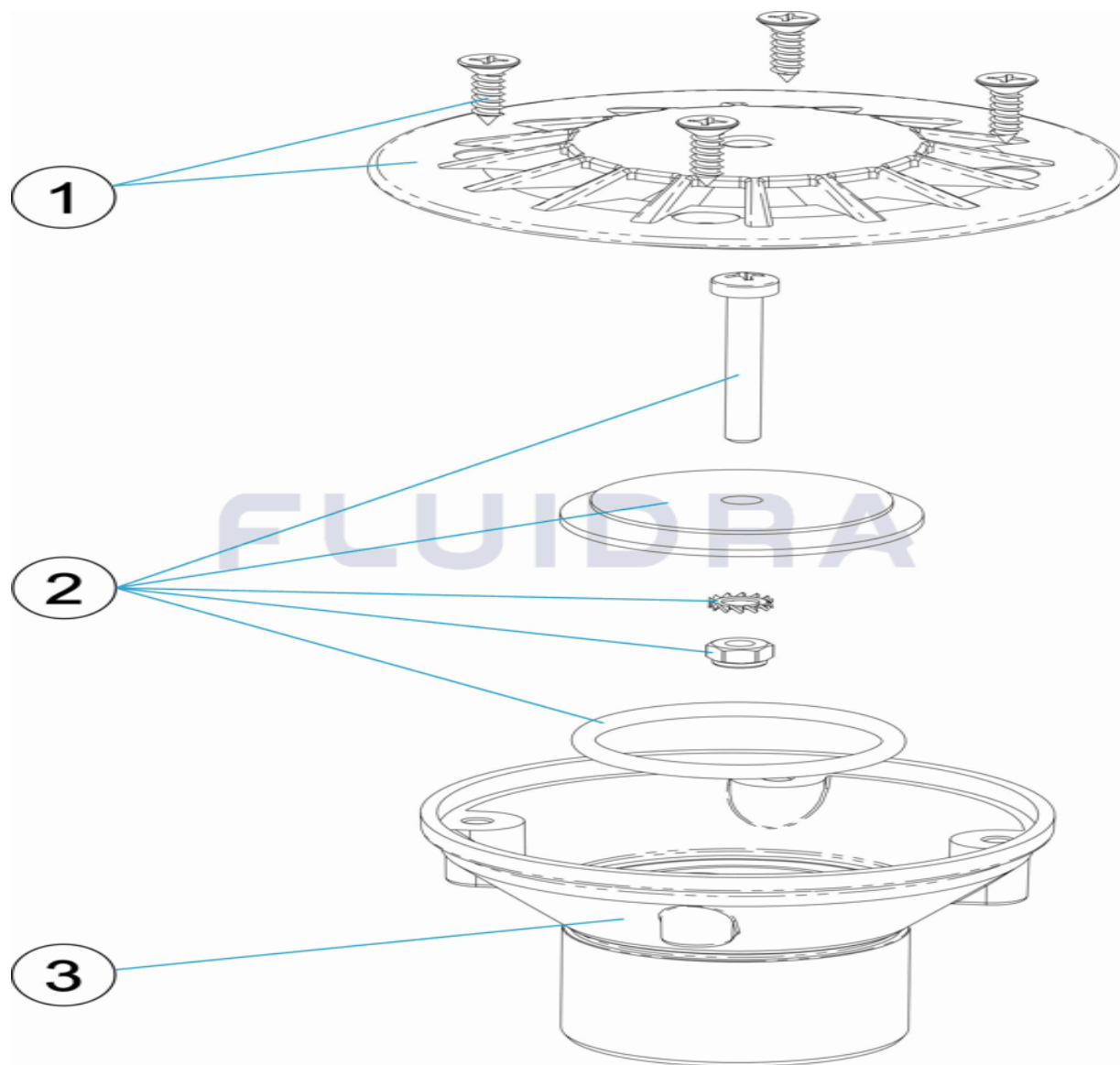
DESCRIPCION: BOQUILLA DE FONDO PISCINA HORMIGON

OBSERVACIONES

POS	CODIGO	OBSERVACIONES
1	* 4402040802	PARA: 00303 BLANCO / WHITE
1	* 4402040060	PARA: 00303CL090 BEIGE
1	* 4402040061	PARA: 00303CL129 GRIS / GREY
1	* 4402040062	PARA: 00303CL144 ANTRACITA / ANTHRACITE

CODE 00303, 00303CL090, 00303CL129, 00303CL144

DESCRIPTION: BOUCHE FOND PISCINE BÉTON



FRANCAIS

POS	CODE	DESCRIPTION	QUANTITE	POS	CODE	DESCRIPTION	QUANTITE
1	* 4402040802	GRILLE		1	* 4402040062	GRILLE	
1	* 4402040060	GRILLE		2	4402040801	DISQUE REGLAGE DEBIT	
1	* 4402040061	GRILLE		3	00303R0100	CORPS DE LA BUSE	

CODE **00303, 00303CL090, 00303CL129, 00303CL144**

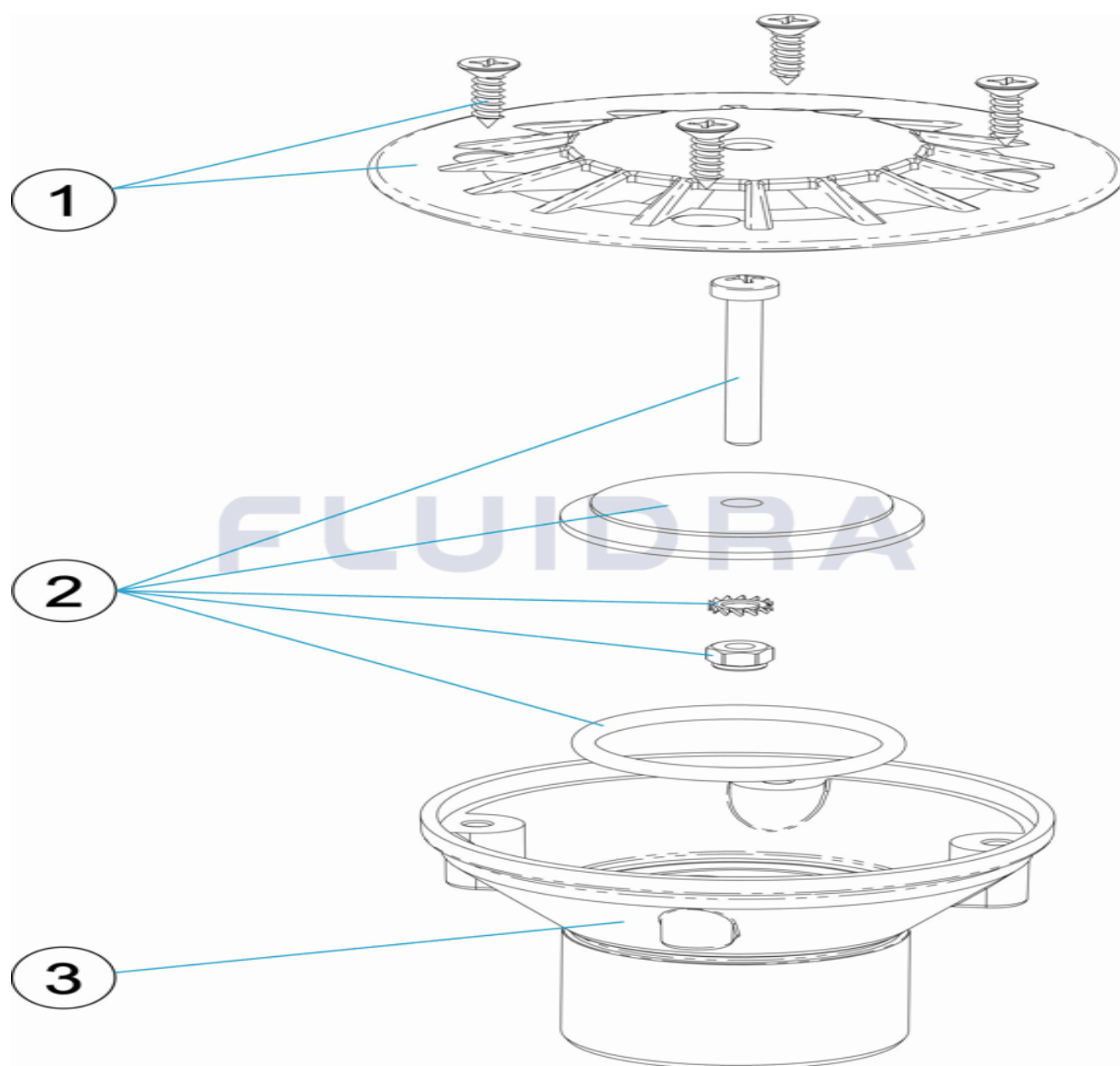
DESCRIPTION: **BOUCHE FOND PISCINE BÉTON**

OBSERVATIONS

POS	CODE	OBSERVATIONS
1	* 4402040802	POUR: 00303 BLANCO / WHITE
1	* 4402040060	POUR: 00303CL090 BEIGE
1	* 4402040061	POUR: 00303CL129 GRIS / GREY
1	* 4402040062	POUR: 00303CL144 ANTRACITA / ANTHRACITE

CODE 00303, 00303CL090, 00303CL129, 00303CL144

DESCRIPTION: **BOTTOM NOZZLE CONCRETE POOL**



ENGLISH

POS	CODE	DESCRIPTION	QUANTITY	POS	CODE	DESCRIPTION	QUANTITY
1	* 4402040802	INLET DIFFUSER PLATE		1	* 4402040062	INLET DIFFUSER PLATE	
1	* 4402040060	INLET DIFFUSER PLATE		2	4402040801	REGULATING DISC	
1	* 4402040061	INLET DIFFUSER PLATE		3	00303R0100	INLET BASE	

CODE **00303, 00303CL090, 00303CL129, 00303CL144**

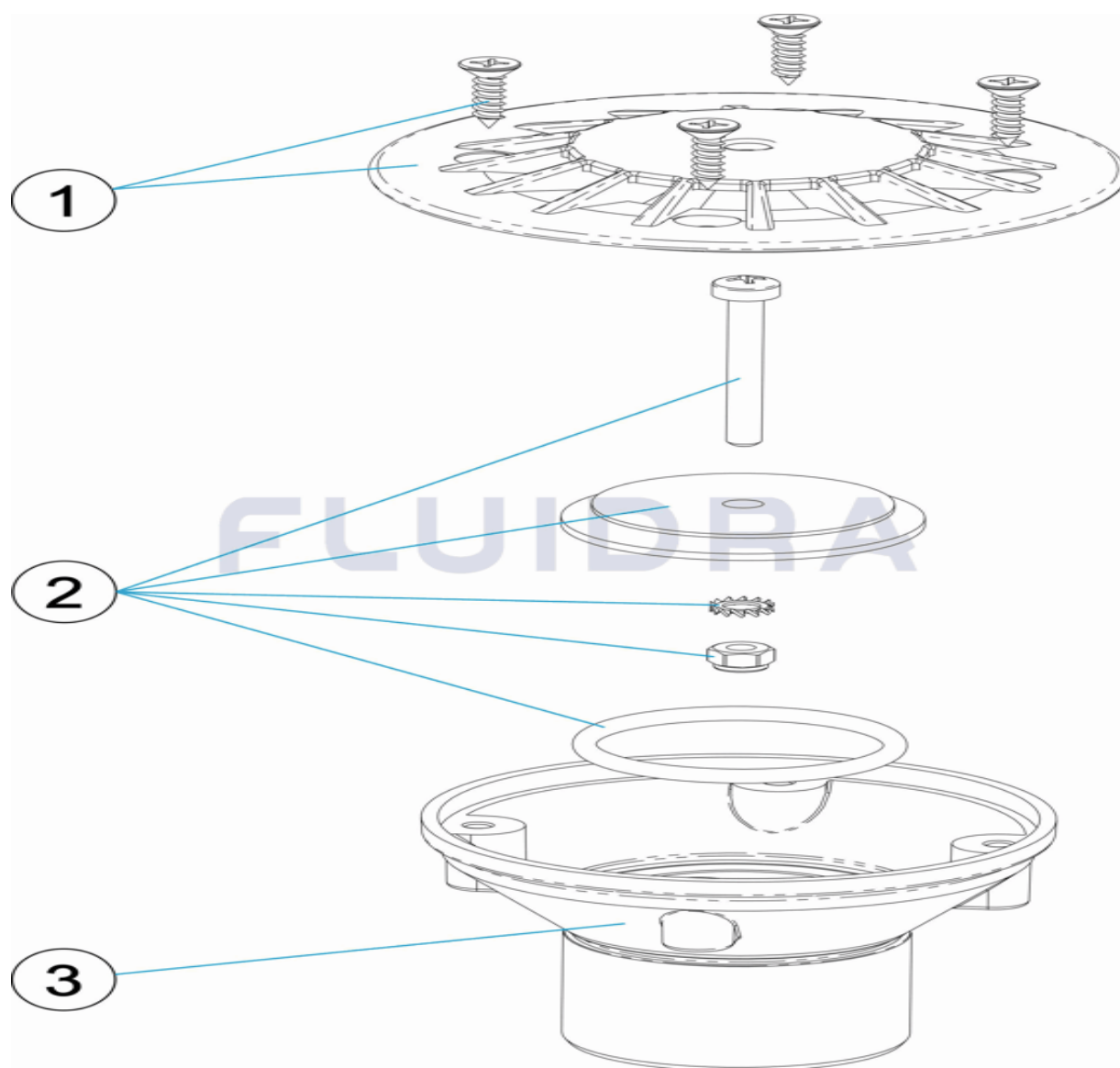
DESCRIPTION: **BOTTOM NOZZLE CONCRETE POOL**

OBSERVATIONS

POS	CODE	OBSERVATIONS
1	* 4402040802	FOR: 00303 BLANCO / WHITE
1	* 4402040060	FOR: 00303CL090 BEIGE
1	* 4402040061	FOR: 00303CL129 GRIS / GREY
1	* 4402040062	FOR: 00303CL144 ANTRACITA / ANTHRACITE

CODICE 00303, 00303CL090, 00303CL129, 00303CL144

DESCRIZIONE: BOCCHETTA DA FONDO PISCINA CEMENTO



ITALIANO

POS	CODICE	DESCRIZIONE	QUANTITA'	POS	CODICE	DESCRIZIONE	QUANTITA'
1	* 4402040802	COPERCHIO SUPERIORE		1	* 4402040062	COPERCHIO SUPERIORE	
1	* 4402040060	COPERCHIO SUPERIORE		2	4402040801	COPERCHIO REGOLAZIONE	
1	* 4402040061	COPERCHIO SUPERIORE		3	00303R0100	BASE BOCCHETTA	

CODICE 00303, 00303CL090, 00303CL129, 00303CL144

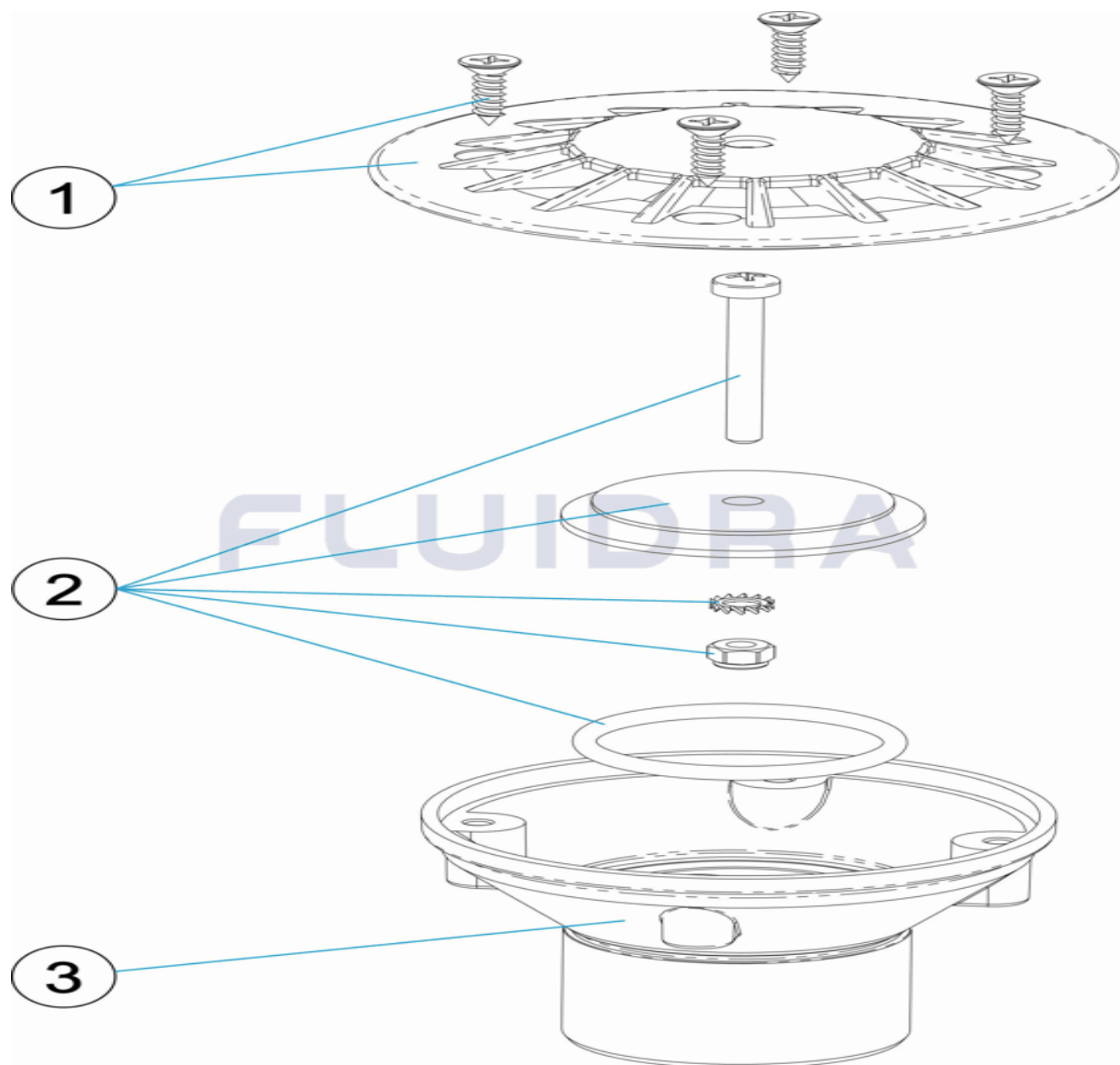
DESCRIZIONE: BOCCHETTA DA FONDO PISCINA CEMENTO

OSSERVAZIONI

POS	CODICE	OSSERVAZIONI
1	* 4402040802	PER: 00303 BLANCO / WHITE
1	* 4402040060	PER: 00303CL090 BEIGE
1	* 4402040061	PER: 00303CL129 GRIS / GREY
1	* 4402040062	PER: 00303CL144 ANTRACITA / ANTHRACITE

CODE 00303, 00303CL090, 00303CL129, 00303CL144

BESCHREIBUNG: BODENDÜSE BETONBECKEN



DEUTSCH

POS	CODE	BESCHREIBUNG	MENGE	POS	CODE	BESCHREIBUNG	MENGE
1	* 4402040802	ABSCHLUSSPLATTE OBEN DÜSE		1	* 4402040062	ABSCHLUSSPLATTE OBEN DÜSE	
1	* 4402040060	ABSCHLUSSPLATTE OBEN DÜSE		2	4402040801	REGULIERPLATTE DÜSE	
1	* 4402040061	ABSCHLUSSPLATTE OBEN DÜSE		3	00303R0100	BASIS EINLAUFDÜSE	

CODE **00303, 00303CL090, 00303CL129, 00303CL144**

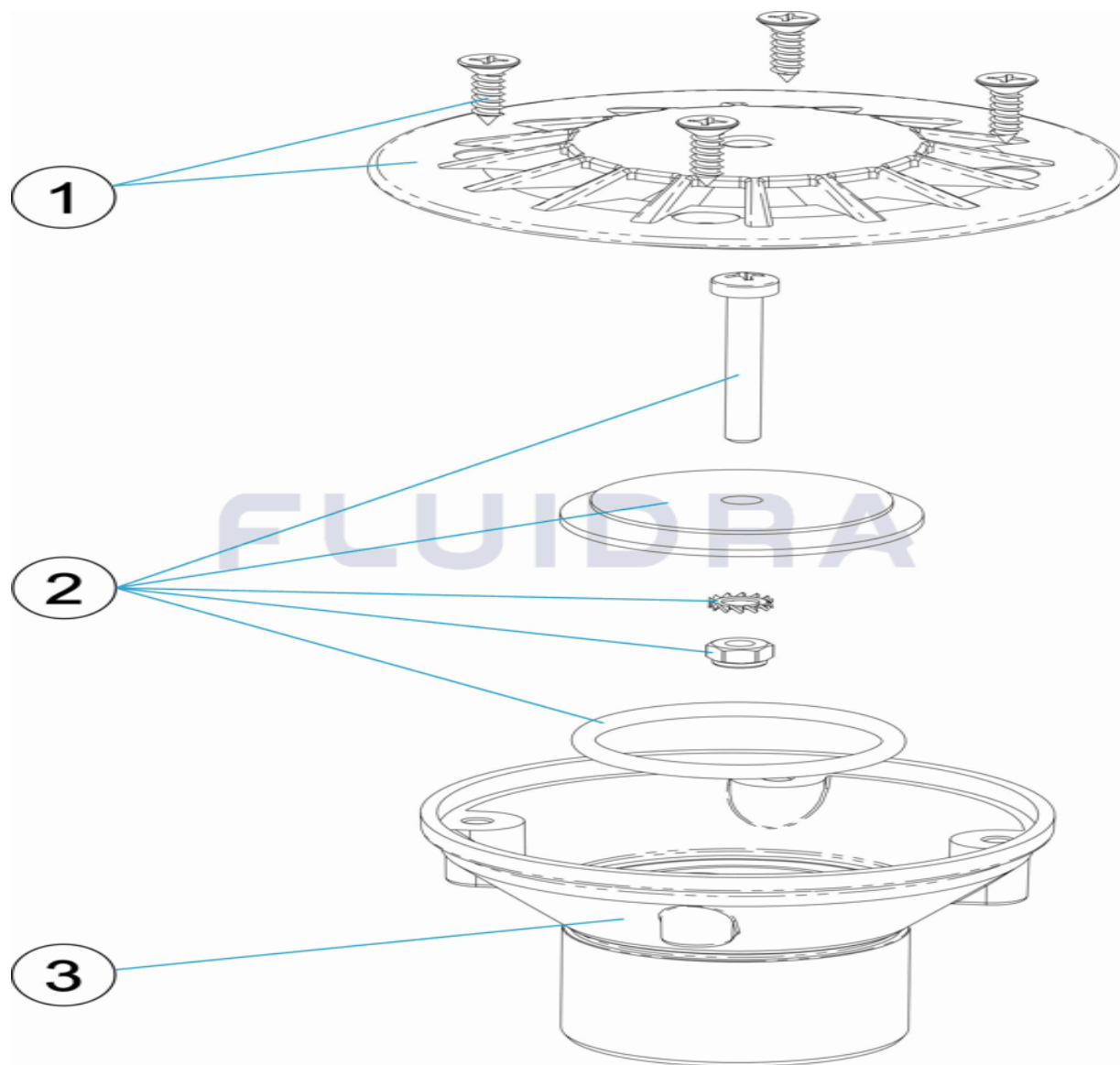
BESCHREIBUNG: **BODENDÜSE BETONBECKEN**

HINWEISE

POS	CODE	HINWEISE
1	* 4402040802	FÜR: 00303 BLANCO / WHITE
1	* 4402040060	FÜR: 00303CL090 BEIGE
1	* 4402040061	FÜR: 00303CL129 GRIS / GREY
1	* 4402040062	FÜR: 00303CL144 ANTRACITA / ANTHRACITE

CODIGO 00303, 00303CL090, 00303CL129, 00303CL144

DESCRIÇÃO: BOQUILHA DE FUNDO PISCINA BETÃO



PORTUGUES

POS	CODIGO	DESCRIÇÃO	JANTIDADE	POS	CODIGO	DESCRIÇÃO	JANTIDADE
1	* 4402040802	TAMPA SUPERIOR BOCA		1	* 4402040062	TAMPA SUPERIOR BOCA	
1	* 4402040060	TAMPA SUPERIOR BOCA		2	4402040801	TAMPA REGULADORA BOCA	
1	* 4402040061	TAMPA SUPERIOR BOCA		3	00303R0100	BASE BOCA	

CODIGO 00303, 00303CL090, 00303CL129, 00303CL144

DESCRIÇÃO: BOQUILHA DE FUNDO PISCINA BETÃO

OBSERVACÕES

POS	CODIGO	OBSERVACÕES
1	* 4402040802	PARA: 00303 BLANCO / WHITE
1	* 4402040060	PARA: 00303CL090 BEIGE
1	* 4402040061	PARA: 00303CL129 GRIS / GREY
1	* 4402040062	PARA: 00303CL144 ANTRACITA / ANTHRACITE