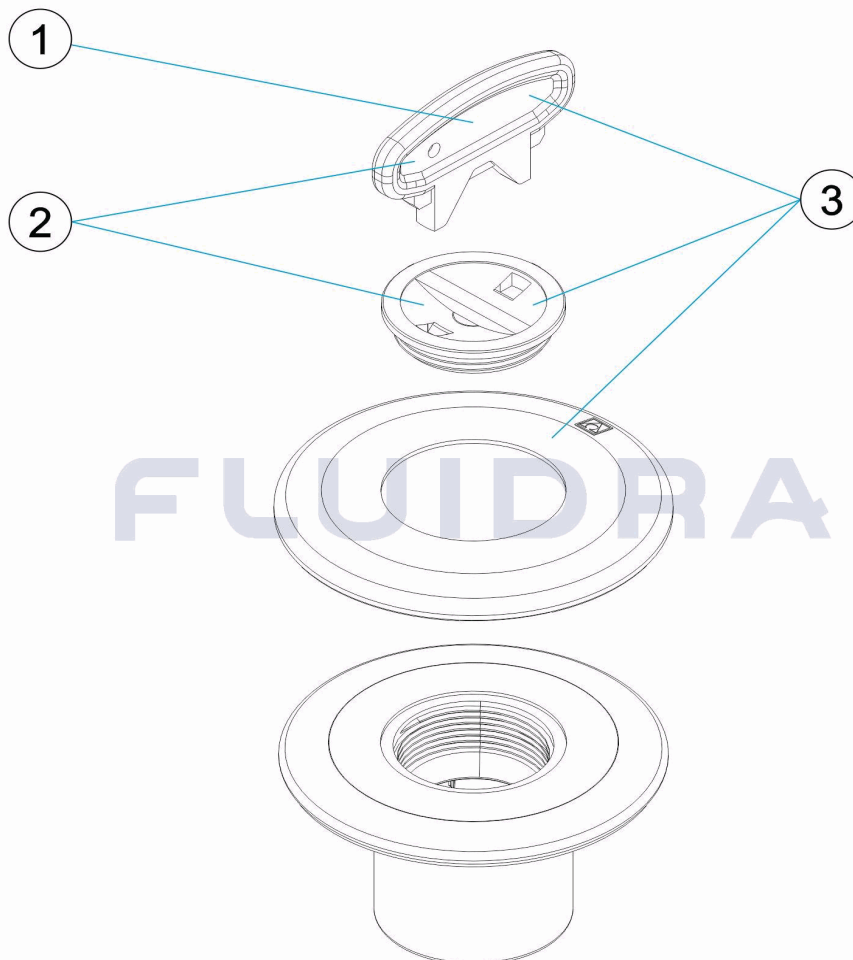


CODIGO **00300, 00300CL090, 00300CL129, 00300CL144**

DESCRIPCION: **BOQUILLA ASPIRACION P. HORM. ENCOLAR D. 63**



ESPAÑOL

| POS | CODIGO | DESCRIPCION | CANTIDAD | POS | CODIGO | DESCRIPCION | CANTIDAD |
|-----|--------------|----------------|----------|-----|--------------|-------------------------|----------|
| 1 | 4402040304 | LLAVE BOQUILLA | | 3 | * 4402040501 | TAPON Y TAPETA BOQUILLA | |
| 2 | * 4402043101 | TAPON BOQUILLA | | 3 | * 4402040066 | TAPON Y TAPETA BOQUILLA | |
| 2 | * 4402040063 | TAPON BOQUILLA | | 3 | * 4402040067 | TAPON Y TAPETA BOQUILLA | |
| 2 | * 4402040064 | TAPON BOQUILLA | | 3 | * 4402040068 | TAPON Y TAPETA BOQUILLA | |
| 2 | * 4402040065 | TAPON BOQUILLA | | | | | |

CODIGO 00300, 00300CL090, 00300CL129, 00300CL144

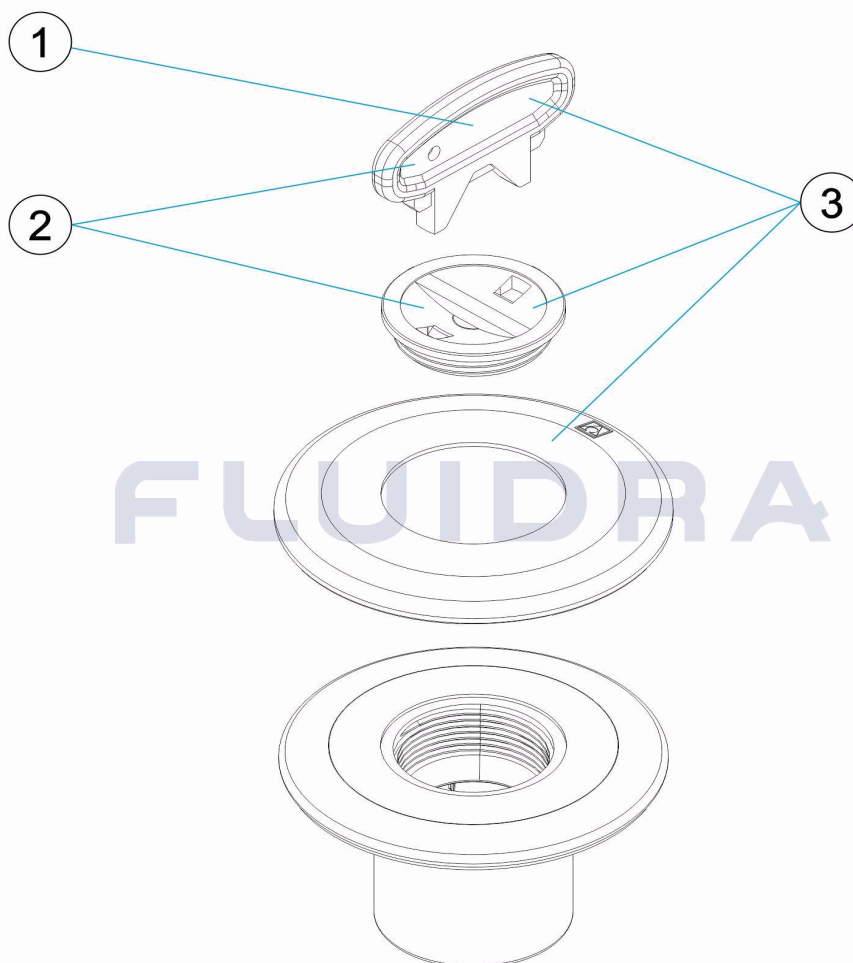
DESCRIPCION: BOQUILLA ASPIRACION P. HORM. ENCOLAR D. 63

OBSERVACIONES

| POS | CODIGO | OBSERVACIONES |
|-----|--------------|-----------------------------------------|
| 2 | * 4402043101 | PARA: 00300 BLANCO / WHITE |
| 2 | * 4402040063 | PARA: 00300CL090 BEIGE |
| 2 | * 4402040064 | PARA: 00300CL129 GRIS / GREY |
| 2 | * 4402040065 | PARA: 00300CL144 ANTRACITA / ANTHRACITE |
| 3 | * 4402040501 | PARA: 00300 BLANCO / WHITE |
| 3 | * 4402040066 | PARA: 00300CL090 BEIGE |
| 3 | * 4402040067 | PARA: 00300CL129 GRIS / GREY |
| 3 | * 4402040068 | PARA: 00300CL144 ANTRACITA / ANTHRACITE |

CODE 00300, 00300CL090, 00300CL129, 00300CL144

DESCRIPTION: BOUCHE ASPIRATION P. BÉTON ENCOLLER D. 63



FRANCAIS

| POS | CODE | DESCRIPTION | QUANTITE | POS | CODE | DESCRIPTION | QUANTITE |
|-----|--------------|-------------------|----------|-----|--------------|-----------------------|----------|
| 1 | 4402040304 | CLEF POUR BUSE | | 3 | * 4402040501 | BOUCHON ET COLLERETTE | |
| 2 | * 4402043101 | BOUCHON DE BOUCHE | | 3 | * 4402040066 | BOUCHON ET COLLERETTE | |
| 2 | * 4402040063 | BOUCHON DE BOUCHE | | 3 | * 4402040067 | BOUCHON ET COLLERETTE | |
| 2 | * 4402040064 | BOUCHON DE BOUCHE | | 3 | * 4402040068 | BOUCHON ET COLLERETTE | |
| 2 | * 4402040065 | BOUCHON DE BOUCHE | | | | | |

CODE **00300, 00300CL090, 00300CL129, 00300CL144**

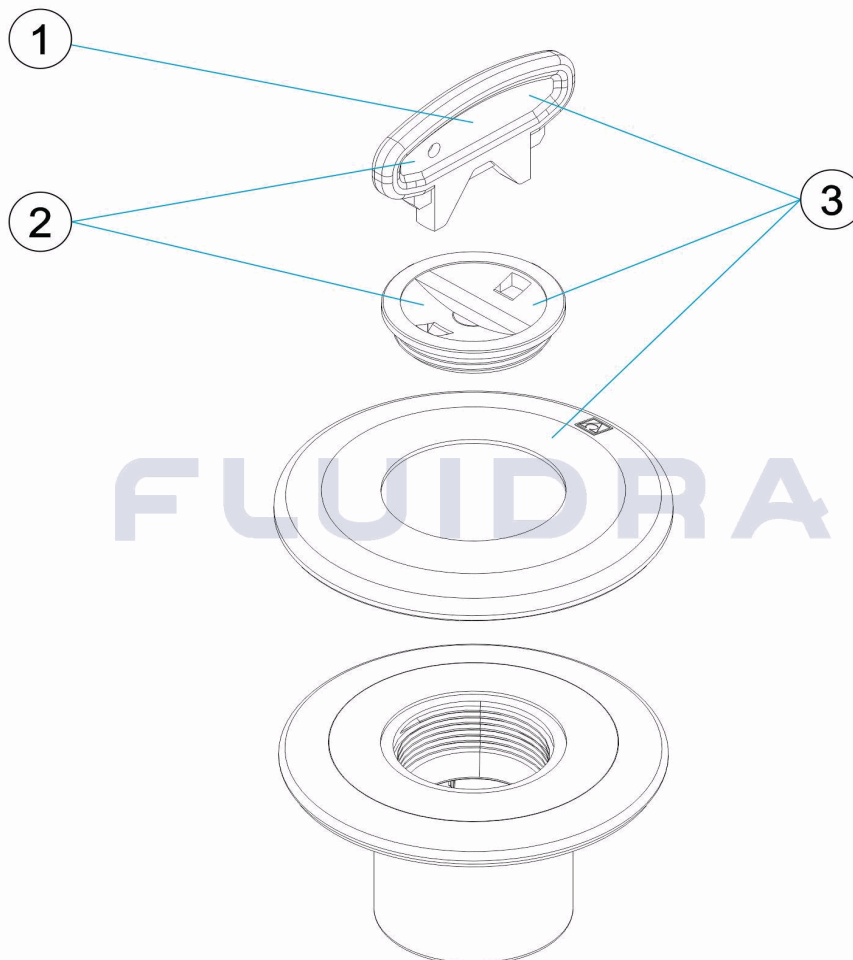
DESCRIPTION: **BOUCHE ASPIRATION P. BÉTON ENCOLLER D. 63**

OBSERVATIONS

| POS | CODE | OBSERVATIONS |
|-----|--------------|-----------------------------------------|
| 2 | * 4402043101 | POUR: 00300 BLANCO / WHITE |
| 2 | * 4402040063 | POUR: 00300CL090 BEIGE |
| 2 | * 4402040064 | POUR: 00300CL129 GRIS / GREY |
| 2 | * 4402040065 | POUR: 00300CL144 ANTRACITA / ANTHRACITE |
| 3 | * 4402040501 | POUR: 00300 BLANCO / WHITE |
| 3 | * 4402040066 | POUR: 00300CL090 BEIGE |
| 3 | * 4402040067 | POUR: 00300CL129 GRIS / GREY |
| 3 | * 4402040068 | POUR: 00300CL144 ANTRACITA / ANTHRACITE |

CODE 00300, 00300CL090, 00300CL129, 00300CL144

DESCRIPTION: SOLVENT-SEAL SUCTION NOZZLE CONCRETE POOL D. 63



ENGLISH

| POS | CODE | DESCRIPTION | QUANTITY | POS | CODE | DESCRIPTION | QUANTITY |
|-----|--------------|---------------|----------|-----|--------------|-------------------------|----------|
| 1 | 4402040304 | KEY FOR INLET | | 3 | * 4402040501 | INLET COVER PLATE + CAP | |
| 2 | * 4402043101 | INLET CAP | | 3 | * 4402040066 | INLET COVER PLATE + CAP | |
| 2 | * 4402040063 | INLET CAP | | 3 | * 4402040067 | INLET COVER PLATE + CAP | |
| 2 | * 4402040064 | INLET CAP | | 3 | * 4402040068 | INLET COVER PLATE + CAP | |
| 2 | * 4402040065 | INLET CAP | | | | | |

CODE **00300, 00300CL090, 00300CL129, 00300CL144**

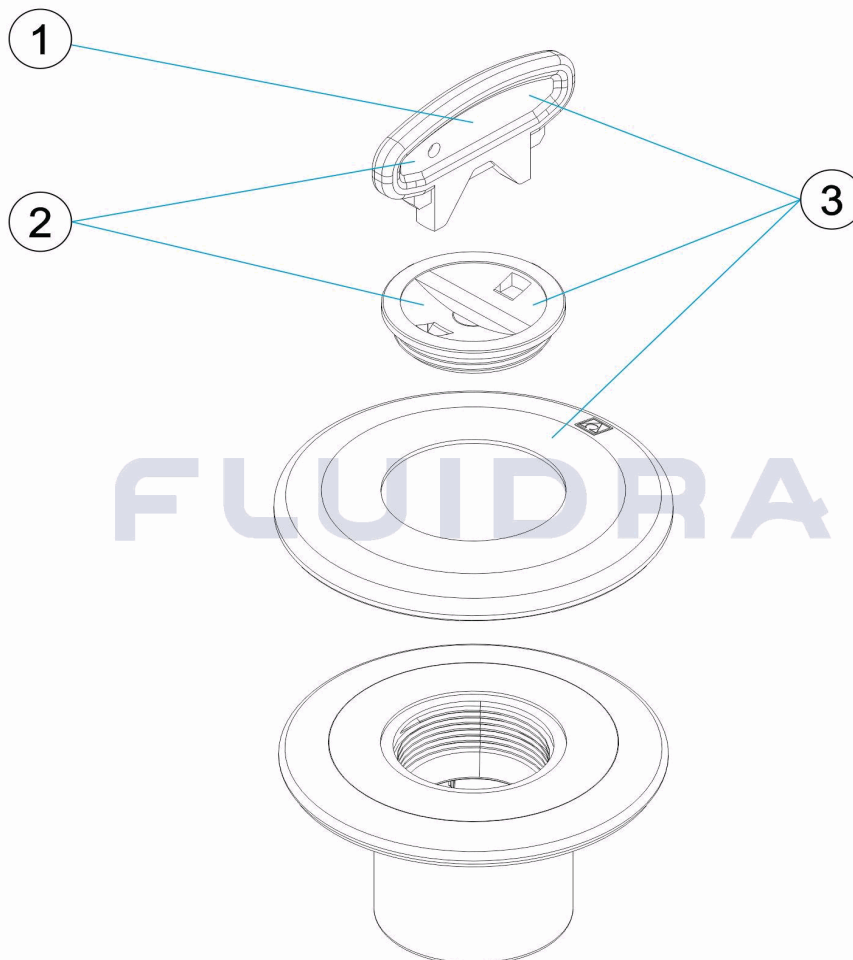
DESCRIPTION: **SOLVENT-SEAL SUCTION NOZZLE CONCRETE POOL D. 63**

OBSERVATIONS

| POS | CODE | OBSERVATIONS |
|-----|--------------|----------------------------------------|
| 2 | * 4402043101 | FOR: 00300 BLANCO / WHITE |
| 2 | * 4402040063 | FOR: 00300CL090 BEIGE |
| 2 | * 4402040064 | FOR: 00300CL129 GRIS / GREY |
| 2 | * 4402040065 | FOR: 00300CL144 ANTRACITA / ANTHRACITE |
| 3 | * 4402040501 | FOR: 00300 BLANCO / WHITE |
| 3 | * 4402040066 | FOR: 00300CL090 BEIGE |
| 3 | * 4402040067 | FOR: 00300CL129 GRIS / GREY |
| 3 | * 4402040068 | FOR: 00300CL144 ANTRACITA / ANTHRACITE |

CODICE **00300, 00300CL090, 00300CL129, 00300CL144**

DESCRIZIONE: **BOCCHETTA ASPIRAZIONE PISCINA CEMENTO INCOLLARE D. 63**



ITALIANO

| POS | CODICE | DESCRIZIONE | QUANTITA' | POS | CODICE | DESCRIZIONE | QUANTITA' |
|-----|--------------|---------------------|-----------|-----|--------------|--------------------------------|-----------|
| 1 | 4402040304 | CHIAVE | | 3 | * 4402040501 | TAPPO E COPERCHIETTO BOCCHETTA | |
| 2 | * 4402043101 | COPERCHIO BOCCHETTA | | 3 | * 4402040066 | TAPPO E COPERCHIETTO BOCCHETTA | |
| 2 | * 4402040063 | COPERCHIO BOCCHETTA | | 3 | * 4402040067 | TAPPO E COPERCHIETTO BOCCHETTA | |
| 2 | * 4402040064 | COPERCHIO BOCCHETTA | | 3 | * 4402040068 | TAPPO E COPERCHIETTO BOCCHETTA | |
| 2 | * 4402040065 | COPERCHIO BOCCHETTA | | | | | |

CODICE 00300, 00300CL090, 00300CL129, 00300CL144

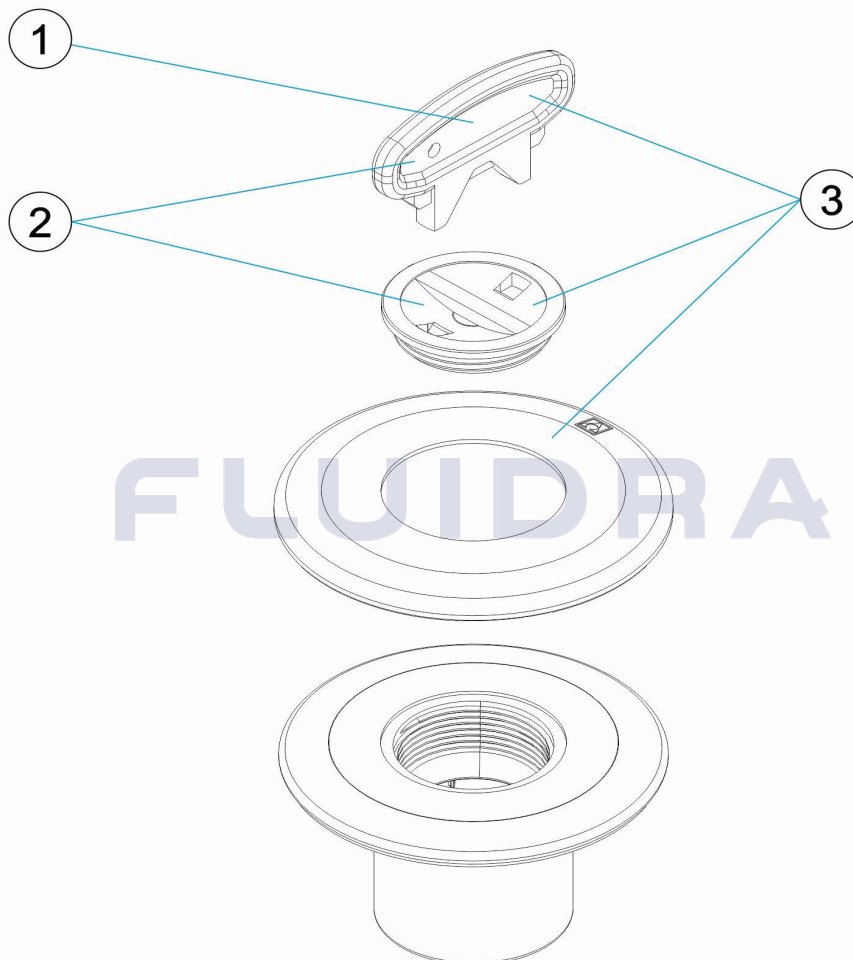
DESCRIZIONE: BOCCHETTA ASPIRAZIONE PISCINA CEMENTO INCOLLARE D. 63

OSSERVAZIONI

| POS | CODICE | OSSERVAZIONI |
|-----|--------------|----------------------------------------|
| 2 | * 4402043101 | PER: 00300 BLANCO / WHITE |
| 2 | * 4402040063 | PER: 00300CL090 BEIGE |
| 2 | * 4402040064 | PER: 00300CL129 GRIS / GREY |
| 2 | * 4402040065 | PER: 00300CL144 ANTRACITA / ANTHRACITE |
| 3 | * 4402040501 | PER: 00300 BLANCO / WHITE |
| 3 | * 4402040066 | PER: 00300CL090 BEIGE |
| 3 | * 4402040067 | PER: 00300CL129 GRIS / GREY |
| 3 | * 4402040068 | PER: 00300CL144 ANTRACITA / ANTHRACITE |

CODE **00300, 00300CL090, 00300CL129, 00300CL144**

BESCHREIBUNG: **ANSAUGDÜSE BETONBECKEN KLEBEN D. 63**



DEUTSCH

| POS | CODE | BESCHREIBUNG | MENGE | POS | CODE | BESCHREIBUNG | MENGE |
|-----|--------------|----------------|-------|-----|--------------|----------------------------------|-------|
| 1 | 4402040304 | SCHLÜSSEL DÜSE | | 3 | * 4402040501 | STOPFEN UND ABSCHLUSSPLATTE DÜSE | |
| 2 | * 4402043101 | STOPFEN DÜSE | | 3 | * 4402040066 | STOPFEN UND ABSCHLUSSPLATTE DÜSE | |
| 2 | * 4402040063 | STOPFEN DÜSE | | 3 | * 4402040067 | STOPFEN UND ABSCHLUSSPLATTE DÜSE | |
| 2 | * 4402040064 | STOPFEN DÜSE | | 3 | * 4402040068 | STOPFEN UND ABSCHLUSSPLATTE DÜSE | |
| 2 | * 4402040065 | STOPFEN DÜSE | | | | | |

CODE **00300, 00300CL090, 00300CL129, 00300CL144**

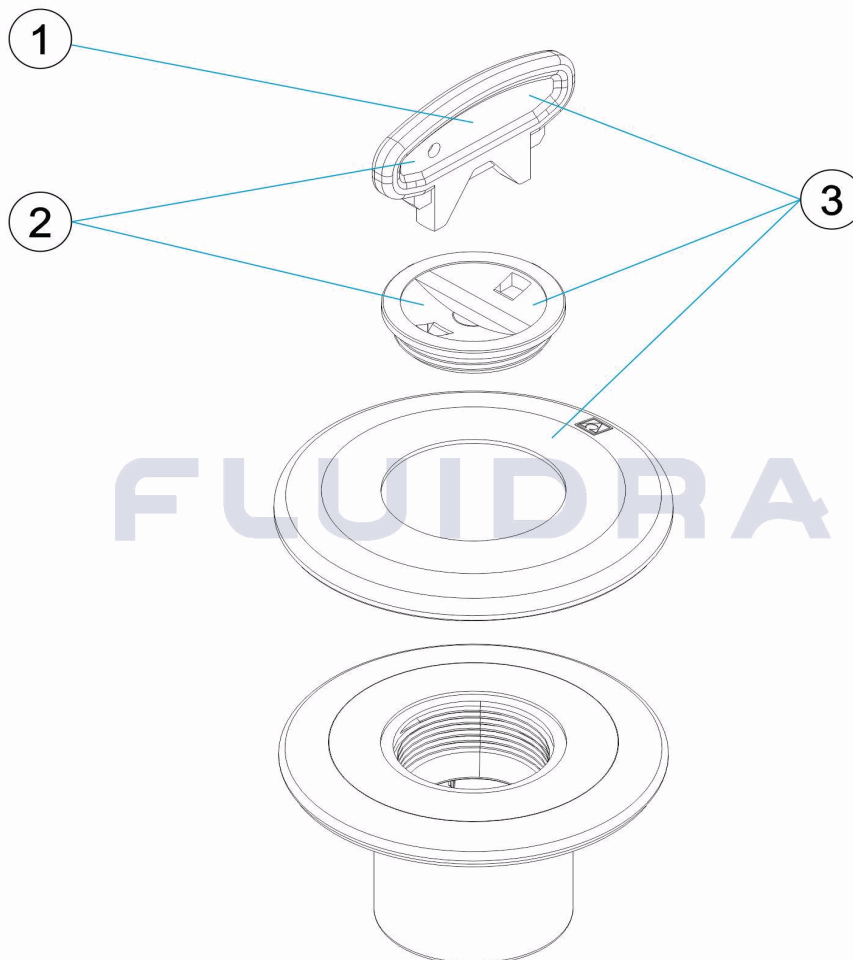
BESCHREIBUNG: **ANSAUGDÜSE BETONBECKEN KLEBEN D. 63**

HINWEISE

| POS | CODE | HINWEISE |
|-----|--------------|----------------------------------------|
| 2 | * 4402043101 | FÜR: 00300 BLANCO / WHITE |
| 2 | * 4402040063 | FÜR: 00300CL090 BEIGE |
| 2 | * 4402040064 | FÜR: 00300CL129 GRIS / GREY |
| 2 | * 4402040065 | FÜR: 00300CL144 ANTRACITA / ANTHRACITE |
| 3 | * 4402040501 | FÜR: 00300 BLANCO / WHITE |
| 3 | * 4402040066 | FÜR: 00300CL090 BEIGE |
| 3 | * 4402040067 | FÜR: 00300CL129 GRIS / GREY |
| 3 | * 4402040068 | FÜR: 00300CL144 ANTRACITA / ANTHRACITE |

CODIGO 00300, 00300CL090, 00300CL129, 00300CL144

DESCRIÇÃO: BOQUILHA ASPIRAÇÃO P. BETÃO UNIR D. 63



PORTUGUES

| POS | CODIGO | DESCRIÇÃO | JANTIDADE | POS | CODIGO | DESCRIÇÃO | JANTIDADE |
|-----|--------------|-------------|-----------|-----|--------------|----------------|-----------|
| 1 | 4402040304 | CHAVE BOCA | | 3 | * 4402040501 | TAMPÃO DE BOCA | |
| 2 | * 4402043101 | TAMPÃO BOCA | | 3 | * 4402040066 | TAMPÃO DE BOCA | |
| 2 | * 4402040063 | TAMPÃO BOCA | | 3 | * 4402040067 | TAMPÃO DE BOCA | |
| 2 | * 4402040064 | TAMPÃO BOCA | | 3 | * 4402040068 | TAMPÃO DE BOCA | |
| 2 | * 4402040065 | TAMPÃO BOCA | | | | | |

CODIGO 00300, 00300CL090, 00300CL129, 00300CL144

DESCRIÇÃO: BOQUILHA ASPIRAÇÃO P. BETÃO UNIR D. 63

OBSERVACÕES

| POS | CODIGO | OBSERVACÕES |
|-----|--------------|-----------------------------------------|
| 2 | * 4402043101 | PARA: 00300 BLANCO / WHITE |
| 2 | * 4402040063 | PARA: 00300CL090 BEIGE |
| 2 | * 4402040064 | PARA: 00300CL129 GRIS / GREY |
| 2 | * 4402040065 | PARA: 00300CL144 ANTRACITA / ANTHRACITE |
| 3 | * 4402040501 | PARA: 00300 BLANCO / WHITE |
| 3 | * 4402040066 | PARA: 00300CL090 BEIGE |
| 3 | * 4402040067 | PARA: 00300CL129 GRIS / GREY |
| 3 | * 4402040068 | PARA: 00300CL144 ANTRACITA / ANTHRACITE |