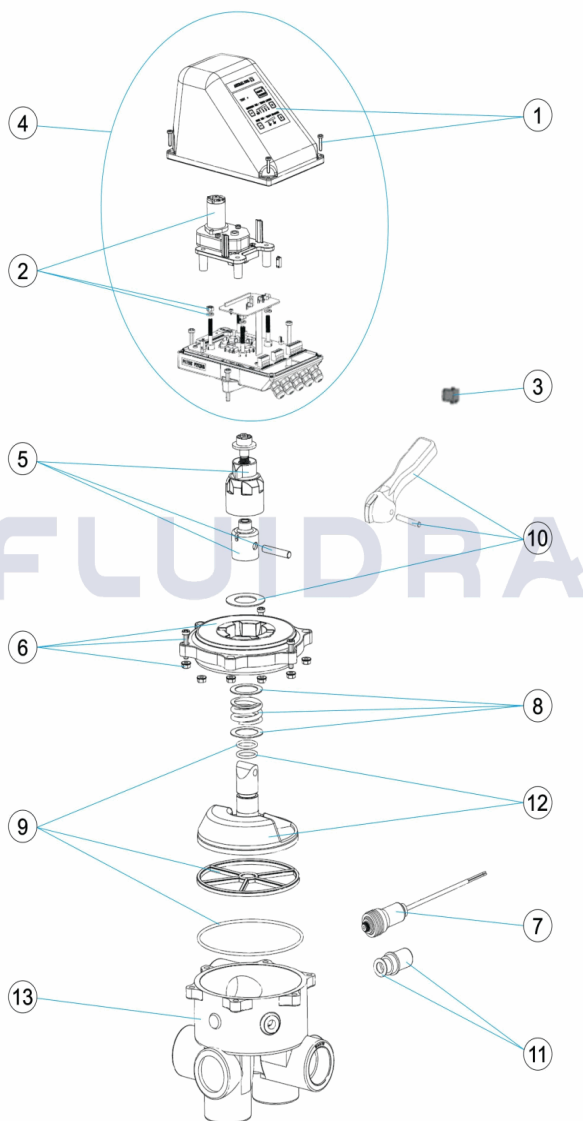


CODIGO **32581, 32582**

DESCRIPCION: **VALVULA SELECTORA AUTOMATICA 1 "**



ESPAÑOL

POS	CODIGO	DESCRIPCION	CANTIDAD	POS	CODIGO	DESCRIPCION	CANTIDAD
1	* 4404121504	TAPA ACTUADOR 1 1/2"		7	* 4404121501	PRESOSTATO + ARANDELA + CABLE 1 1/2"	
1	* 4404121505	TAPA ACTUADOR 2"		7	* 4404122709	CJTO. PRESOSTATO + ARANDELA + CABLE	
1	* 4404120065	CJTO. TAPA CAJA ACTUADOR		8	4404120105	RESORTE CON ARANDELAS	
2	* 4404122702	CJTO. SOPORTE MOTOR REDUCTOR		9	* 4404120107	JUNTAS VALVULA 1 1/2" NUEVA	
2	* 4404120049	CJTO. SOPORTE MOTOREDUCTOR		9	* 4404120407	JUNTAS VALVULA 2"	
3	4404121107	TAPON 1/4' VALVULA		10	4404120102	MANETA NEGRA 1 1/2'-2'	
4	* 4404120062	CJTO. ACTUADOR VSA. BASIC 1 1/2"		11	4404120108	VISOR CON JUNTA	
4	* 4404120063	CJTO. ACTUADOR 2" BASIC		12	* 4404120106	DISTRIBUIDOR CON JUNTAS 1 1/2" NUEVO	
5	4404121502	CJTO. LEVA TRINQUETE		12	* 4404122710	DISTRIBUIDOR CON JUNTAS 2"	
6	* 4404122707	TAPA VALVULA SELECTORA 1 1/2"		13	* 00598R0101	CUERPO NEGRO 1 1/2" POSICION 3"	
6	* 4404122708	TAPA VALV. SELECTORA 2" NEGR "		13	* 07444R0101	CUERPO NEGRO 2" POSICION 3 CON RAC	

CODIGO 32581, 32582

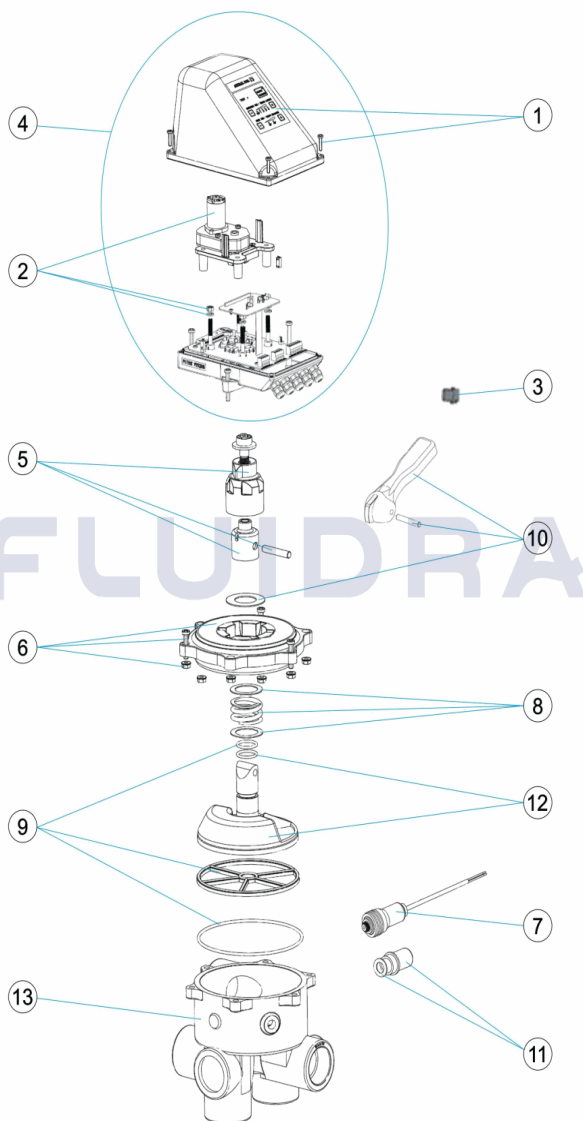
DESCRIPCION: VALVULA SELECTORA AUTOMATICA 1 "

OBSERVACIONES

POS	CODIGO	OBSERVACIONES
1	* 4404121504	PARA: 32581 ACTUADOR ORIGINAL / ORIGINAL ACTUATOR
1	* 4404121505	PARA: 32582 ACTUADOR ORIGINAL / ORIGINAL ACTUATOR
1	* 4404120065	PARA: SI SE ACTUALIZO A VRAC III / IF UPDATED TO VRAC III
2	* 4404122702	PARA: ACTUADOR ORIGINAL / ORIGINAL ACTUATOR
2	* 4404120049	PARA: SI SE ACTUALIZO A VRAC III / IF UPDATED TO VRAC III
4	* 4404120062	PARA: 32581 ACTUALIZAR A VRAC III / TO UPDATE TO VRAC III
4	* 4404120063	PARA: 32582 ACTUALIZAR A VRAC III / TO UPDATE TO VRAC III
6	* 4404122707	PARA: 32581
6	* 4404122708	PARA: 32582
7	* 4404121501	PARA: 32581
7	* 4404122709	PARA: 32582
9	* 4404120107	PARA: 32581
9	* 4404120407	PARA: 32582
12	* 4404120106	PARA: 32581
12	* 4404122710	PARA: 32582
13	* 00598R0101	PARA: 32581
13	* 07444R0101	PARA: 32582

CODE 32581, 32582

DESCRIPTION: SÉLECTEUR AUTOMATIQUE 1 1/2"



FRANCAIS

POS	CODE	DESCRIPTION	QUANTITE	POS	CODE	DESCRIPTION	QUANTITE
1	* 4404121504	COUVERCLE ACTIONNEUR 1 1/2"		7	* 4404121501	ENSEMBLE PRESSOSTAT + RONDELLE + C	
1	* 4404121505	COUVERCLE ACTIONNEUR 2"		7	* 4404122709	ENSEMBLE PRESSOSTAT + RONDELLE + C	
1	* 4404120065	ENS. COUVERCLE BOÎTIER ACTIONNEUR		8	4404120105	RESSORT ET RONDELLES	
2	* 4404122702	ENSEMBLE SUPPORT MOTO REDUCTEUR		9	* 4404120107	JOINTS 1 1/2' NOUVEAU MODELE	
2	* 4404120049	ENS. SUPPORT MOTORÉDUCTEUR		9	* 4404120407	JOINTS DE VANNE 2'	
3	4404121107	BOUCHON 1/4' DE VANNE		10	4404120102	POIGNEE NOIRE 1 1/2' ET 2'	
4	* 4404120062	ACTIONNEUR BASIC 1 1/2"		11	4404120108	VOYANT ET JOINT	
4	* 4404120063	ACTIONNEUR BASIC 2"		12	* 4404120106	BOISSEAU ET JOINT DE VANNE NOUVEAU	
5	4404121502	ENSEMBLE LEVIER CLIQUET		12	* 4404122710	BOISSEAU AVEC JOINTS 2'	
6	* 4404122707	DESSUS DE VANNE 1 1/2"		13	* 00598R0101	CORPS NOIR VARIATION 3	
6	* 4404122708	DESSUS DE VANNE 2"		13	* 07444R0101	CORPS NOIR AVEC RACCORD	

CODE **32581, 32582**

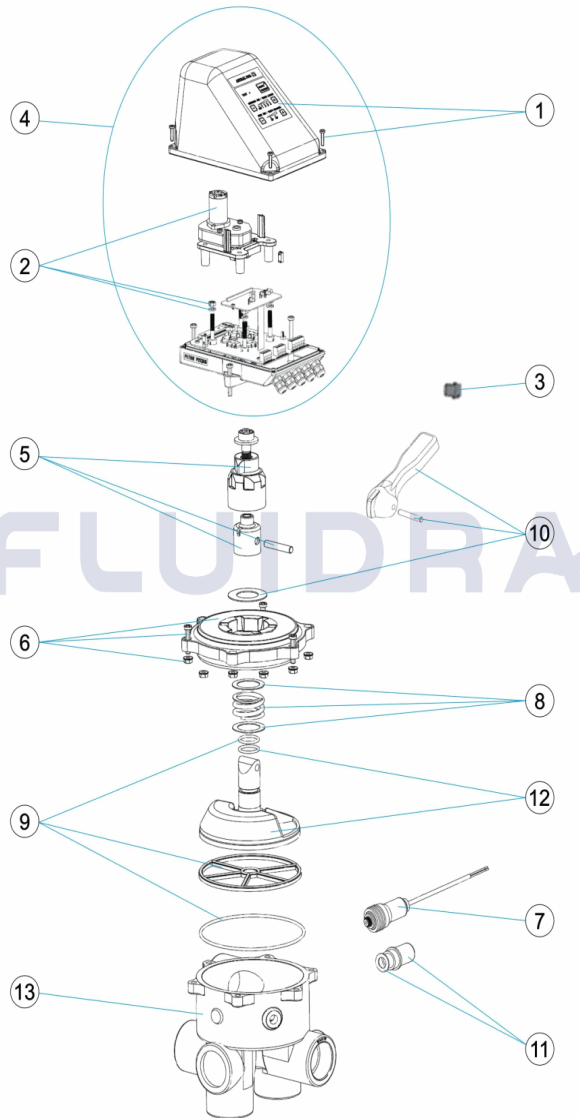
DESCRIPTION: **SÉLECTEUR AUTOMATIQUE 1 1/2"**

OBSERVATIONS

POS	CODE	OBSERVATIONS
1	* 4404121504	POUR: 32581 ACTUADOR ORIGINAL / ORIGINAL ACTUATOR
1	* 4404121505	POUR: 32582 ACTUADOR ORIGINAL / ORIGINAL ACTUATOR
1	* 4404120065	POUR: SI SE ACTUALIZO A VRAC III / IF UPDATED TO VRAC III
2	* 4404122702	POUR: ACTUADOR ORIGINAL / ORIGINAL ACTUATOR
2	* 4404120049	POUR: SI SE ACTUALIZO A VRAC III / IF UPDATED TO VRAC III
4	* 4404120062	POUR: 32581 ACTUALIZAR A VRAC III / TO UPDATE TO VRAC III
4	* 4404120063	POUR: 32582 ACTUALIZAR A VRAC III / TO UPDATE TO VRAC III
6	* 4404122707	POUR: 32581
6	* 4404122708	POUR: 32582
7	* 4404121501	POUR: 32581
7	* 4404122709	POUR: 32582
9	* 4404120107	POUR: 32581
9	* 4404120407	POUR: 32582
12	* 4404120106	POUR: 32581
12	* 4404122710	POUR: 32582
13	* 00598R0101	POUR: 32581
13	* 07444R0101	POUR: 32582

CODE **32581, 32582**

DESCRIPTION: **AUTOMATIC MULTIPORT VALVE 1 1/2"**



ENGLISH

POS	CODE	DESCRIPTION	QUANTITY	POS	CODE	DESCRIPTION	QUANTITY
1	* 4404121504	LIG FOR ACTUATOR 1 1/2"		7	* 4404121501	PRESSURE CONTROL UNIT + WASHER + C	
1	* 4404121505	LIG FOR ACTUATOR 2"		7	* 4404122709	PRESSURE CONTROL UNIT + WASHER + C	
1	* 4404120065	ACTUATOR BOX COVER SET		8	4404120105	SPRING WITH WASHERS	
2	* 4404122702	SUPPORT FOR GEAR MOTOR		9	* 4404120107	GASKETS NEW VALVE 1 1/2'	
2	* 4404120049	GEARED MOTOR SUPPORT SET		9	* 4404120407	GASKETS 2'	
3	4404121107	PLUG 1/4'		10	4404120102	BLACK HANDLE 11/2'-2'	
4	* 4404120062	ACTUATOR SET VSA. BASIC 1 1/2"		11	4404120108	VISOR WITH SEAL	
4	* 4404120063	ACTUATOR SET BASIC 2"		12	* 4404120106	DISTRIBUTOR WITH GASKETS 1 1/2'	
5	4404121502	CATCH LEVER UNIT		12	* 4404122710	DISTRIBUTOR WITH GASKETS 2'	
6	* 4404122707	COVERS SELECTOR VALVE 1 1/2"		13	* 00598R0101	BLACK SELECTOR VALVE 1 1/2" POS. 3"	
6	* 4404122708	VALVE TOP 2"		13	* 07444R0101	BLACK SELECTOR VALVE BODY WITH FITT	

CODE **32581, 32582**

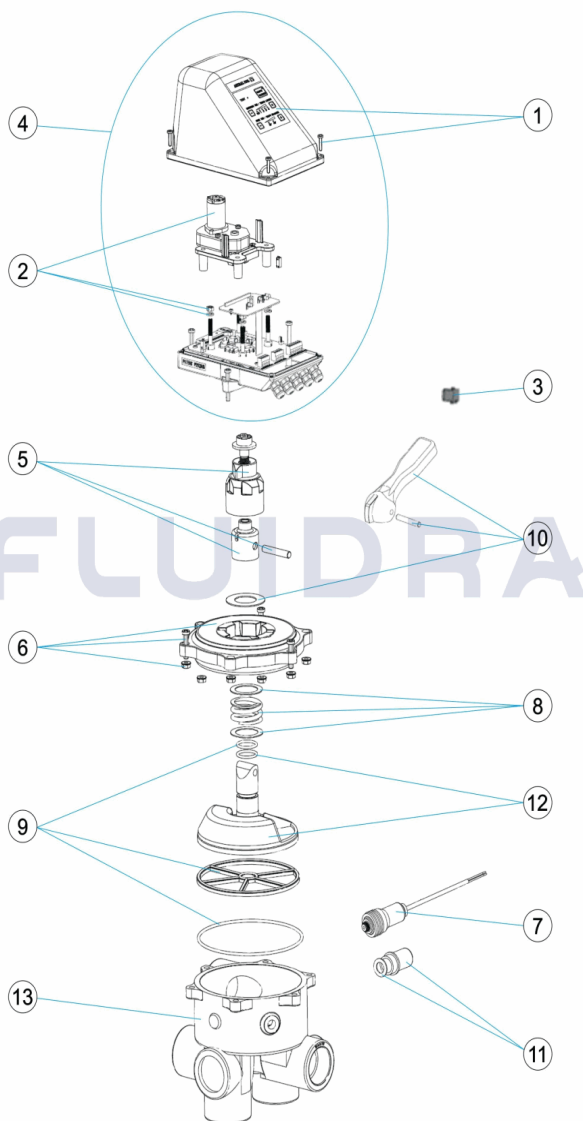
DESCRIPTION: **AUTOMATIC MULTIPORT VALVE 1 1/2"**

OBSERVATIONS

POS	CODE	OBSERVATIONS
1	* 4404121504	FOR: 32581 ACTUADOR ORIGINAL / ORIGINAL ACTUATOR
1	* 4404121505	FOR: 32582 ACTUADOR ORIGINAL / ORIGINAL ACTUATOR
1	* 4404120065	FOR: SI SE ACTUALIZO A VRAC III / IF UPDATED TO VRAC III
2	* 4404122702	FOR: ACTUADOR ORIGINAL / ORIGINAL ACTUATOR
2	* 4404120049	FOR: SI SE ACTUALIZO A VRAC III / IF UPDATED TO VRAC III
4	* 4404120062	FOR: 32581 ACTUALIZAR A VRAC III / TO UPDATE TO VRAC III
4	* 4404120063	FOR: 32582 ACTUALIZAR A VRAC III / TO UPDATE TO VRAC III
6	* 4404122707	FOR: 32581
6	* 4404122708	FOR: 32582
7	* 4404121501	FOR: 32581
7	* 4404122709	FOR: 32582
9	* 4404120107	FOR: 32581
9	* 4404120407	FOR: 32582
12	* 4404120106	FOR: 32581
12	* 4404122710	FOR: 32582
13	* 00598R0101	FOR: 32581
13	* 07444R0101	FOR: 32582

CODICE **32581, 32582**

DESCRIZIONE: **VALVOLA SELETRICE AUTOMATICA 1 1/2"**



ITALIANO

POS	CODICE	DESCRIZIONE	QUANTITA'	POS	CODICE	DESCRIZIONE	QUANTITA'
1	* 4404121504	COPERCHIO ATTUATORE 1 1/2"		7	* 4404121501	KIT PRESSOSTATO + RONDELLA + CAVO 1	
1	* 4404121505	COPERCHIO ATTUATORE 2"		7	* 4404122709	KIT PRESSOSTATO + RONDELLA + CAVO 2'	
1	* 4404120065	SET TAPPO SCATOLA ATTUATORE		8	4404120105	MOLLA CON RONDELLA	
2	* 4404122702	KIT SUPPORTO MOTORIDUTTORE		9	* 4404120107	GUARNIZIONI VALVOLA 1 1/2' NUOVO	
2	* 4404120049	SET SUPPORTO MOTORIDUTTORE		9	* 4404120407	GUARNIZIONI VALVOLA 2'	
3	4404121107	COPERCHIO 1/4' VALVOLA		10	4404120102	MANIGLIA NERA 1 1/2' - 2'	
4	* 4404120062	ATTUATORE VSA BASIC 1 1/2"		11	4404120108	VISORE CON GUARNIZIONE	
4	* 4404120063	KIT ATTUATORE VSA BASIC 2"		12	* 4404120106	DISTRIBUTORE CON GUARNIZIONI 1 1/2' NI	
5	4404121502	KIT LEVA		12	* 4404122710	DISTRIBUTORE CON GUARNIZIONI 2'	
6	* 4404122707	COPERCHIO VALVOLA 1 1/2"		13	* 00598R0101	CORPO 1 1/2" POS.3 NER "	
6	* 4404122708	COPERCHIO VALVOLA 2"		13	* 07444R0101	CORPO POS.3 NERO CON RACCORDO	

CODICE **32581, 32582**

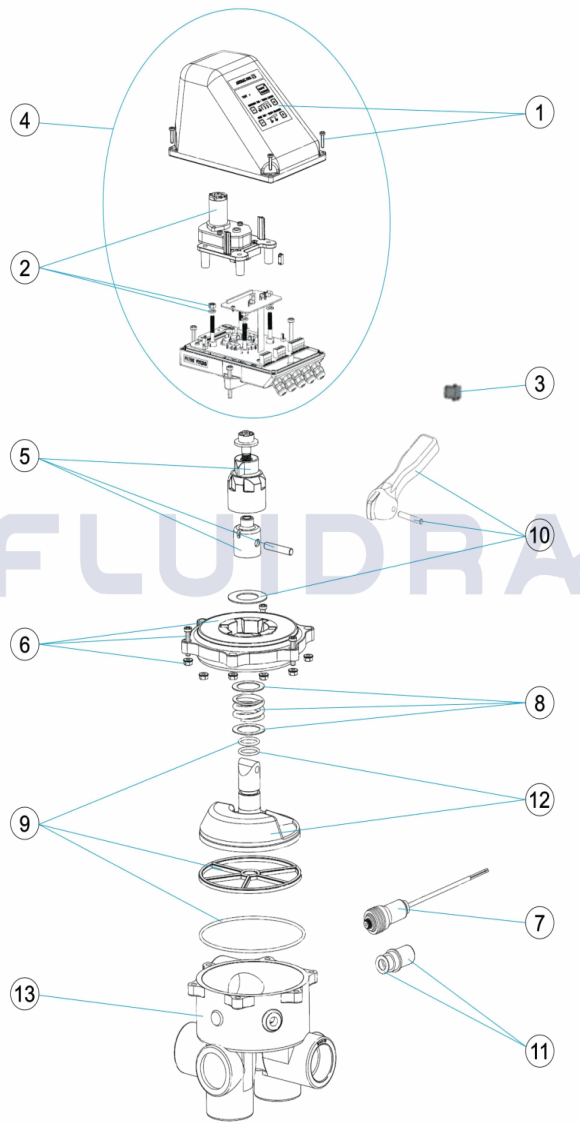
DESCRIZIONE: **VALVOLA SELETRICE AUTOMATICA 1 1/2"**

OSSERVAZIONI

POS	CODICE	OSSERVAZIONI
1	* 4404121504	PER: 32581 ACTUADOR ORIGINAL / ORIGINAL ACTUATOR
1	* 4404121505	PER: 32582 ACTUADOR ORIGINAL / ORIGINAL ACTUATOR
1	* 4404120065	PER: SI SE ACTUALIZO A VRAC III / IF UPDATED TO VRAC III
2	* 4404122702	PER: ACTUADOR ORIGINAL / ORIGINAL ACTUATOR
2	* 4404120049	PER: SI SE ACTUALIZO A VRAC III / IF UPDATED TO VRAC III
4	* 4404120062	PER: 32581 ACTUALIZAR A VRAC III / TO UPDATE TO VRAC III
4	* 4404120063	PER: 32582 ACTUALIZAR A VRAC III / TO UPDATE TO VRAC III
6	* 4404122707	PER: 32581
6	* 4404122708	PER: 32582
7	* 4404121501	PER: 32581
7	* 4404122709	PER: 32582
9	* 4404120107	PER: 32581
9	* 4404120407	PER: 32582
12	* 4404120106	PER: 32581
12	* 4404122710	PER: 32582
13	* 00598R0101	PER: 32581
13	* 07444R0101	PER: 32582

CODE 32581, 32582

BESCHREIBUNG: MEHRWEGVENTIL AUTOMATISCH 1 "



DEUTSCH

POS	CODE	BESCHREIBUNG	MENGE	POS	CODE	BESCHREIBUNG	MENGE
1	* 4404121504	ABDECKUNG AUSLÖSER 1 1/2"		7	* 4404121501	PRESOSTAT MIT UNTERLEGSCHIEBE MIT F	
1	* 4404121505	ABDECKUNG AUSLÖSER 2"		7	* 4404122709	SET DRUCKMESSER MIT UNTERLEGSCHIE	
1	* 4404120065	SET ABDECKUNG GEHÄUSE AUSLÖSER		8	4404120105	FEDER MIT UNTERLEGSCHIEBEN	
2	* 4404122702	SET HALTERUNG REDUZIERMOTOR		9	* 4404120107	VENTILDICHTUNGEN 1 1/2" NEUVERSION	
2	* 4404120049	SET HALTERUNG REDUZIERMOTOR		9	* 4404120407	VENTILDICHTUNGEN 2'	
3	4404121107	STOPFEN 1/4' VENTIL		10	4404120102	GRIFF SCHWARZ 1 1/2' - 2'	
4	* 4404120062	SET AUSLÖSER VSA. BASIC 1 1/2"		11	4404120108	SCHAUGLAS UND DICHTUNG	
4	* 4404120063	SET AUSLÖSER 2" BASIC		12	* 4404120106	VERTEILER UND DICHTUNGEN 1 1/2" NEUV	
5	4404121502	SET EINRASTSCHNAPPE		12	* 4404122710	VERTEILER UND DICHTUNGEN 2"	
6	* 4404122707	ABDECKUNG MEHRWEGVENTIL 1 1/2"		13	* 00598R0101	GEHÄUSE SCHWARZ 1 1/2" POSITION 3"	
6	* 4404122708	ABDECKUNG MEHRWEGVENTIL 2" SCHWARZ		13	* 07444R0101	GEHÄUSE SCHWARZ 2" POSITION 3 MIT GE	

CODE **32581, 32582**

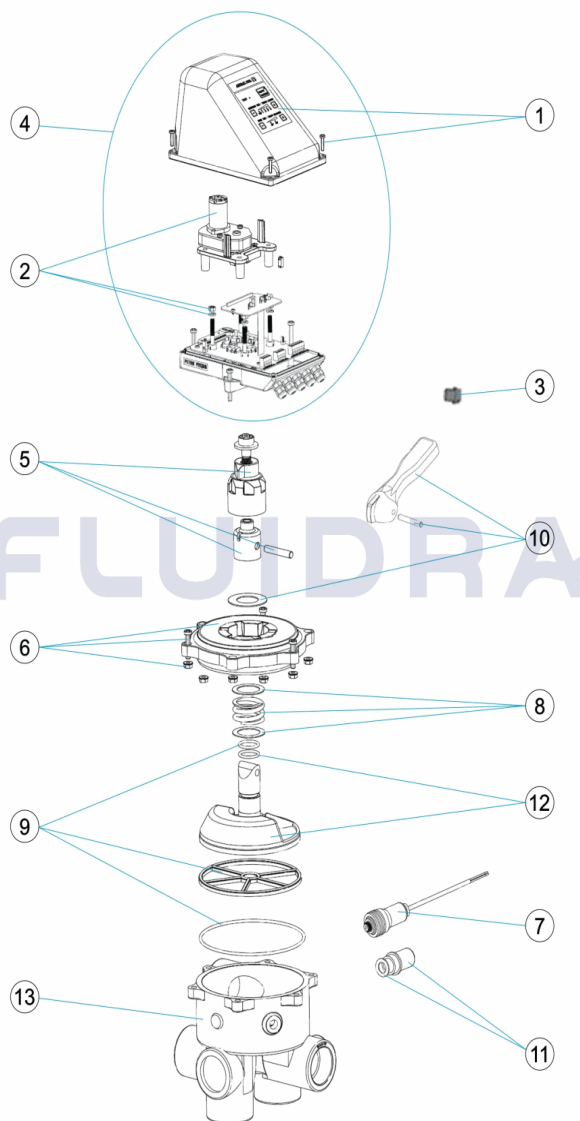
BESCHREIBUNG: **MEHRWEGVENTIL AUTOMATISCH 1 "**

HINWEISE

POS	CODE	HINWEISE
1	* 4404121504	FÜR: 32581 ACTUADOR ORIGINAL / ORIGINAL ACTUATOR
1	* 4404121505	FÜR: 32582 ACTUADOR ORIGINAL / ORIGINAL ACTUATOR
1	* 4404120065	FÜR: SI SE ACTUALIZO A VRAC III / IF UPDATED TO VRAC III
2	* 4404122702	FÜR: ACTUADOR ORIGINAL / ORIGINAL ACTUATOR
2	* 4404120049	FÜR: SI SE ACTUALIZO A VRAC III / IF UPDATED TO VRAC III
4	* 4404120062	FÜR: 32581 ACTUALIZAR A VRAC III / TO UPDATE TO VRAC III
4	* 4404120063	FÜR: 32582 ACTUALIZAR A VRAC III / TO UPDATE TO VRAC III
6	* 4404122707	FÜR: 32581
6	* 4404122708	FÜR: 32582
7	* 4404121501	FÜR: 32581
7	* 4404122709	FÜR: 32582
9	* 4404120107	FÜR: 32581
9	* 4404120407	FÜR: 32582
12	* 4404120106	FÜR: 32581
12	* 4404122710	FÜR: 32582
13	* 00598R0101	FÜR: 32581
13	* 07444R0101	FÜR: 32582

CODIGO **32581, 32582**

DESCRIÇÃO: **VÁLVULA SELECTORA AUTOMÁTICA 1 1/2"**



PORTUGUES

POS	CODIGO	DESCRIÇÃO	JANTIDADE	POS	CODIGO	DESCRIÇÃO	JANTIDADE
1	* 4404121504	TAMPA ACTUADOR 1 1/2"		7	* 4404121501	CJTO. PRESSOSTATO + ANILHA + CABO 1 1	
1	* 4404121505	TAMPA ACTUADOR 2"		7	* 4404122709	CJTO. PRESSOSTATO + ANILHA + CABO 2"	
1	* 4404120065	CJTO. TAMPA CAIXA ATUADOR		8	4404120105	MOLA COM ANILHAS	
2	* 4404122702	CJTO.SUPORTE REDUTOR DE MOTOR		9	* 4404120107	JUNTAS VÁLVULA 1 1/2'	
2	* 4404120049	CJTO. SUPORTE MOTOREDUCTOR		9	* 4404120407	JUNTAS VÁLVULA 2'	
3	4404121107	TAMPÃO 1/4" VÁLVULA		10	4404120102	MANIPULO PRETO 1 1/2"-2'	
4	* 4404120062	CJTO. ACTUADOR VSA BASIC 1 1/2"		11	4404120108	VISOR COM JUNTA	
4	* 4404120063	CJTO. ACTUADOR VSA BASIC 2"		12	* 4404120106	DISTRIBUIDOR COM JUNTAS 1 1/2"	
5	4404121502	CJTO. MANIPULO TRINQUETE		12	* 4404122710	DISTRIBUIDOR COM JUNTAS 2'	
6	* 4404122707	TAMPA VALVULA 1 1/2"		13	* 00598R0101	CORPO 1 1/2" POSIÇÃO 3 NEGR "	
6	* 4404122708	TAMPA VALVULA 2"		13	* 07444R0101	CORPO POSIÇÃO 3 NEGRO COM RACORD	

CODIGO **32581, 32582**

DESCRIÇÃO: **VÁLVULA SELECTORA AUTOMÁTICA 1 1/2"**

OBSERVAÇÕES

POS	CODIGO	OBSERVAÇÕES
1	* 4404121504	PARA: 32581 ACTUADOR ORIGINAL / ORIGINAL ACTUATOR
1	* 4404121505	PARA: 32582 ACTUADOR ORIGINAL / ORIGINAL ACTUATOR
1	* 4404120065	PARA: SI SE ACTUALIZO A VRAC III / IF UPDATED TO VRAC III
2	* 4404122702	PARA: ACTUADOR ORIGINAL / ORIGINAL ACTUATOR
2	* 4404120049	PARA: SI SE ACTUALIZO A VRAC III / IF UPDATED TO VRAC III
4	* 4404120062	PARA: 32581 ACTUALIZAR A VRAC III / TO UPDATE TO VRAC III
4	* 4404120063	PARA: 32582 ACTUALIZAR A VRAC III / TO UPDATE TO VRAC III
6	* 4404122707	PARA: 32581
6	* 4404122708	PARA: 32582
7	* 4404121501	PARA: 32581
7	* 4404122709	PARA: 32582
9	* 4404120107	PARA: 32581
9	* 4404120407	PARA: 32582
12	* 4404120106	PARA: 32581
12	* 4404122710	PARA: 32582
13	* 00598R0101	PARA: 32581
13	* 07444R0101	PARA: 32582