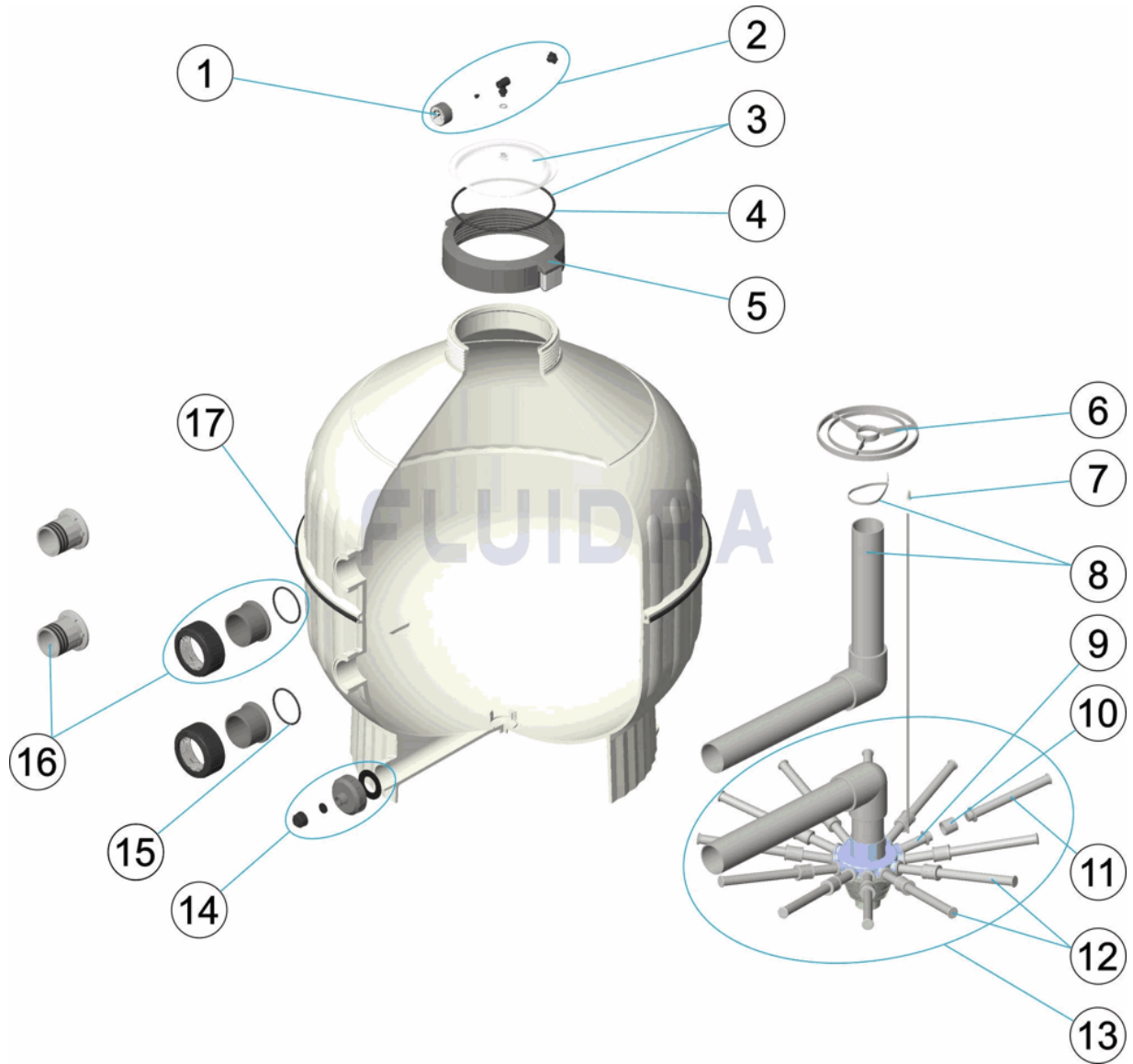


CODIGO **22402**

DESCRIPCION: **FILTRO CANTABRIC 900**



**ESPAÑOL**

| POS | CODIGO       | DESCRIPCION                 | CANTIDAD | POS | CODIGO       | DESCRIPCION                       | CANTIDAD |
|-----|--------------|-----------------------------|----------|-----|--------------|-----------------------------------|----------|
| 1   | 4404010103   | MANOMETRO 1/8" 3 KG./C "    |          | 10  | * 4404180118 | MANGUITO ENLACE 3/4"              |          |
| 2   | 4404080104   | MANOMETRO COMPLETO          |          | 11  | * 4404300712 | BRAZO COLECTOR 3/4" 225M "        |          |
| 3   | 4404180112   | TAPA TRANSPARENTE + ANILLO  |          | 12  | 4404180009   | CJTO. BRAZOS COLECTOR D. 900 3/4" |          |
| 4   | 4404180111   | JUNTA TORICA                |          | 13  | 4404180011   | CJTO. COLECTOR D.900              |          |
| 5   | 4404180113   | TAPA ROSCADA PARTIDA        |          | 14  | 4404180114   | PURGA ARENA 2'                    |          |
| 6   | 4404180122   | ANILLO CENTRADOR D. 227     |          | 15  | 4404010351   | JUNTA TORICA 81X5                 |          |
| 7   | 4404040108   | PURGA AIRE                  |          | 16  | * 4404180115 | RACORD 2 1/2" ROSCADO             |          |
| 8   | 4404180008   | CJTO. DIFUSOR D. 900        |          | 16  | * 4404180116 | RACORD 2 1/2" ENCOLADO            |          |
| 9   | * 4404180117 | BRAZO COLECTOR 3/4" 100 M " |          | 17  | 4404180029   | PERFIL EMBELLECEDOR D. 900        |          |

**CODIGO 22402**

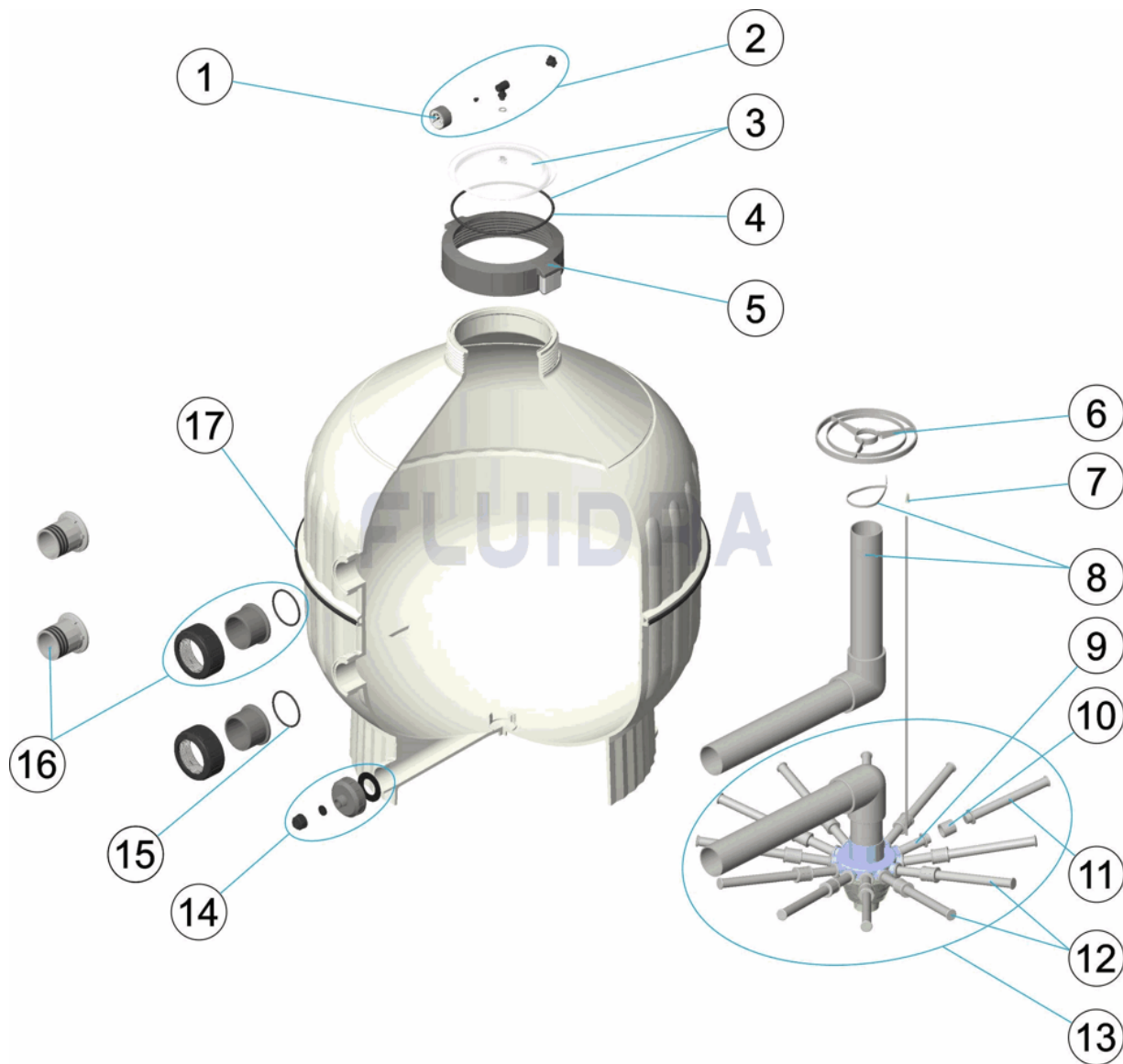
**DESCRIPCION: FILTRO CANTABRIC 900**

## OBSERVACIONES

| POS | CODIGO       | OBSERVACIONES            |
|-----|--------------|--------------------------|
| 9   | * 4404180117 | PARA: 22402 [3UT]        |
| 10  | * 4404180118 | PARA: 22402 [3UT]        |
| 11  | * 4404300712 | PARA: 22402 [6UT]        |
| 16  | * 4404180115 | PARA: ROSCADO / THREADED |
| 16  | * 4404180116 | PARA: ENCOLADO / PLAIN   |

CODE 22402

DESCRIPTION: FILTRE CANTABRIC 900



FRANCAIS

| POS | CODE         | DESCRIPTION                     | QUANTITE | POS | CODE         | DESCRIPTION                         | QUANTITE |
|-----|--------------|---------------------------------|----------|-----|--------------|-------------------------------------|----------|
| 1   | 4404010103   | MANOMETRE 1/8" 3 KG./C "        |          | 10  | * 4404180118 | MANCHON 3/4"                        |          |
| 2   | 4404080104   | MANOMETRE COMPLET               |          | 11  | * 4404300712 | BRAS DE REPARTITEUR 3/4" 225M "     |          |
| 3   | 4404180112   | COUVERCLE TRANSPARENT + JOINT   |          | 12  | 4404180009   | ENSEMBLE BRAS DE REPARTITEUR D. 900 |          |
| 4   | 4404180111   | JOINT TORIQUE                   |          | 13  | 4404180011   | ENSEMBLE COLLECTEUR D. 900          |          |
| 5   | 4404180113   | ECROU DE COUVERCLE DEUX PARTIES |          | 14  | 4404180114   | PURGE SABLE 2"                      |          |
| 6   | 4404180122   | DISQUE CENTREUR D. 227          |          | 15  | 4404010351   | JOINT TORIQUE 81X5                  |          |
| 7   | 4404040108   | PURGE D'AIR                     |          | 16  | * 4404180115 | RACCORDS 2 1/2" À VISSER            |          |
| 8   | 4404180008   | ENSEMBLE DIFFUSEUR D. 900       |          | 16  | * 4404180116 | RACCORDS 2 1/2" À COLLER            |          |
| 9   | * 4404180117 | BRAS DE REPARTITEUR 3/4" 100M " |          | 17  | 4404180029   | ANNEAU DE PROTECTION D. 900         |          |

CODE **22402**

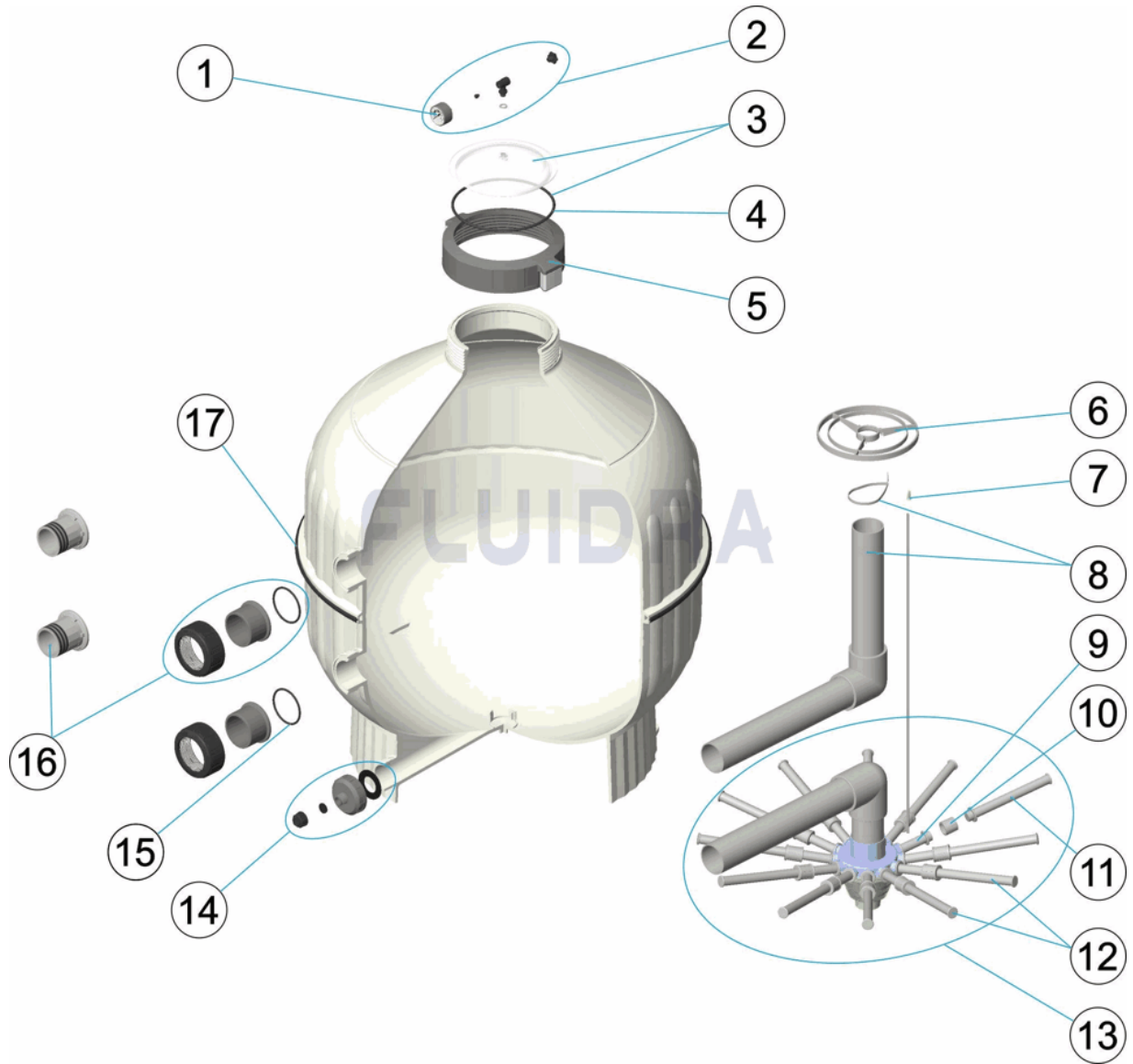
DESCRIPTION: **FILTRE CANTABRIC 900**

**OBSERVATIONS**

| POS | CODE         | OBSERVATIONS             |
|-----|--------------|--------------------------|
| 9   | * 4404180117 | POUR: 22402 [3UT]        |
| 10  | * 4404180118 | POUR: 22402 [3UT]        |
| 11  | * 4404300712 | POUR: 22402 [6UT]        |
| 16  | * 4404180115 | POUR: ROSCADO / THREADED |
| 16  | * 4404180116 | POUR: ENCOLADO / PLAIN   |

CODE **22402**

DESCRIPTION: **CANTABRIC FILTER 900**



**ENGLISH**

| POS | CODE         | DESCRIPTION                   | QUANTITY | POS | CODE         | DESCRIPTION                  | QUANTITY |
|-----|--------------|-------------------------------|----------|-----|--------------|------------------------------|----------|
| 1   | 4404010103   | PRESSURE GAUGE 1/8" 3 KG./C " |          | 10  | * 4404180118 | UNION BUSH 3/4"              |          |
| 2   | 4404080104   | COMPLETE PRESSURE GAUGE UNIT  |          | 11  | * 4404300712 | MANIFOLD ARM 3/4" 225 M "    |          |
| 3   | 4404180112   | TRANSPARENT LID + GASKET      |          | 12  | 4404180009   | MANIFOLD ARM ASSEMBLY D. 900 |          |
| 4   | 4404180111   | O' RING                       |          | 13  | 4404180011   | MANIFOLD ASSEMBLY D. 900     |          |
| 5   | 4404180113   | SPLIT THREADED COLLAR         |          | 14  | 4404180114   | SAND PURGE 2'                |          |
| 6   | 4404180122   | CENTERING RING D. 227         |          | 15  | 4404010351   | 81X5 O'RING                  |          |
| 7   | 4404040108   | AIR PURGE                     |          | 16  | * 4404180115 | 2 1/2" BSP EXTERNAL UNIONS   |          |
| 8   | 4404180008   | DIFFUSER ASSEMBLY D. 900      |          | 16  | * 4404180116 | 2 1/2" PLAIN EXTERNAL UNIONS |          |
| 9   | * 4404180117 | MANIFOLD ARM 3/4" 100 M "     |          | 17  | 4404180029   | PROFILE FACEPLATE D. 900     |          |

CODE                    **22402**

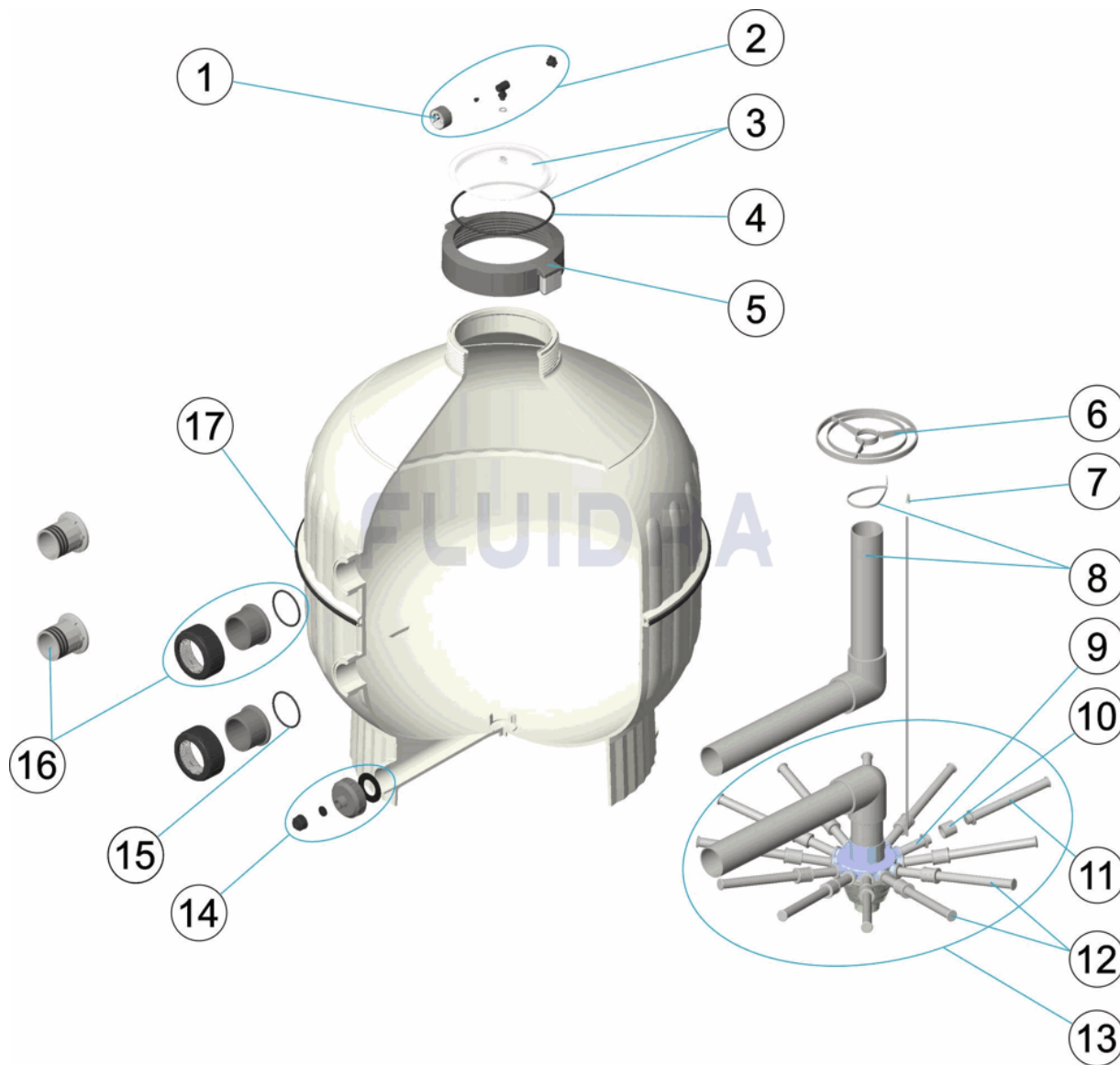
DESCRIPTION: **CANTABRIC FILTER 900**

**OBSERVATIONS**

| POS | CODE         | OBSERVATIONS            |
|-----|--------------|-------------------------|
| 9   | * 4404180117 | FOR: 22402 [3UT]        |
| 10  | * 4404180118 | FOR: 22402 [3UT]        |
| 11  | * 4404300712 | FOR: 22402 [6UT]        |
| 16  | * 4404180115 | FOR: ROSCADO / THREADED |
| 16  | * 4404180116 | FOR: ENCOLADO / PLAIN   |

CODICE **22402**

DESCRIZIONE: **FILTRO CANTABRIC 900**



**ITALIANO**

| POS | CODICE       | DESCRIZIONE                       | QUANTITA' | POS | CODICE       | DESCRIZIONE                       | QUANTITA' |
|-----|--------------|-----------------------------------|-----------|-----|--------------|-----------------------------------|-----------|
| 1   | 4404010103   | MANOMETRO 1/8" 3 KG./C "          |           | 10  | * 4404180118 | MANICOTTO DA 1" 3/4"              |           |
| 2   | 4404080104   | MANOMETRO COMPLETO                |           | 11  | * 4404300712 | CANDELOTTO COLLECTORE 3/4" 225M " |           |
| 3   | 4404180112   | COPERCHIO TRASPARENTE + ANELLO    |           | 12  | 4404180009   | GRUPPO CANDELOTTO COLLECTORE D. 9 |           |
| 4   | 4404180111   | O-RING                            |           | 13  | 4404180011   | KIT COLLECTORE D. 900             |           |
| 5   | 4404180113   | GHIERA COPERCHIO                  |           | 14  | 4404180114   | SCARICO SABBIA 2'                 |           |
| 6   | 4404180122   | ANELLO CENTRAGGIO D. 227          |           | 15  | 4404010351   | O-RING 81X5                       |           |
| 7   | 4404040108   | SFIATO ARIA                       |           | 16  | * 4404180115 | RACCORDI USCITA 2 '               |           |
| 8   | 4404180008   | RACCORDO DIFFUSORE D. 900         |           | 16  | * 4404180116 | RACCORDI USCITA 75                |           |
| 9   | * 4404180117 | CANDELOTTO COLLECTORE 3/4" 100M " |           | 17  | 4404180029   | PROFILO FLANGIA D. 900            |           |

**CODICE 22402**

**DESCRIZIONE: FILTRO CANTABRIC 900**

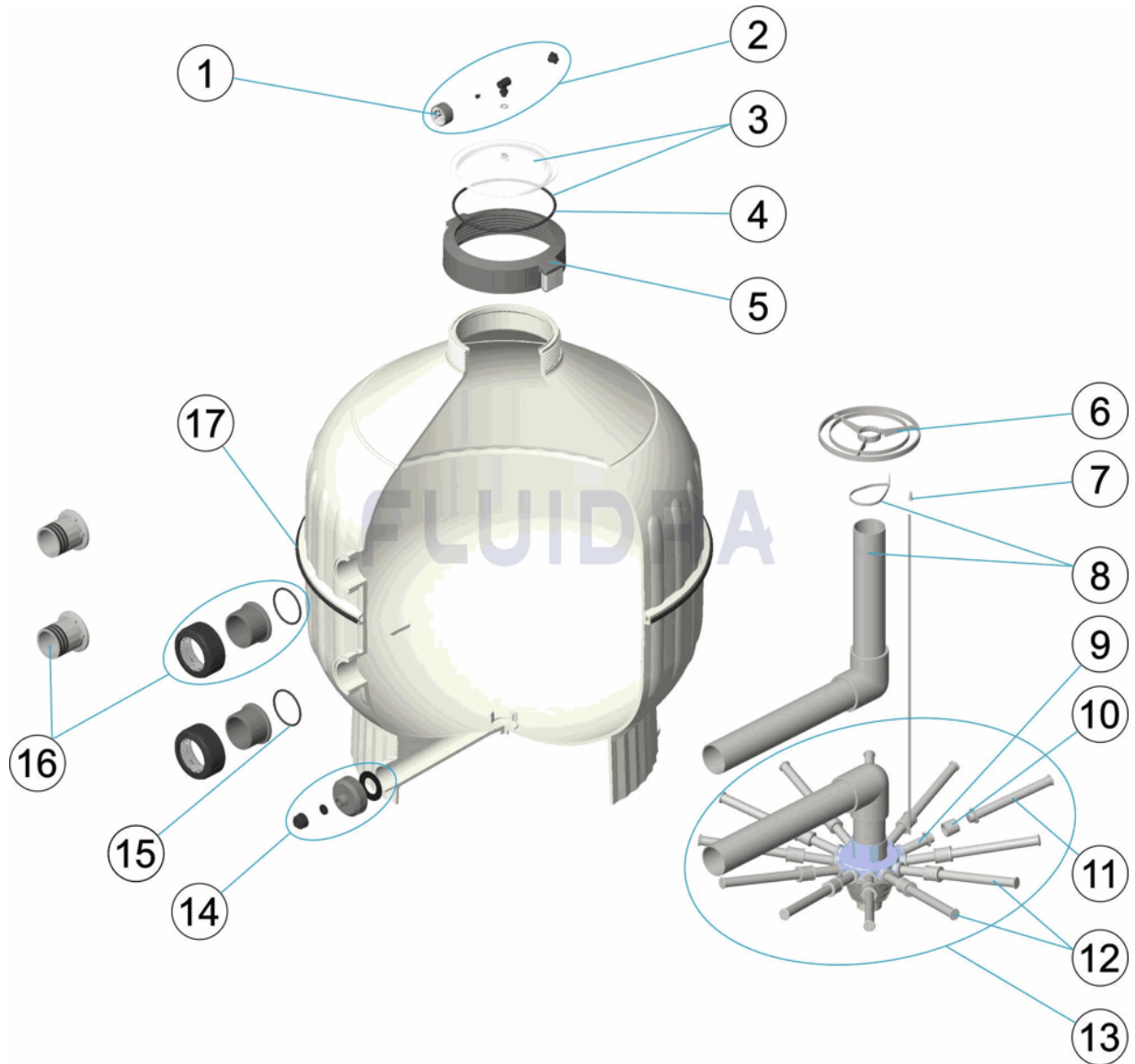
**OSSERVAZIONI**

| POS | CODICE       | OSSERVAZIONI            |
|-----|--------------|-------------------------|
| 9   | * 4404180117 | PER: 22402 [3UT]        |
| 10  | * 4404180118 | PER: 22402 [3UT]        |
| 11  | * 4404300712 | PER: 22402 [6UT]        |
| 16  | * 4404180115 | PER: ROSCADO / THREADED |
| 16  | * 4404180116 | PER: ENCOLADO / PLAIN   |



CODE 22402

BESCHREIBUNG: FILTER CANTABRIC 900



DEUTSCH

| POS | CODE         | BESCHREIBUNG                         | MENGE | POS | CODE         | BESCHREIBUNG                          | MENGE |
|-----|--------------|--------------------------------------|-------|-----|--------------|---------------------------------------|-------|
| 1   | 4404010103   | MANOMETER 1/8" 3 KG/C "              |       | 10  | * 4404180118 | NIPPEL ANSCHLUSS 3/4"                 |       |
| 2   | 4404080104   | MANOMETER KOMPLETT                   |       | 11  | * 4404300712 | FILTERSTERN-SCHLITZROHR 3/4" 225M "   |       |
| 3   | 4404180112   | ABDECKUNG TRANSPARENT MIT RING       |       | 12  | 4404180009   | SET FILTERSTERN-SCHLITZROHR D. 900 3) |       |
| 4   | 4404180111   | O-RING                               |       | 13  | 4404180011   | SAMMELROHRSET D. 900                  |       |
| 5   | 4404180113   | ABDECKUNG GEWINDE                    |       | 14  | 4404180114   | SANDENTLEERUNG 2'                     |       |
| 6   | 4404180122   | ZENTRIERING D. 227                   |       | 15  | 4404010351   | O-RING 81X5                           |       |
| 7   | 4404040108   | ENTLÜFTUNG                           |       | 16  | * 4404180115 | GEWINDE 2 1/2'                        |       |
| 8   | 4404180008   | SET WASSERVERTEILER D. 900           |       | 16  | * 4404180116 | GEWINDESTÜCK 2 1/2' GEKLEBT           |       |
| 9   | * 4404180117 | FILTERSTERN-SCHLITZROHR 3/4" 100 M " |       | 17  | 4404180029   | PROFIL BLENDE D. 900                  |       |

CODE **22402**

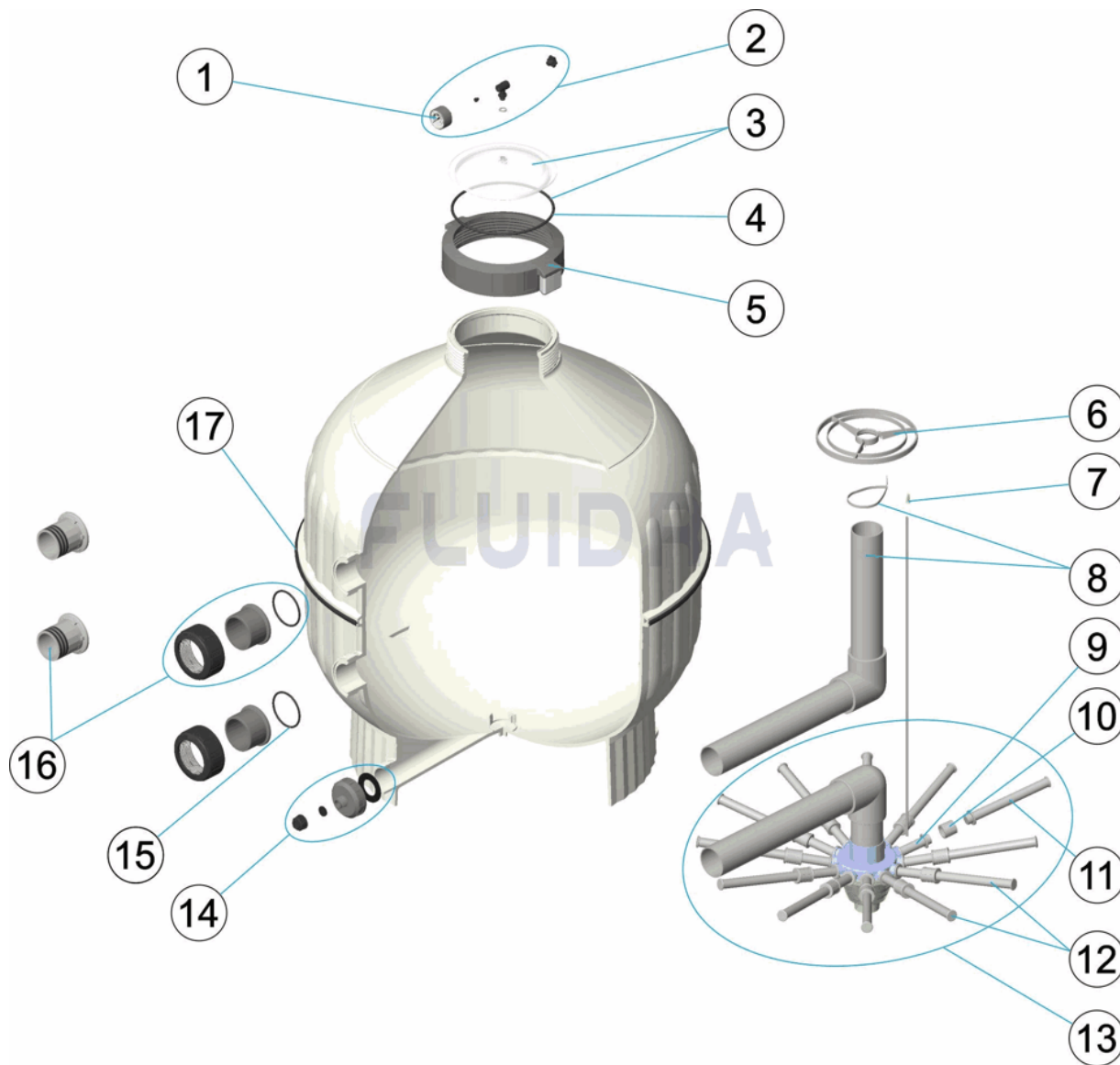
BESCHREIBUNG: **FILTER CANTABRIC 900**

**HINWEISE**

| POS | CODE         | HINWEISE                |
|-----|--------------|-------------------------|
| 9   | * 4404180117 | FÜR: 22402 [3UT]        |
| 10  | * 4404180118 | FÜR: 22402 [3UT]        |
| 11  | * 4404300712 | FÜR: 22402 [6UT]        |
| 16  | * 4404180115 | FÜR: ROSCADO / THREADED |
| 16  | * 4404180116 | FÜR: ENCOLADO / PLAIN   |

CODIGO **22402**

DESCRIÇÃO: **FILTRO CANTABRIC 900**



**PORTUGUES**

| POS | CODIGO       | DESCRIÇÃO                  | JANTIDADE | POS | CODIGO       | DESCRIÇÃO                  | JANTIDADE |
|-----|--------------|----------------------------|-----------|-----|--------------|----------------------------|-----------|
| 1   | 4404010103   | MANOMETRO 1/8" 3 KG./C "   |           | 10  | * 4404180118 | MANGUITO UNIÃO 3/4"        |           |
| 2   | 4404080104   | MANÓMETRO COMPLETO         |           | 11  | * 4404300712 | BRAÇO COLECTOR 3/4" 225M " |           |
| 3   | 4404180112   | TAMPA TRANSPARENTE + ARO   |           | 12  | 4404180009   | CJTO. DIFUSOR D. 900       |           |
| 4   | 4404180111   | JUNTA TÓRICA               |           | 13  | 4404180011   | CJTO. COLECTOR D. 900      |           |
| 5   | 4404180113   | TAMPA ROSCADA PARTIDA      |           | 14  | 4404180114   | PURGA AREIA 2"             |           |
| 6   | 4404180122   | ARO CENTRADOR D. 227       |           | 15  | 4404010351   | JUNTA TÓRICA 81X5          |           |
| 7   | 4404040108   | PURGA AREIA                |           | 16  | * 4404180115 | RACORD 2 1/2" ROSCAD "     |           |
| 8   | 4404180008   | CJTO. DIFUSOR D. 900       |           | 16  | * 4404180116 | RACORD 2 1/2" COLAD "      |           |
| 9   | * 4404180117 | BRAÇO COLECTOR 3/4" 100M " |           | 17  | 4404180029   | PERFIL EMBELEZADOR D. 900  |           |

**CODIGO 22402**

**DESCRIÇÃO: FILTRO CANTABRIC 900**

**OBSERVACÕES**

| POS | CODIGO       | OBSERVACÕES              |
|-----|--------------|--------------------------|
| 9   | * 4404180117 | PARA: 22402 [3UT]        |
| 10  | * 4404180118 | PARA: 22402 [3UT]        |
| 11  | * 4404300712 | PARA: 22402 [6UT]        |
| 16  | * 4404180115 | PARA: ROSCADO / THREADED |
| 16  | * 4404180116 | PARA: ENCOLADO / PLAIN   |