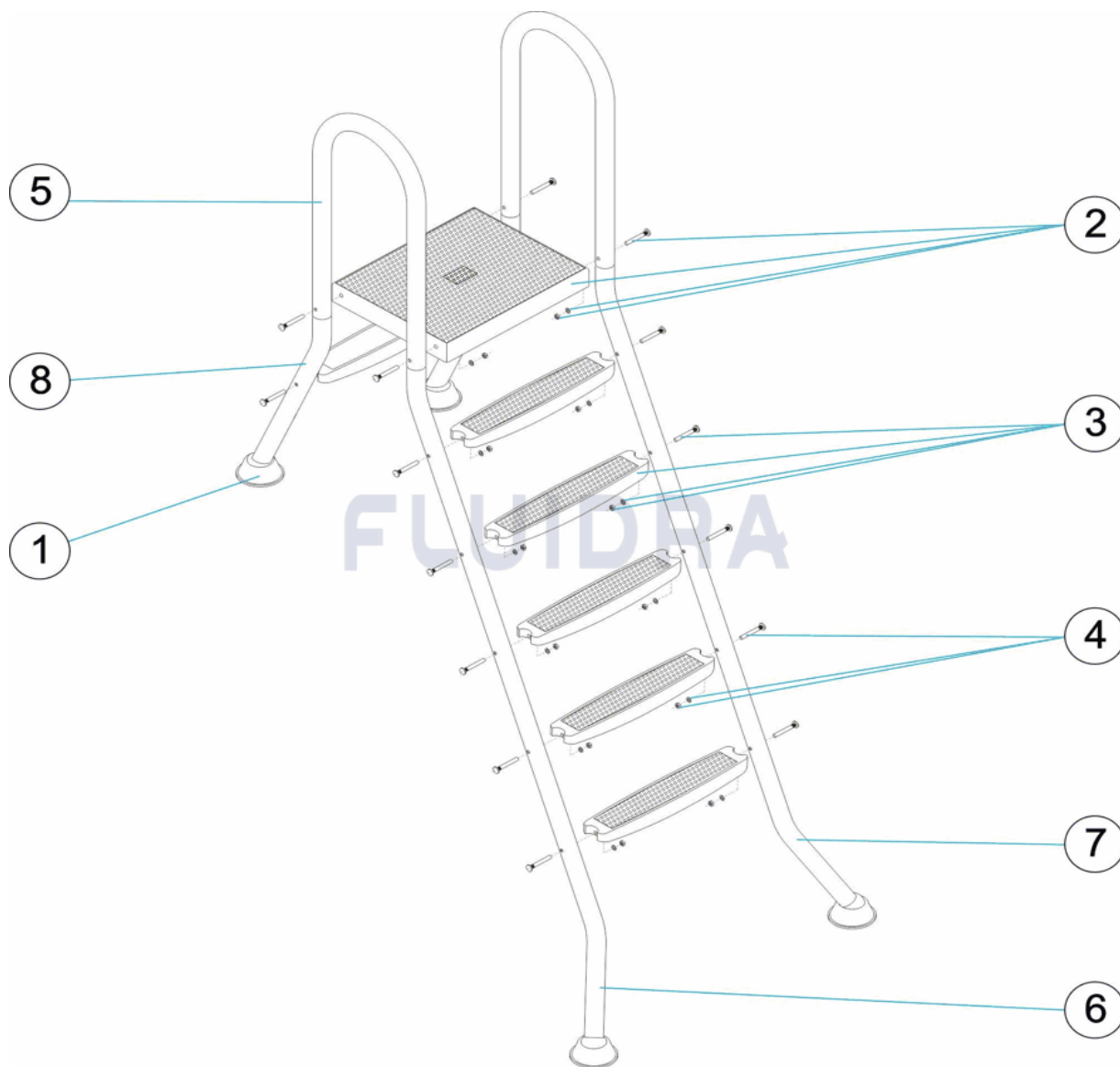


CODIGO 05523, 05524, 05525

DESCRIPCION: ESCALERA PISCINA SEMI-ELEVADA



ESPAÑOL

POS	CODIGO	DESCRIPCION	CANTIDAD	POS	CODIGO	DESCRIPCION	CANTIDAD
1	4401010501	TOPE ARTICULADO		6	* 00026R0002	PASAMANO DERECHO 4 PELDAÑOS	
2	4401011403	PELDAÑO PLASTICO		6	* 00027R0002	PASAMANO DERECHO 5 PELDAÑOS	
3	4401010026	PELDAÑO PLASTICO 500 INCLINADO A4		7	* 00025R0003	PASAMANO IZQUIERDO 3 PELDAÑOS	
4	4401010111	TORNILLERIA PELDAÑO 316		7	* 00026R0003	PASAMANO IZQUIERDO 4 PELDAÑOS	
5	00025R0001	PUENTE UNION		7	* 00027R0003	PASAMANO IZQUIERDO 5 PELDAÑOS	
6	* 00025R0002	PASAMANO DERECHO 3 PELDAÑOS		8	00028R0001	PASAMANO CORTO	

CODIGO **05523, 05524, 05525**

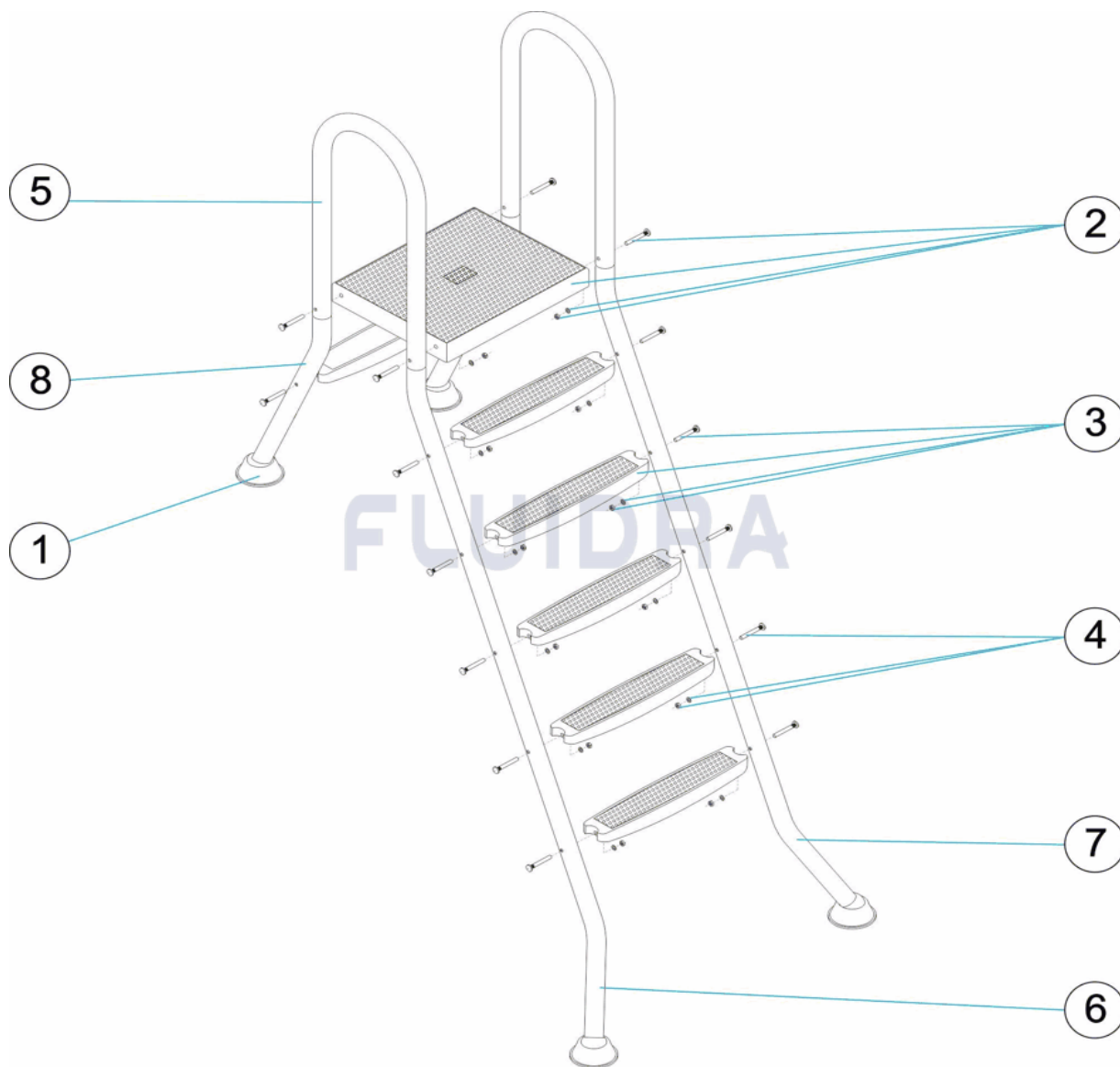
DESCRIPCION: ESCALERA PISCINA SEMI-ELEVADA

OBSERVACIONES

POS	CODIGO	OBSERVACIONES
6	* 00025R0002	PARA: 05523
6	* 00026R0002	PARA: 05524
6	* 00027R0002	PARA: 05525
7	* 00025R0003	PARA: 05523
7	* 00026R0003	PARA: 05524
7	* 00027R0003	PARA: 05525

CODE 05523, 05524, 05525

DESCRIPTION: ÉCHELLE PISCINE HORS SOL SEMI-ENTERRÉE



FRANCAIS

POS	CODE	DESCRIPTION	QUANTITE	POS	CODE	DESCRIPTION	QUANTITE
1	4401010501	TAMPON ARTICULÉ		6	* 00026R0002	MAIN COURANTE DROITE ECHELLE 4 MAR	
2	4401011403	MARCHE PLASTIQUE LARGEUR		6	* 00027R0002	MAIN COURANTE DROITE ECHELLE 5 MAR	
3	4401010026	MARCHE PLASTIQUE LARG 500 INCLINÉE		7	* 00025R0003	MAIN COURANTE GAUCHE ECHELLE 3 MAI	
4	4401010111	VISSERIE MARCHE AISI 316		7	* 00026R0003	MAIN COURANTE GAUCHE ECHELLE 4 MAI	
5	00025R0001	MONTANT ECHELLE DOUBLE		7	* 00027R0003	MAIN COURANTE GAUCHE ECHELLE 5 MAI	
6	* 00025R0002	MAIN COURANTE DROITE ECHELLE 3 MAF		8	00028R0001	MAIN COURANTE COURTE	

CODE **05523, 05524, 05525**

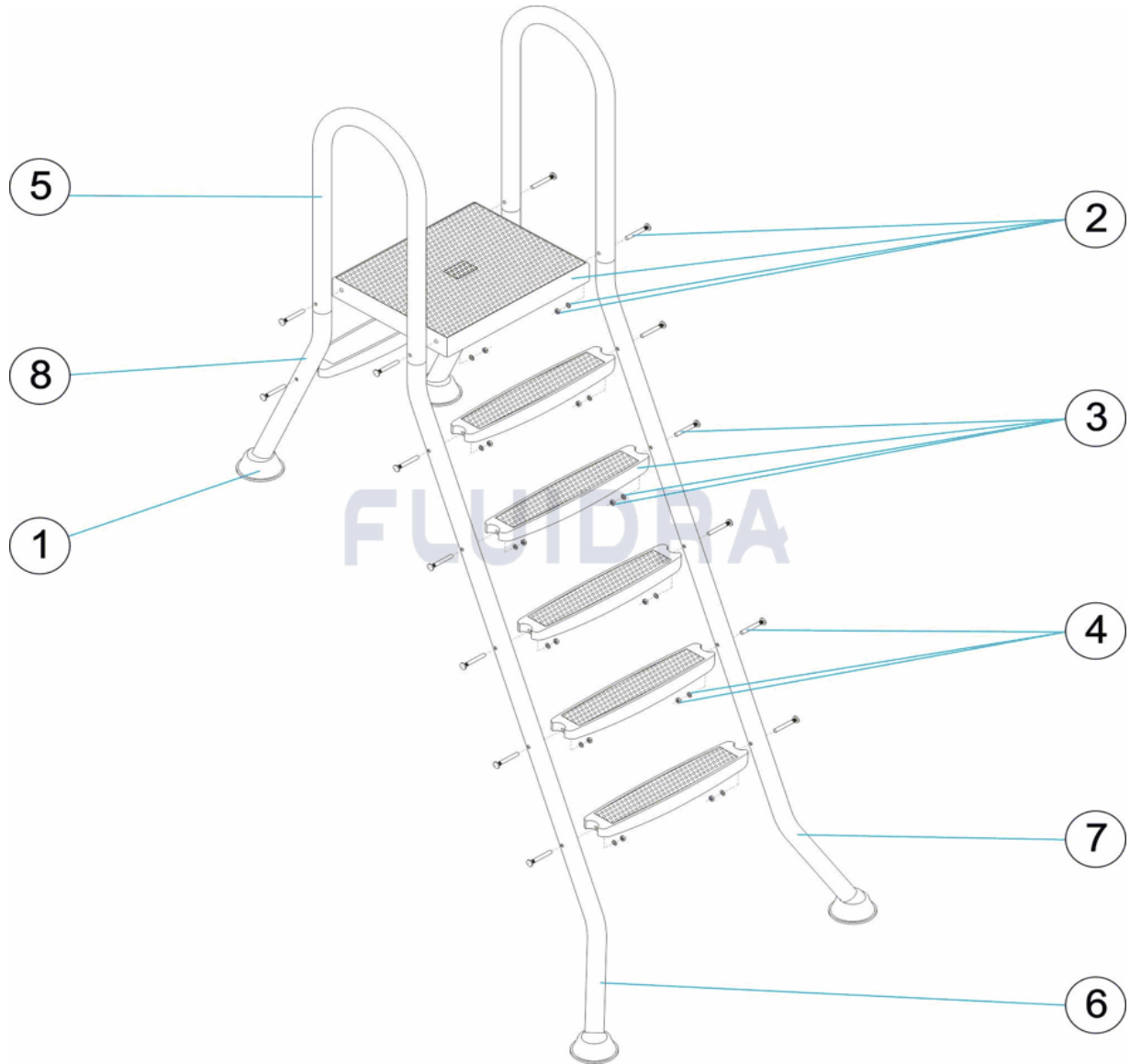
DESCRIPTION: **ÉCHELLE PISCINE HORS SOL SEMI-ENTERRÉE**

OBSERVATIONS

POS	CODE	OBSERVATIONS
6	* 00025R0002	POUR: 05523
6	* 00026R0002	POUR: 05524
6	* 00027R0002	POUR: 05525
7	* 00025R0003	POUR: 05523
7	* 00026R0003	POUR: 05524
7	* 00027R0003	POUR: 05525

CODE **05523, 05524, 05525**

DESCRIPTION: **SEMI-ABOVE-GROUND POOL LADDER**



ENGLISH

POS	CODE	DESCRIPTION	QUANTITY	POS	CODE	DESCRIPTION	QUANTITY
1	4401010501	ARTICULATED FOOT PAD		6	* 00026R0002	RIGHT HANDRAIL 4 TREAD LADDER	
2	4401011403	PLASTIC TREAD		6	* 00027R0002	RIGHT HANDRAIL 5 TREAD LADDER	
3	4401010026	ANGLED PLASTIC TREAD 500 A4		7	* 00025R0003	LEFT HANDRAIL 3 TREAD LADDER	
4	4401010111	TREAD BOLT SET 316		7	* 00026R0003	LEFT HANDRAIL 4 TREAD LADDER	
5	00025R0001	UNION		7	* 00027R0003	LEFT HANDRAIL 5 TREAD LADDER	
6	* 00025R0002	RIGHT HANDRAIL 3 TREAD LADDER		8	00028R0001	SHORT HANDRAIL	

CODE **05523, 05524, 05525**

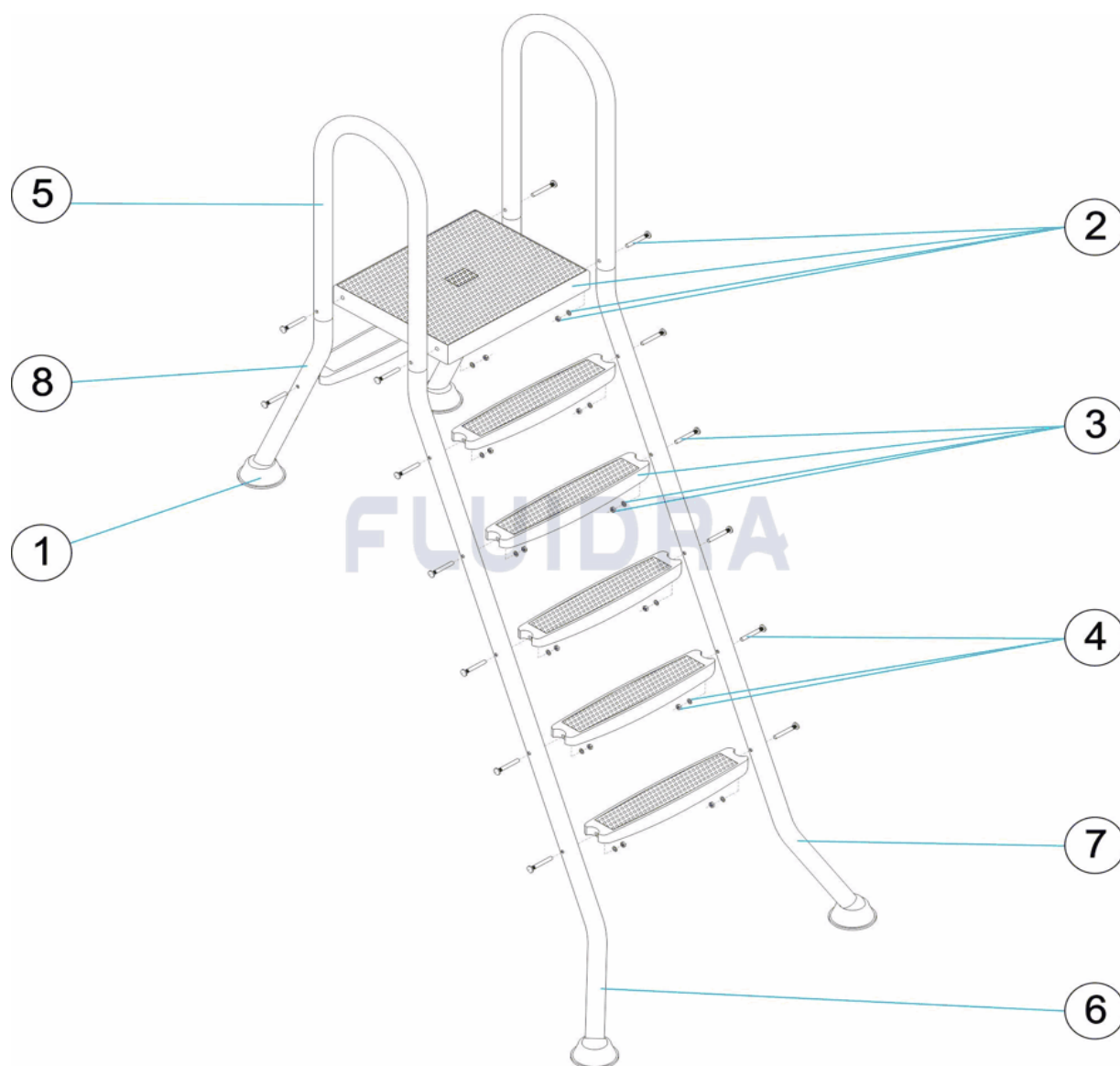
DESCRIPTION: **SEMI-ABOVE-GROUND POOL LADDER**

OBSERVATIONS

POS	CODE	OBSERVATIONS
6	* 00025R0002	FOR: 05523
6	* 00026R0002	FOR: 05524
6	* 00027R0002	FOR: 05525
7	* 00025R0003	FOR: 05523
7	* 00026R0003	FOR: 05524
7	* 00027R0003	FOR: 05525

CODICE 05523, 05524, 05525

DESCRIZIONE: SCALA PISCINA SEMI-ELEVATA



ITALIANO

POS	CODICE	DESCRIZIONE	QUANTITA'	POS	CODICE	DESCRIZIONE	QUANTITA'
1	4401010501	PIEDINO SNODABILE		6	* 00026R0002	CORRIMANO DIRITTO SCALA A 4 GR.	
2	4401011403	GRADINO IN PLASTICA		6	* 00027R0002	CORRIMANO DIRITTO SCALA A 5 GR.	
3	4401010026	GRADINO IN PLASTICA DA 500 INCLINATO		7	* 00025R0003	CORRIMANO SINISTRO X SCALA A 3GR.	
4	4401010111	BULLONERIA GRADINO AISI 316		7	* 00026R0003	CORRIMANO SINISTRO X SCALA A 4 GR.	
5	00025R0001	PONTE DI UNIONE		7	* 00027R0003	CORRIMANO SINISTRO X SCALA A 5 GR.	
6	* 00025R0002	CORRIMANO DIRITTO SCALA A 3 GR.		8	00028R0001	CORRIMANO CORTO	

CODICE **05523, 05524, 05525**

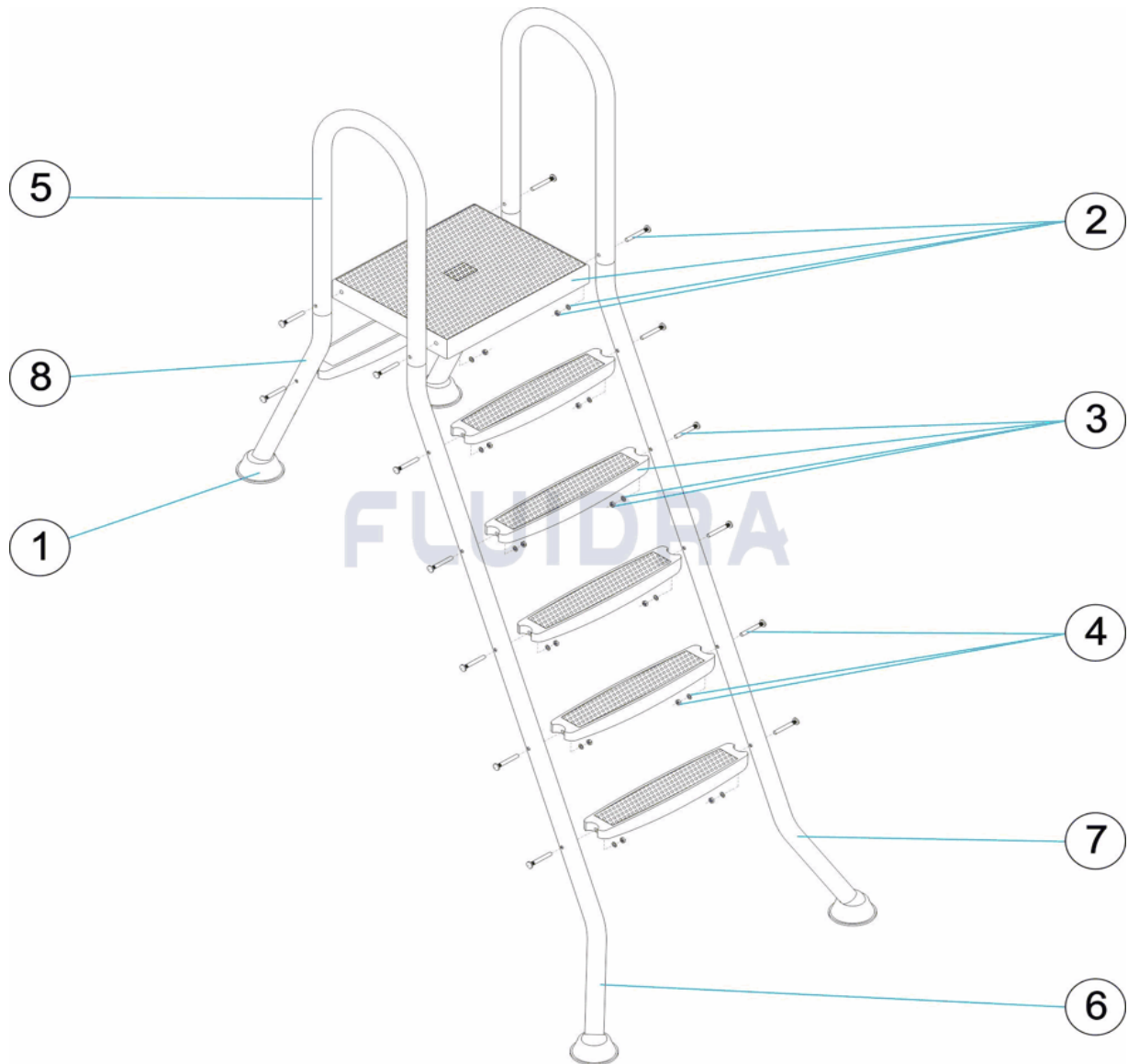
DESCRIZIONE: SCALA PISCINA SEMI-ELEVATA

OSSERVAZIONI

POS	CODICE	OSSERVAZIONI
6	* 00025R0002	PER: 05523
6	* 00026R0002	PER: 05524
6	* 00027R0002	PER: 05525
7	* 00025R0003	PER: 05523
7	* 00026R0003	PER: 05524
7	* 00027R0003	PER: 05525

CODE **05523, 05524, 05525**

BESCHREIBUNG: **TREPPE BECKEN HALBHOCH**



DEUTSCH

POS	CODE	BESCHREIBUNG	MENGE	POS	CODE	BESCHREIBUNG	MENGE
1	4401010501	BEWEGLICHER ABSCHLUSS		6	* 00026R0002	HANDLAUF RECHTS 4 STUFEN	
2	4401011403	STUFE KUNSTSTOFF		6	* 00027R0002	HANDLAUF RECHTS 5 STUFEN	
3	4401010026	STUFE KUNSTSTOFF 500 GENEIGT A4		7	* 00025R0003	HANDLAUF LINKS 3 STUFEN	
4	4401010111	SCHRAUBENSATZ STUFE 316		7	* 00026R0003	HANDLAUF LINKS 4 STUFEN	
5	00025R0001	VERBINDUNGSBRÜCKE		7	* 00027R0003	HANDLAUF LINKS 5 STUFEN	
6	* 00025R0002	HANDLAUF RECHTS 3 STUFEN		8	00028R0001	HANDLAUF KURZ	

CODE **05523, 05524, 05525**

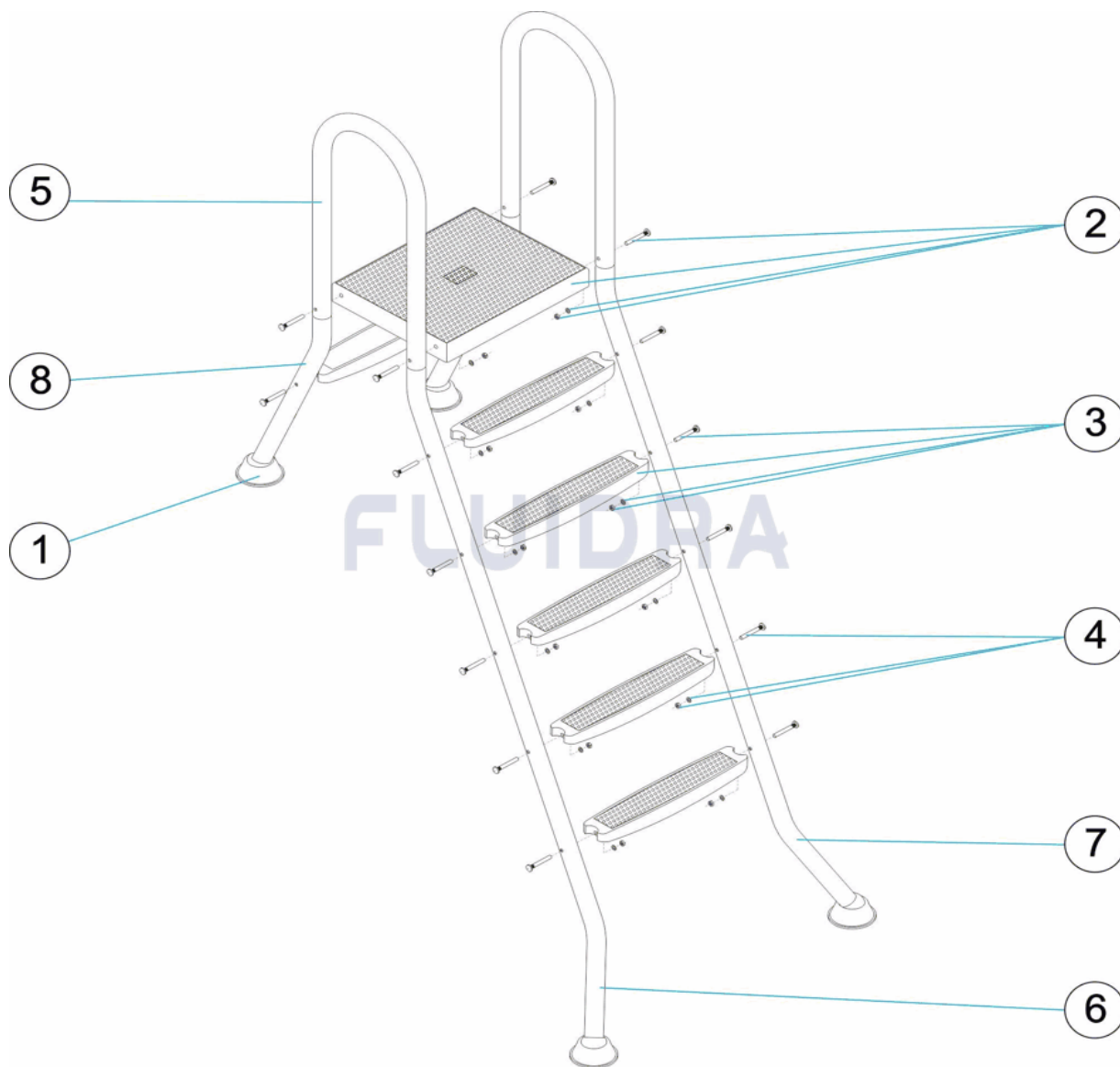
BESCHREIBUNG: **TREPPE BECKEN HALBHOCH**

HINWEISE

POS	CODE	HINWEISE
6	* 00025R0002	FÜR: 05523
6	* 00026R0002	FÜR: 05524
6	* 00027R0002	FÜR: 05525
7	* 00025R0003	FÜR: 05523
7	* 00026R0003	FÜR: 05524
7	* 00027R0003	FÜR: 05525

CODIGO **05523, 05524, 05525**

DESCRIÇÃO: **ESCADA PISCINA SEMI-ELEVADA**



PORTUGUES

POS	CODIGO	DESCRIÇÃO	JANTIDADE	POS	CODIGO	DESCRIÇÃO	JANTIDADE
1	4401010501	BATENTE ARTICULADA		6	* 00026R0002	CORRIMÃO DIREITO 4 DEGRAUS	
2	4401011403	DEGRAU PLÁSTICO		6	* 00027R0002	CORRIMÃO DIREITO 5 DEGRAUS	
3	4401010026	DEGRAU PLÁSTICO 500 INCLINADO A4		7	* 00025R0003	CORRIMÃO ESQUERDO 3 DEGRAUS	
4	4401010111	PARAFUSOS DEGRAU 316		7	* 00026R0003	CORRIMÃO ESQUERDO 4 DEGRAUS	
5	00025R0001	PONTE UNIÃO		7	* 00027R0003	CORRIMÃO ESQUERDO 5 DEGRAUS	
6	* 00025R0002	CORRIMÃO DIREITO 3 DEGRAUS		8	00028R0001	CORRIMÃO CURTO	

CODIGO **05523, 05524, 05525**

DESCRIÇÃO: ESCADA PISCINA SEMI-ELEVADA

OBSERVACÕES

POS	CODIGO	OBSERVACÕES
6	* 00025R0002	PARA: 05523
6	* 00026R0002	PARA: 05524
6	* 00027R0002	PARA: 05525
7	* 00025R0003	PARA: 05523
7	* 00026R0003	PARA: 05524
7	* 00027R0003	PARA: 05525