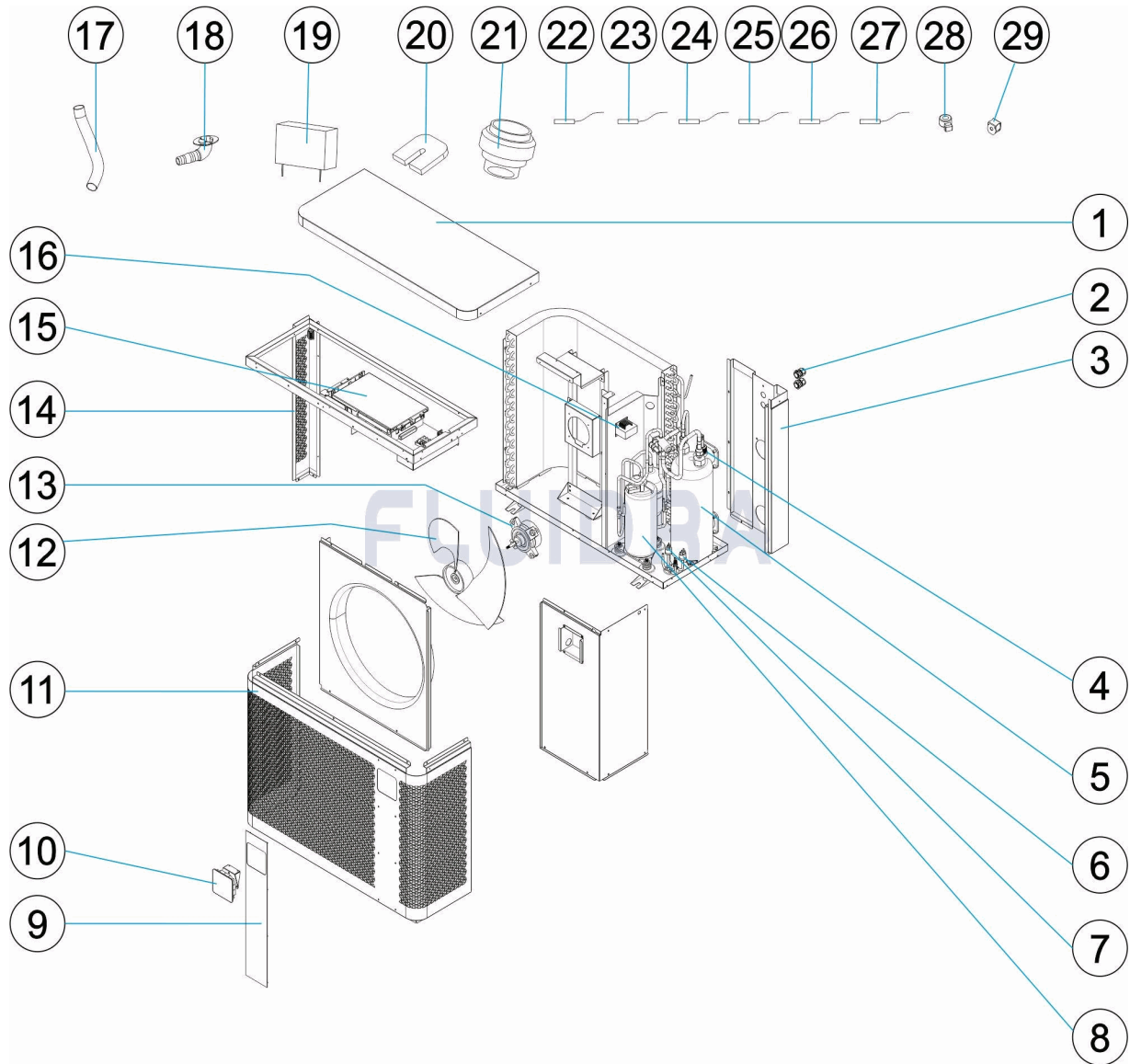


CODIGO **WH000552, WH000553, WH000554, WH000555**

 DESCRIPCION: **BOMBA DE CALOR Z250**

ESPAÑOL

POS	CODIGO	DESCRIPCION	CANTIDAD	POS	CODIGO	DESCRIPCION	CANTIDAD
1	* 75336R0201	TAPA SUPERIOR		8	* 75338R0009	COMPRESOR	
1	* 75338R0201	TAPA SUPERIOR		8	* 75339R0009	COMPRESOR	
2	75311R0002	PRENSAESTOPAS		9	75336R0238	PANEL DE DECORACIÓN	
3	* 75336R0204	PANEL TRASERO		10	75336R0211	CONTROLADOR	
3	* 75338R0204	PANEL TRASERO		11	* 75336R0213	PANEL FRONTAL	
3	* 75339R0204	PANEL TRASERO		11	* 75339R0213	PANEL FRONTAL	
4	75336R0005	FLUJOSTATO		12	75311R0014	ASPAS VENTILADOR	
5	* 75311R0006	INTERCAMBIADOR DE TITANIO		13	75336R0015	MOTOR VENTILADOR	
5	* 75312R0006	INTERCAMBIADOR DE TITANIO		14	75336R0217	PILAR	
5	* 75313R0006	INTERCAMBIADOR DE TITANIO		15	* 75336R0021A	PLACA BASE PCB	
5	* 75339R0006	INTERCAMBIADOR DE TITANIO		15	* 75339R0021B	PLACA BASE PCB	
6	75336R0008	DETECTOR DE PRESIÓN ALTA		15	* 75338R0021	PLACA BASE PCB	
7	75336R0007	DETECTOR DE PRESIÓN BAJA		15	* 75339R0021A	PLACA BASE PCB	

* NOTA OBSERVACIONES

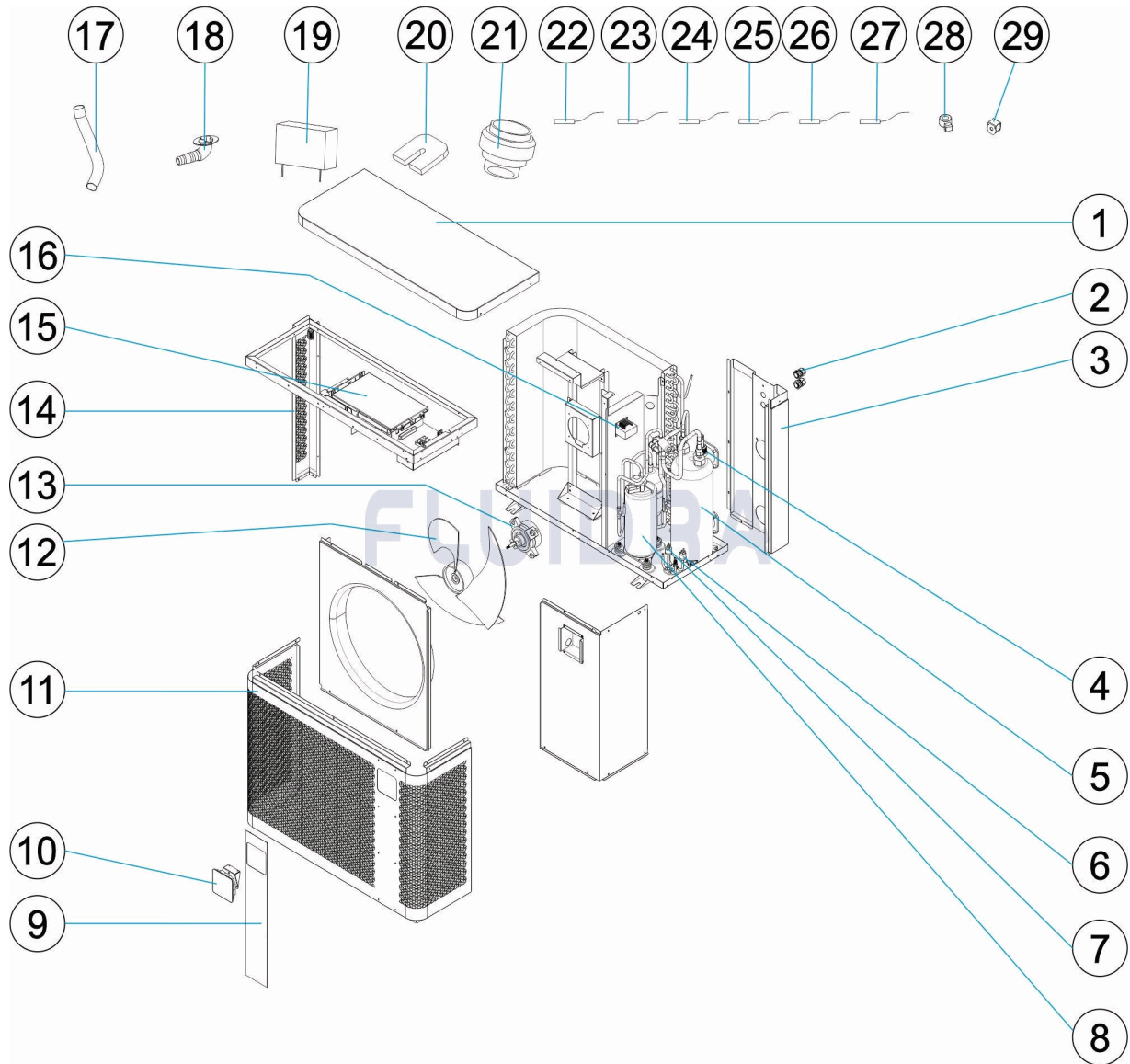
CODIGO **WH000552, WH000553, WH000554, WH000555**DESCRIPCION: **BOMBA DE CALOR Z250**

8	* 75336R0009	COMPRESOR	16	* 75339R0016	REACTOR
8	* 75337R0009	COMPRESOR	17	75311R0033	MANGUERA DE DRENAJE
18	75311R0034	BOQUILLA DE AGUA	24	75336R0029	SENSOR TEMPERATURA AMBIENTE
19	* 75313R0036	CUBIERTA DE INVIERNO	25	75336R0028	SENSOR TEMPERATURA ENTRADA AGUA
19	* 75311R0036	CUBIERTA DE INVIERNO	26	75336R0026	SENSOR TEMPERATURA SORTIDA AIGUA
20	75311R0035	PIES ANTIVIBRATORIOS	27	75336R0037	SENSOR TEMPERATURA SUCCIÓN GAS
21	75311R0032	KIT DE CONEXIÓN AGUA	28	75336R0025	BOBINA EEV
22	75336R0031	SENSOR TEMPERATURA DESCARGA GAS	29	75336R0023	BOBINA VALVULA DE 4 VIAS
23	75336R0030	SENSOR TEMPERATURA EVAPORADOR			

CODIGO **WH000552, WH000553, WH000554, WH000555**DESCRIPCION: **BOMBA DE CALOR Z250****OBSERVACIONES**

POS	CODIGO	OBSERVACIONES
1	* 75336R0201	PARA: WH000552, WH000553, WH000554
1	* 75338R0201	PARA: WH000555
3	* 75336R0204	PARA: WH000552, WH000553
3	* 75338R0204	PARA: WH000554
3	* 75339R0204	PARA: WH000555
5	* 75311R0006	PARA: WH000552
5	* 75312R0006	PARA: WH000553
5	* 75313R0006	PARA: WH000554
5	* 75339R0006	PARA: WH000555
8	* 75336R0009	PARA: WH000552
8	* 75337R0009	PARA: WH000553
8	* 75338R0009	PARA: WH000554
8	* 75339R0009	PARA: WH000555
11	* 75336R0213	PARA: WH000552, WH000553, WH000554
11	* 75339R0213	PARA: WH000555
15	* 75336R0021A	PARA: WH000552
15	* 75339R0021B	PARA: WH000553
15	* 75338R0021	PARA: WH000554
15	* 75339R0021A	PARA: WH000555
16	* 75339R0016	PARA: WH000555
19	* 75313R0036	PARA: WH000555
19	* 75311R0036	PARA: WH000552, WH000553, WH000554

CODE **WH000552, WH000553, WH000554, WH000555**

 DESCRIPTION: **POMPE À CHALEUR Z250**

FRANCAIS

POS	CODE	DESCRIPTION	QUANTITE	POS	CODE	DESCRIPTION	QUANTITE
1	* 75336R0201	COUVERCLE SUPÉRIEUR		8	* 75338R0009	COMPRESSEUR	
1	* 75338R0201	COUVERCLE SUPÉRIEUR		8	* 75339R0009	COMPRESSEUR	
2	75311R0002	PRESSE-ÉTOUPES		9	75336R0238	PANNEAU DE DÉCORATION	
3	* 75336R0204	PANNEAU ARRIÈRE		10	75336R0211	CONTRÔLEUR	
3	* 75338R0204	PANNEAU ARRIÈRE		11	* 75336R0213	PANNEAU AVANT	
3	* 75339R0204	PANNEAU ARRIÈRE		11	* 75339R0213	PANNEAU AVANT	
4	75336R0005	CONTROLEUR DE DEBIT		12	75311R0014	PALES VENTILATEUR	
5	* 75311R0006	ÉCHANGEUR EN TITANE		13	75336R0015	MOTEUR VENTILATEUR	
5	* 75312R0006	ÉCHANGEUR EN TITANE		14	75336R0217	PILIER	
5	* 75313R0006	ÉCHANGEUR EN TITANE		15	* 75336R0021A	PLAQUE BASE PCB	
5	* 75339R0006	ÉCHANGEUR EN TITANE		15	* 75339R0021B	PLAQUE BASE PCB	
6	75336R0008	DÉTECTEUR HAUTE PRESSION		15	* 75338R0021	PLAQUE BASE PCB	
7	75336R0007	DÉTECTEUR BASSE PRESSION		15	* 75339R0021A	PLAQUE BASE PCB	

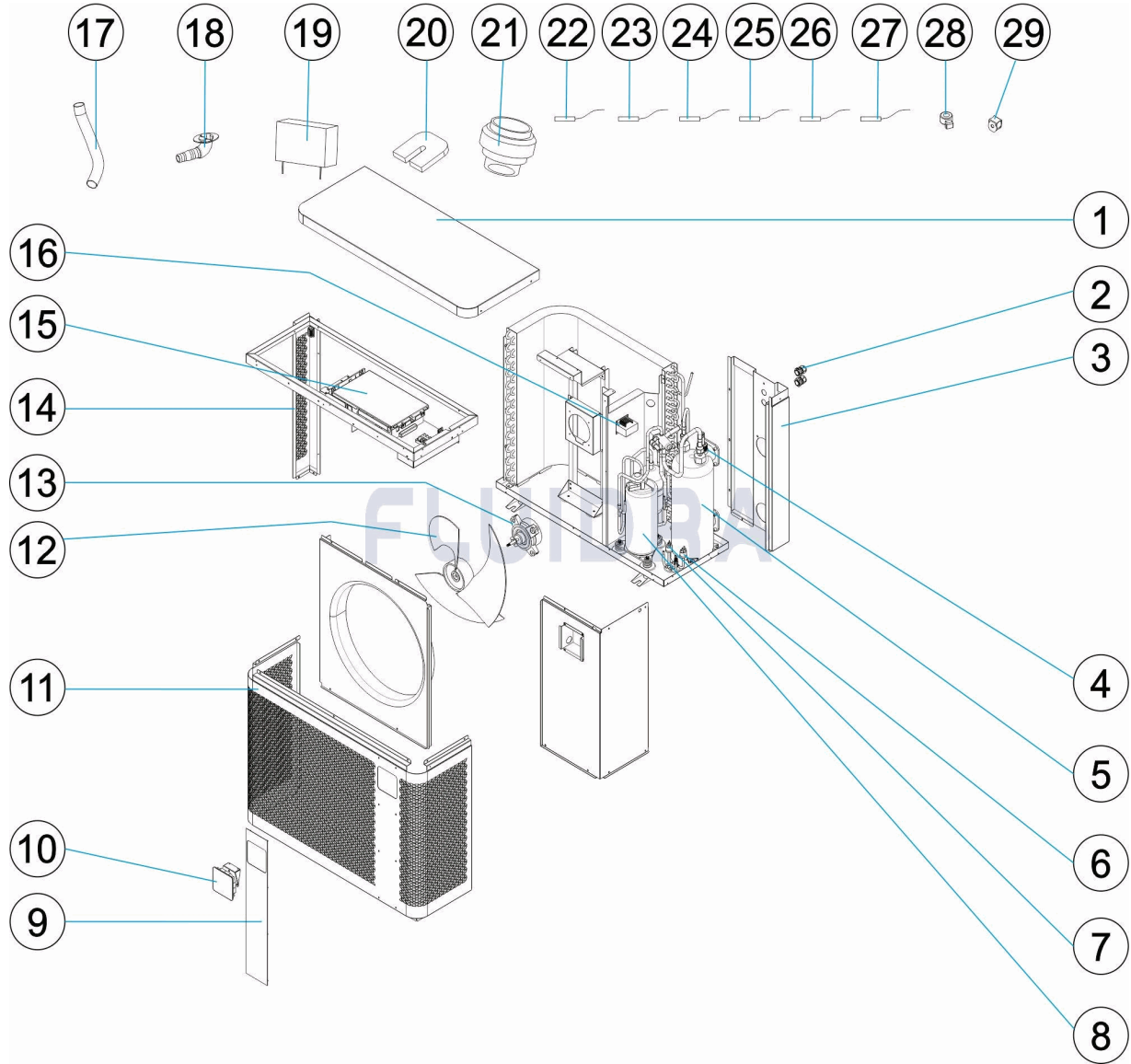
CODE **WH000552, WH000553, WH000554, WH000555**DESCRIPTION: **POMPE À CHALEUR Z250**

8	* 75336R0009	COMPRESSEUR	16	* 75339R0016	RÉACTEUR
8	* 75337R0009	COMPRESSEUR	17	75311R0033	TUYAU DE DRAINAGE
18	75311R0034	BUSE D'EAU	24	75336R0029	CAPTEUR TEMPÉRATURE AMBIANT
19	* 75313R0036	COUVERTURE D'HIVERNAGE	25	75336R0028	CAPTEUR TEMPÉRATURE ARRIVÉE D'EAU
19	* 75311R0036	COUVERTURE D'HIVERNAGE	26	75336R0026	CAPTEUR TEMPÉRATURE EAU SORTIE
20	75311R0035	PIEDS ANTI-VIBRATION	27	75336R0037	CAPTEUR TEMPÉRATURE ASPIRATION GA
21	75311R0032	ENSEMBLES CONNEXION D'EAU	28	75336R0025	BOBINE EEV
22	75336R0031	CAPTEUR TEMPÉRATURE DÉCHARGE GA	29	75336R0023	BOBINE VANNE 4 VOIES
23	75336R0030	CAPTEUR TEMPÉRATURE ÉVAPORATEUR			

CODE **WH000552, WH000553, WH000554, WH000555**DESCRIPTION: **POMPE À CHALEUR Z250****OBSERVATIONS**

POS	CODE	OBSERVATIONS
1	* 75336R0201	POUR: WH000552, WH000553, WH000554
1	* 75338R0201	POUR: WH000555
3	* 75336R0204	POUR: WH000552, WH000553
3	* 75338R0204	POUR: WH000554
3	* 75339R0204	POUR: WH000555
5	* 75311R0006	POUR: WH000552
5	* 75312R0006	POUR: WH000553
5	* 75313R0006	POUR: WH000554
5	* 75339R0006	POUR: WH000555
8	* 75336R0009	POUR: WH000552
8	* 75337R0009	POUR: WH000553
8	* 75338R0009	POUR: WH000554
8	* 75339R0009	POUR: WH000555
11	* 75336R0213	POUR: WH000552, WH000553, WH000554
11	* 75339R0213	POUR: WH000555
15	* 75336R0021A	POUR: WH000552
15	* 75339R0021B	POUR: WH000553
15	* 75338R0021	POUR: WH000554
15	* 75339R0021A	POUR: WH000555
16	* 75339R0016	POUR: WH000555
19	* 75313R0036	POUR: WH000555
19	* 75311R0036	POUR: WH000552, WH000553, WH000554

CODE **WH000552, WH000553, WH000554, WH000555**

 DESCRIPTION: **HEAT PUMP Z250**

ENGLISH

POS	CODE	DESCRIPTION	QUANTITY	POS	CODE	DESCRIPTION	QUANTITY
1	* 75336R0201	TOP COVER		8	* 75338R0009	COMPRESSORE	
1	* 75338R0201	TOP COVER		8	* 75339R0009	COMPRESSORE	
2	75311R0002	CABLE GLANDS		9	75336R0238	DECORATION PANEL	
3	* 75336R0204	BACK PANEL		10	75336R0211	CONTROLLER	
3	* 75338R0204	BACK PANEL		11	* 75336R0213	FRONT PANEL	
3	* 75339R0204	BACK PANEL		11	* 75339R0213	FRONT PANEL	
4	75336R0005	WATER FLOW SWITCH		12	75311R0014	FAN BLADE	
5	* 75311R0006	TITANIUM HEAT EXCHANGER		13	75336R0015	FAN MOTOR	
5	* 75312R0006	TITANIUM HEAT EXCHANGER		14	75336R0217	PILLAR	
5	* 75313R0006	TITANIUM HEAT EXCHANGER		15	* 75336R0021A	PC BOARD	
5	* 75339R0006	TITANIUM HEAT EXCHANGER		15	* 75339R0021B	PC BOARD	
6	75336R0008	HIGH PRESSURE SWITCH		15	* 75338R0021	PC BOARD	
7	75336R0007	LOW PRESSURE SWITCH		15	* 75339R0021A	PC BOARD	

* SEE OBSERVATIONS SHEET

CODE **WH000552, WH000553, WH000554, WH000555**

DESCRIPTION: **HEAT PUMP Z250**

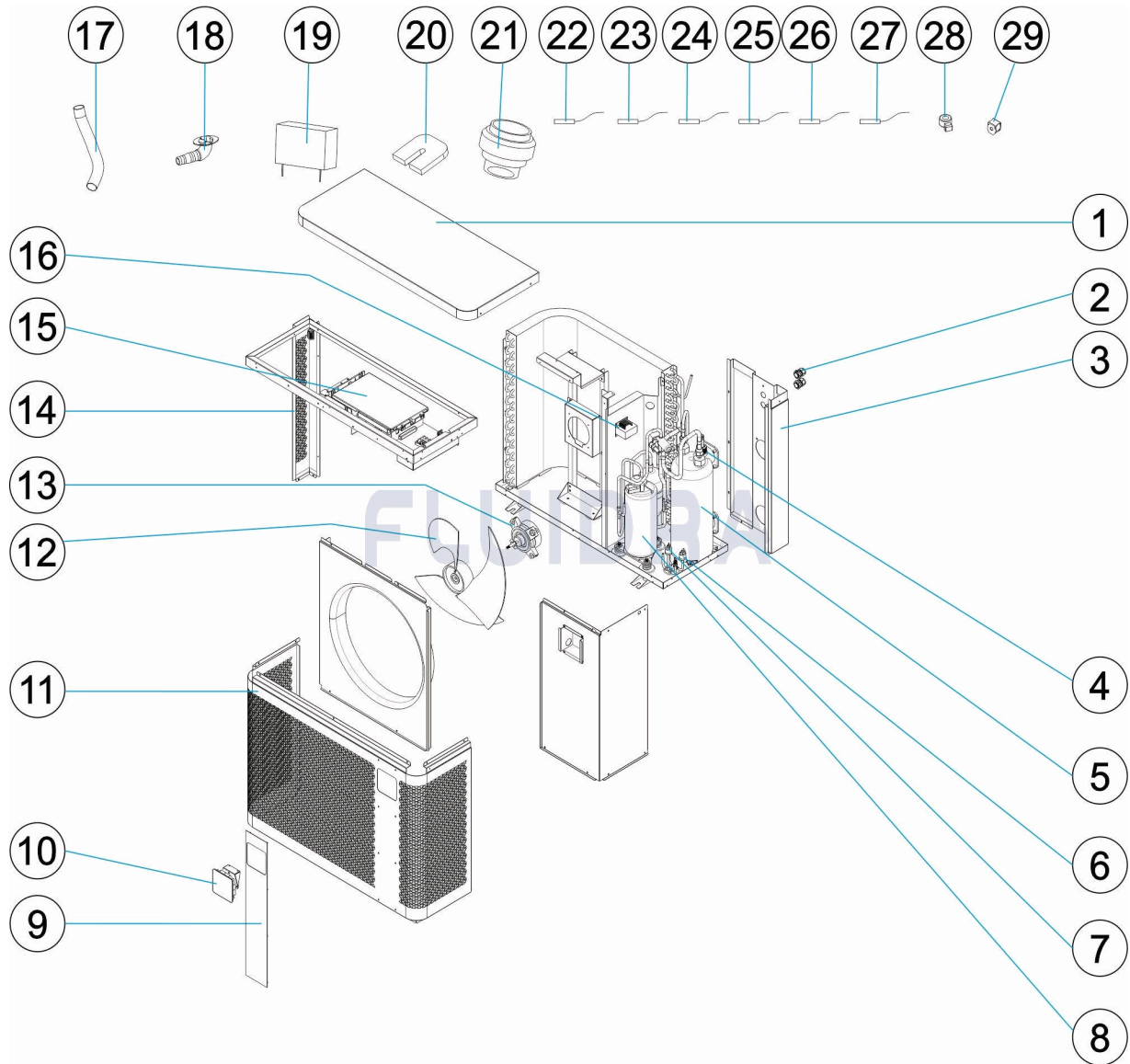
8	* 75336R0009	COMPRESSORE	16	* 75339R0016	REACTOR
8	* 75337R0009	COMPRESSORE	17	75311R0033	DRAIN HOSE
18	75311R0034	WATER NOZZLE	24	75336R0029	AMBIENT TEMPERATURE SENSOR
19	* 75313R0036	WINTER COVER	25	75336R0028	WATER INLET TEMPERATURE SENSOR
19	* 75311R0036	WINTER COVER	26	75336R0026	WATER OUTLET TEMPERATURE SENSOR
20	75311R0035	ANTI-VIBRATION FEET	27	75336R0037	GAS SUCTION TEMPERATURE SENSOR
21	75311R0032	WATER CONNECTION SETS	28	75336R0025	EEV COIL
22	75336R0031	GAS DISCHARGE TEMPERATURE SENSO	29	75336R0023	4-WAY VALVE COIL
23	75336R0030	WATER INLET TEMPERATURE EVAPORATC			

CODE **WH000552, WH000553, WH000554, WH000555**DESCRIPTION: **HEAT PUMP Z250**

OBSERVATIONS

POS	CODE	OBSERVATIONS
1	* 75336R0201	FOR: WH000552, WH000553, WH000554
1	* 75338R0201	FOR: WH000555
3	* 75336R0204	FOR: WH000552, WH000553
3	* 75338R0204	FOR: WH000554
3	* 75339R0204	FOR: WH000555
5	* 75311R0006	FOR: WH000552
5	* 75312R0006	FOR: WH000553
5	* 75313R0006	FOR: WH000554
5	* 75339R0006	FOR: WH000555
8	* 75336R0009	FOR: WH000552
8	* 75337R0009	FOR: WH000553
8	* 75338R0009	FOR: WH000554
8	* 75339R0009	FOR: WH000555
11	* 75336R0213	FOR: WH000552, WH000553, WH000554
11	* 75339R0213	FOR: WH000555
15	* 75336R0021A	FOR: WH000552
15	* 75339R0021B	FOR: WH000553
15	* 75338R0021	FOR: WH000554
15	* 75339R0021A	FOR: WH000555
16	* 75339R0016	FOR: WH000555
19	* 75313R0036	FOR: WH000555
19	* 75311R0036	FOR: WH000552, WH000553, WH000554

CODICE **WH000552, WH000553, WH000554, WH000555**

 DESCRIZIONE: **POMPA DI CALORE Z250**

ITALIANO

POS	CODICE	DESCRIZIONE	QUANTITA'	POS	CODICE	DESCRIZIONE	QUANTITA'
1	* 75336R0201	COPERCHIO SUPERIORE		8	* 75338R0009	COMPRESSORE	
1	* 75338R0201	COPERCHIO SUPERIORE		8	* 75339R0009	COMPRESSORE	
2	75311R0002	PRESSACAVI		9	75336R0238	PANNELLO DI DECORAZIONE	
3	* 75336R0204	PANNELLO INDIETRO		10	75336R0211	CONTROLLATORE	
3	* 75338R0204	PANNELLO INDIETRO		11	* 75336R0213	PANNELLO FRONTALE	
3	* 75339R0204	PANNELLO INDIETRO		11	* 75339R0213	PANNELLO FRONTALE	
4	75336R0005	FLUSSOSTATO		12	75311R0014	PALE VENTILATORE	
5	* 75311R0006	INTERCAMBIATORE IN TITANIO		13	75336R0015	MOTORE VENTOLA	
5	* 75312R0006	INTERCAMBIATORE IN TITANIO		14	75336R0217	PILASTRO	
5	* 75313R0006	INTERCAMBIATORE IN TITANIO		15	* 75336R0021A	SCHEDA BASE PCB	
5	* 75339R0006	INTERCAMBIATORE IN TITANIO		15	* 75339R0021B	SCHEDA BASE PCB	
6	75336R0008	RILEVATORE DI ALTA PRESSIONE		15	* 75338R0021	SCHEDA BASE PCB	
7	75336R0007	RIVELATORE BASSO PRESSIONE		15	* 75339R0021A	SCHEDA BASE PCB	

*** SI FACCI RIFERIMENTO AL FOGLIO DELLE OSSERVAZIONI**

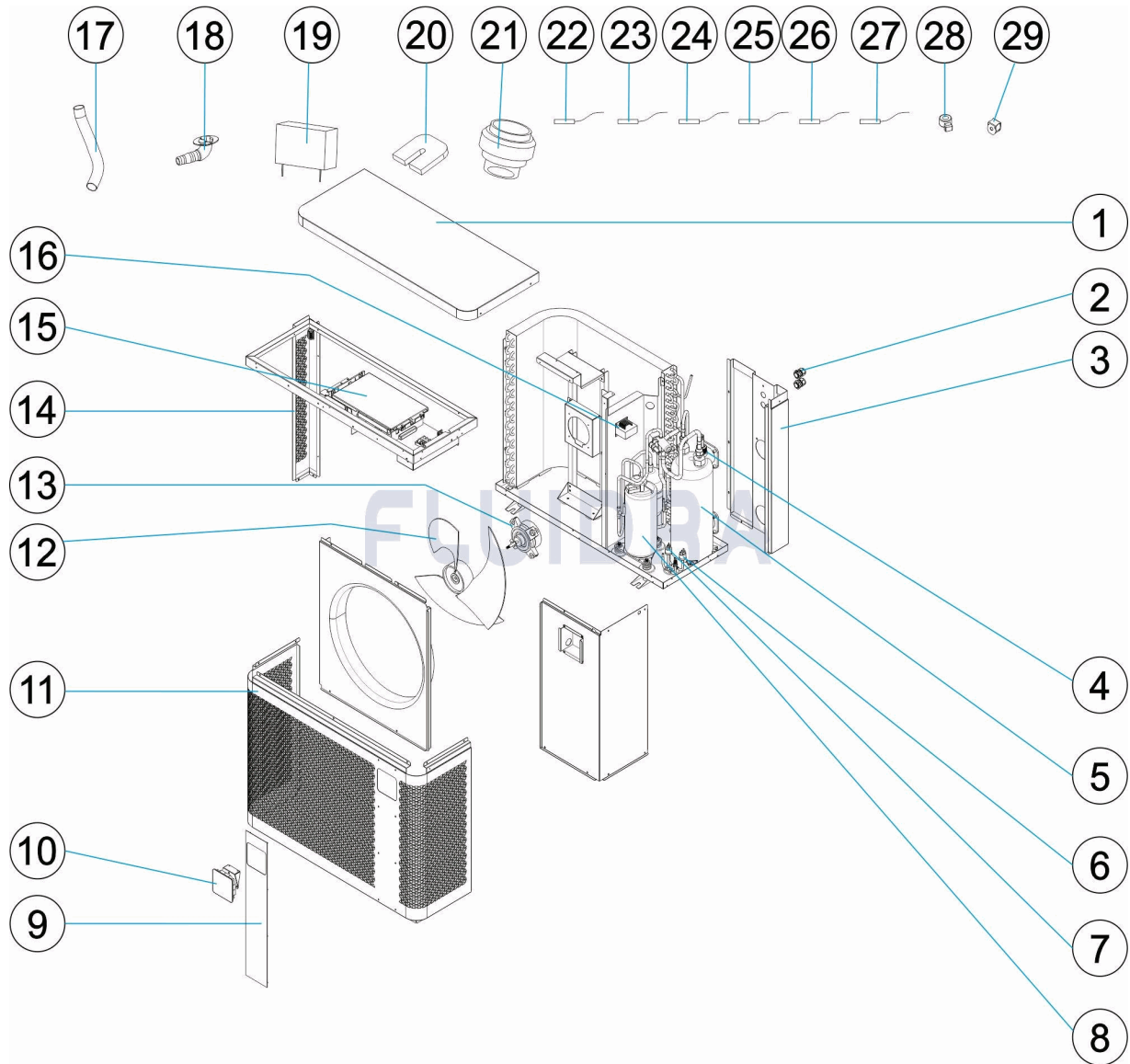
CODICE **WH000552, WH000553, WH000554, WH000555**DESCRIZIONE: **POMPA DI CALORE Z250**

8	* 75336R0009	COMPRESSORE	16	* 75339R0016	REATTORE
8	* 75337R0009	COMPRESSORE	17	75311R0033	TUBO DI SCARICO
18	75311R0034	UGELLO DELL'ACQUA	24	75336R0029	SENSORE TEMPERATURA AMBIENTE
19	* 75313R0036	COPERTA DI INVERNO	25	75336R0028	SENSORE TEMPERATURA INGRESSO ACQ
19	* 75311R0036	COPERTA DI INVERNO	26	75336R0026	SENSORE TEMPERATURA USCITA ACQUA
20	75311R0035	PIEDINI ANTIVIBRAZIONE	27	75336R0037	SENSORE TEMPERATURA ASPIRAZIONE G
21	75311R0032	SET CONNESSIONE DELL'ACQUA	28	75336R0025	BOBINA EEV
22	75336R0031	SENSORE TEMPERATURA SCARICO GAS	29	75336R0023	BOBINA VALVOLA A 4 VIE
23	75336R0030	SENSORE TEMPERATURA EVAPORATORE			

CODICE **WH000552, WH000553, WH000554, WH000555**DESCRIZIONE: **POMPA DI CALORE Z250****OSSERVAZIONI**

POS	CODICE	OSSERVAZIONI
1	* 75336R0201	PER: WH000552, WH000553, WH000554
1	* 75338R0201	PER: WH000555
3	* 75336R0204	PER: WH000552, WH000553
3	* 75338R0204	PER: WH000554
3	* 75339R0204	PER: WH000555
5	* 75311R0006	PER: WH000552
5	* 75312R0006	PER: WH000553
5	* 75313R0006	PER: WH000554
5	* 75339R0006	PER: WH000555
8	* 75336R0009	PER: WH000552
8	* 75337R0009	PER: WH000553
8	* 75338R0009	PER: WH000554
8	* 75339R0009	PER: WH000555
11	* 75336R0213	PER: WH000552, WH000553, WH000554
11	* 75339R0213	PER: WH000555
15	* 75336R0021A	PER: WH000552
15	* 75339R0021B	PER: WH000553
15	* 75338R0021	PER: WH000554
15	* 75339R0021A	PER: WH000555
16	* 75339R0016	PER: WH000555
19	* 75313R0036	PER: WH000555
19	* 75311R0036	PER: WH000552, WH000553, WH000554

CODE **WH000552, WH000553, WH000554, WH000555**

 BESCHREIBUNG: **WÄRMEPUMPE Z250**

DEUTSCH

POS	CODE	BESCHREIBUNG	MENGE	POS	CODE	BESCHREIBUNG	MENGE
1	* 75336R0201	ABDECKUNG OBEN		8	* 75338R0009	KOMPRESSOR	
1	* 75338R0201	ABDECKUNG OBEN		8	* 75339R0009	KOMPRESSOR	
2	75311R0002	KABELVERSCHRAUBUNGEN		9	75336R0238	DEKORATIONSPLATTE	
3	* 75336R0204	FÜHRERHAUSRÜCKWAND		10	75336R0211	STEUERUNG	
3	* 75338R0204	FÜHRERHAUSRÜCKWAND		11	* 75336R0213	FRONTPLATTE	
3	* 75339R0204	FÜHRERHAUSRÜCKWAND		11	* 75339R0213	FRONTPLATTE	
4	75336R0005	DURCHFLUSSMESSER		12	75311R0014	ROTORBLÄTTER VENTILATOR	
5	* 75311R0006	WÄRMEÜBERTRAGER TITANIUM		13	75336R0015	LÜFTERMOTOR	
5	* 75312R0006	WÄRMEÜBERTRAGER TITANIUM		14	75336R0217	SÄULE	
5	* 75313R0006	WÄRMEÜBERTRAGER TITANIUM		15	* 75336R0021A	BASISPLATTE PCB	
5	* 75339R0006	WÄRMEÜBERTRAGER TITANIUM		15	* 75339R0021B	BASISPLATTE PCB	
6	75336R0008	DETEKTOR HOCHDRUCK		15	* 75338R0021	BASISPLATTE PCB	
7	75336R0007	DETEKTOR NIEDERDRUCK		15	* 75339R0021A	BASISPLATTE PCB	

* SIEHE ANMERKUNGSBLATT

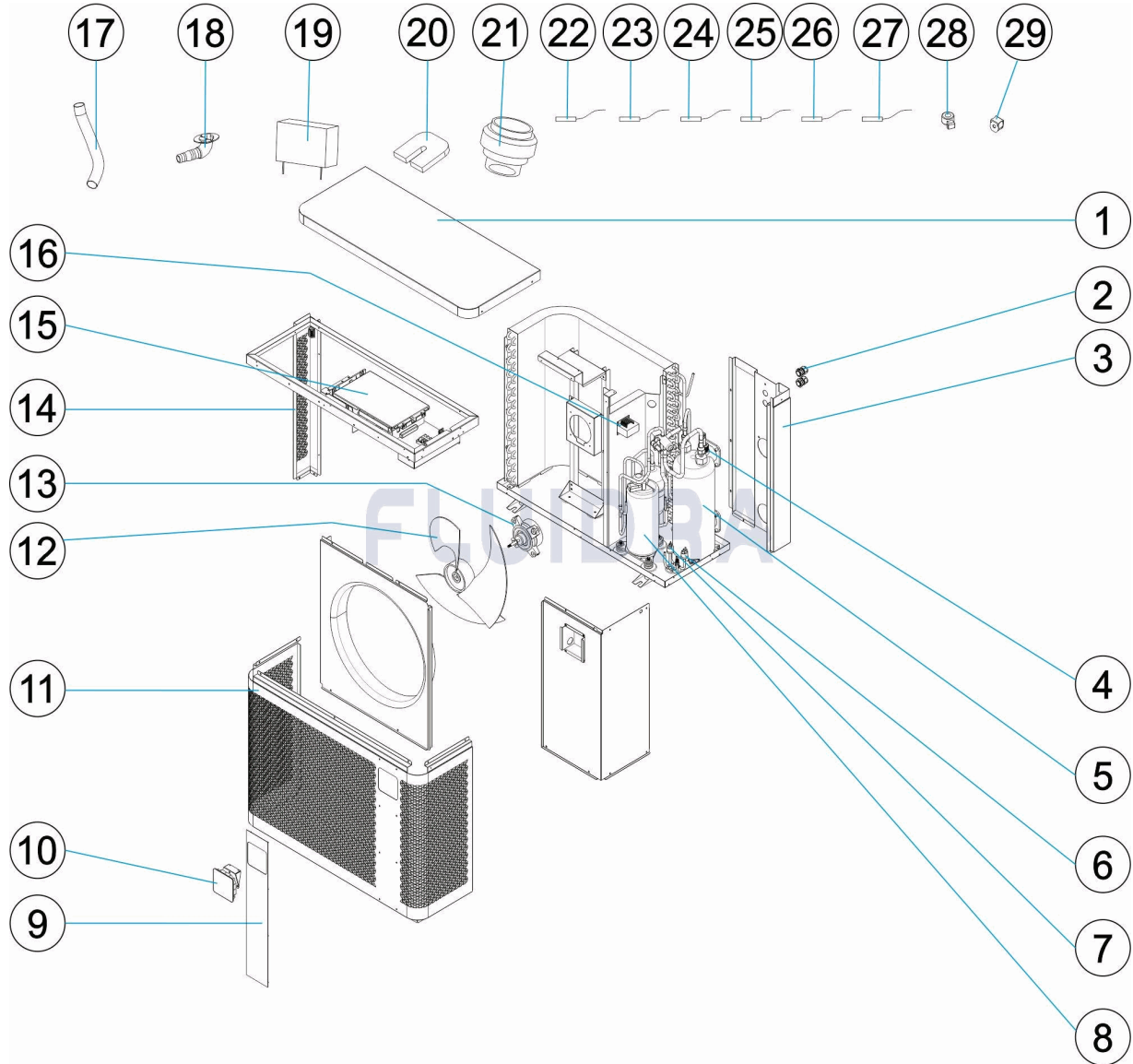
CODE **WH000552, WH000553, WH000554, WH000555**BESCHREIBUNG: **WÄRMEPUMPE Z250**

8	* 75336R0009	KOMPRESSOR	16	* 75339R0016	REAKTOR
8	* 75337R0009	KOMPRESSOR	17	75311R0033	ABFLUSSSCHLAUCH
18	75311R0034	WASSERDÜSE	24	75336R0029	UMGEBUNGS TEMPERATURFÜHLER
19	* 75313R0036	WINTERDECKEL	25	75336R0028	WASSERZUFLUSS TEMPERATURFÜHLER
19	* 75311R0036	WINTERDECKEL	26	75336R0026	WASSERABFLUSS TEMPERATURFÜHLER
20	75311R0035	ANTI-VIBRATIONSFÜSSE	27	75336R0037	GASANSAUG TEMPERATURFÜHLER
21	75311R0032	WASSERANSCHLUSS SET	28	75336R0025	SPULE EEV
22	75336R0031	GASDAUER TEMPERATURFÜHLER	29	75336R0023	SPULE 4-WEGE-VENTIL
23	75336R0030	VERDAMPFER TEMPERATURFÜHLER			

CODE **WH000552, WH000553, WH000554, WH000555**BESCHREIBUNG: **WÄRMEPUMPE Z250****HINWEISE**

POS	CODE	HINWEISE
1	* 75336R0201	FÜR: WH000552, WH000553, WH000554
1	* 75338R0201	FÜR: WH000555
3	* 75336R0204	FÜR: WH000552, WH000553
3	* 75338R0204	FÜR: WH000554
3	* 75339R0204	FÜR: WH000555
5	* 75311R0006	FÜR: WH000552
5	* 75312R0006	FÜR: WH000553
5	* 75313R0006	FÜR: WH000554
5	* 75339R0006	FÜR: WH000555
8	* 75336R0009	FÜR: WH000552
8	* 75337R0009	FÜR: WH000553
8	* 75338R0009	FÜR: WH000554
8	* 75339R0009	FÜR: WH000555
11	* 75336R0213	FÜR: WH000552, WH000553, WH000554
11	* 75339R0213	FÜR: WH000555
15	* 75336R0021A	FÜR: WH000552
15	* 75339R0021B	FÜR: WH000553
15	* 75338R0021	FÜR: WH000554
15	* 75339R0021A	FÜR: WH000555
16	* 75339R0016	FÜR: WH000555
19	* 75313R0036	FÜR: WH000555
19	* 75311R0036	FÜR: WH000552, WH000553, WH000554

CODIGO **WH000552, WH000553, WH000554, WH000555**

 DESCRIÇÃO: **BOMBA DE CALOR Z250**

PORTUGUES

POS	CODIGO	DESCRIÇÃO	JANTIDADE	POS	CODIGO	DESCRIÇÃO	JANTIDADE
1	* 75336R0201	TAMPA SUPERIOR		8	* 75338R0009	COMPRESSOR	
1	* 75338R0201	TAMPA SUPERIOR		8	* 75339R0009	COMPRESSOR	
2	75311R0002	PRENSA-CABOS		9	75336R0238	PAINEL DE DECORAÇÃO	
3	* 75336R0204	PAINEL TRASEIRO		10	75336R0211	CONTROLADOR	
3	* 75338R0204	PAINEL TRASEIRO		11	* 75336R0213	PAINEL FRONTAL	
3	* 75339R0204	PAINEL TRASEIRO		11	* 75339R0213	PAINEL FRONTAL	
4	75336R0005	FLUXO-ESTATO		12	75311R0014	PÁS VENTILADOR	
5	* 75311R0006	PERMUTADOR DE TITÂNIO		13	75336R0015	MOTOR VENTILADOR	
5	* 75312R0006	PERMUTADOR DE TITÂNIO		14	75336R0217	PILAR	
5	* 75313R0006	PERMUTADOR DE TITÂNIO		15	* 75336R0021A	PLACA BASE PCB	
5	* 75339R0006	PERMUTADOR DE TITÂNIO		15	* 75339R0021B	PLACA BASE PCB	
6	75336R0008	DETECTOR DE ALTA PRESSÃO		15	* 75338R0021	PLACA BASE PCB	
7	75336R0007	DETECTOR DE BAIXA PRESSÃO		15	* 75339R0021A	PLACA BASE PCB	

* VEJA A FICHA DE OBSERVAÇÕES

CODIGO **WH000552, WH000553, WH000554, WH000555**DESCRICAÇÃO: **BOMBA DE CALOR Z250**

8	* 75336R0009	COMPRESSOR	16	* 75339R0016	REACTOR
8	* 75337R0009	COMPRESSOR	17	75311R0033	MANGUEIRA DE DRENAGEM
18	75311R0034	BOCAL DE ÁGUA	24	75336R0029	SENSOR TEMPERATURA AMBIENTE
19	* 75313R0036	COBERTURA DE INVERNO	25	75336R0028	SENSOR TEMPERATURA ENTRADA ÁGUA
19	* 75311R0036	COBERTURA DE INVERNO	26	75336R0026	SENSOR TEMPERATURA SAÍDA ÁGUA
20	75311R0035	PÉS ANTIVIBRAÇÃO	27	75336R0037	SENSOR TEMPERATURA SUÇÃO GÁS
21	75311R0032	CONJECTIVOS CONEXÃO DE ÁGUA	28	75336R0025	BOBINA EEV
22	75336R0031	SENSOR TEMPERATURA DESCARGA GÁS	29	75336R0023	BOBINA VÁLVULA DE 4 VIAS
23	75336R0030	SENSOR TEMPERATURA EVAPORADOR			

CODIGO **WH000552, WH000553, WH000554, WH000555**DESCRIÇÃO: **BOMBA DE CALOR Z250****OBSERVAÇÕES**

POS	CODIGO	OBSERVAÇÕES
1	* 75336R0201	PARA: WH000552, WH000553, WH000554
1	* 75338R0201	PARA: WH000555
3	* 75336R0204	PARA: WH000552, WH000553
3	* 75338R0204	PARA: WH000554
3	* 75339R0204	PARA: WH000555
5	* 75311R0006	PARA: WH000552
5	* 75312R0006	PARA: WH000553
5	* 75313R0006	PARA: WH000554
5	* 75339R0006	PARA: WH000555
8	* 75336R0009	PARA: WH000552
8	* 75337R0009	PARA: WH000553
8	* 75338R0009	PARA: WH000554
8	* 75339R0009	PARA: WH000555
11	* 75336R0213	PARA: WH000552, WH000553, WH000554
11	* 75339R0213	PARA: WH000555
15	* 75336R0021A	PARA: WH000552
15	* 75339R0021B	PARA: WH000553
15	* 75338R0021	PARA: WH000554
15	* 75339R0021A	PARA: WH000555
16	* 75339R0016	PARA: WH000555
19	* 75313R0036	PARA: WH000555
19	* 75311R0036	PARA: WH000552, WH000553, WH000554