

DESPIECE

REV: 0

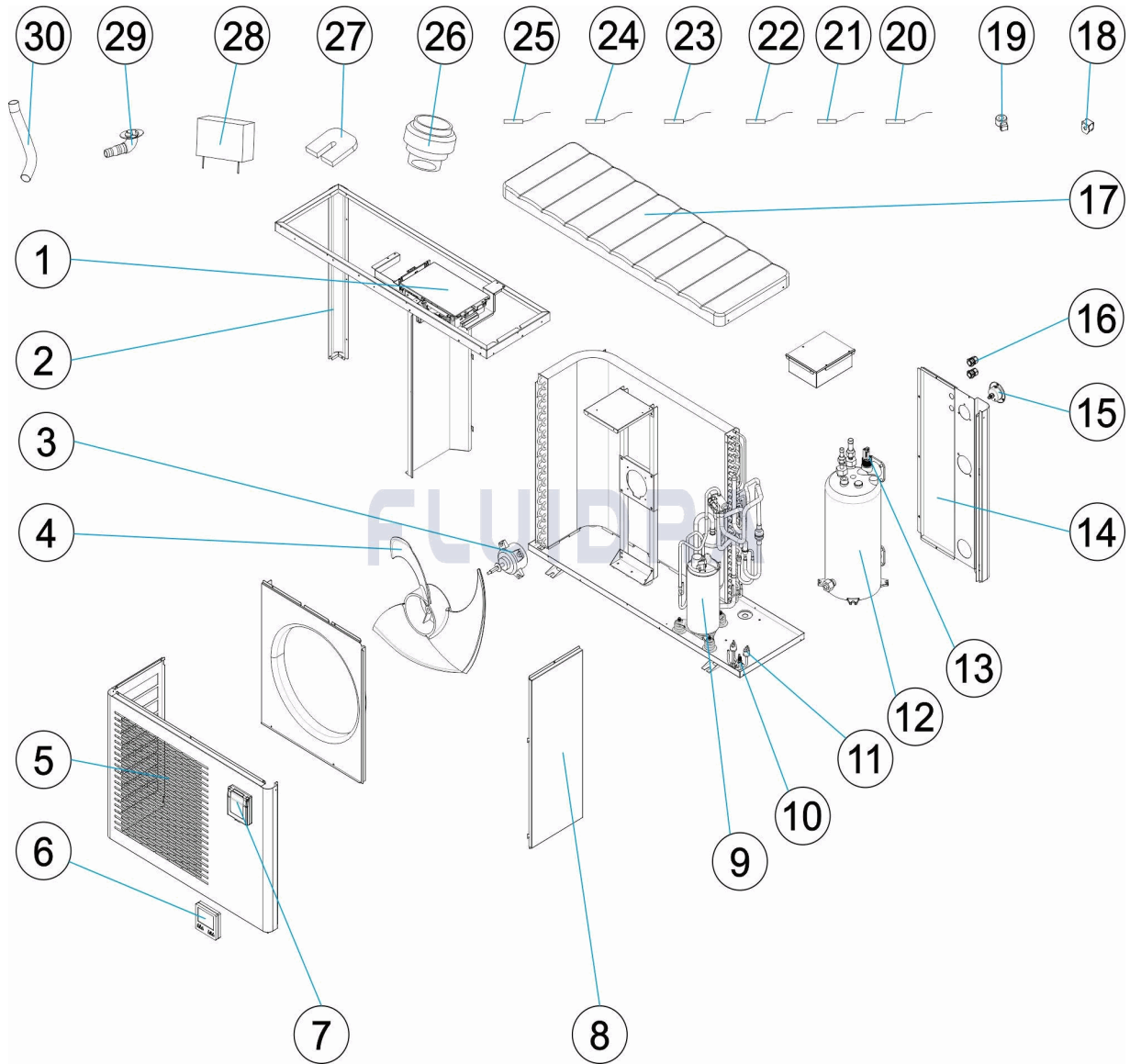
1646

FECHA: 21/12/2021

HOJA: 1/3

CODIGO 75336, 75337, 75338

DESCRIPCION: BOMBA DE CALOR VSN 07-09-13



ESPAÑOL

POS	CODIGO	DESCRIPCION	CANTIDAD	POS	CODIGO	DESCRIPCION	CANTIDAD
1	* 75336R0021	PLACA BASE PCB		12	* 75312R0006	INTERCAMBIADOR DE TITANIO	
1	* 75338R0021	PLACA BASE PCB		12	* 75313R0006	INTERCAMBIADOR DE TITANIO	
2	75336R0017	PILAR		13	75336R0005	FLUJOSTATO	
3	75336R0015	MOTOR VENTILADOR		14	* 75336R0004	PANEL TRASERO	
4	75311R0014	ASPAS VENTILADOR		14	* 75338R0004	PANEL TRASERO	
5	75336R0013	PANEL FRONTAL		15	75311R0003	MANOMETRO	
6	75311R0012	CAJA CONTROLADOR IMPERMEABLE		16	75311R0002	PRENSAESTOPAS	
7	75336R0011	CONTROLADOR		17	75336R0001	TAPA SUPERIOR	
8	75336R0010	PANEL DERECHO		18	75336R0023	BOBINA VALVULA DE 4 VIAS	
9	* 75336R0009	COMPRESOR		19	75336R0025	BOBINA EEV	
9	* 75337R0009	COMPRESOR		20	75336R0037	SENSOR TEMPERATURA SUCCIÓN GAS	
9	* 75338R0009	COMPRESOR		21	75336R0026	SENSOR TEMPERATURA SORTIDA AIGUA	
10	75336R0007	DETECTOR DE PRESIÓN BAJA		22	75336R0028	SENSOR TEMPERATURA ENTRADA AGUA	

* NOTA OBSERVACIONES

DESPIECE

REV: 0

1646

FECHA: 21/12/2021

HOJA: 2/3

CODIGO **75336, 75337, 75338**DESCRIPCION: **BOMBA DE CALOR VSN 07-09-13**

11	75336R0008	DETECTOR DE PRESIÓN ALTA	23	75336R0029	SENSOR TEMPERATURA AMBIENTE
12	* 75311R0006	INTERCAMBIADOR DE TITANIO	24	75336R0030	SENSOR TEMPERATURA EVAPORADOR
25	75336R0031	SENSOR TEMPERATURA DESCARGA GAS	28	75311R0036	CUBIERTA DE INVIERNO
26	75311R0032	KIT DE CONEXIÓN AGUA	29	75311R0034	BOQUILLA DE AGUA
27	75311R0035	PIES ANTIVIBRATORIOS	30	75311R0033	MANGUERA DE DRENAJE

DESPIECE

REV: 0

1646

FECHA: 21/12/2021

HOJA: 3/3

CODIGO **75336, 75337, 75338**DESCRIPCION: **BOMBA DE CALOR VSN 07-09-13**

OBSERVACIONES

POS	CODIGO	OBSERVACIONES
1	* 75336R0021	PARA: 75336, 75337
1	* 75338R0021	PARA: 75338
9	* 75336R0009	PARA: 75336
9	* 75337R0009	PARA: 75337
9	* 75338R0009	PARA: 75338
12	* 75311R0006	PARA: 75336
12	* 75312R0006	PARA: 75337
12	* 75313R0006	PARA: 75338
14	* 75336R0004	PARA: 75336, 75337
14	* 75338R0004	PARA: 75338

ÉCLATÉ

REV.: 0

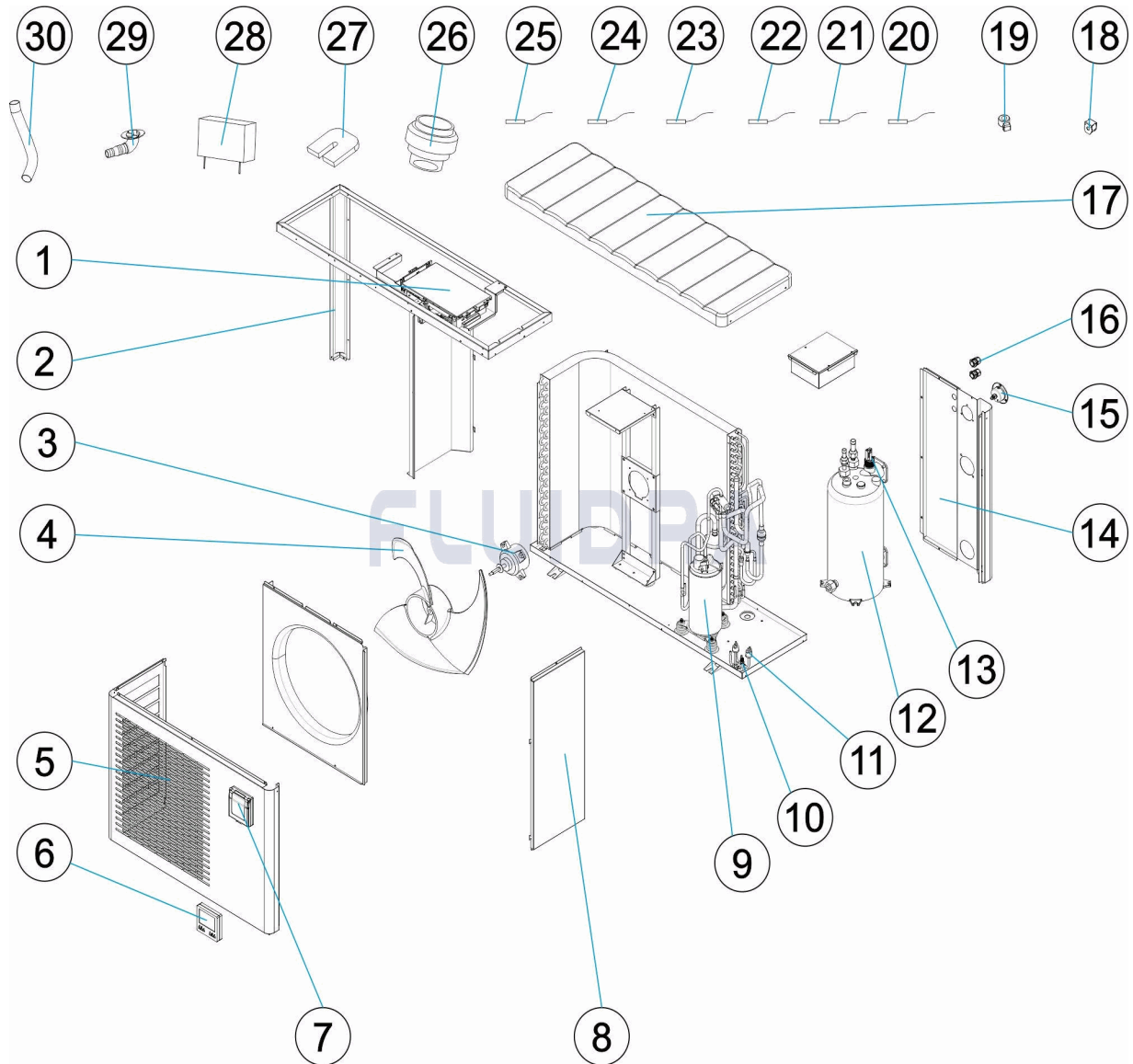
1646

DATE: 21/12/2021

PAG.: 1/3

CODE 75336, 75337, 75338

DESCRIPTION: POMPE À CHALEUR VSN 07-09-13



FRANCAIS

POS	CODE	DESCRIPTION	QUANTITE	POS	CODE	DESCRIPTION	QUANTITE
1	* 75336R0021	PLAQUE BASE PCB		12	* 75312R0006	ÉCHANGEUR EN TITANE	
1	* 75338R0021	PLAQUE BASE PCB		12	* 75313R0006	ÉCHANGEUR EN TITANE	
2	75336R0017	PILIER		13	75336R0005	CONTROLEUR DE DEBIT	
3	75336R0015	MOTEUR VENTILATEUR		14	* 75336R0004	PANNEAU ARRIERE	
4	75311R0014	PALES VENTILATEUR		14	* 75338R0004	PANNEAU ARRIERE	
5	75336R0013	PANNEAU AVANT		15	75311R0003	MANOMETRE	
6	75311R0012	BOÎTIER CONTRÔLEUR ÉTANCHE		16	75311R0002	PRESSE-ÉTOUPES	
7	75336R0011	CONTRÔLEUR		17	75336R0001	COUVERCLE SUPÉRIEUR	
8	75336R0010	PANNEAU DROIT		18	75336R0023	BOBINE VANNE 4 VOIES	
9	* 75336R0009	COMPRESSEUR		19	75336R0025	BOBINE EEV	
9	* 75337R0009	COMPRESSEUR		20	75336R0037	CAPTEUR TEMPÉRATURE ASPIRATION GA	
9	* 75338R0009	COMPRESSEUR		21	75336R0026	CAPTEUR TEMPÉRATURE EAU SORTIE	
10	75336R0007	DÉTECTEUR BASSE PRESSION		22	75336R0028	CAPTEUR TEMPÉRATURE ARRIVÉE D'EAU	

* VOIR FICHE D'OBSERVATIONS

ÉCLATÉ

REV.: 0

1646

DATE: 21/12/2021

PAG.: 2/3

CODE **75336, 75337, 75338**DESCRIPTION: **POMPE À CHALEUR VSN 07-09-13**

11	75336R0008	DÉTECTEUR HAUTE PRESSION	23	75336R0029	CAPTEUR TEMPÉRATURE AMBIANT
12	* 75311R0006	ÉCHANGEUR EN TITANE	24	75336R0030	CAPTEUR TEMPÉRATURE ÉVAPORATEUR
25	75336R0031	CAPTEUR TEMPÉRATURE DÉCHARGE GA	28	75311R0036	COUVERTURE D'HIVERNAGE
26	75311R0032	ENSEMBLES CONNEXION D'EAU	29	75311R0034	BUSE D'EAU
27	75311R0035	PIEDS ANTI-VIBRATION	30	75311R0033	TUYAU DE DRAINAGE

ÉCLATÉ

REV.: 0

1646

DATE: 21/12/2021

PAG.: 3/3

CODE **75336, 75337, 75338**DESCRIPTION: **POMPE À CHALEUR VSN 07-09-13**

OBSERVATIONS

POS	CODE	OBSERVATIONS
1	* 75336R0021	POUR: 75336, 75337
1	* 75338R0021	POUR: 75338
9	* 75336R0009	POUR: 75336
9	* 75337R0009	POUR: 75337
9	* 75338R0009	POUR: 75338
12	* 75311R0006	POUR: 75336
12	* 75312R0006	POUR: 75337
12	* 75313R0006	POUR: 75338
14	* 75336R0004	POUR: 75336, 75337
14	* 75338R0004	POUR: 75338

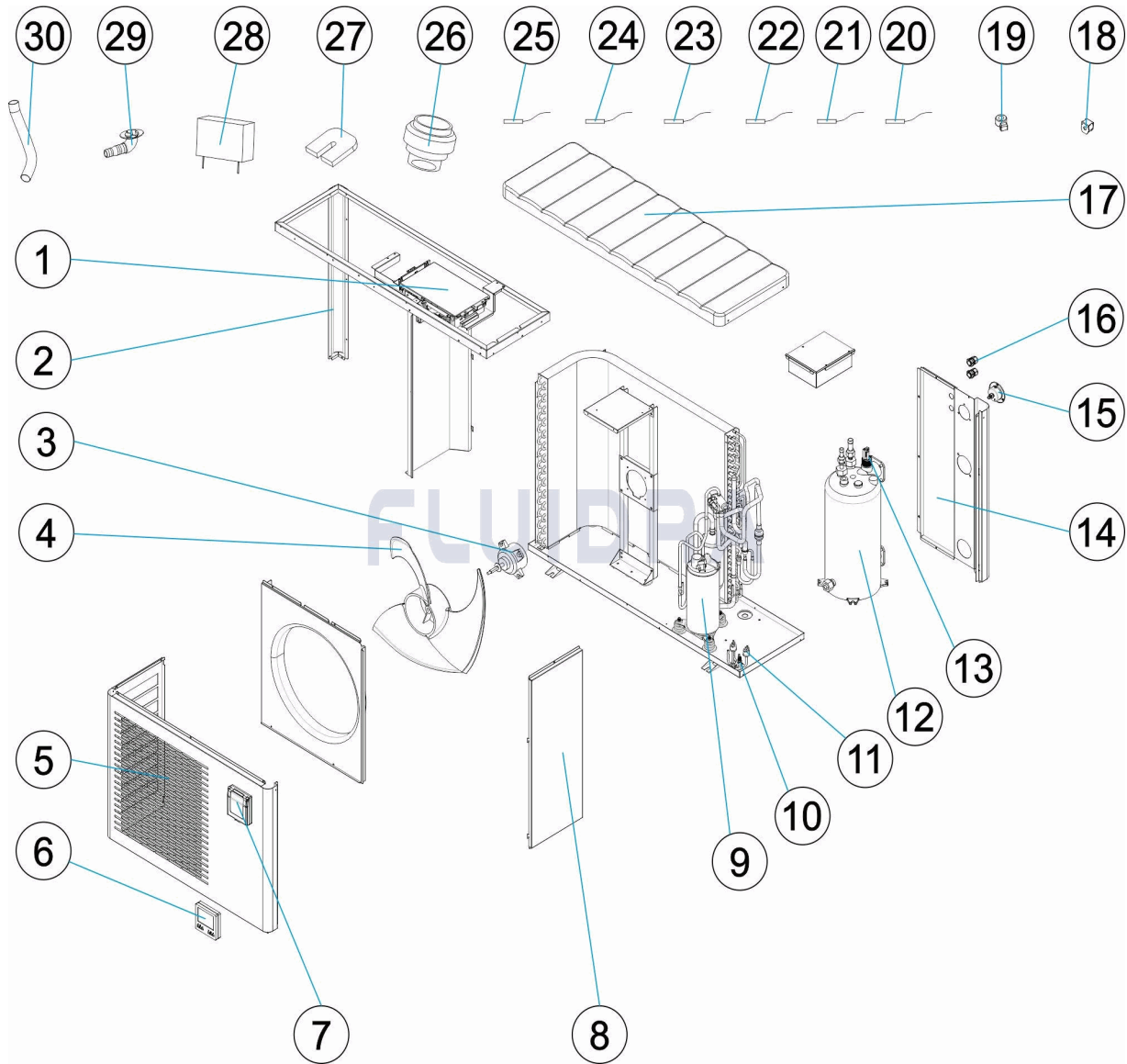
PARTS BREAKDOWN

REV.: 0
DATE: 21/12/2021
SHEET: 1/3

1646

CODE 75336, 75337, 75338

DESCRIPTION: HEAT PUMP VSN 07-09-13



ENGLISH

POS	CODE	DESCRIPTION	QUANTITY	POS	CODE	DESCRIPTION	QUANTITY
1	* 75336R0021	PC BOARD		12	* 75312R0006	TITANIUM HEAT EXCHANGER	
1	* 75338R0021	PC BOARD		12	* 75313R0006	TITANIUM HEAT EXCHANGER	
2	75336R0017	PILLAR		13	75336R0005	WATER FLOW SWITCH	
3	75336R0015	FAN MOTOR		14	* 75336R0004	BACK PANEL	
4	75311R0014	FAN BLADE		14	* 75338R0004	BACK PANEL	
5	75336R0013	FRONT PANEL		15	75311R0003	PRESSURE GAUGE	
6	75311R0012	WATERPROOF CONTROLLER BOX		16	75311R0002	CABLE GLANDS	
7	75336R0011	CONTROLLER		17	75336R0001	TOP COVER	
8	75336R0010	RIGHT PANEL		18	75336R0023	4-WAY VALVE COIL	
9	* 75336R0009	COMPRESSORE		19	75336R0025	EEV COIL	
9	* 75337R0009	COMPRESSORE		20	75336R0037	GAS SUCTION TEMPERATURE SENSOR	
9	* 75338R0009	COMPRESSORE		21	75336R0026	WATER OUTLET TEMPERATURE SENSOR	
10	75336R0007	LOW PRESSURE SWITCH		22	75336R0028	WATER INLET TEMPERATURE SENSOR	

* SEE OBSERVATIONS SHEET

PARTS BREAKDOWN

REV.: 0
DATE: 21/12/2021
SHEET: 2/3

1646

CODE **75336, 75337, 75338**

DESCRIPTION: **HEAT PUMP VSN 07-09-13**

11	75336R0008	HIGH PRESSURE SWITCH	23	75336R0029	AMBIENT TEMPERATURE SENSOR
12	* 75311R0006	TITANIUM HEAT EXCHANGER	24	75336R0030	WATER INLET TEMPERATURE EVAPORATO
25	75336R0031	GAS DISCHARGE TEMPERATURE SENSO	28	75311R0036	WINTER COVER
26	75311R0032	WATER CONNECTION SETS	29	75311R0034	WATER NOZZLE
27	75311R0035	ANTI-VIBRATION FEET	30	75311R0033	DRAIN HOSE

* SEE OBSERVATIONS SHEET

PARTS BREAKDOWN

REV.: 0

1646

DATE: 21/12/2021

SHEET: 3/3

CODE **75336, 75337, 75338**DESCRIPTION: **HEAT PUMP VSN 07-09-13**

OBSERVATIONS

POS	CODE	OBSERVATIONS
1	* 75336R0021	FOR: 75336, 75337
1	* 75338R0021	FOR: 75338
9	* 75336R0009	FOR: 75336
9	* 75337R0009	FOR: 75337
9	* 75338R0009	FOR: 75338
12	* 75311R0006	FOR: 75336
12	* 75312R0006	FOR: 75337
12	* 75313R0006	FOR: 75338
14	* 75336R0004	FOR: 75336, 75337
14	* 75338R0004	FOR: 75338

ESPLOSO

REV.: 0

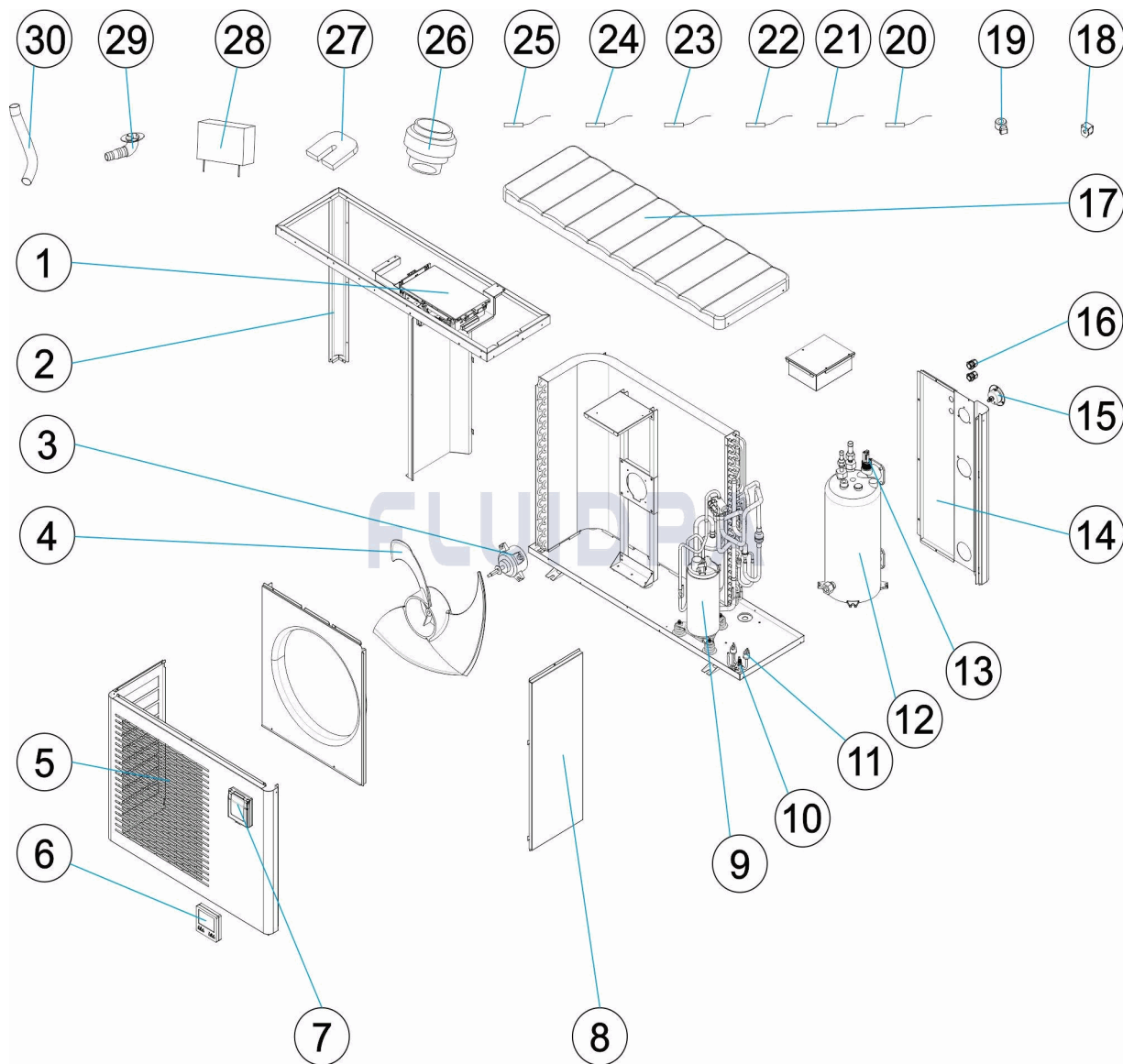
1646

DATA: 21/12/2021

PAG.: 1/3

CODICE 75336, 75337, 75338

DESCRIZIONE: POMPA DI CALORE VSN 07-09-13



ITALIANO

POS	CODICE	DESCRIZIONE	QUANTITA'	POS	CODICE	DESCRIZIONE	QUANTITA'
1	* 75336R0021	SCHEDA BASE PCB		12	* 75312R0006	INTERCAMBIATORE IN TITANIO	
1	* 75338R0021	SCHEDA BASE PCB		12	* 75313R0006	INTERCAMBIATORE IN TITANIO	
2	75336R0017	PILASTRO		13	75336R0005	FLUSSOSTATO	
3	75336R0015	MOTORE VENTOLA		14	* 75336R0004	PANNELLO INDIETRO	
4	75311R0014	PALE VENTILATORE		14	* 75338R0004	PANNELLO INDIETRO	
5	75336R0013	PANNELLO FRONTALE		15	75311R0003	MANOMETRO	
6	75311R0012	SCATOLA CONTROLLO IMPERMEABILE		16	75311R0002	PRESSACAVI	
7	75336R0011	CONTROLLATORE		17	75336R0001	COPERCHIO SUPERIORE	
8	75336R0010	PANNELLO DESTRO		18	75336R0023	BOBINA VALVOLA A 4 VIE	
9	* 75336R0009	COMPRESSORE		19	75336R0025	BOBINA EEV	
9	* 75337R0009	COMPRESSORE		20	75336R0037	SENSORE TEMPERATURA ASPIRAZIONE G	
9	* 75338R0009	COMPRESSORE		21	75336R0026	SENSORE TEMPERATURA USCITA ACQUA	
10	75336R0007	RIVELATORE BASSO PRESSIONE		22	75336R0028	SENSORE TEMPERATURA INGRESSO ACQ	

* SI FACCIA RIFERIMENTO AL FOGLIO DELLE OSSERVAZIONI

ESPLOSO

REV.: 0

1646

DATA: 21/12/2021

PAG.: 2/3

CODICE **75336, 75337, 75338**DESCRIZIONE: **POMPA DI CALORE VSN 07-09-13**

11	75336R0008	RILEVATORE DI ALTA PRESSIONE	23	75336R0029	SENSORE TEMPERATURA AMBIENTE
12	* 75311R0006	INTERCAMBIATORE IN TITANIO	24	75336R0030	SENSORE TEMPERATURA EVAPORATORE
25	75336R0031	SENSORE TEMPERATURA SCARICO GAS	28	75311R0036	COPERTA DI INVERNO
26	75311R0032	SET CONNESSIONE DELL'ACQUA	29	75311R0034	UGELLO DELL'ACQUA
27	75311R0035	PIEDINI ANTIVIBRAZIONE	30	75311R0033	TUBO DI SCARICO

ESPLOSO

REV.: 0
DATA: 21/12/2021
PAG.: 3/3

1646

CODICE **75336, 75337, 75338**

DESCRIZIONE: **POMPA DI CALORE VSN 07-09-13**

OSSERVAZIONI

POS	CODICE	OSSERVAZIONI
1	* 75336R0021	PER: 75336, 75337
1	* 75338R0021	PER: 75338
9	* 75336R0009	PER: 75336
9	* 75337R0009	PER: 75337
9	* 75338R0009	PER: 75338
12	* 75311R0006	PER: 75336
12	* 75312R0006	PER: 75337
12	* 75313R0006	PER: 75338
14	* 75336R0004	PER: 75336, 75337
14	* 75338R0004	PER: 75338

EINZELTEILE

ÜBER.: 0

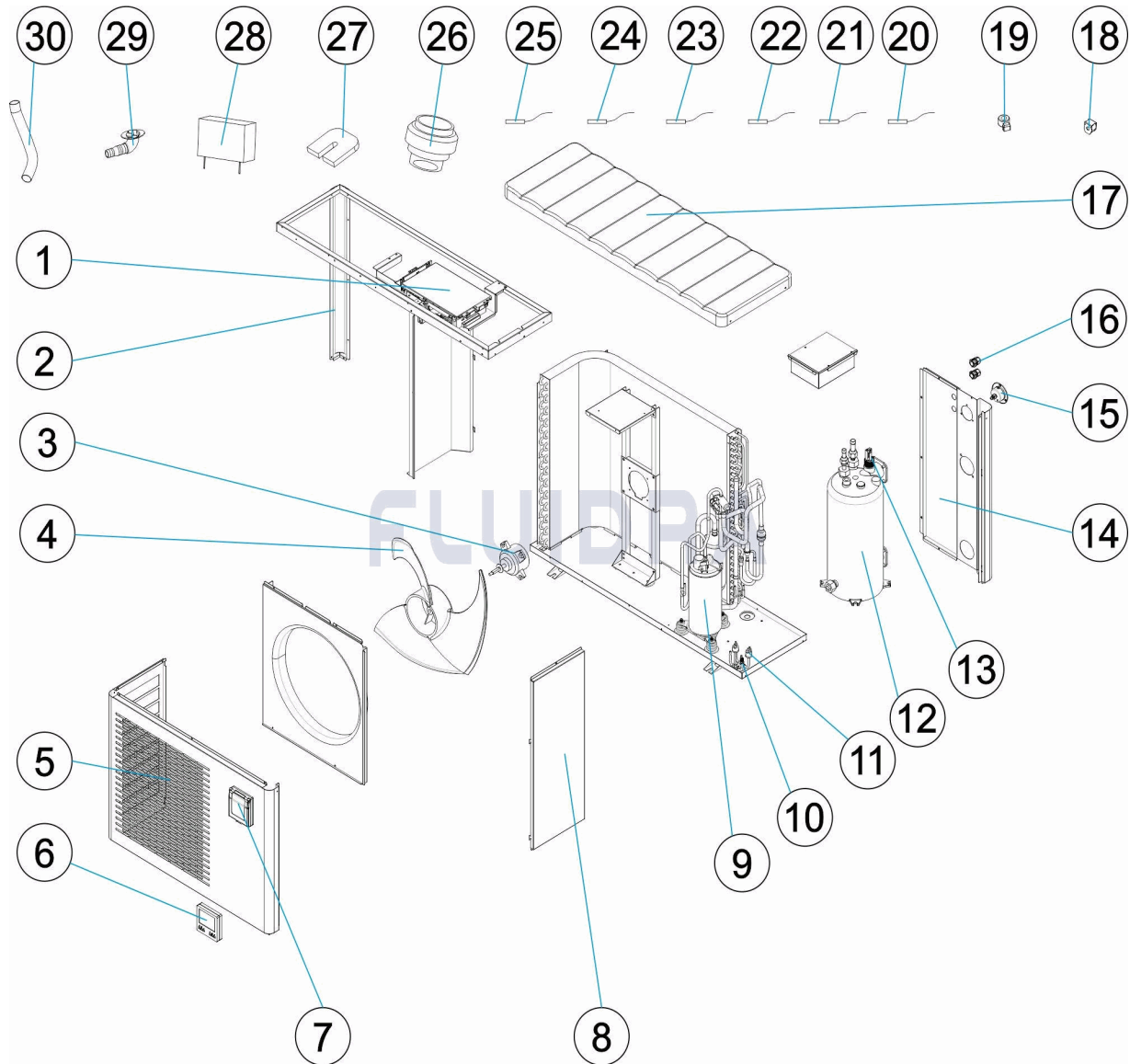
1646

DATUM: 21/12/2021

BLATT: 1/3

CODE 75336, 75337, 75338

BESCHREIBUNG: WÄRMEPUMPE VSN 07-09-13



DEUTSCH

POS	CODE	BESCHREIBUNG	MENGE	POS	CODE	BESCHREIBUNG	MENGE
1	* 75336R0021	BASISPLATTE PCB		12	* 75312R0006	WÄRMEÜBERTRAGER TITANIUM	
1	* 75338R0021	BASISPLATTE PCB		12	* 75313R0006	WÄRMEÜBERTRAGER TITANIUM	
2	75336R0017	SÄULE		13	75336R0005	DURCHFLUSSMESSER	
3	75336R0015	LÜFTERMOTOR		14	* 75336R0004	FÜHRERHAUSRÜCKWAND	
4	75311R0014	ROTORBLÄTTER VENTILATOR		14	* 75338R0004	FÜHRERHAUSRÜCKWAND	
5	75336R0013	FRONTPLATTE		15	75311R0003	MANOMETER	
6	75311R0012	WASSERDICHTHE STEUERUNGSBOX		16	75311R0002	KABELVERSCHRAUBUNGEN	
7	75336R0011	STEUERUNG		17	75336R0001	ABDECKUNG OBEN	
8	75336R0010	RECHTENPLATTE		18	75336R0023	SPULE 4-WEGE-VENTIL	
9	* 75336R0009	KOMPRESSOR		19	75336R0025	SPULE EEV	
9	* 75337R0009	KOMPRESSOR		20	75336R0037	GASANSAUG TEMPERATURFÜHLER	
9	* 75338R0009	KOMPRESSOR		21	75336R0026	WASSERABFLUSS TEMPERATURFÜHLER	
10	75336R0007	DETEKTOR NIEDERDRUCK		22	75336R0028	WASSERZUFLUSS TEMPERATURFÜHLER	

* SIEHE ANMERKUNGSBLATT

EINZELTEILE

ÜBER.: 0

1646

DATUM: 21/12/2021

BLATT: 2/3

CODE **75336, 75337, 75338**BESCHREIBUNG: **WÄRMEPUMPE VSN 07-09-13**

11	75336R0008	DETEKTOR HOCHDRUCK	23	75336R0029	UMGEBUNGS TEMPERATURFÜHLER
12	* 75311R0006	WÄRMEÜBERTRAGER TITANIUM	24	75336R0030	VERDAMPFER TEMPERATURFÜHLER
25	75336R0031	GASDAUER TEMPERATURFÜHLER	28	75311R0036	WINTERDECKEL
26	75311R0032	WASSERANSCHLUSS SET	29	75311R0034	WASSERDÜSE
27	75311R0035	ANTI-VIBRATIONSFÜSSE	30	75311R0033	ABFLUSSSCHLAUCH

EINZELTEILE

ÜBER.: 0

1646

DATUM: 21/12/2021

BLATT: 3/3

CODE **75336, 75337, 75338**BESCHREIBUNG: **WÄRMEPUMPE VSN 07-09-13**

HINWEISE

POS	CODE	HINWEISE
1	* 75336R0021	FÜR: 75336, 75337
1	* 75338R0021	FÜR: 75338
9	* 75336R0009	FÜR: 75336
9	* 75337R0009	FÜR: 75337
9	* 75338R0009	FÜR: 75338
12	* 75311R0006	FÜR: 75336
12	* 75312R0006	FÜR: 75337
12	* 75313R0006	FÜR: 75338
14	* 75336R0004	FÜR: 75336, 75337
14	* 75338R0004	FÜR: 75338

ITEM

REV.: 0

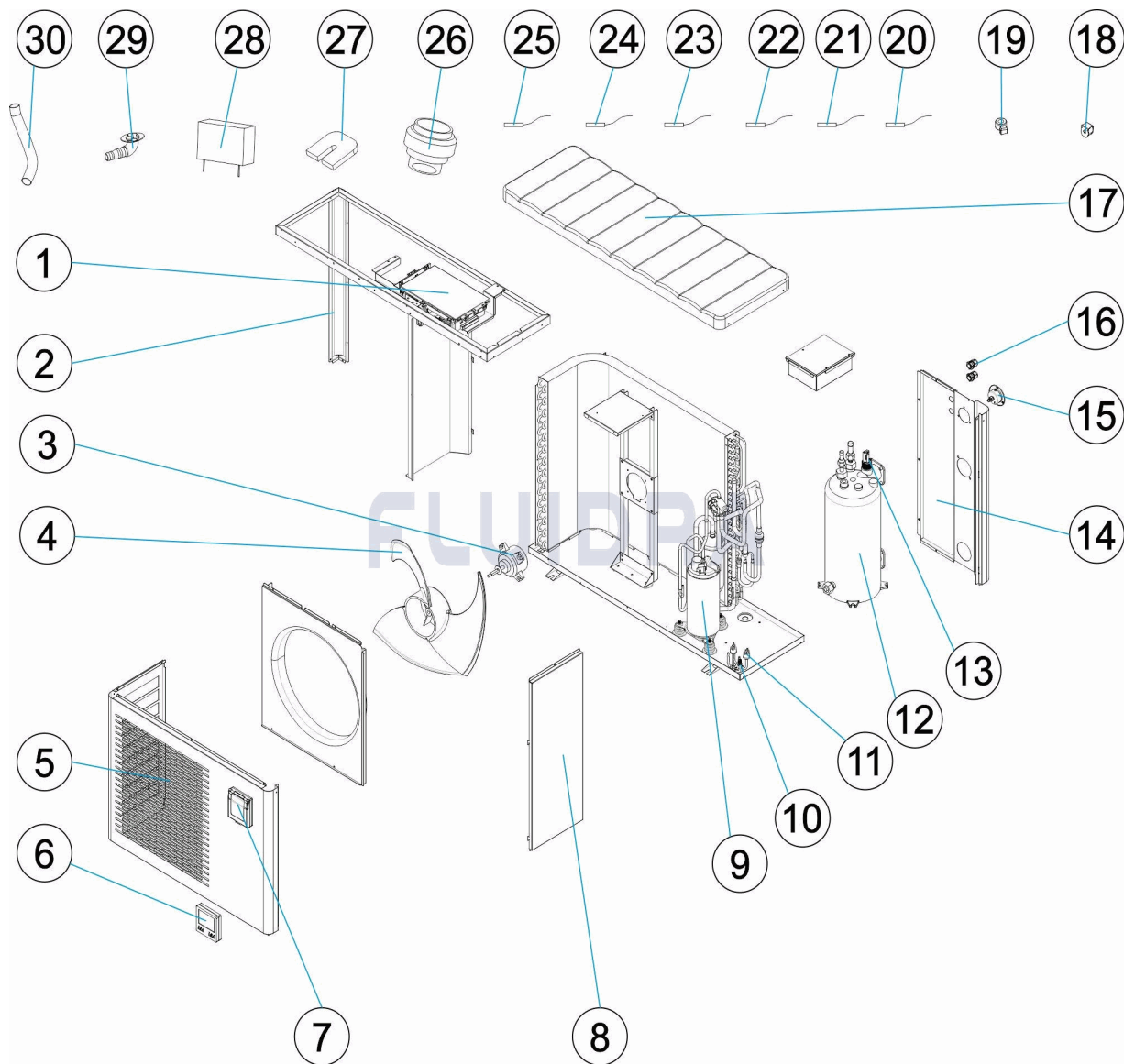
1646

DATA: 21/12/2021

FOLHA: 1/3

CODIGO 75336, 75337, 75338

DESCRIÇÃO: BOMBA DE CALOR VSN 07-09-13



PORTUGUES

POS	CODIGO	DESCRIÇÃO	JANTIDADE	POS	CODIGO	DESCRIÇÃO	JANTIDADE
1	* 75336R0021	PLACA BASE PCB		12	* 75312R0006	PERMUTADOR DE TITÂNIO	
1	* 75338R0021	PLACA BASE PCB		12	* 75313R0006	PERMUTADOR DE TITÂNIO	
2	75336R0017	PILAR		13	75336R0005	FLUXO-ESTATO	
3	75336R0015	MOTOR VENTILADOR		14	* 75336R0004	PAINEL TRASEIRO	
4	75311R0014	PÁS VENTILADOR		14	* 75338R0004	PAINEL TRASEIRO	
5	75336R0013	PAINEL FRONTAL		15	75311R0003	MANOMETRO	
6	75311R0012	CAIXA DE CONTROLE IMPERMEÁVEL		16	75311R0002	PRENSA-CABOS	
7	75336R0011	CONTROLADOR		17	75336R0001	TAMPA SUPERIOR	
8	75336R0010	PAINEL DIREITO		18	75336R0023	BOBINA VÁLVULA DE 4 VIAS	
9	* 75336R0009	COMPRESSOR		19	75336R0025	BOBINA EEV	
9	* 75337R0009	COMPRESSOR		20	75336R0037	SENSOR TEMPERATURA SUÇÃO GÁS	
9	* 75338R0009	COMPRESSOR		21	75336R0026	SENSOR TEMPERATURA SAÍDA ÁGUA	
10	75336R0007	DETECTOR DE BAIXA PRESSÃO		22	75336R0028	SENSOR TEMPERATURA ENTRADA ÁGUA	

* VEJA A FICHA DE OBSERVAÇÕES

ITEM

REV.: 0

1646

DATA: 21/12/2021

FOLHA: 2/3

CODIGO **75336, 75337, 75338**DESCRIÇÃO: **BOMBA DE CALOR VSN 07-09-13**

11	75336R0008	DETECTOR DE ALTA PRESSÃO	23	75336R0029	SENSOR TEMPERATURA AMBIENTE
12	* 75311R0006	PERMUTADOR DE TITÂNIO	24	75336R0030	SENSOR TEMPERATURA EVAPORADOR
25	75336R0031	SENSOR TEMPERATURA DESCARGA GÁS	28	75311R0036	COBERTURA DE INVERNO
26	75311R0032	CONJECTIVOS CONEXÃO DE ÁGUA	29	75311R0034	BOCAL DE ÁGUA
27	75311R0035	PÉS ANTIVIBRAÇÃO	30	75311R0033	MANGUEIRA DE DRENAGEM

* VEJA A FICHA DE OBSERVAÇÕES

ITEM

REV.: 0

1646

DATA: 21/12/2021

FOLHA: 3/3

CODIGO **75336, 75337, 75338**DESCRIÇÃO: **BOMBA DE CALOR VSN 07-09-13**

OBSERVAÇÕES

POS	CODIGO	OBSERVAÇÕES
1	* 75336R0021	PARA: 75336, 75337
1	* 75338R0021	PARA: 75338
9	* 75336R0009	PARA: 75336
9	* 75337R0009	PARA: 75337
9	* 75338R0009	PARA: 75338
12	* 75311R0006	PARA: 75336
12	* 75312R0006	PARA: 75337
12	* 75313R0006	PARA: 75338
14	* 75336R0004	PARA: 75336, 75337
14	* 75338R0004	PARA: 75338