

DESPIECE

REV: 0

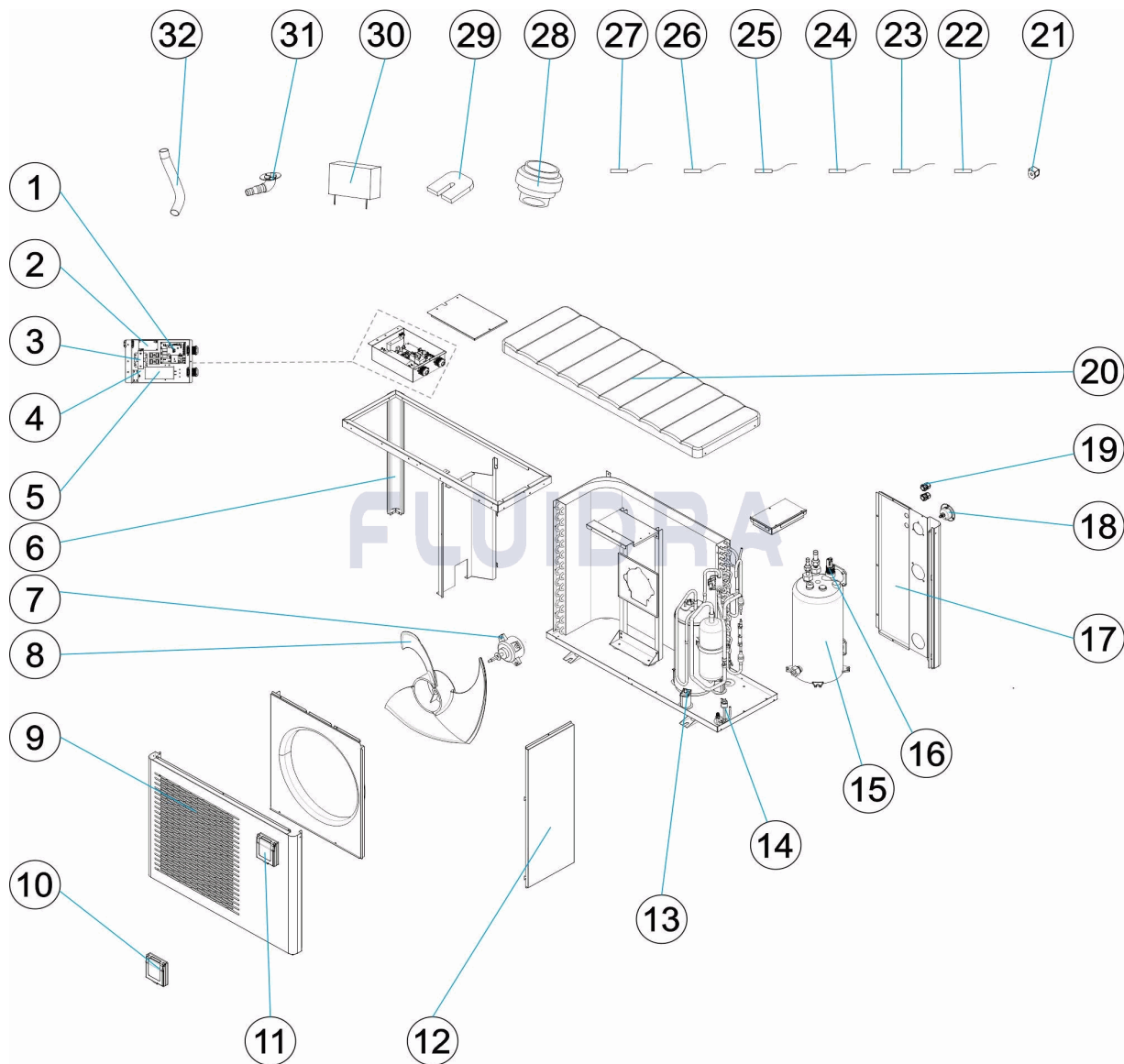
1644

FECHA: 21/12/2021

HOJA: 1/12

CODIGO 75335

DESCRIPCION: BOMBA DE CALOR FSN-15



ESPAÑOL

POS	CODIGO	DESCRIPCION	CANTIDAD	POS	CODIGO	DESCRIPCION	CANTIDAD
1	75335R0020	CONTACTOR		16	75335R0005	FLUJOSTATO	
2	75335R0019	CONDENSADOR MOTOR VENTILADOR		17	75335R0004	PANEL TRASERO	
3	75313R0018	CONDENSADOR MOTOR VENTILADOR		18	75311R0003	MANOMETRO	
4	75311R0021	PLACA BASE PCB		19	75311R0002	PRENSAESTOPAS	
5	75311R0022	PLACA TRANSFORMADOR		20	75313R0001	TAPA SUPERIOR	
6	75311R0017	PILAR		21	75335R0023	BOBINA VALVULA DE 4 VIAS	
7	75313R0015	MOTOR VENTILADOR		22	75335R0024	SENSOR TEMPERATURA SUCCION GAS	
8	75313R0014	ASPAS VENTILADOR		23	75335R0026	SENSOR TEMPERATURA SORTIDA AIGUA	
9	75313R0013	PANEL FRONTAL		24	75335R0028	SENSOR TEMPERATURA ENTRADA AGUA	
10	75311R0012	CAJA CONTROLADOR IMPERMEABLE		25	75311R0029	SENSOR TEMPERATURA AMBIENTE	
11	75311R0011	CONTROLADOR		26	75311R0030	SENSOR TEMPERATURA EVAPORADOR	
12	75311R0010	PANEL DERECHO		27	75311R0031	SENSOR TEMPERATURA DESCARGA GAS	
13	75335R0009	COMPRESOR		28	75311R0032	KIT DE CONEXION AGUA	

DESPIECE

REV: 0

1644

FECHA: 21/12/2021

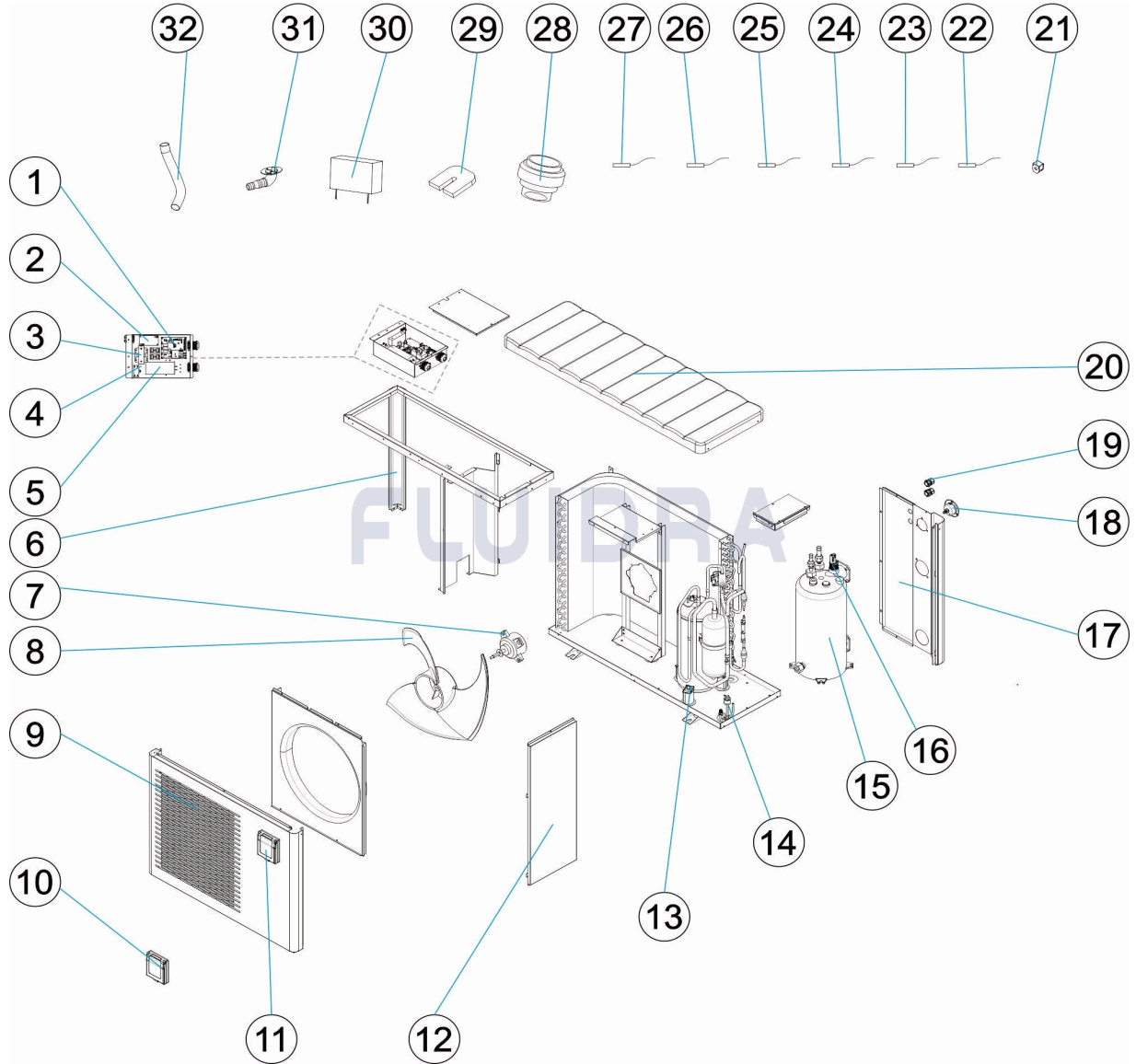
HOJA: 2/12

CODIGO **75335**DESCRIPCION: **BOMBA DE CALOR FSN-15**

14	75335R0007	DETECTOR DE PRESIÓN BAJA	29	75311R0035	PIES ANTIVIBRATORIOS
15	75335R0006	INTERCAMBIADOR DE TITANIO	30	75313R0036	CUBIERTA DE INVIERNO
31	75311R0034	BOQUILLA DE AGUA	32	75311R0033	MANGUERA DE DRENAJE

CODE **75335**

DESCRIPTION: **POMPE À CHALEUR FSN-15**



FRANCAIS

POS	CODE	DESCRIPTION	QUANTITE	POS	CODE	DESCRIPTION	QUANTITE
1	75335R0020	CONTACTEUR		16	75335R0005	CONTROLEUR DE DEBIT	
2	75335R0019	CONDENSATEUR MOTEUR VENTILATEUR		17	75335R0004	PANNEAU ARRIERE	
3	75313R0018	CONDENSATEUR MOTEUR VENTILATEUR		18	75311R0003	MANOMETRE	
4	75311R0021	PLAQUE BASE PCB		19	75311R0002	PRESSE-ÉTOUPES	
5	75311R0022	CARTE TRANSFORMATEUR		20	75313R0001	COUVERCLE SUPÉRIEUR	
6	75311R0017	PILIER		21	75335R0023	BOBINE VANNE 4 VOIES	
7	75313R0015	MOTEUR VENTILATEUR		22	75335R0024	CAPTEUR TEMPÉRATURE ASPIRATION GA	
8	75313R0014	PALES VENTILATEUR		23	75335R0026	CAPTEUR TEMPÉRATURE EAU SORTIE	
9	75313R0013	PANNEAU AVANT		24	75335R0028	CAPTEUR TEMPÉRATURE ARRIVÉE D'EAU	
10	75311R0012	BOÎTIER CONTRÔLEUR ÉTANCHE		25	75311R0029	CAPTEUR TEMPÉRATURE AMBIANT	
11	75311R0011	CONTRÔLEUR		26	75311R0030	CAPTEUR TEMPÉRATURE ÉVAPORATEUR	
12	75311R0010	PANNEAU DROIT		27	75311R0031	CAPTEUR TEMPÉRATURE DÉCHARGE GAZ	
13	75335R0009	COMPRESSEUR		28	75311R0032	ENSEMBLES CONNEXION D'EAU	

ÉCLATÉ

REV.: 0

1644

DATE: 21/12/2021

PAG.: 4/12

CODE **75335**DESCRIPTION: **POMPE À CHALEUR FSN-15**

14	75335R0007	DÉTECTEUR BASSE PRESSION	29	75311R0035	PIEDS ANTI-VIBRATION
15	75335R0006	ÉCHANGEUR EN TITANE	30	75313R0036	COUVERTURE D'HIVERNAGE
31	75311R0034	BUSE D'EAU	32	75311R0033	TUYAU DE DRAINAGE

PARTS BREAKDOWN

REV.: 0

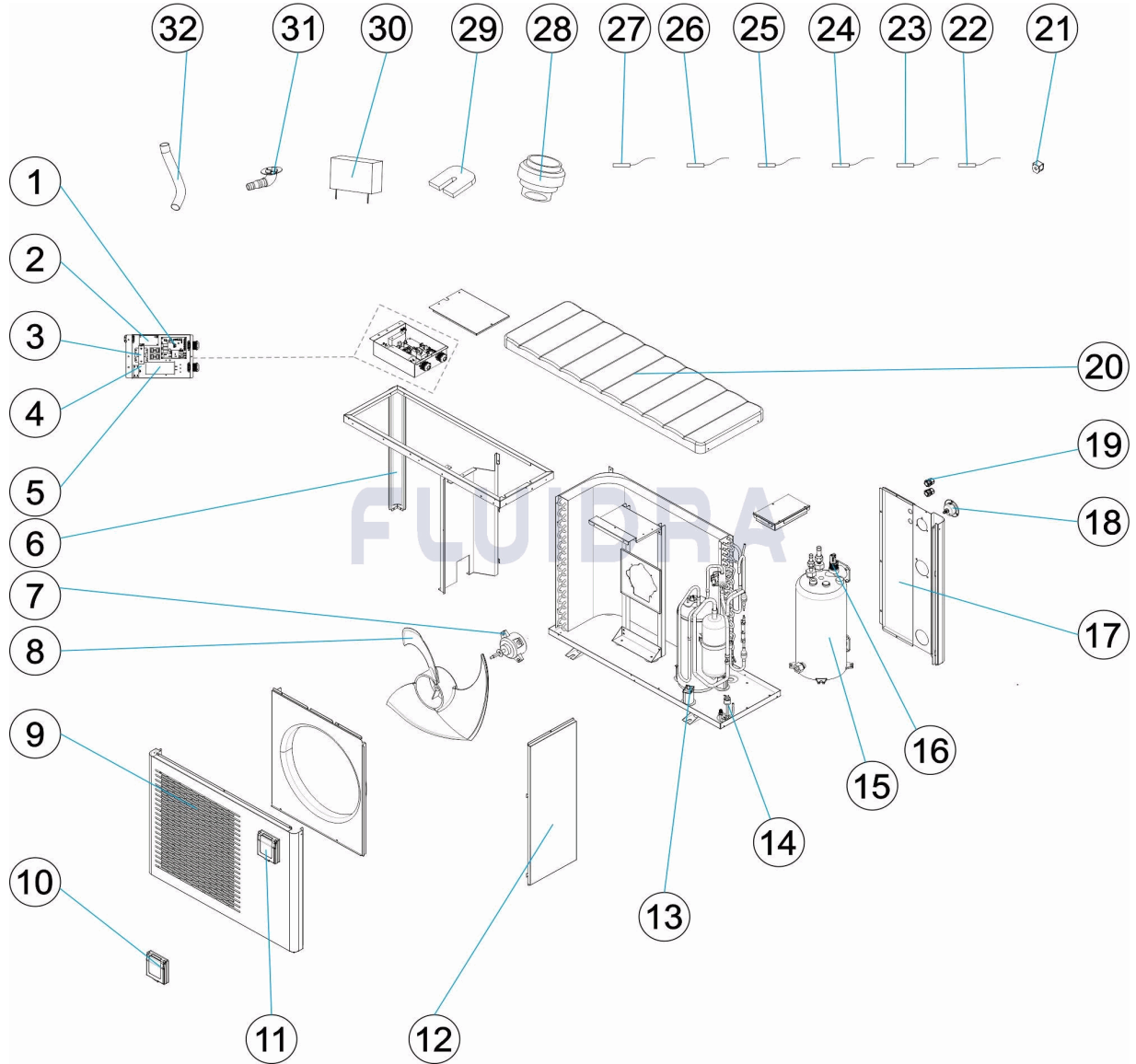
1644

DATE: 21/12/2021

SHEET: 5/12

CODE 75335

DESCRIPTION: HEAT PUMP FSN-15



ENGLISH

POS	CODE	DESCRIPTION	QUANTITY	POS	CODE	DESCRIPTION	QUANTITY
1	75335R0020	CONTACTOR		16	75335R0005	WATER FLOW SWITCH	
2	75335R0019	FAN MOTOR CAPACITANCE		17	75335R0004	BACK PANEL	
3	75313R0018	FAN MOTOR CAPACITANCE		18	75311R0003	PRESSURE GAUGE	
4	75311R0021	PC BOARD		19	75311R0002	CABLE GLANDS	
5	75311R0022	TRANSFORMER BOARD		20	75313R0001	TOP COVER	
6	75311R0017	PILLAR		21	75335R0023	4-WAY VALVE COIL	
7	75313R0015	FAN MOTOR		22	75335R0024	GAS SUCTION TEMPERATURE SENSOR	
8	75313R0014	FAN BLADE		23	75335R0026	WATER OUTLET TEMPERATURE SENSOR	
9	75313R0013	FRONT PANEL		24	75335R0028	WATER INLET TEMPERATURE SENSOR	
10	75311R0012	WATERPROOF CONTROLLER BOX		25	75311R0029	AMBIENT TEMPERATURE SENSOR	
11	75311R0011	CONTROLLER		26	75311R0030	WATER INLET TEMPERATURE EVAPORATO	
12	75311R0010	RIGHT PANEL		27	75311R0031	GAS DISCHARGE TEMPERATURE SENSOR	
13	75335R0009	COMPRESSORE		28	75311R0032	WATER CONNECTION SETS	

PARTS BREAKDOWN

REV.: 0
DATE: 21/12/2021
SHEET: 6/12

1644

CODE **75335**

DESCRIPTION: **HEAT PUMP FSN-15**

14	75335R0007	LOW PRESSURE SWITCH	29	75311R0035	ANTI-VIBRATION FEET
15	75335R0006	TITANIUM HEAT EXCHANGER	30	75313R0036	WINTER COVER
31	75311R0034	WATER NOZZLE	32	75311R0033	DRAIN HOSE

ESPLOSO

REV.: 0

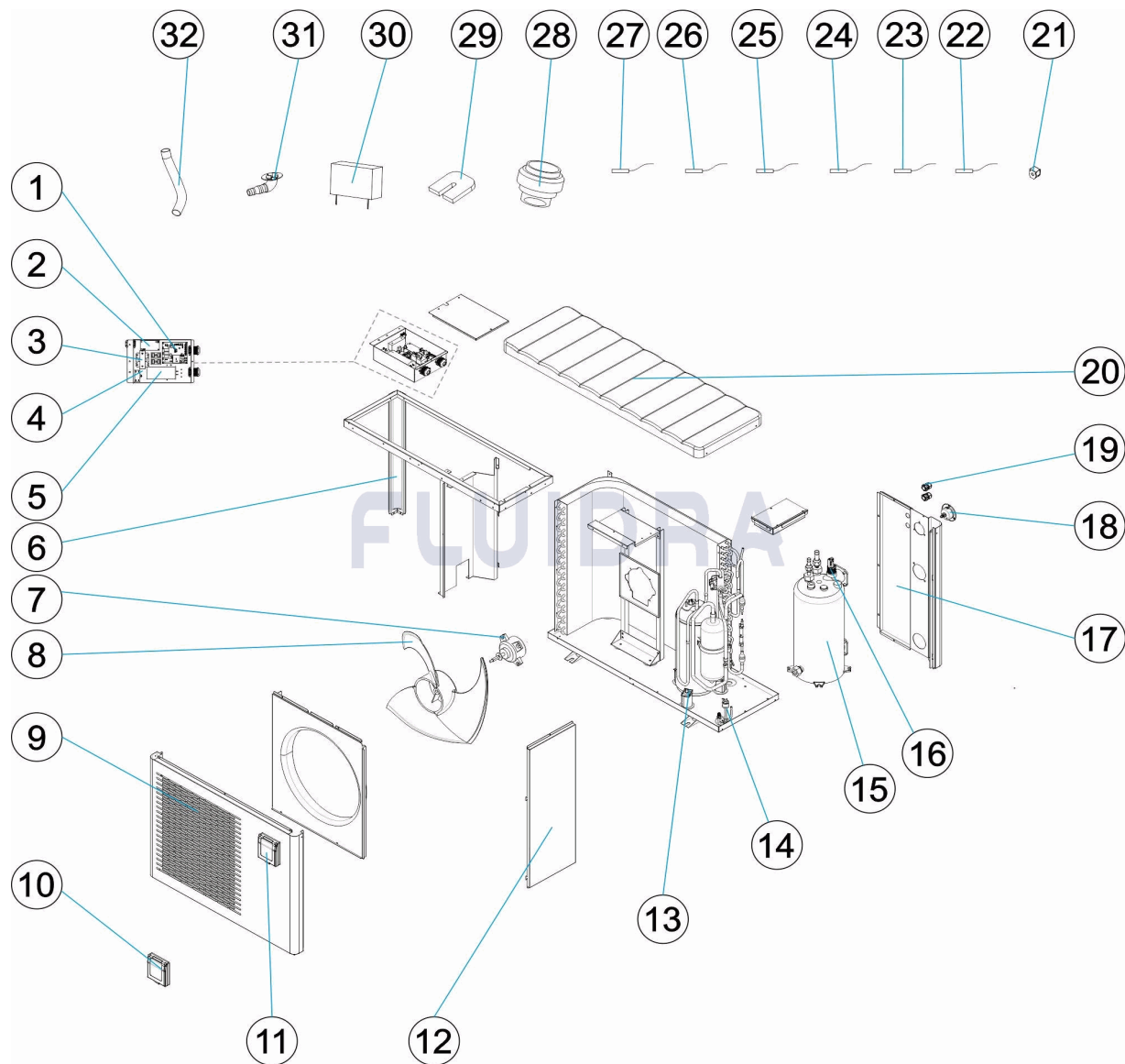
1644

DATA: 21/12/2021

PAG.: 7/12

CODICE 75335

DESCRIZIONE: POMPA DI CALORE FSN-15



ITALIANO

POS	CODICE	DESCRIZIONE	QUANTITA'	POS	CODICE	DESCRIZIONE	QUANTITA'
1	75335R0020	TELERUTTORE		16	75335R0005	FLUSSOSTATO	
2	75335R0019	CONDENSATORE MOTORE VENTOLA		17	75335R0004	PANNELLO INDIETRO	
3	75313R0018	CONDENSATORE MOTORE VENTOLA		18	75311R0003	MANOMETRO	
4	75311R0021	SCHEDA BASE PCB		19	75311R0002	PRESSACAVI	
5	75311R0022	SCHEDA TRASFORMAZIONE		20	75313R0001	COPERCHIO SUPERIORE	
6	75311R0017	PILASTRO		21	75335R0023	BOBINA VALVOLA A 4 VIE	
7	75313R0015	MOTORE VENTOLA		22	75335R0024	SENSORE TEMPERATURA ASPIRAZIONE G	
8	75313R0014	PALE VENTILATORE		23	75335R0026	SENSORE TEMPERATURA USCITA ACQUA	
9	75313R0013	PANNELLO FRONTALE		24	75335R0028	SENSORE TEMPERATURA INGRESSO ACQ	
10	75311R0012	SCATOLA CONTROLLO IMPERMEABILE		25	75311R0029	SENSORE TEMPERATURA AMBIENTE	
11	75311R0011	CONTROLLATORE		26	75311R0030	SENSORE TEMPERATURA EVAPORATORE	
12	75311R0010	PANNELLO DESTRO		27	75311R0031	SENSORE TEMPERATURA SCARICO GAS	
13	75335R0009	COMPRESSORE		28	75311R0032	SET CONNESSIONE DELL'ACQUA	

ESPLOSO

REV.: 0

1644

DATA: 21/12/2021

PAG.: 8/12

CODICE **75335**DESCRIZIONE: **POMPA DI CALORE FSN-15**

14	75335R0007	RIVELATORE BASSO PRESSIONE	29	75311R0035	PIEDINI ANTIVIBRAZIONE
15	75335R0006	INTERCAMBIATORE IN TITANIO	30	75313R0036	COPERTA DI INVERNO
31	75311R0034	UGELLO DELL'ACQUA	32	75311R0033	TUBO DI SCARICO

EINZELTEILE

ÜBER.: 0

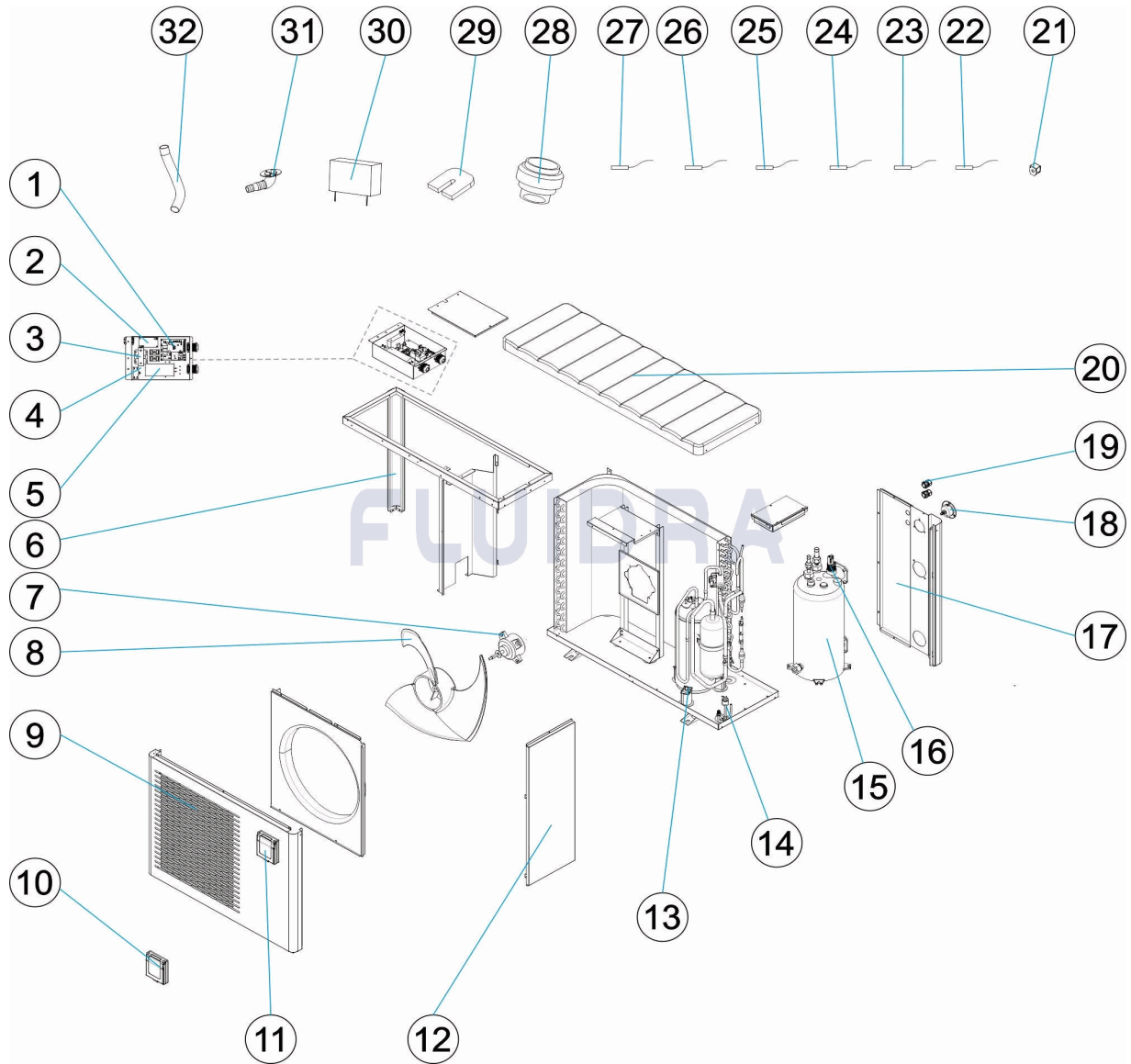
1644

DATUM: 21/12/2021

BLATT: 9/12

CODE 75335

BESCHREIBUNG: WÄRMEPUMPE FSN-15



DEUTSCH

POS	CODE	BESCHREIBUNG	MENGE	POS	CODE	BESCHREIBUNG	MENGE
1	75335R0020	SCHÜTZ		16	75335R0005	DURCHFLUSSMESSER	
2	75335R0019	LÜFTERMOTOR KONDENSATOR		17	75335R0004	FÜHRERHAUSRÜCKWAND	
3	75313R0018	LÜFTERMOTOR KONDENSATOR		18	75311R0003	MANOMETER	
4	75311R0021	BASISPLATTE PCB		19	75311R0002	KABELVERSCHRAUBUNGEN	
5	75311R0022	PLATTEN TRANSFORMATOR		20	75313R0001	ABDECKUNG OBEN	
6	75311R0017	SÄULE		21	75335R0023	SPULE 4-WEGE-VENTIL	
7	75313R0015	LÜFTERMOTOR		22	75335R0024	GASANSAUG TEMPERATURFÜHLER	
8	75313R0014	ROTORBLÄTTER VENTILATOR		23	75335R0026	WASSERABFLUSS TEMPERATURFÜHLER	
9	75313R0013	FRONTPLATTE		24	75335R0028	WASSERZUFLUSS TEMPERATURFÜHLER	
10	75311R0012	WASSERDICHTHE STEUERUNGSBOX		25	75311R0029	UMGEBUNGS TEMPERATURFÜHLER	
11	75311R0011	STEUERUNG		26	75311R0030	VERDAMPFER TEMPERATURFÜHLER	
12	75311R0010	RECHTENPLATTE		27	75311R0031	GASDAUER TEMPERATURFÜHLER	
13	75335R0009	KOMPRESSOR		28	75311R0032	WASSERANSCHLUSS SET	

EINZELTEILE

ÜBER.: 0

1644

DATUM: 21/12/2021

BLATT: 10/12

CODE **75335**BESCHREIBUNG: **WÄRMEPUMPE FSN-15**

14	75335R0007	DETEKTOR NIEDERDRUCK	29	75311R0035	ANTI-VIBRATIONSFÜSSE
15	75335R0006	WÄRMEÜBERTRAGER TITANIUM	30	75313R0036	WINTERDECKEL
31	75311R0034	WASSERDÜSE	32	75311R0033	ABFLUSSSCHLAUCH

ITEM

REV.: 0

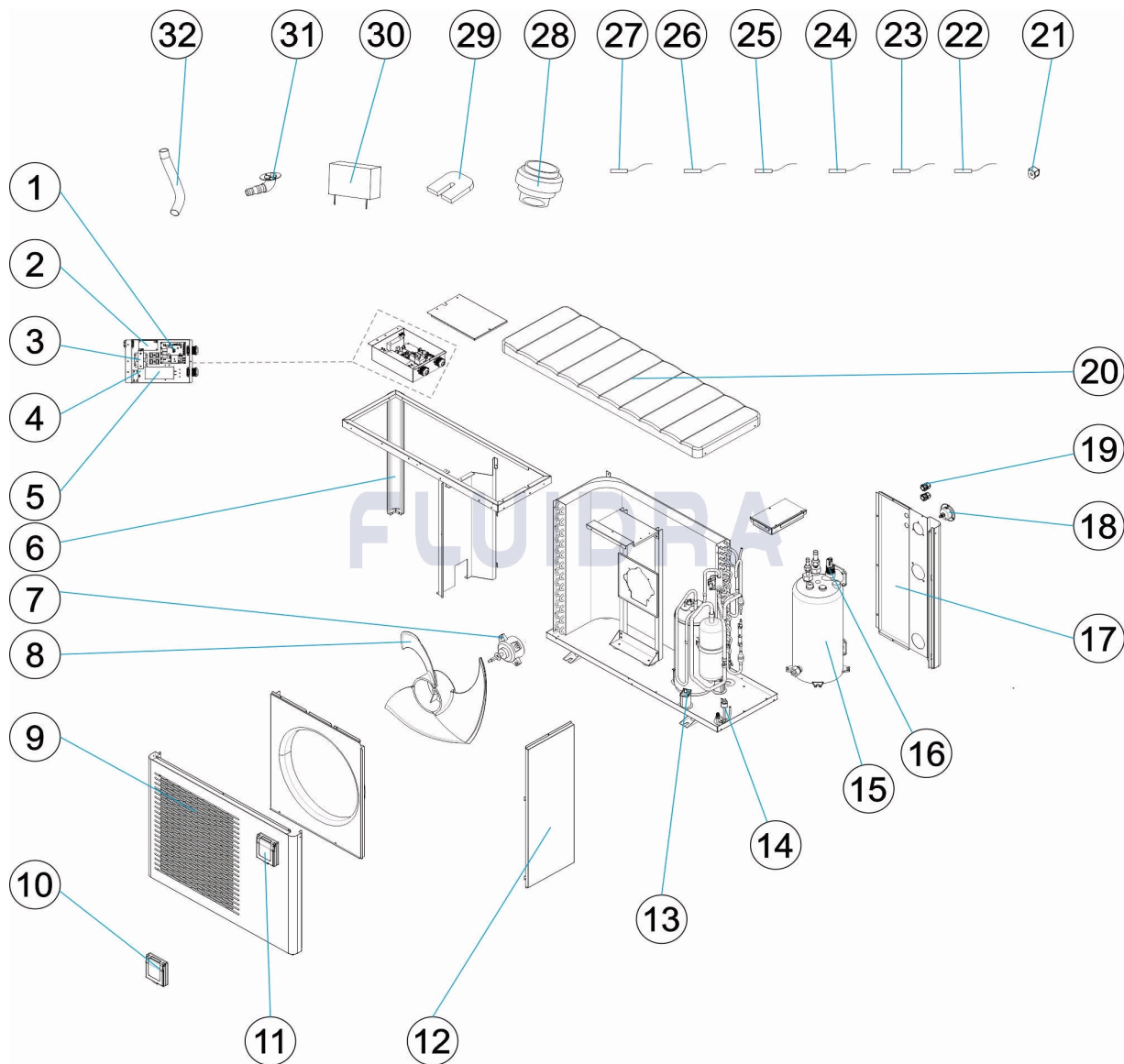
1644

DATA: 21/12/2021

FOLHA: 11/12

CODIGO 75335

DESCRIÇÃO: BOMBA DE CALOR FSN-15



PORTUGUES

POS	CODIGO	DESCRIÇÃO	JANTIDADE	POS	CODIGO	DESCRIÇÃO	JANTIDADE
1	75335R0020	CONTATOR		16	75335R0005	FLUXO-ESTATO	
2	75335R0019	CONDENSADOR MOTOR VENTILADOR		17	75335R0004	PAINEL TRASEIRO	
3	75313R0018	CONDENSADOR MOTOR VENTILADOR		18	75311R0003	MANOMETRO	
4	75311R0021	PLACA BASE PCB		19	75311R0002	PRENSA-CABOS	
5	75311R0022	PLACA TRANSFORMADOR		20	75313R0001	TAMPA SUPERIOR	
6	75311R0017	PILAR		21	75335R0023	BOBINA VÁLVULA DE 4 VIAS	
7	75313R0015	MOTOR VENTILADOR		22	75335R0024	SENSOR TEMPERATURA SUCCÃO GÁS	
8	75313R0014	PÁS VENTILADOR		23	75335R0026	SENSOR TEMPERATURA SAÍDA ÁGUA	
9	75313R0013	PAINEL FRONTAL		24	75335R0028	SENSOR TEMPERATURA ENTRADA ÁGUA	
10	75311R0012	CAIXA DE CONTROLE IMPERMEÁVEL		25	75311R0029	SENSOR TEMPERATURA AMBIENTE	
11	75311R0011	CONTROLADOR		26	75311R0030	SENSOR TEMPERATURA EVAPORADOR	
12	75311R0010	PAINEL DIREITO		27	75311R0031	SENSOR TEMPERATURA DESCARGA GÁS	
13	75335R0009	COMPRESSOR		28	75311R0032	CONJECTIVOS CONEXÃO DE ÁGUA	

ITEM

REV.: 0

1644

DATA: 21/12/2021

FOLHA: 12/12

CODIGO **75335**DESCRIÇÃO: **BOMBA DE CALOR FSN-15**

14	75335R0007	DETECTOR DE BAIXA PRESSÃO	29	75311R0035	PÉS ANTIVIBRAÇÃO
15	75335R0006	PERMUTADOR DE TITÂNIO	30	75313R0036	COBERTURA DE INVERNO
31	75311R0034	BOCAL DE ÁGUA	32	75311R0033	MANGUEIRA DE DRENAGEM